



US00D372965S

United States Patent [19]

[11] Patent Number: **Des. 372,965**

Villeneuve

[45] Date of Patent: ****Aug. 20, 1996**

[54] **TOILET SEAT HOLDER**

[76] Inventor: **Marcel Villeneuve**, 318 Shakespeare Street, Vanier, Ontario, K1L 5M2, Canada

[**] Term: **14 Years**

[21] Appl. No.: **43,566**

[22] Filed: **Sep. 1, 1995**

[52] U.S. Cl. **D23/311**

[58] Field of Search D23/295-299, D23/302-311; 4/233-239, 217, 242, 246.1, 253, 661; D19/35; D8/300, 307, 305, 309, 317

[56] **References Cited**

U.S. PATENT DOCUMENTS

D. 251,378	3/1979	Doyel	D19/35
1,999,555	4/1935	Adams	4/246.1
4,635,515	1/1987	Caputo	D23/309
4,707,870	11/1987	Glassco et al.	4/237

FOREIGN PATENT DOCUMENTS

2158476	11/1985	United Kingdom	4/661
---------	---------	----------------------	-------

Primary Examiner—Louis S. Zarfes
Assistant Examiner—Gregory Andoll
Attorney, Agent, or Firm—George A. Seaby

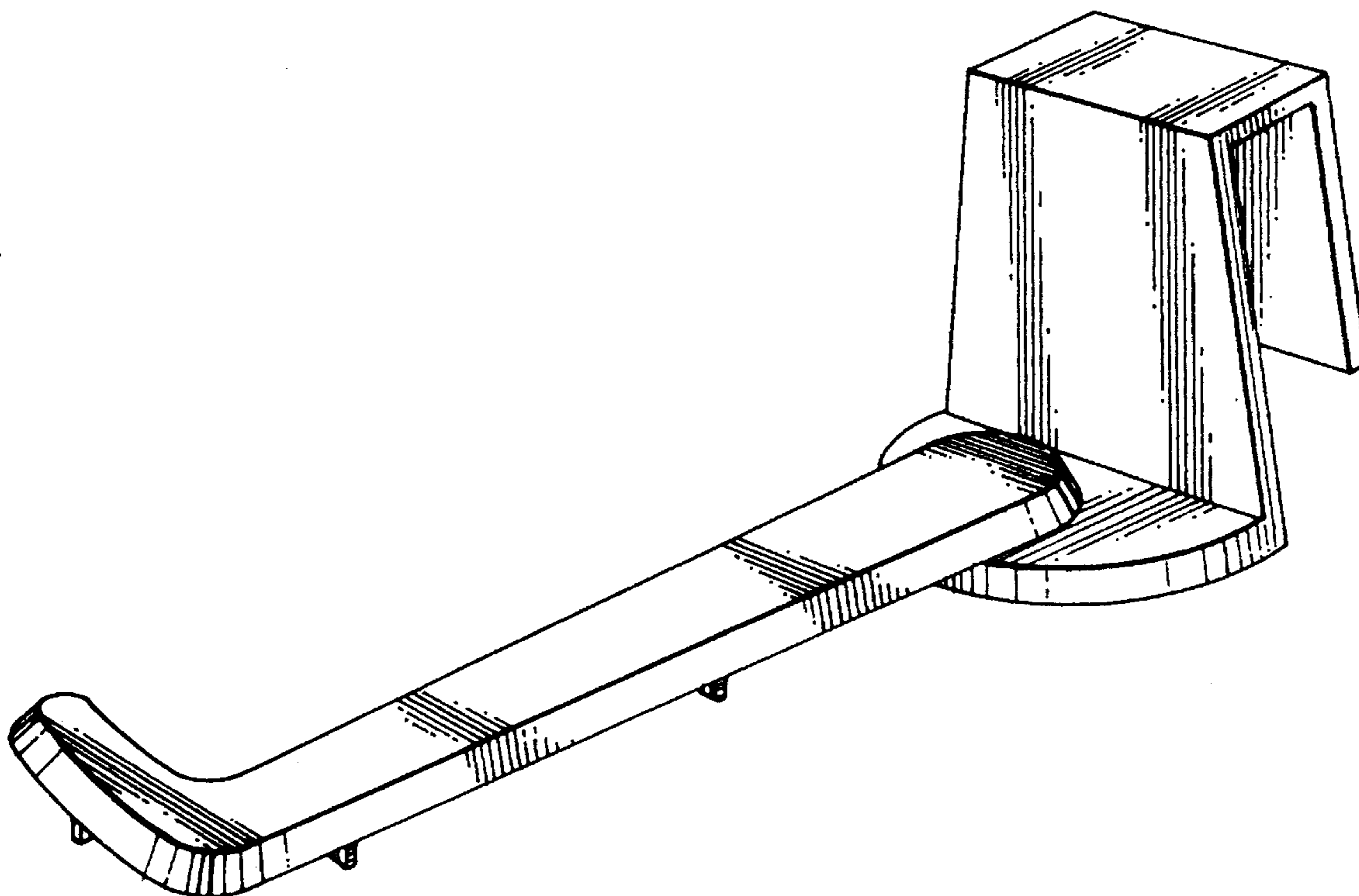
[57] **CLAIM**

The ornamental design for a toilet seat holder, as shown and described.

DESCRIPTION

FIG. 1 is an isometric view of the holder from above and one end showing my new design;
FIG. 2 is an isometric view from above and the other end thereof;
FIG. 3 is a top elevational view thereof;
FIG. 4 is a side elevational view thereof, the other side being a mirror image thereof;
FIG. 5 is a bottom elevational view thereof;
FIG. 6 is an end elevational view of the holder as seen from the left of FIG. 4; and,
FIG. 7 is an end elevational view of the holder as seen from the right of FIG. 4.

1 Claim, 3 Drawing Sheets



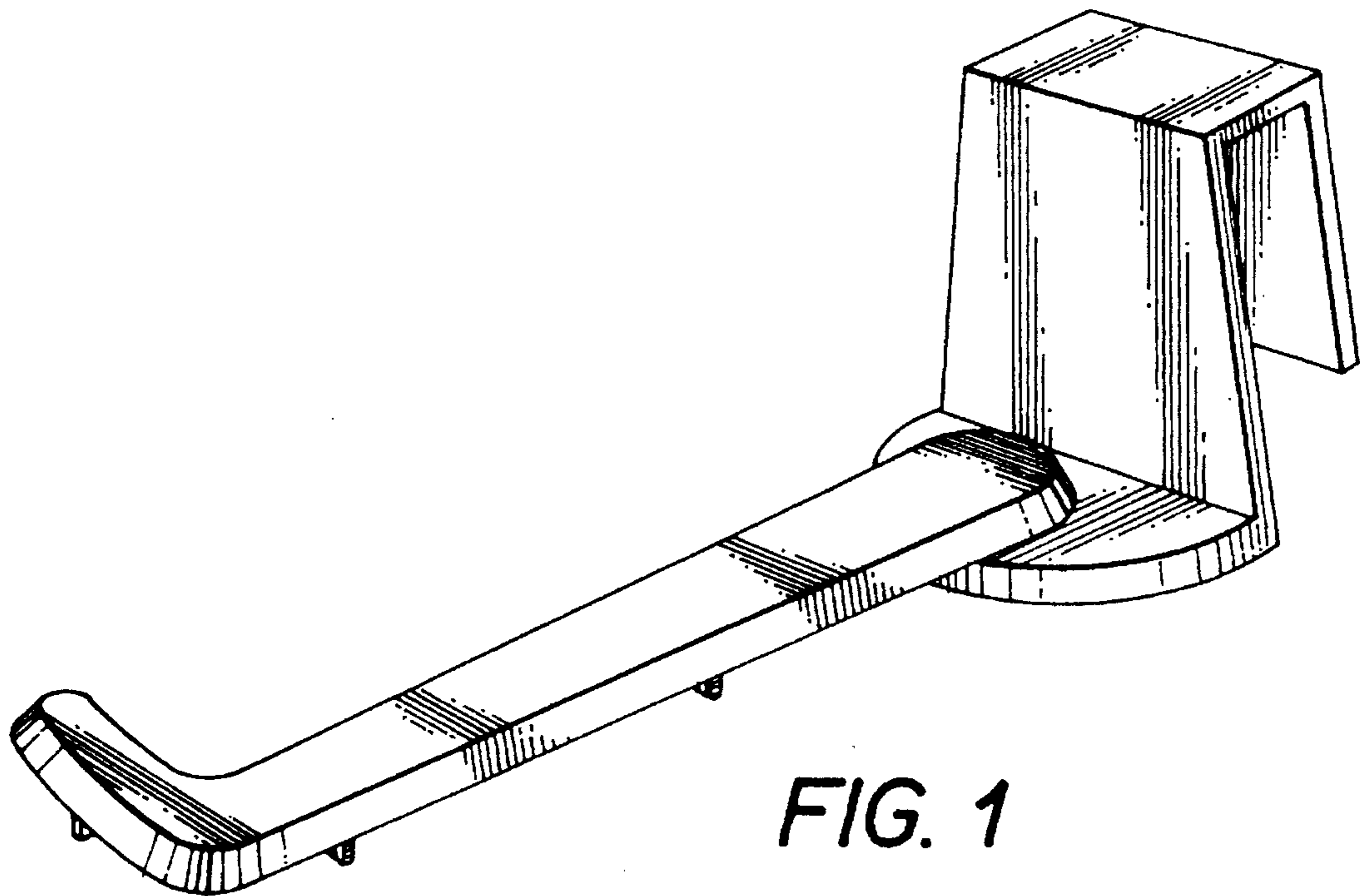


FIG. 1

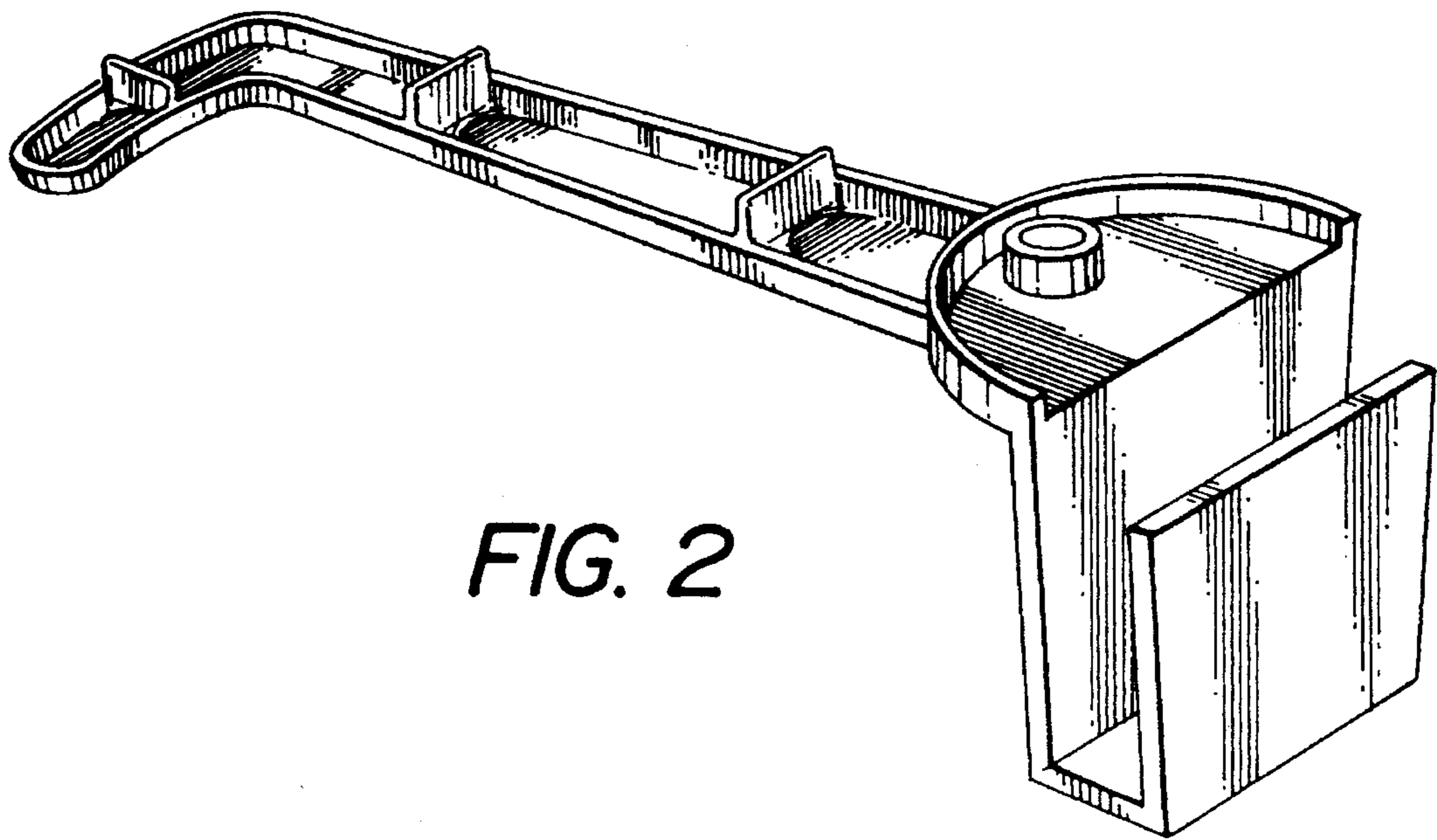
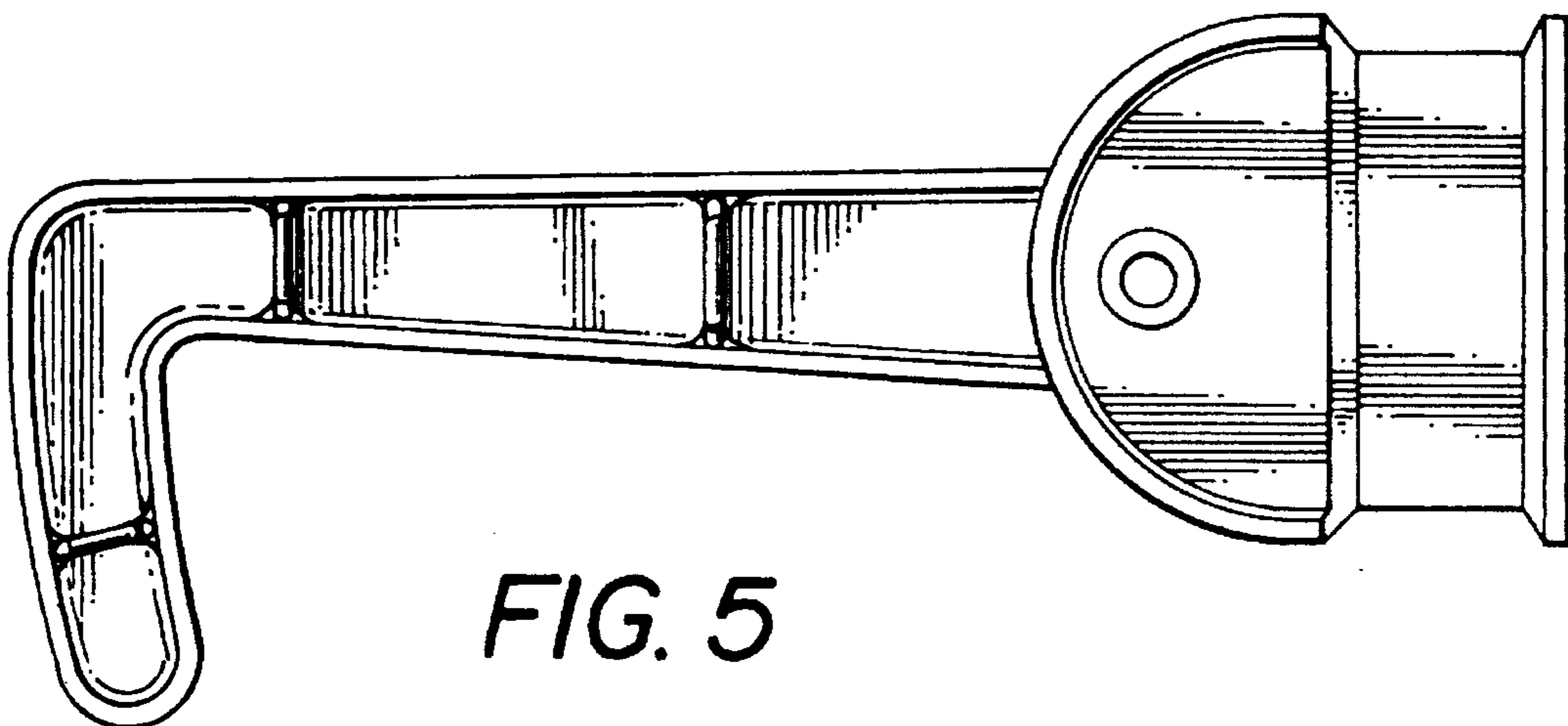
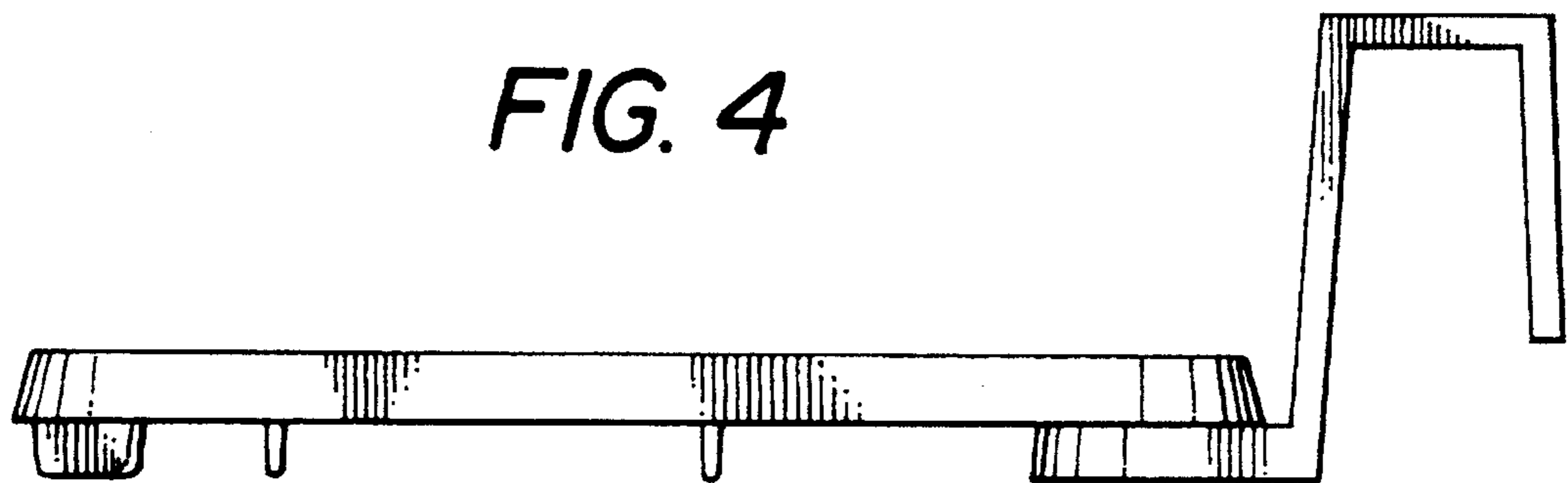
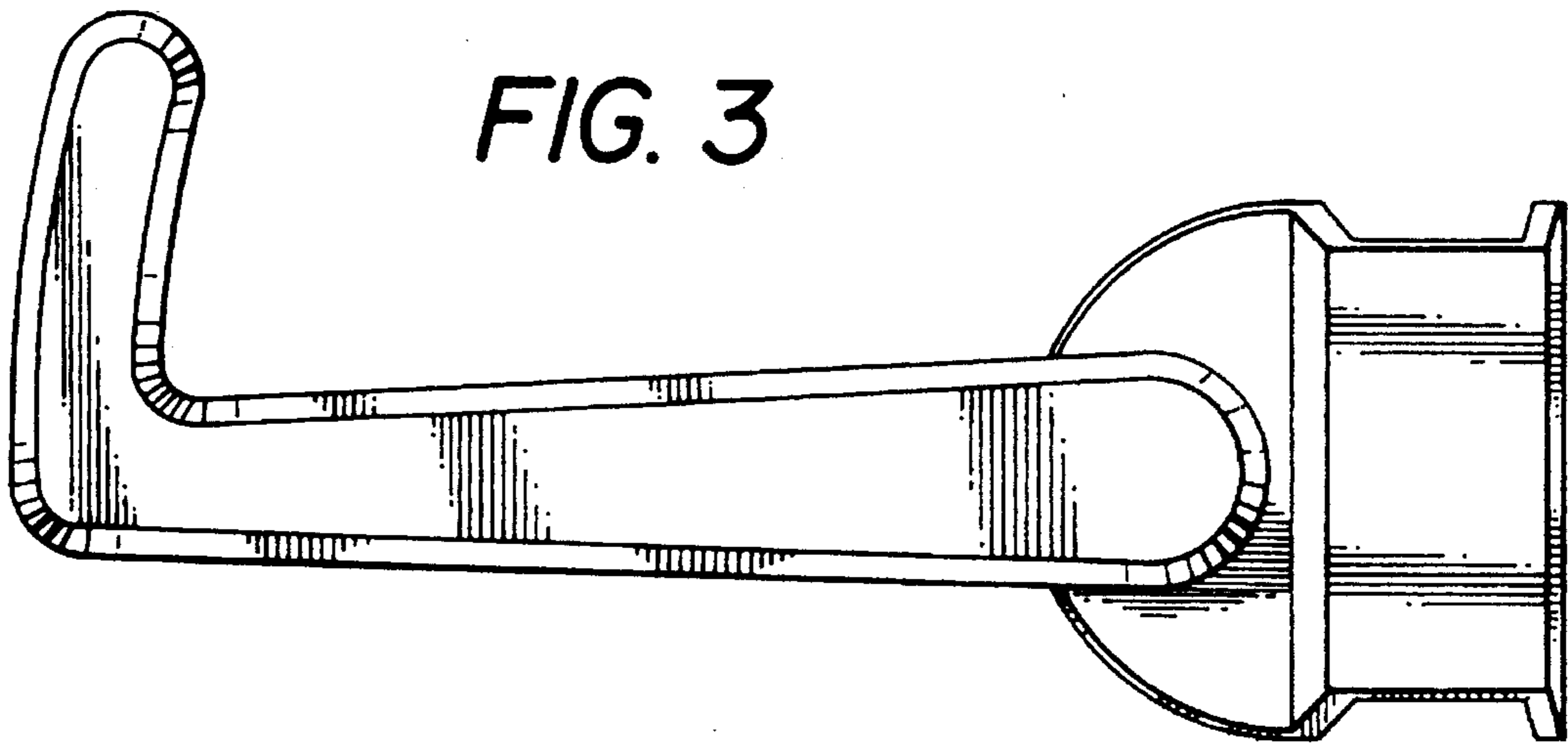


FIG. 2



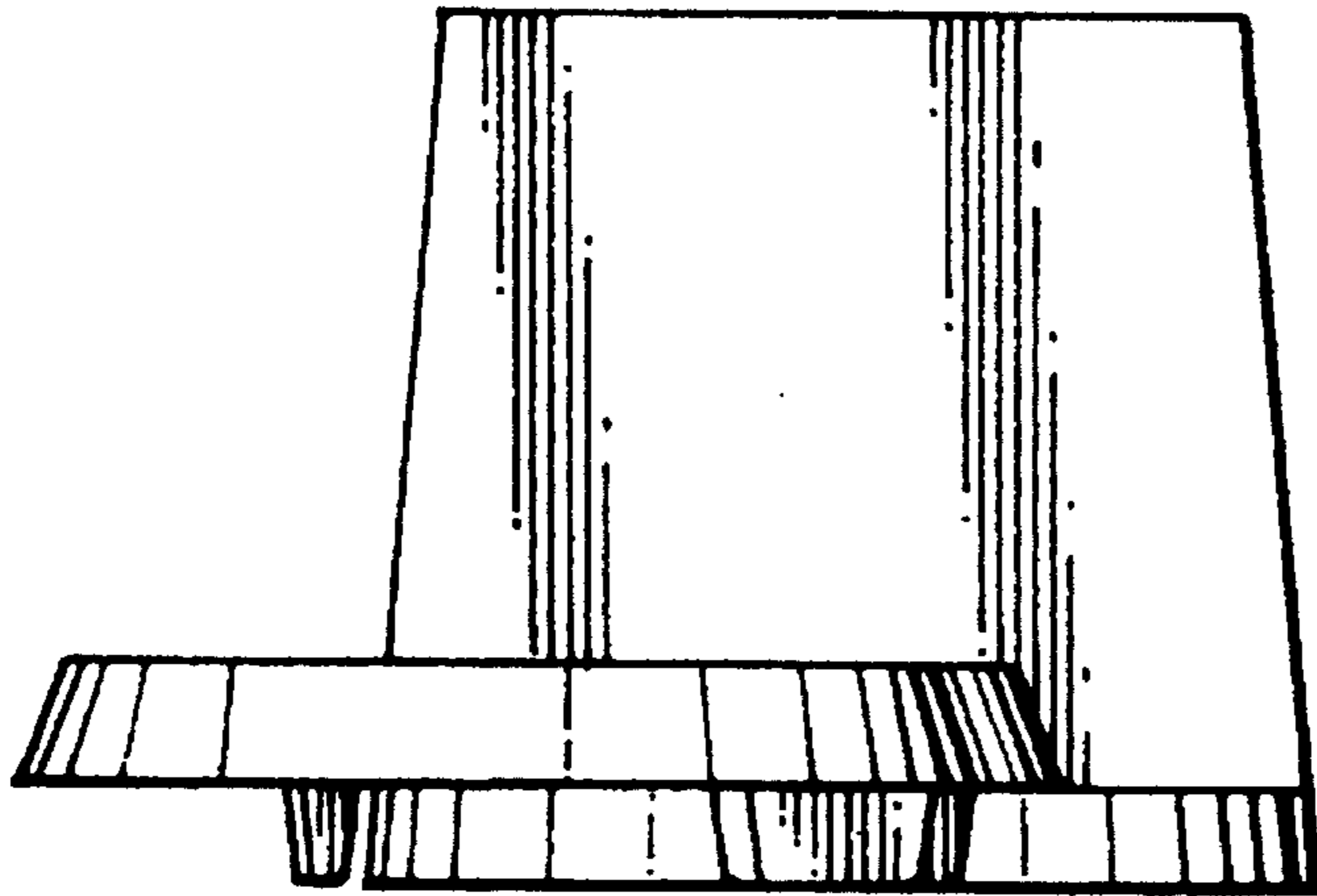


FIG. 6

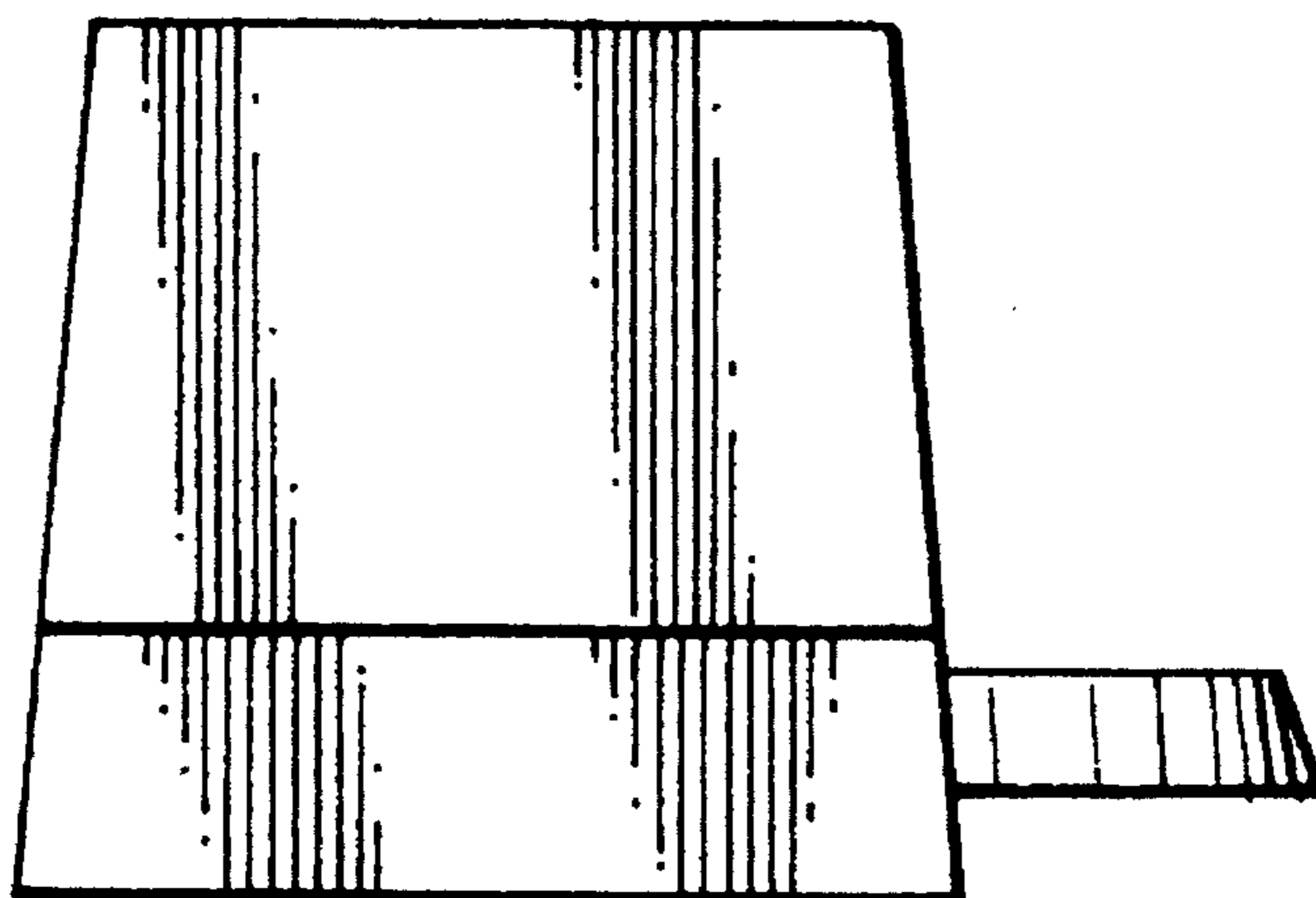


FIG. 7