



US00D372964S

United States Patent [19]
Gryner

[11] **Patent Number: Des. 372,964**

[45] **Date of Patent: **Aug. 20, 1996**

[54] **MAGNETIC TOILET SEAT RETAINER**

[76] **Inventor: Mark Gryner, P.O. Box 3352, Bay Saint Louis, Miss. 39520**

[**] **Term: 14 Years**

[21] **Appl. No.: 43,698**

[22] **Filed: Sep. 11, 1995**

[52] **U.S. Cl. D23/309; D23/303**

[58] **Field of Search D23/302-311, D23/295-299; 4/233-239, 217, 242, 246.1, 253, 661**

[56] **References Cited**

U.S. PATENT DOCUMENTS

4,122,563	10/1978	Johnson	4/236
4,451,940	6/1984	Grunz	4/234
4,469,358	9/1984	Abbott	4/253

Primary Examiner—Louis S. Zarfes
Assistant Examiner—Gregory Andoll
Attorney, Agent, or Firm—Harold H. Dutton, Jr.; W. Charles L. Jamison; Diane F. Liebman

[57] **CLAIM**

The ornamental design for a magnetic toilet seat retainer, as shown.

DESCRIPTION

FIG. 1 is a perspective view of a magnetic toilet seat retainer showing my new design;
FIG. 2 is a left side view thereof;
FIG. 3 is a front view thereof;
FIG. 4 is a rear view thereof;
FIG. 5 is a top view thereof; and,
FIG. 6 is a bottom view thereof.

1 Claim, 3 Drawing Sheets

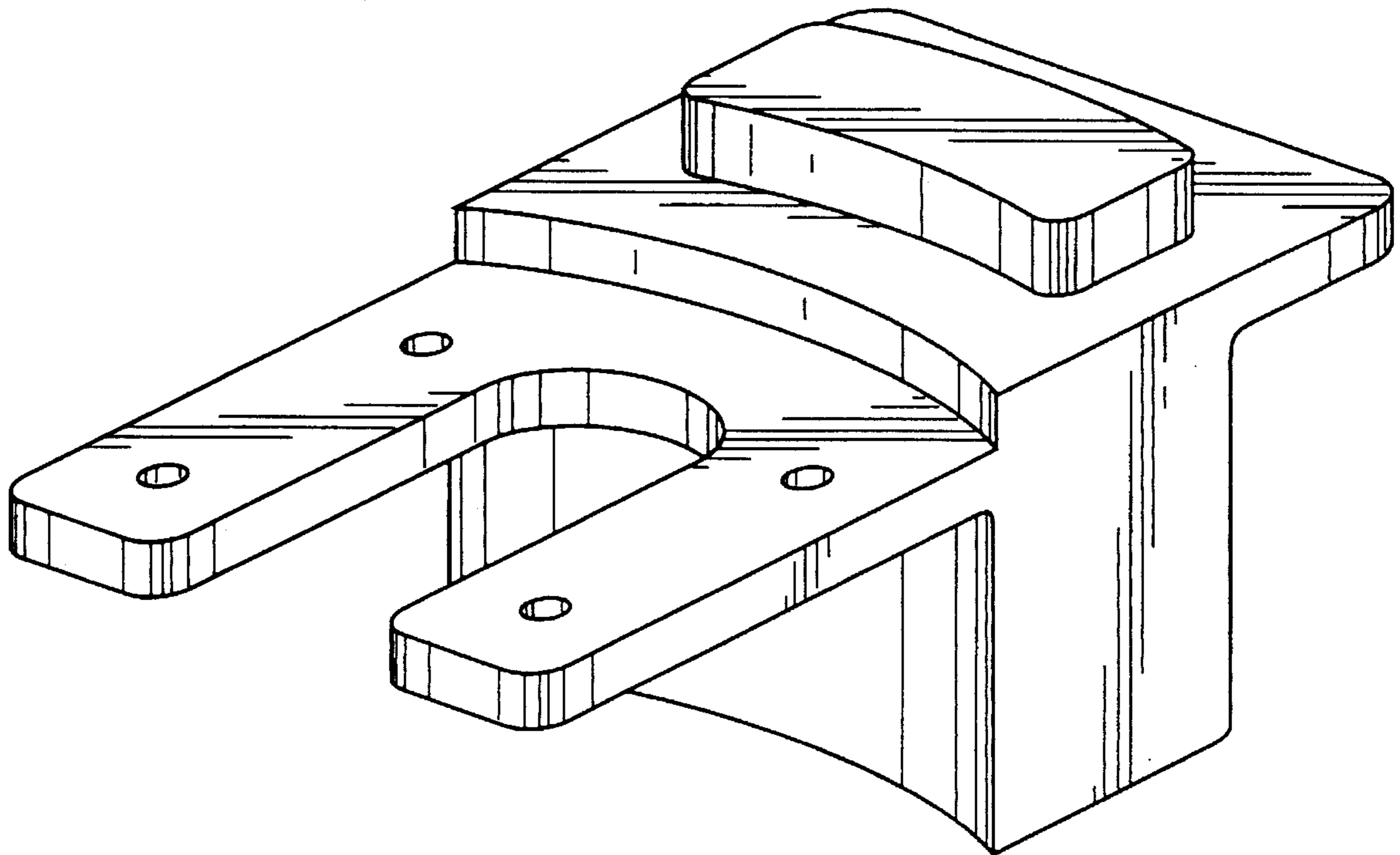


FIG. 1

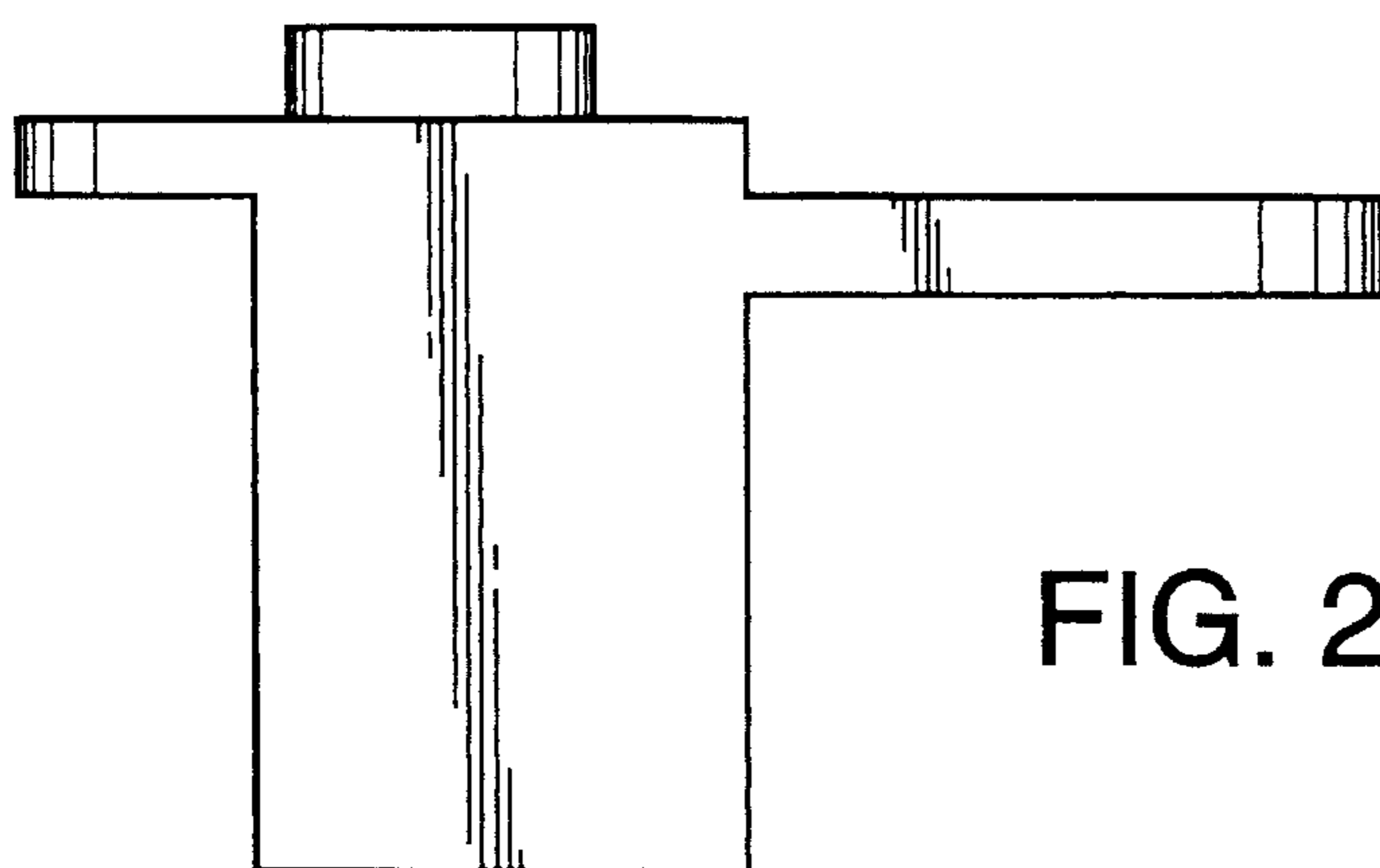
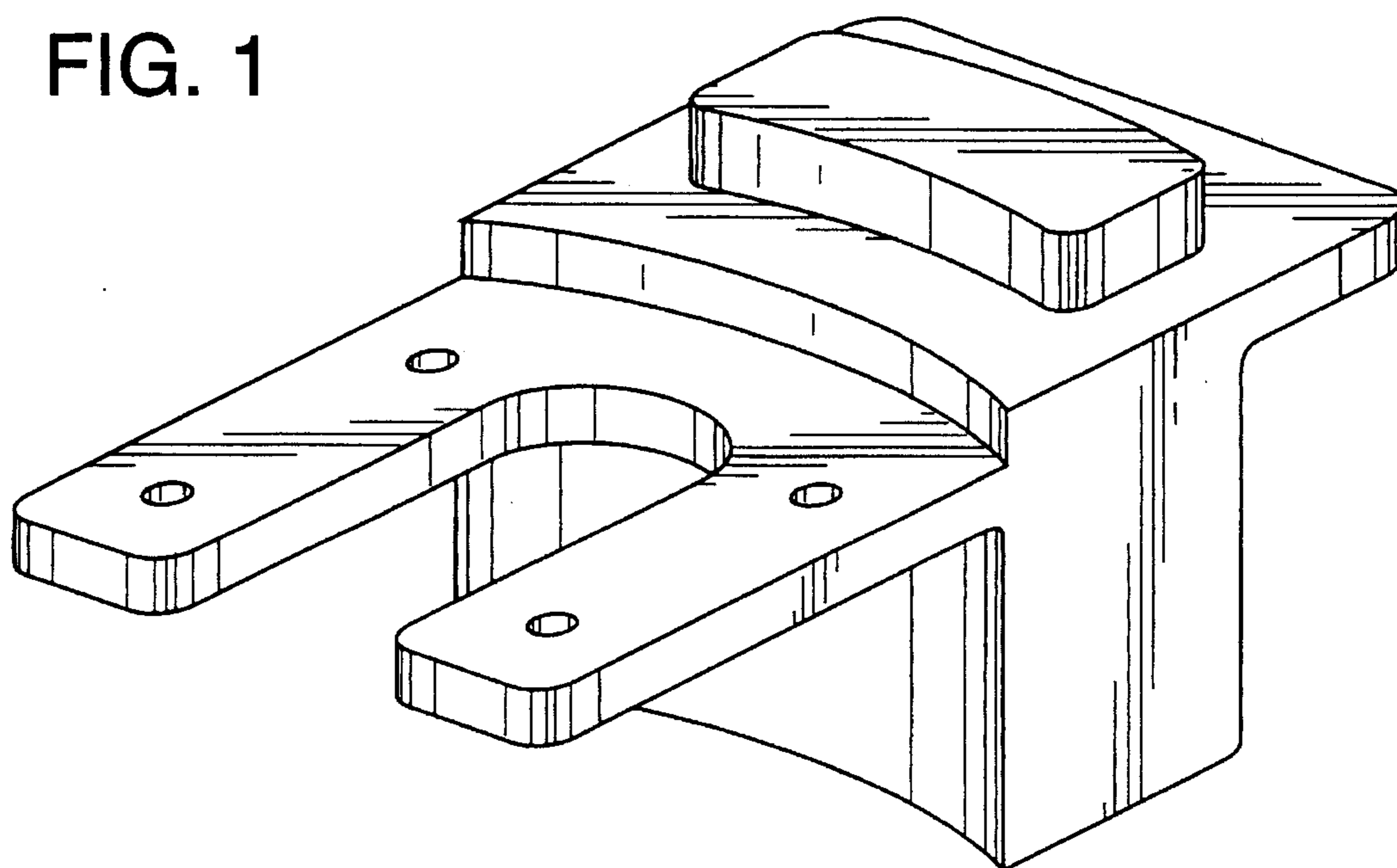


FIG. 2

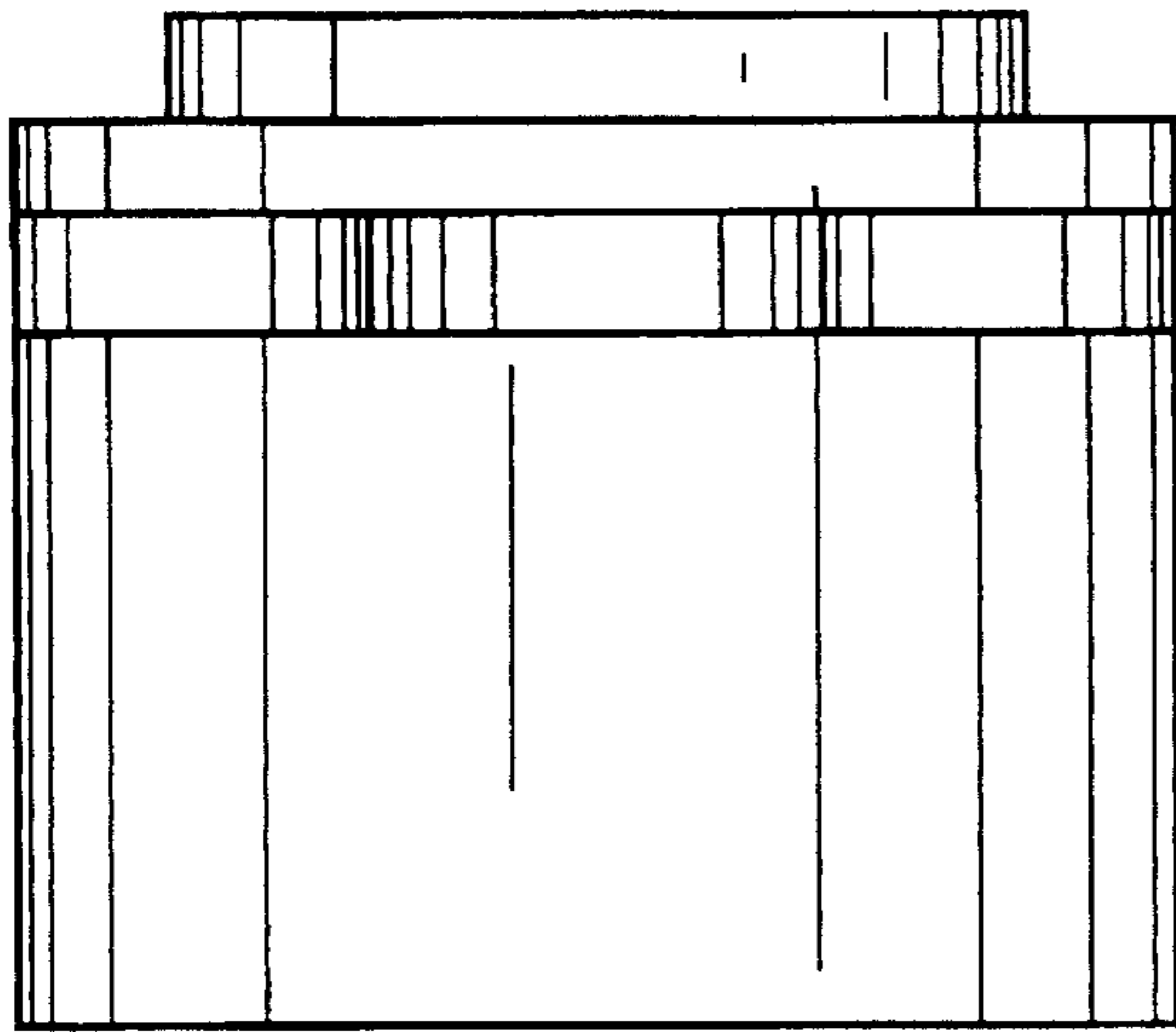


FIG. 3

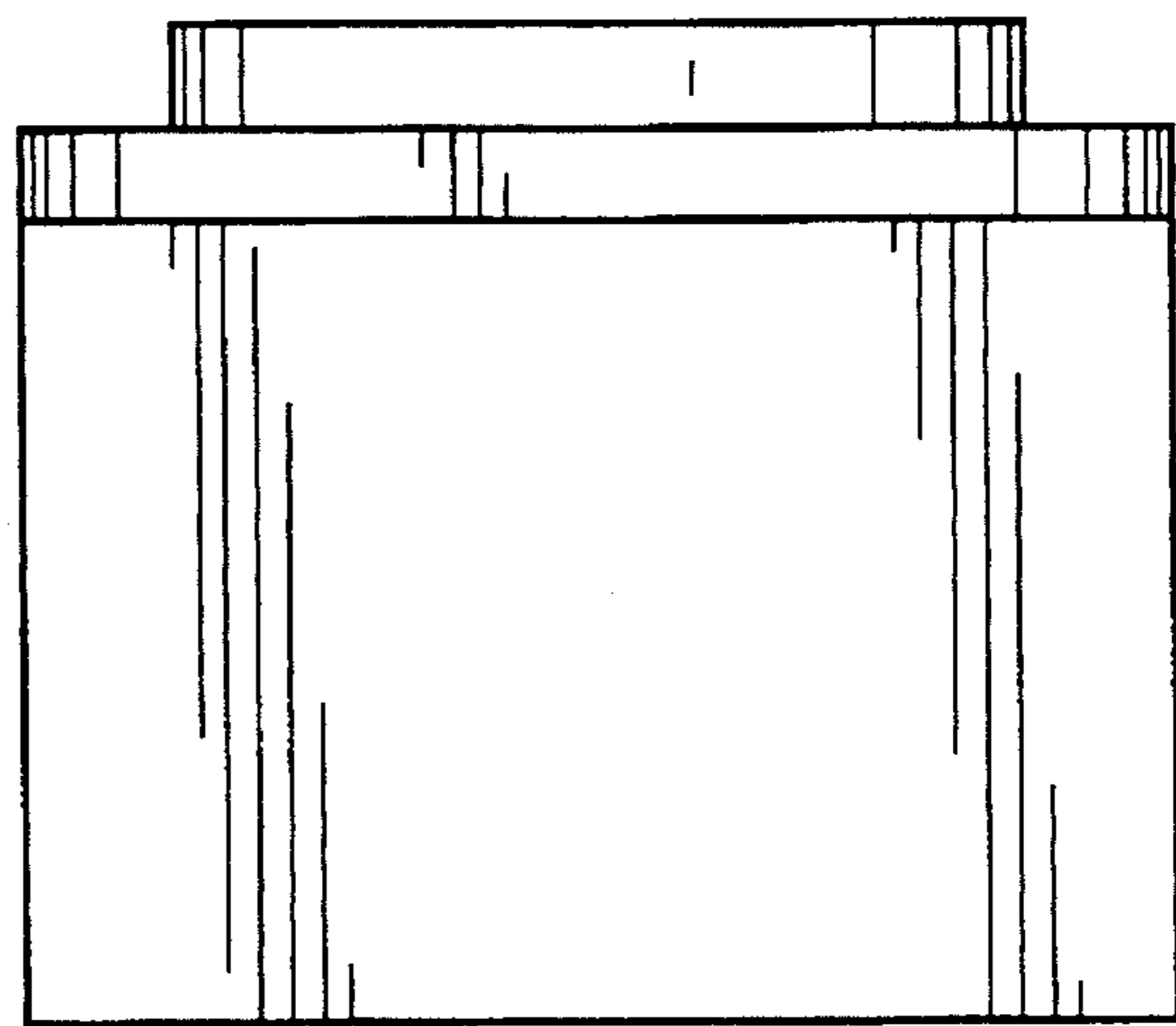


FIG. 4

FIG. 5

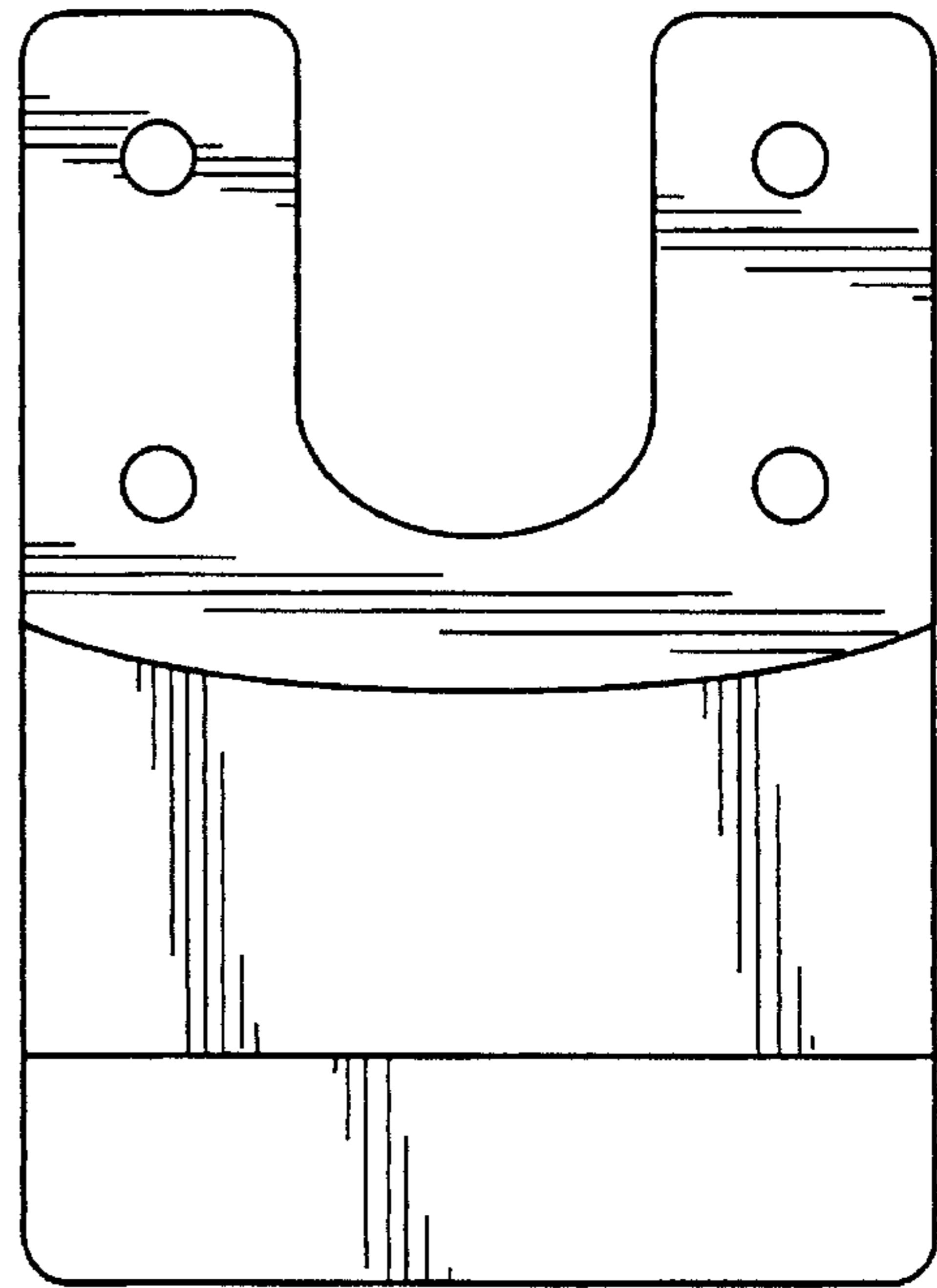
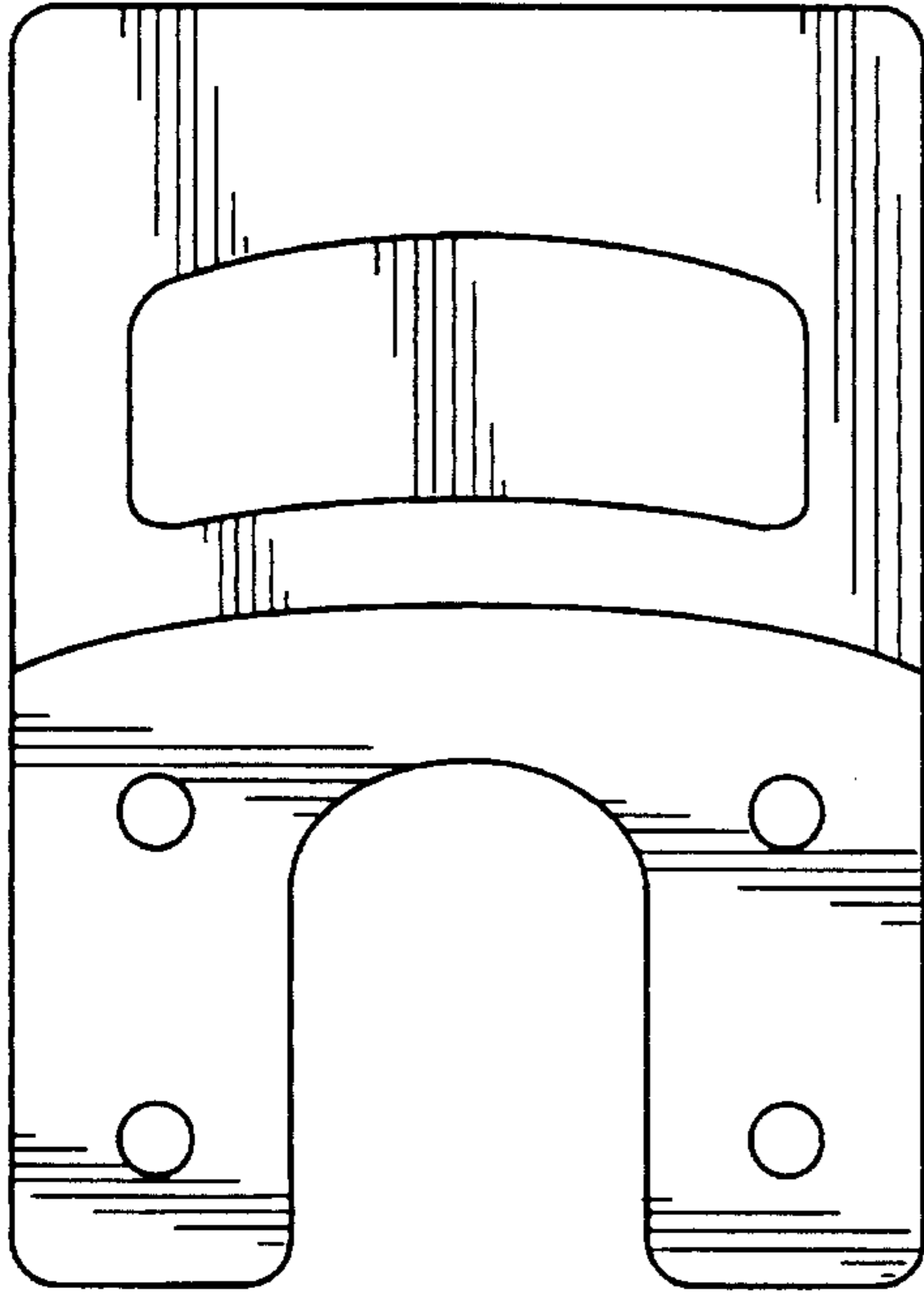


FIG. 6