



US00D372963S

United States Patent [19]

[11] Patent Number: **Des. 372,963**

Luca, Jr. et al.

[45] Date of Patent: ****Aug. 20, 1996**

[54] **SHOWER BAR**
[75] Inventors: **Thomas J. Luca, Jr.**, Cranston, R.I.;
Daniel W. Hoskin, Northboro, Mass.

3,001,754 9/1961 Fowler 211/105.3 X
3,156,977 11/1964 Logan .
3,429,452 2/1969 Johnson 211/105.3
3,493,121 2/1970 Doyle 211/105.3
3,637,084 1/1972 Uitz .

[73] Assignee: **Kenney Manufacturing Company**,
Warwick, R.I.

Primary Examiner—Stella Reid
Assistant Examiner—Eric Watterson
Attorney, Agent, or Firm—Fish & Neave; Richard A. Inz

[**] Term: **14 Years**

[57] CLAIM

[21] Appl. No.: **39,421**

The ornamental design for a shower bar, as shown and described.

[22] Filed: **May 30, 1995**

[52] U.S. Cl. **D23/304**

[58] Field of Search D23/303, 304;
D8/363, 380; 211/105.1, 105.2, 105.3; 248/251;
16/94 D; 160/250, 330; 4/605, 609, 610,
559

DESCRIPTION

FIG. 1 is a side view, all sides being the same, of a first embodiment of the shower bar showing our new design; FIG. 2 is an end view thereof, the opposite end being the same, taken along the lines 2—2 of FIG. 1; FIG. 3 is a cross-section view thereof taken along the lines 3—3 of FIG. 1; FIG. 4 is a side view, all sides being the same, of a second embodiment of the shower bar showing our new design; FIG. 5 is an end view thereof, the opposite end being the same, taken along the lines 5—5 of FIG. 4; FIG. 6 is a cross-section view thereof taken along the lines 6—6 of FIG. 4; FIG. 7 is a side view, all sides being the same, of a third embodiment of the shower bar showing our new design; FIG. 8 is an end view thereof, the opposite end being the same, taken along the lines 8—8 of FIG. 7; FIG. 9 is a cross-section view thereof taken along the lines 9—9 of FIG. 7; FIG. 10 is a side view, all sides being the same, of a fourth embodiment of the shower bar showing our new design; FIG. 11 is an end view thereof, the opposite end being the same, taken along the lines 11—11 of FIG. 10; FIG. 12 is a cross-section view thereof taken along the lines 12—12 of FIG. 10; FIG. 13 is a side view, all sides being the same, of a fifth embodiment of the shower bar showing our new design; FIG. 14 is an end view thereof, the opposite end being the same, taken along the lines 14—14 of FIG. 13; FIG. 15 is a cross-section view thereof taken along the lines 15—15 of FIG. 13;

[56] References Cited

U.S. PATENT DOCUMENTS

D. 5,178	8/1871	Gould .	
D. 11,190	5/1879	Krickl .	
Re. 21,143	7/1939	Davis .	
D. 22,078	12/1892	Hussey .	
D. 22,185	1/1893	Harsha .	
D. 22,187	1/1893	Harsha .	
D. 22,250	2/1893	Harsha .	
D. 22,271	3/1893	Ruxton .	
D. 57,201	3/1921	Bielecka .	
D. 71,939	2/1927	Crawford .	
D. 72,258	3/1927	Hofmann .	
D. 74,422	2/1928	Frolking .	
D. 78,086	3/1929	Boye .	
D. 79,769	10/1929	Whincap .	
D. 79,770	10/1929	Whincap .	
D. 80,184	12/1929	Norberg .	
D. 203,392	1/1966	Dahlhaus et al. .	
D. 206,003	10/1966	Graber et al. .	
D. 220,937	6/1971	Unitz .	
D. 230,702	3/1974	Jetter .	
D. 230,948	3/1974	Moon .	
D. 230,949	3/1974	Levine .	
D. 260,074	8/1981	Lewis .	
D. 331,872	12/1992	Maruko .	
D. 337,495	7/1993	Alexander D8/300	
1,270,634	6/1918	Lowe et al. .	
1,769,326	7/1930	Weis .	

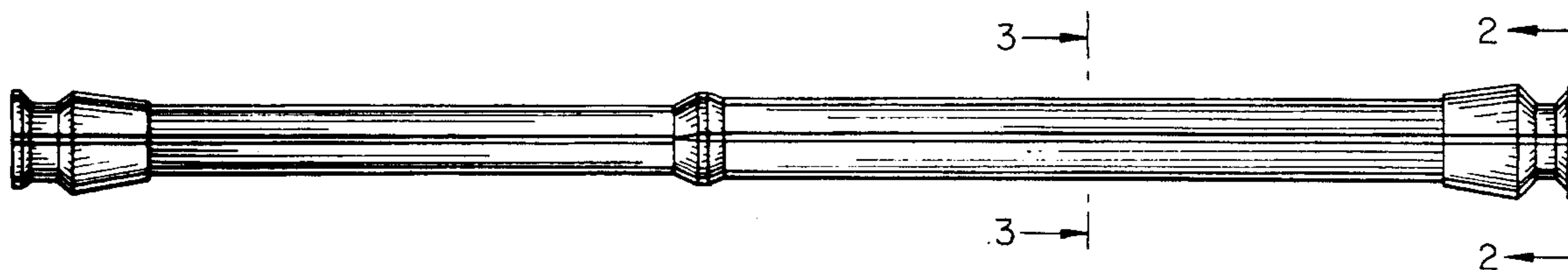


FIG. 16 is a side view, all sides being the same, of a sixth embodiment of the shower bar showing our new design;
FIG. 17 is an end view thereof, the opposite end being the same, taken along the lines 17—17 of FIG. 16;
FIG. 18 is a cross-section view thereof taken along the lines 18—18 of FIG. 16;
FIG. 19 is a side view, all sides being the same, of a seventh embodiment of the shower bar showing our new design;

FIG. 20 is an end view thereof, the opposite end being the same, taken along the lines 20—20 of FIG. 19; and,
FIG. 21 is a cross-section view thereof taken along the lines 21—21 of FIG. 19.

1 Claim, 7 Drawing Sheets

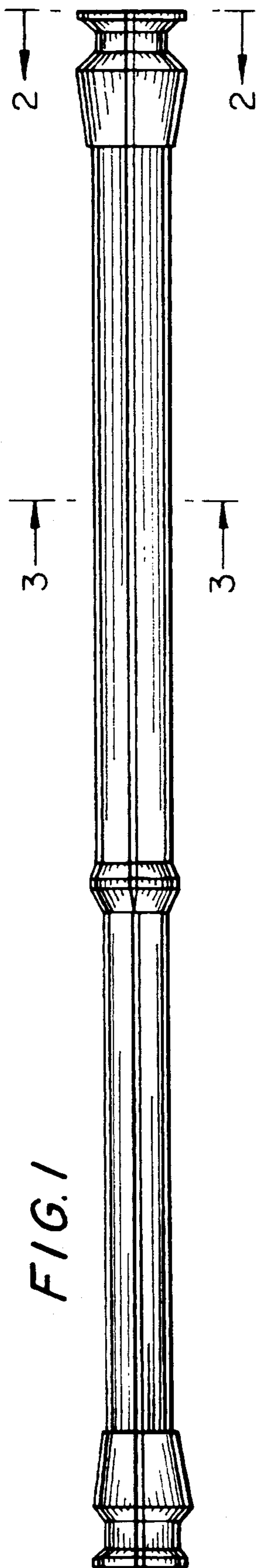


FIG. 2

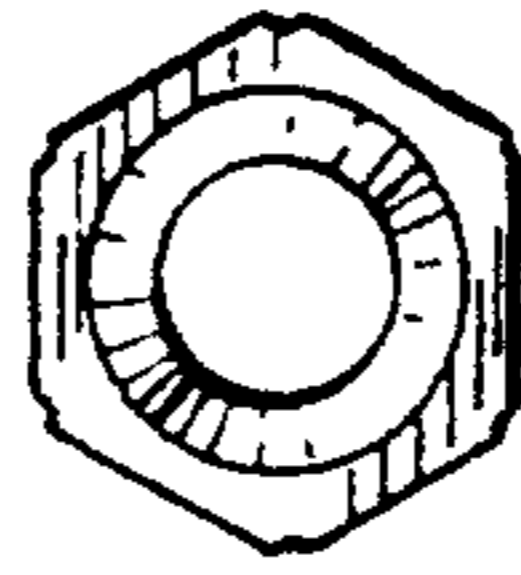
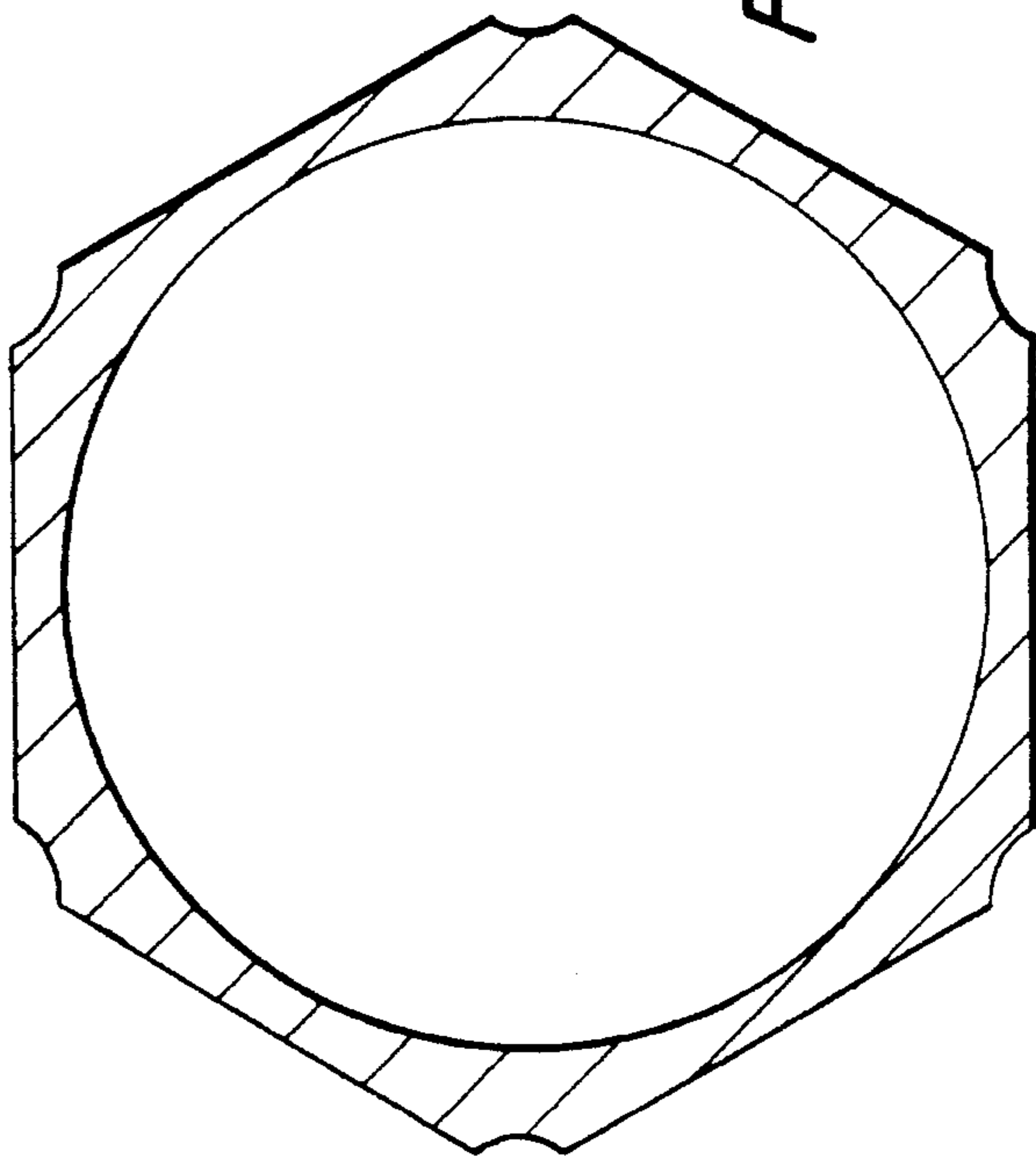


FIG. 3



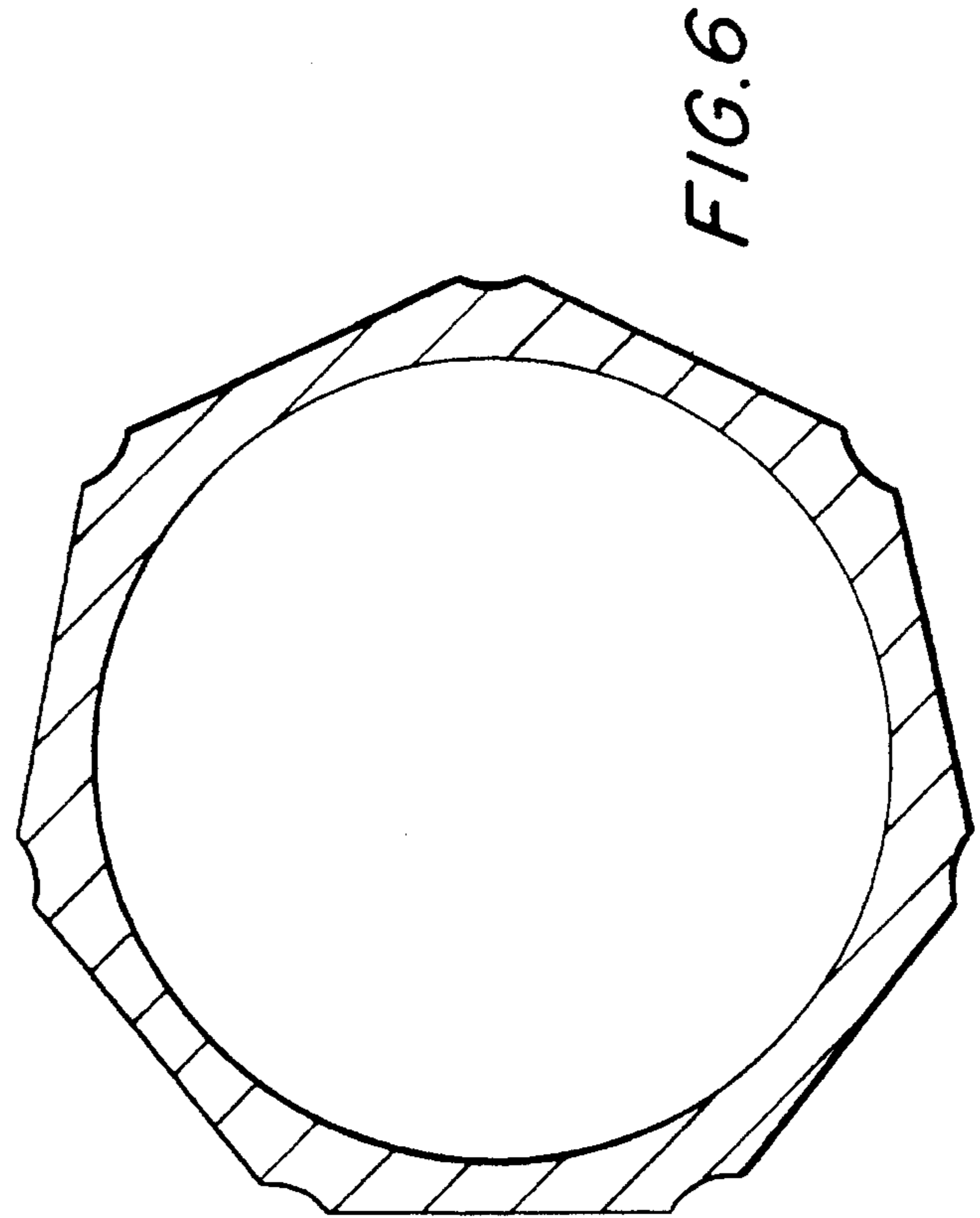
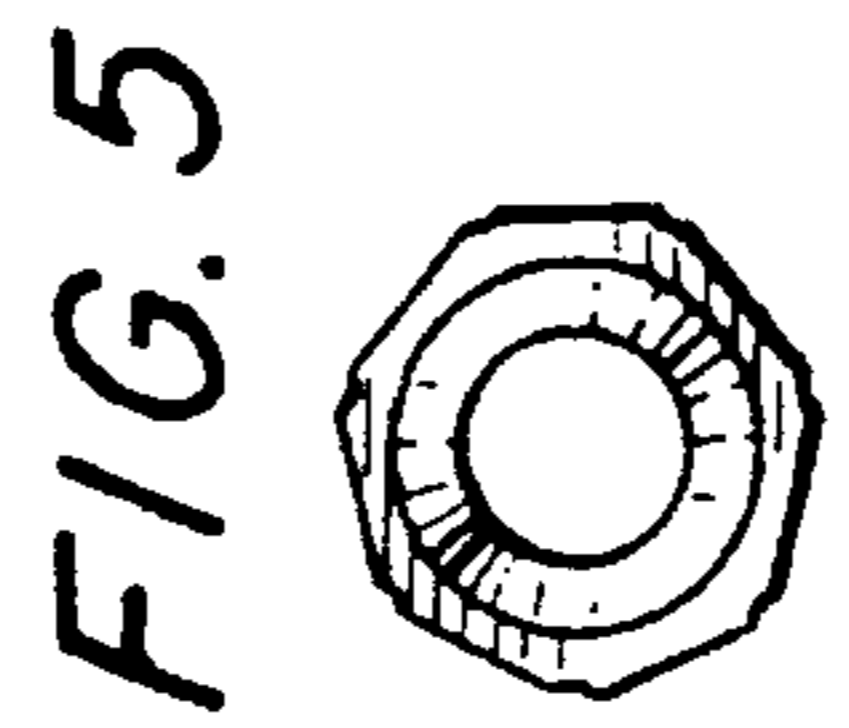
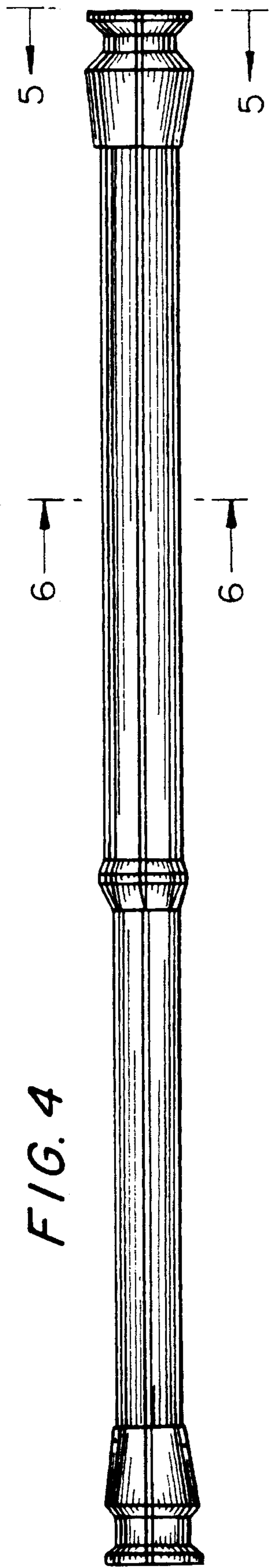
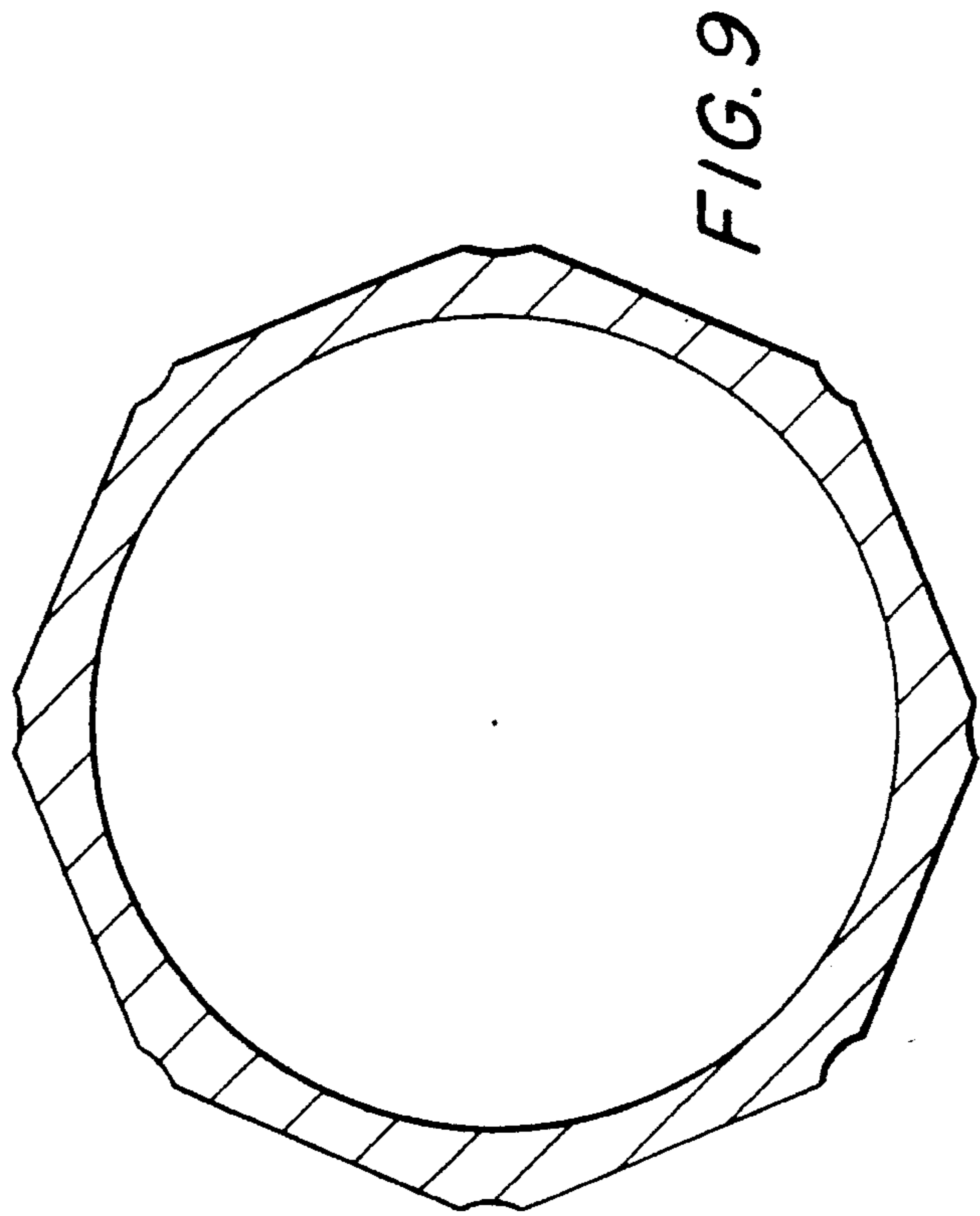
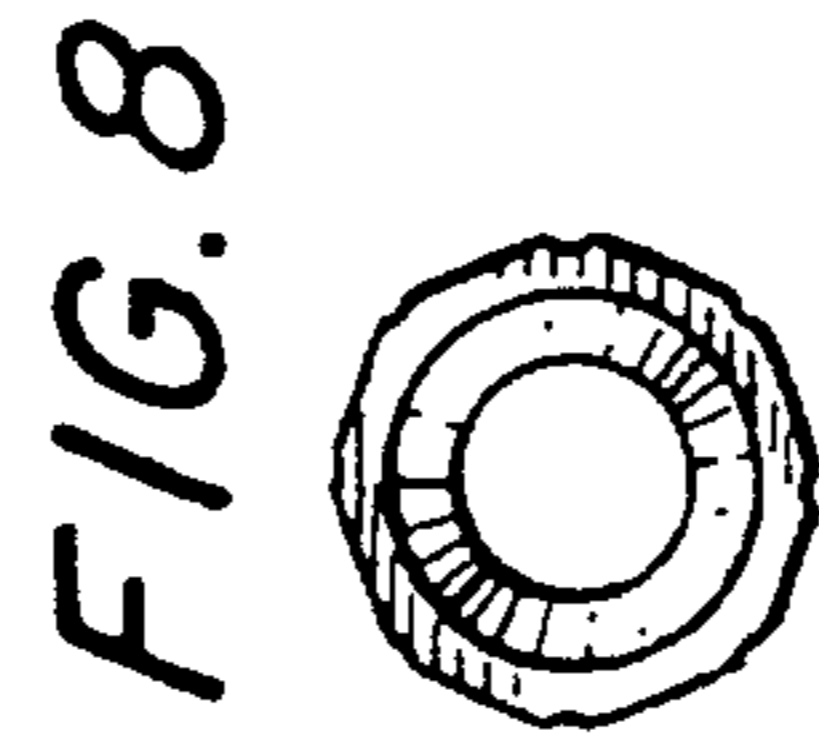
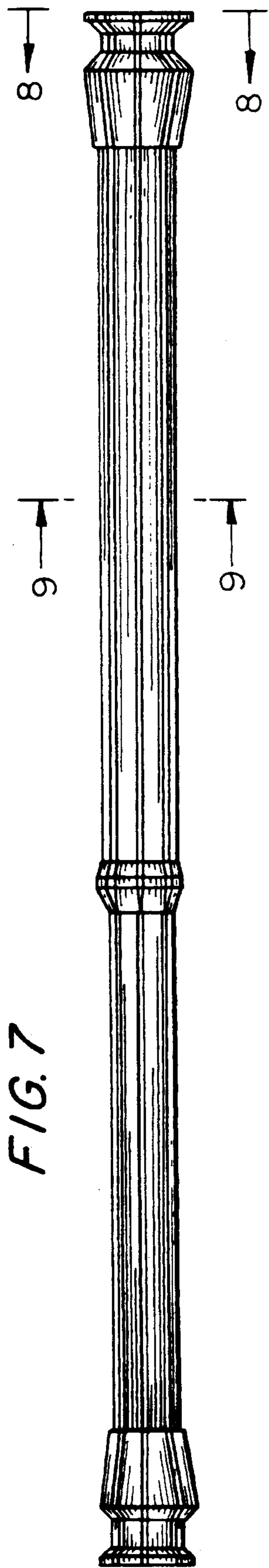
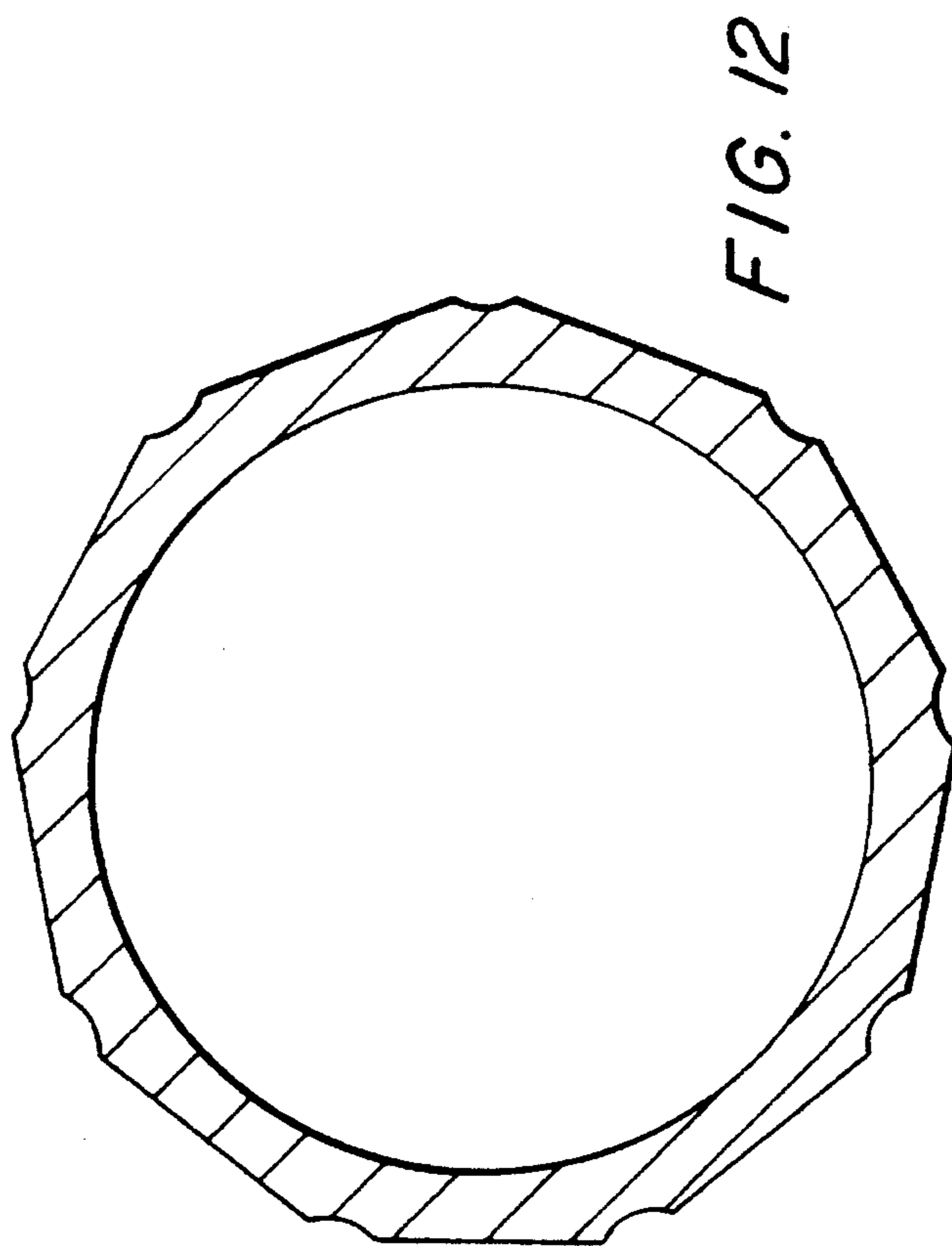
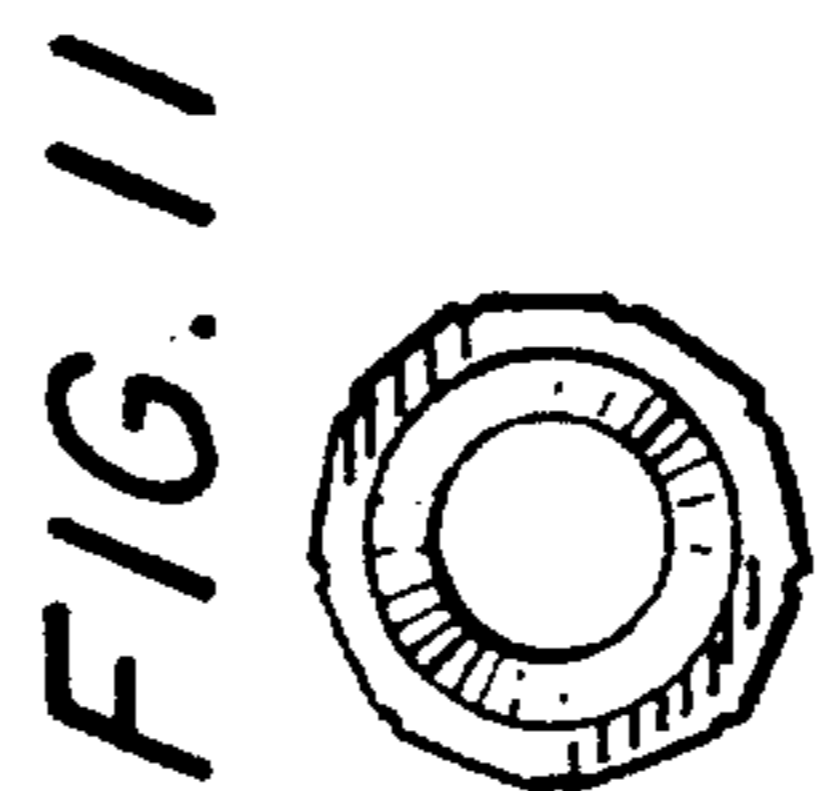
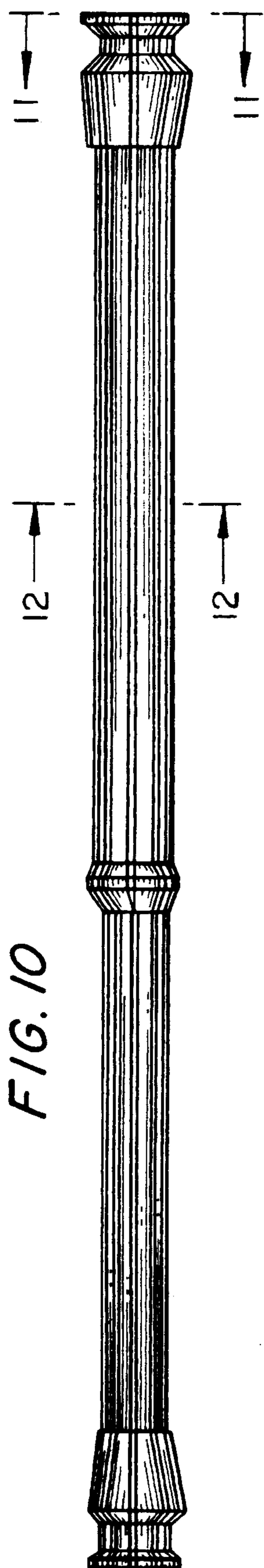


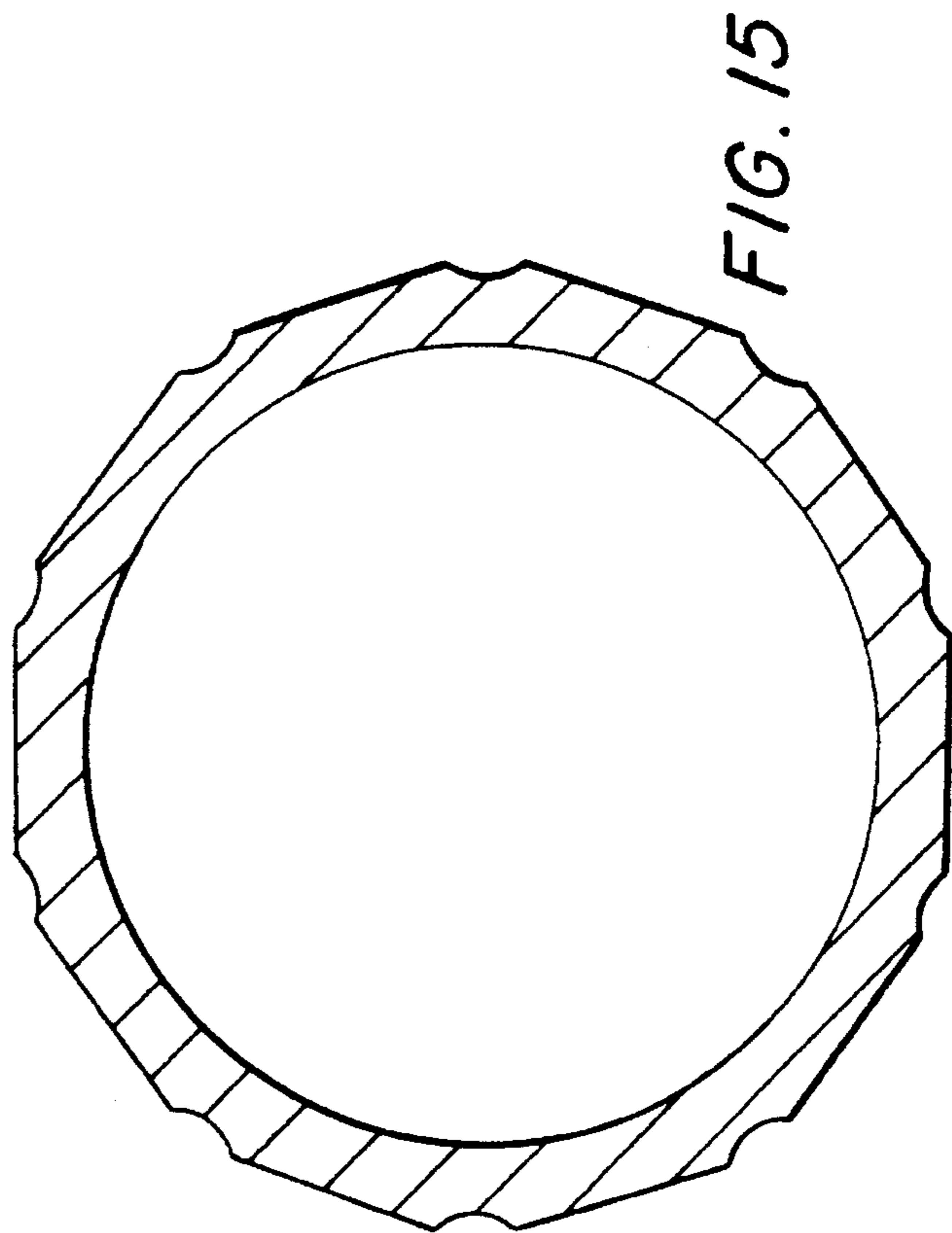
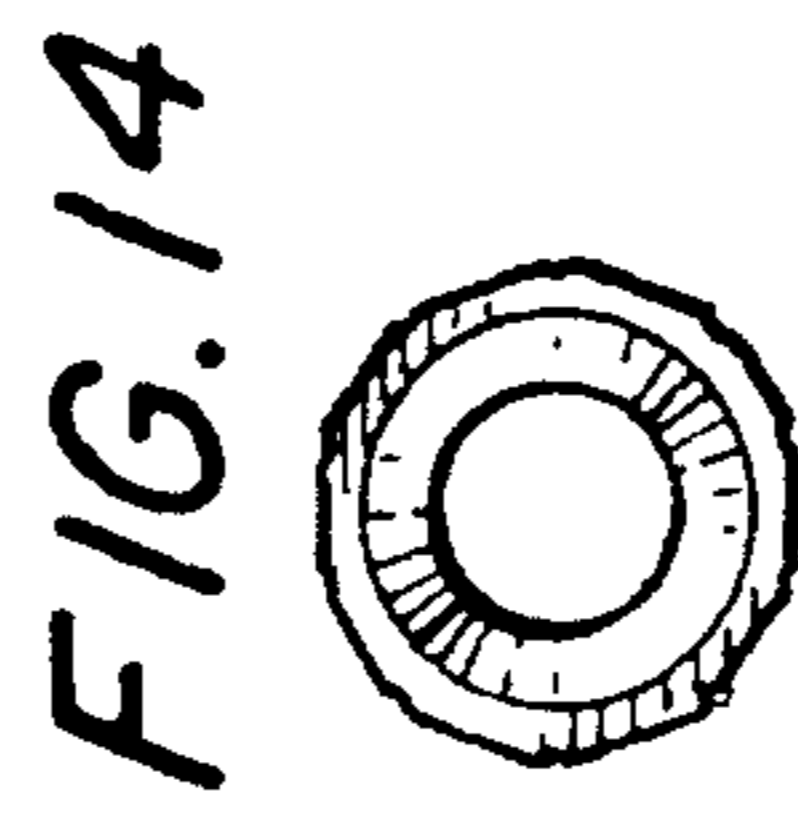
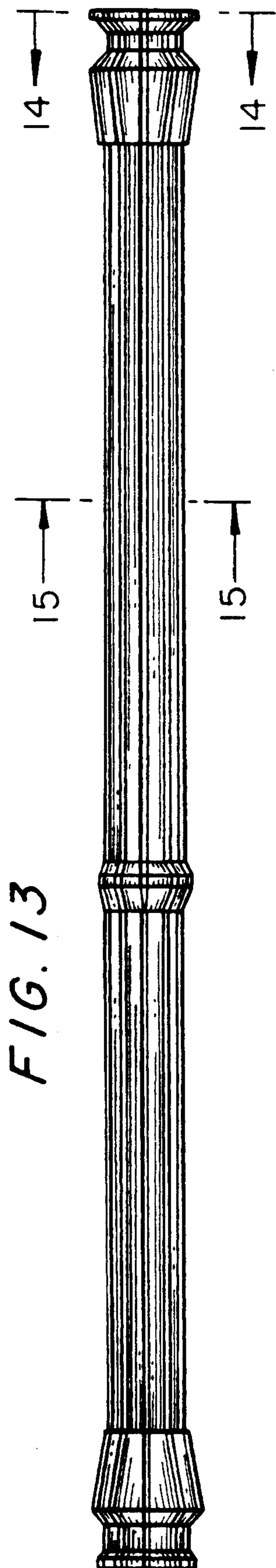
FIG. 4

FIG. 5

FIG. 6







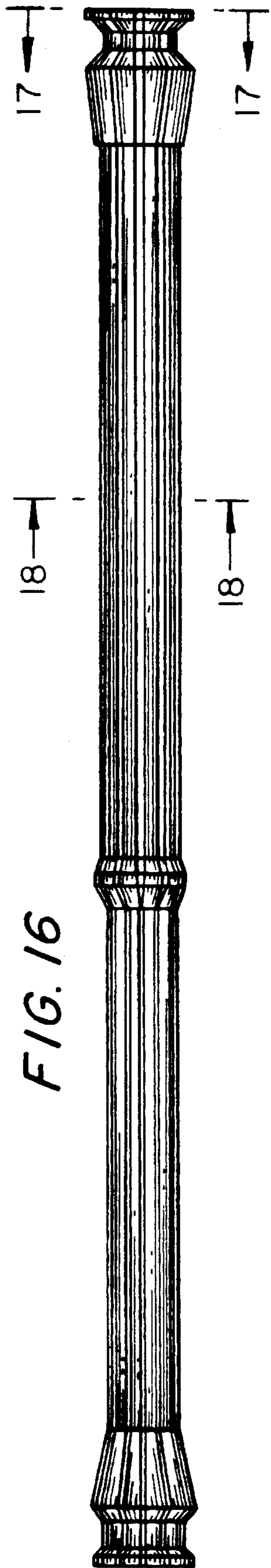


FIG. 16

FIG. 17

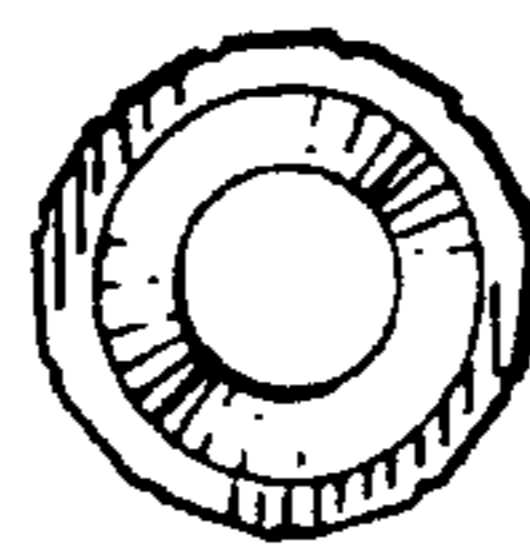


FIG. 18

