



US00D372960S

United States Patent [19]

[11] Patent Number: Des. 372,960

Allmon et al.

[45] Date of Patent: **Aug. 20, 1996

[54] **PRESSED-IN PIPE PLUG**

Attorney, Agent, or Firm—Thomas E. Schatzel; Law Offices of Thomas E. Schatzel

[75] Inventors: **James A. Allmon**, Danville; **Allen A. Spielberger**, San Jose; **Douglas E. Weiland**, Milpitas, all of Calif.

[57] **CLAIM**

The ornamental design for a pressed-in pipe plug, as shown and described.

[73] Assignee: **Lord and Sons, Inc.**, San Jose, Calif.

[**] Term: **14 Years**

DESCRIPTION

[21] Appl. No.: **35,919**

FIG. 1 is a top, front and left side perspective view of a first embodiment of a pressed-in pipe plug showing our new design;

[22] Filed: **Apr. 17, 1995**

FIG. 2 is a front elevational view of FIG. 1;

[52] U.S. Cl. **D23/260**

FIG. 3 is a left side elevational view of FIG. 1 and a mirror image of a right side thereof;

[58] **Field of Search** **D23/259-262,**
D23/263, 236, 235, 249; D8/387, 398;
138/89, 178; 4/295; D24/26

FIG. 4 is a rear elevational view of FIG. 1;

FIG. 5 is a top plan view of FIG. 1;

FIG. 6 is a bottom view of FIG. 1;

[56] **References Cited**

U.S. PATENT DOCUMENTS

D. 294,285	2/1988	Miskiewicz	D23/236
D. 303,710	9/1989	Neill	D23/262
D. 341,142	11/1993	Rogers et al.	D23/260
3,578,027	5/1971	Zopfi	138/89
3,983,904	10/1976	Laviano	138/89
4,683,597	8/1987	Taylor, Jr. et al.	4/295
5,119,861	6/1992	Pino	183/89
5,303,741	4/1994	Gauger	138/89

FIG. 7 is a top, front and left side perspective view of an alternative embodiment of a pressed-in pipe plug showing our new design;

FIG. 8 is a front elevational view of FIG. 7;

FIG. 9 is a left side elevational view of FIG. 7 and a mirror image of a right side view thereof;

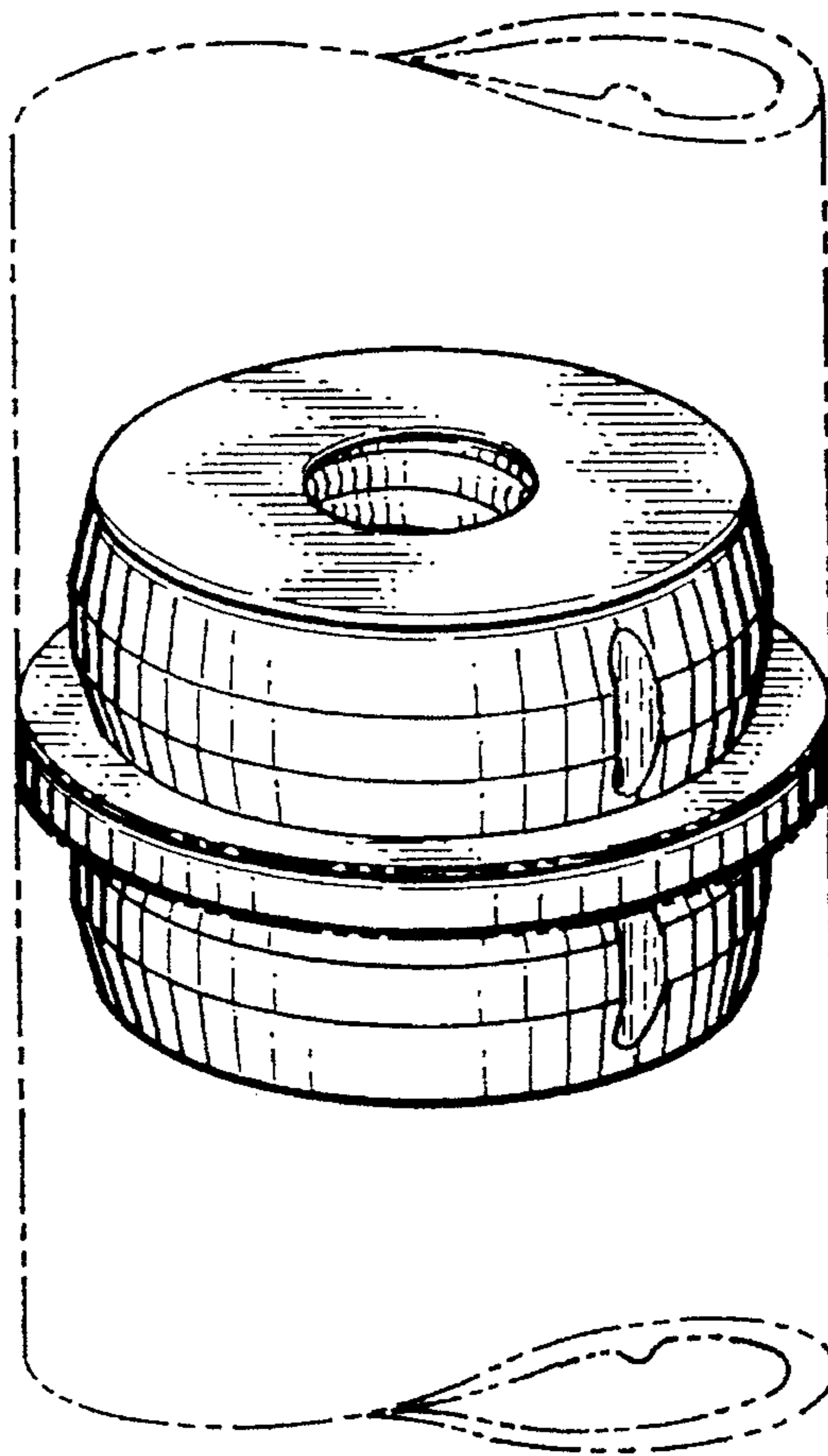
FIG. 10 is a top plan view of FIG. 7; and,

FIG. 11 is a bottom plan view of FIG. 7.

The broken line showing of the pipe is for illustrative purposes only and forms no part of the claimed design.

Primary Examiner—Louis S. Zarfaz
Assistant Examiner—Gregory Andoll

1 Claim, 2 Drawing Sheets



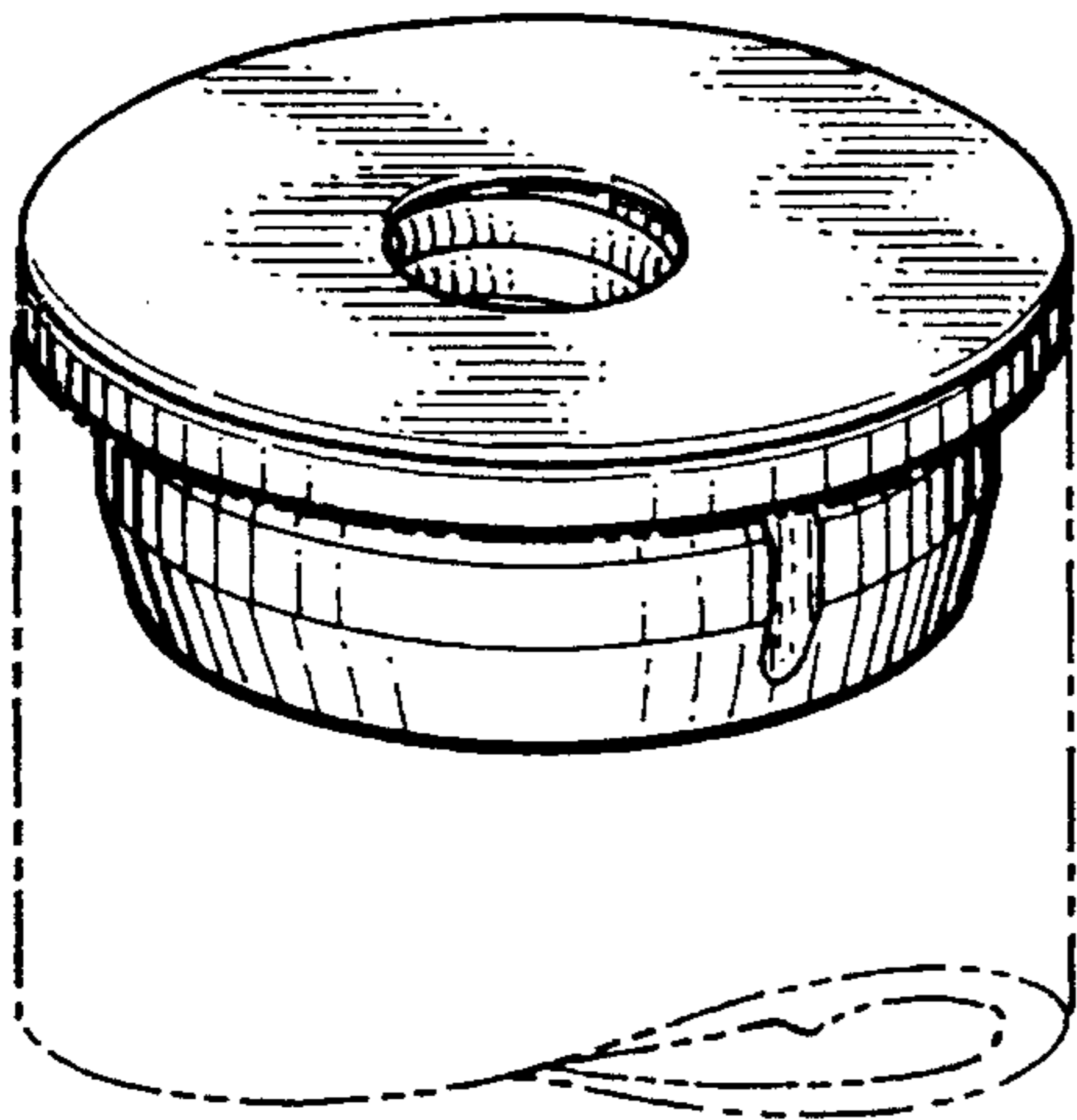


Fig. 1

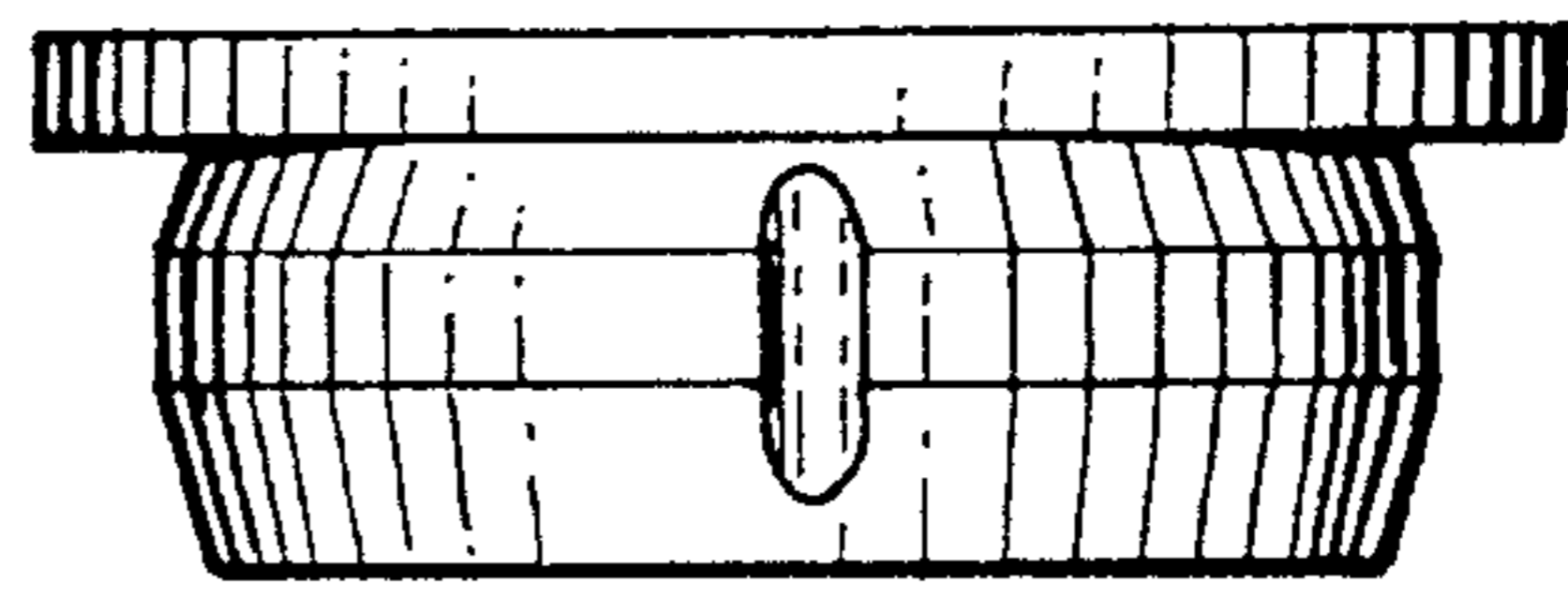


Fig. 2

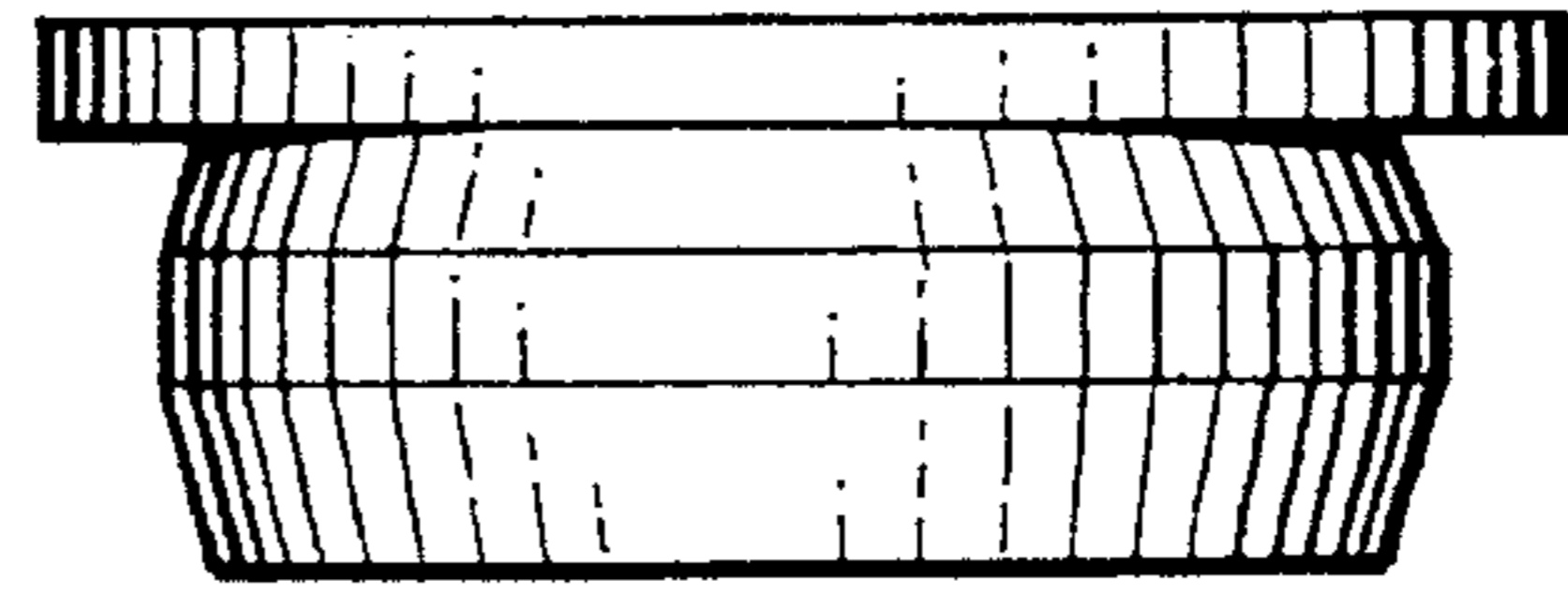


Fig. 3



Fig. 4

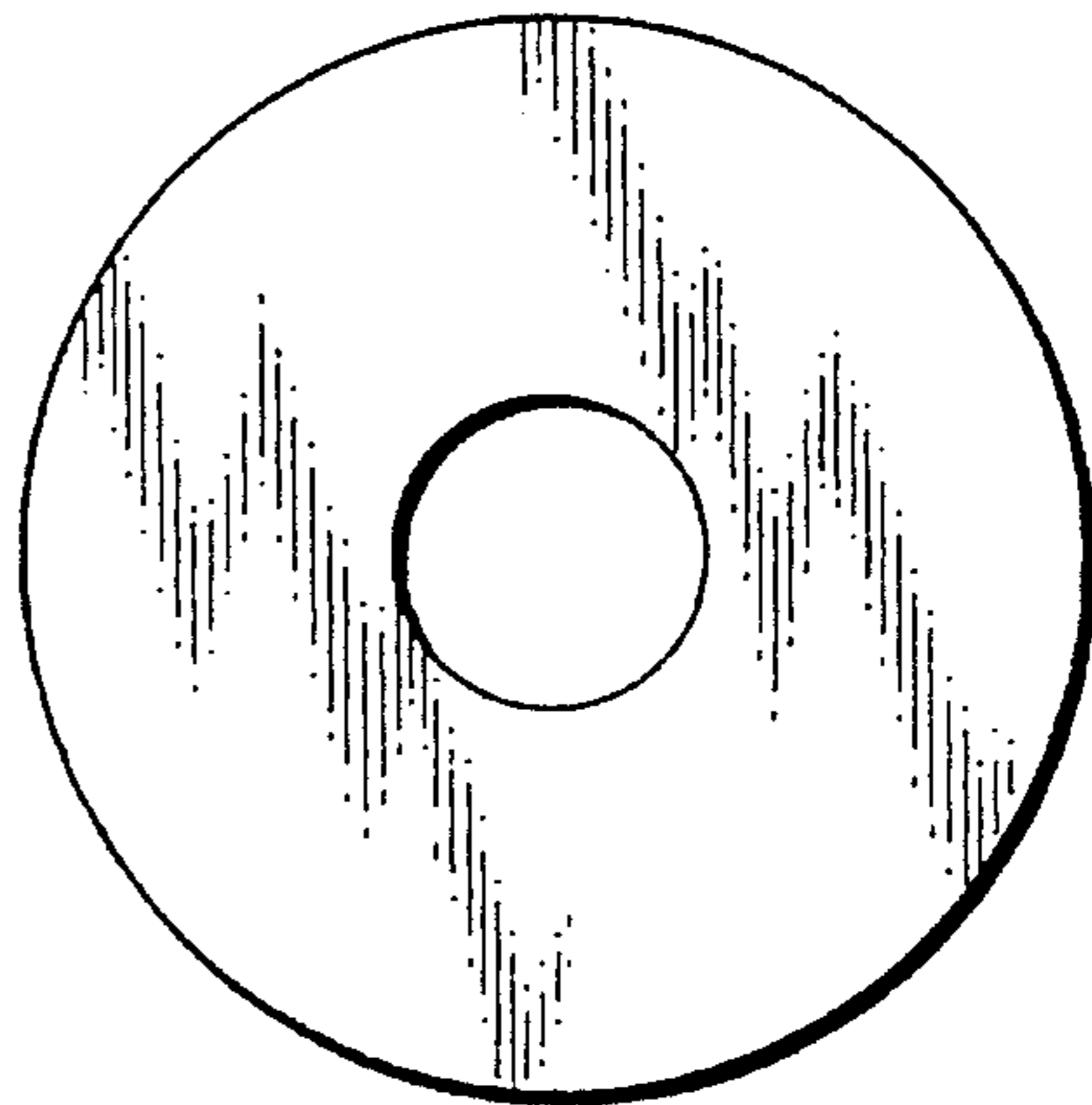


Fig. 5

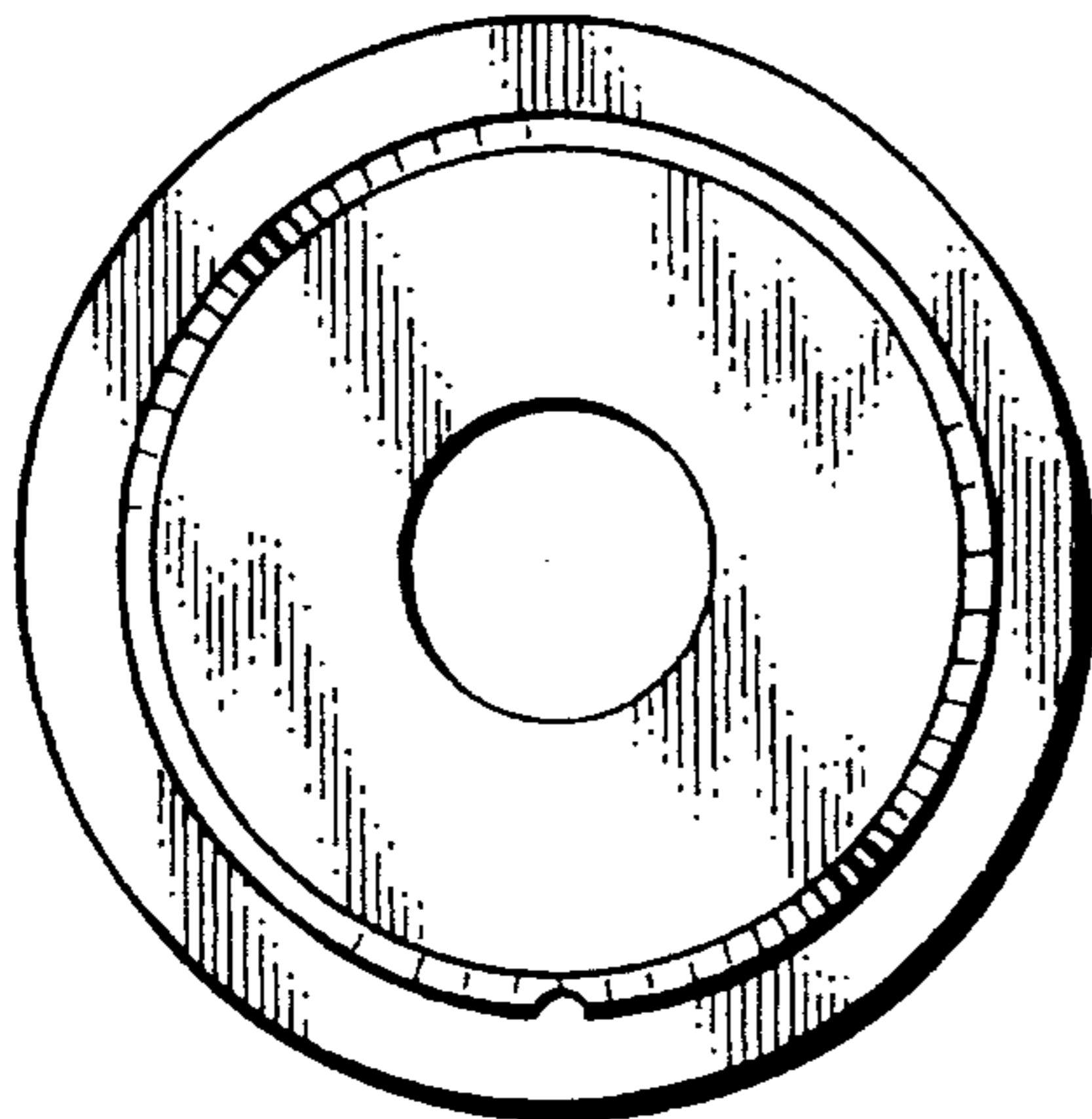


Fig. 6

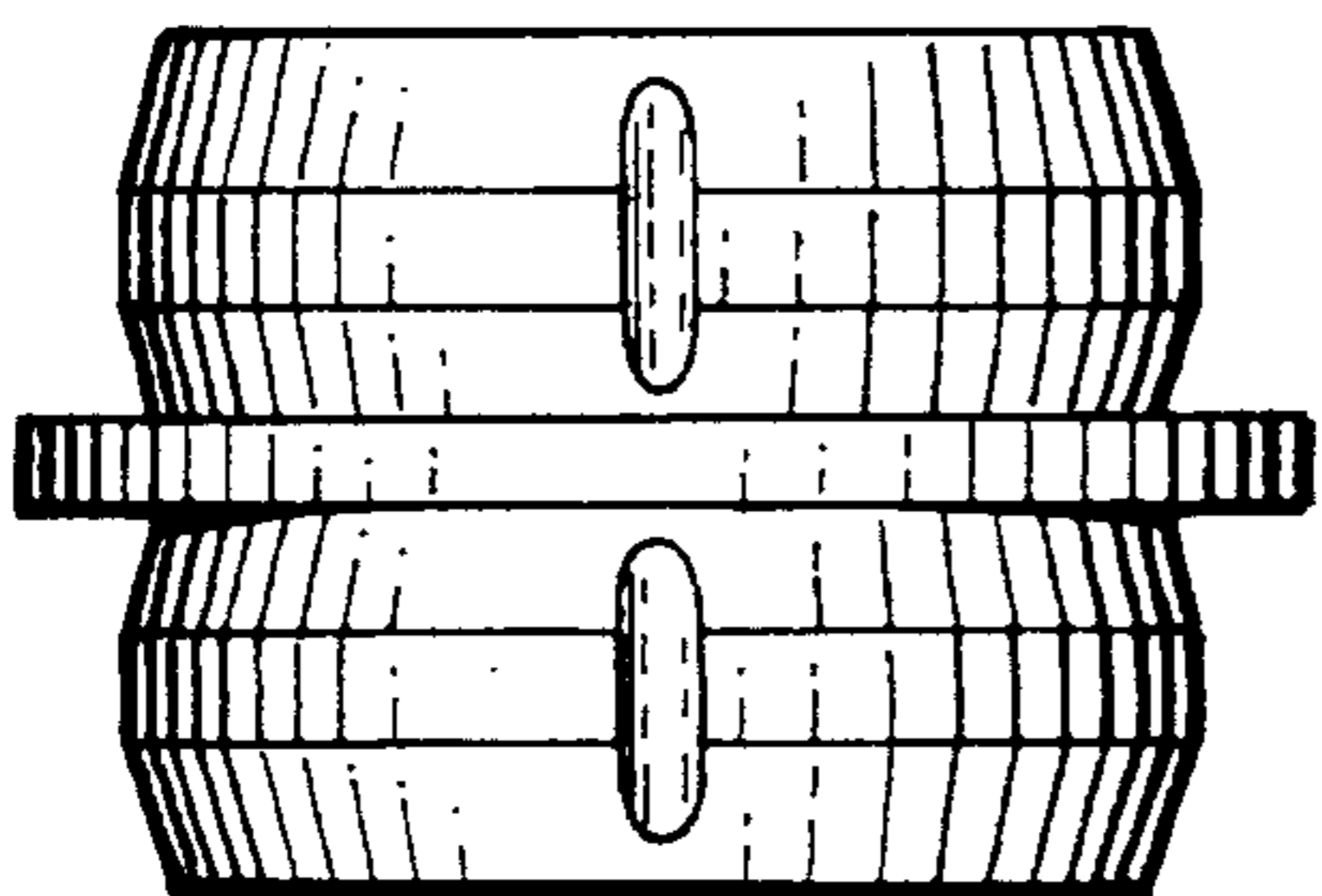


Fig. 8

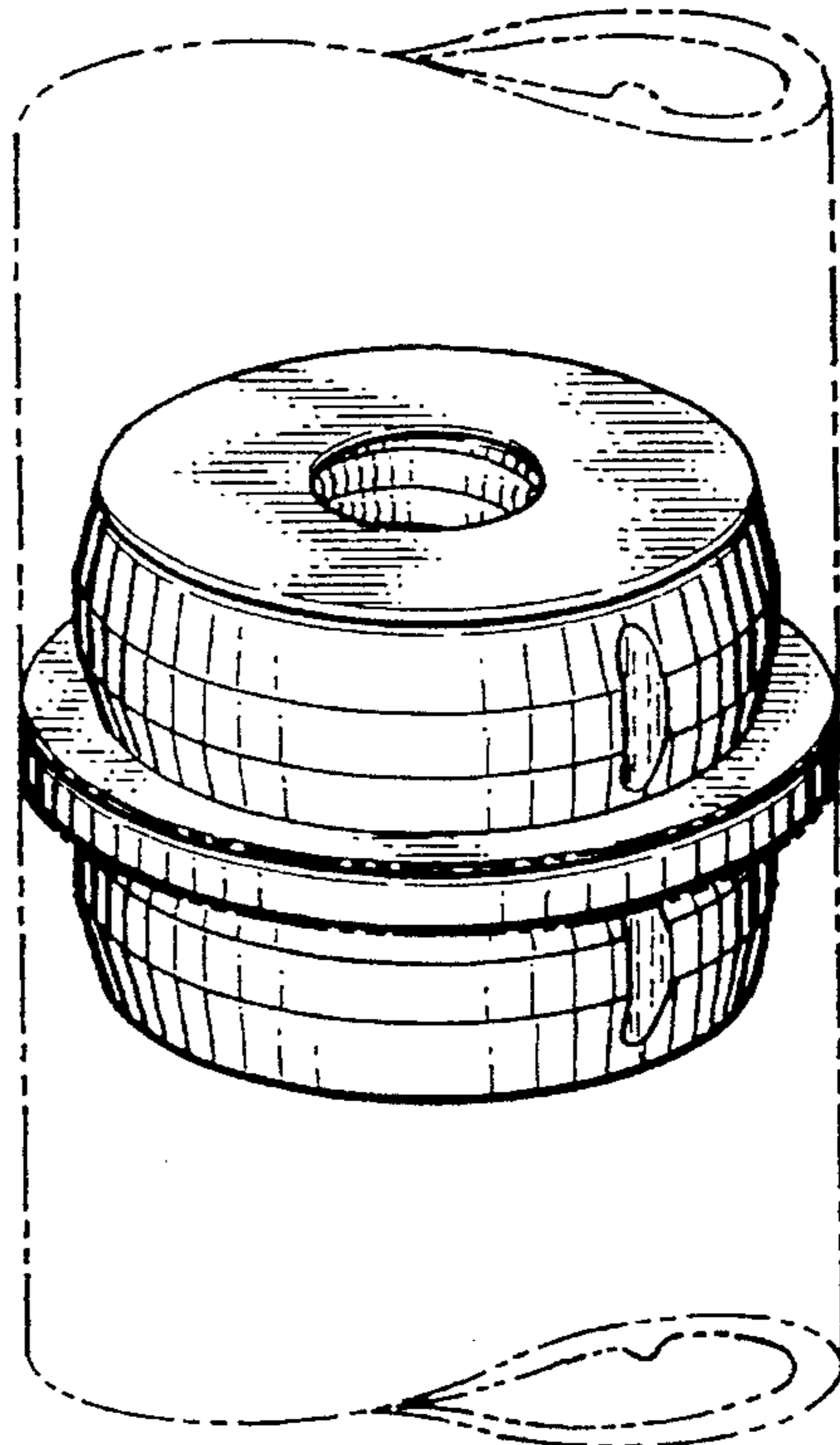


Fig. 7

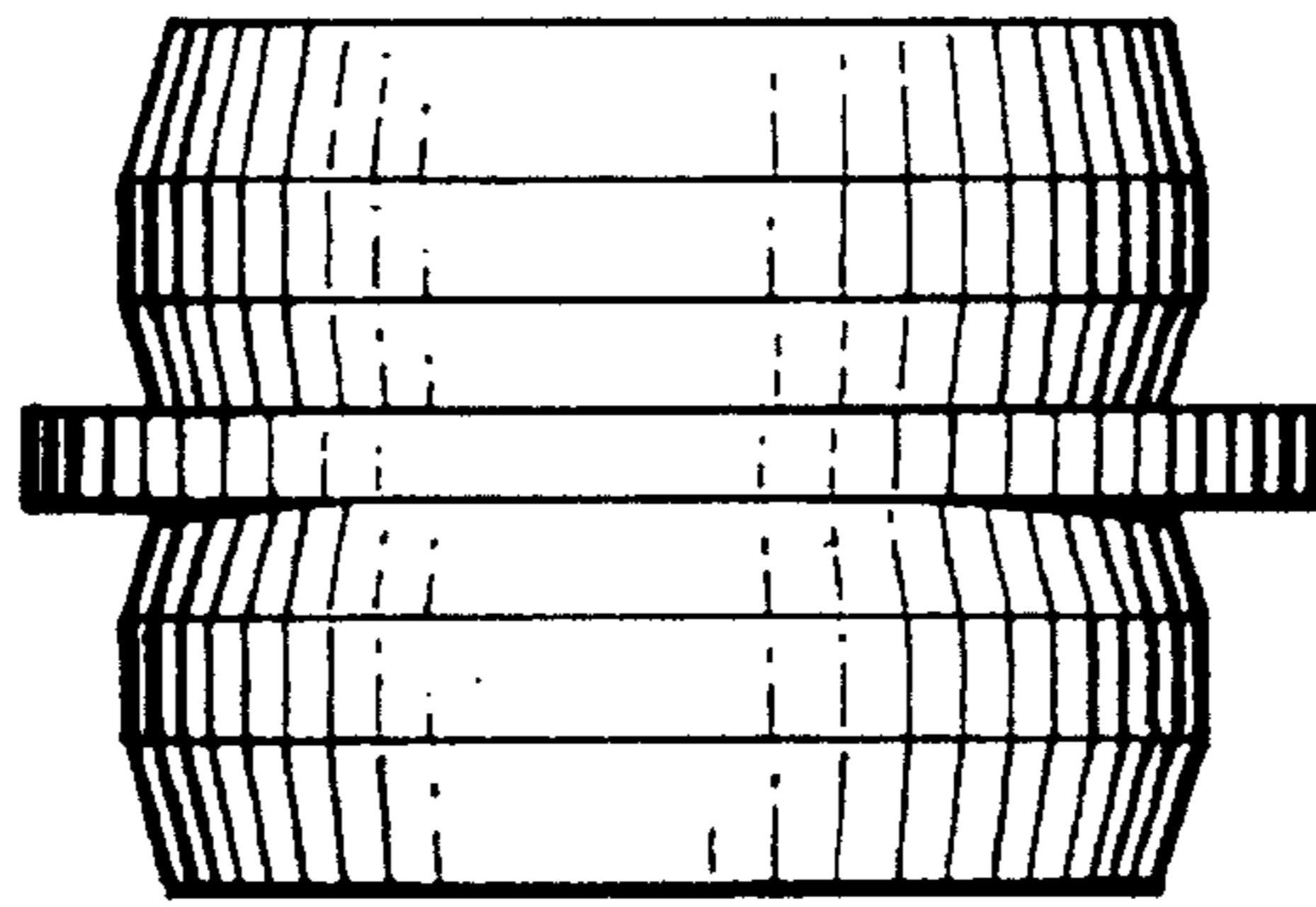


Fig. 9

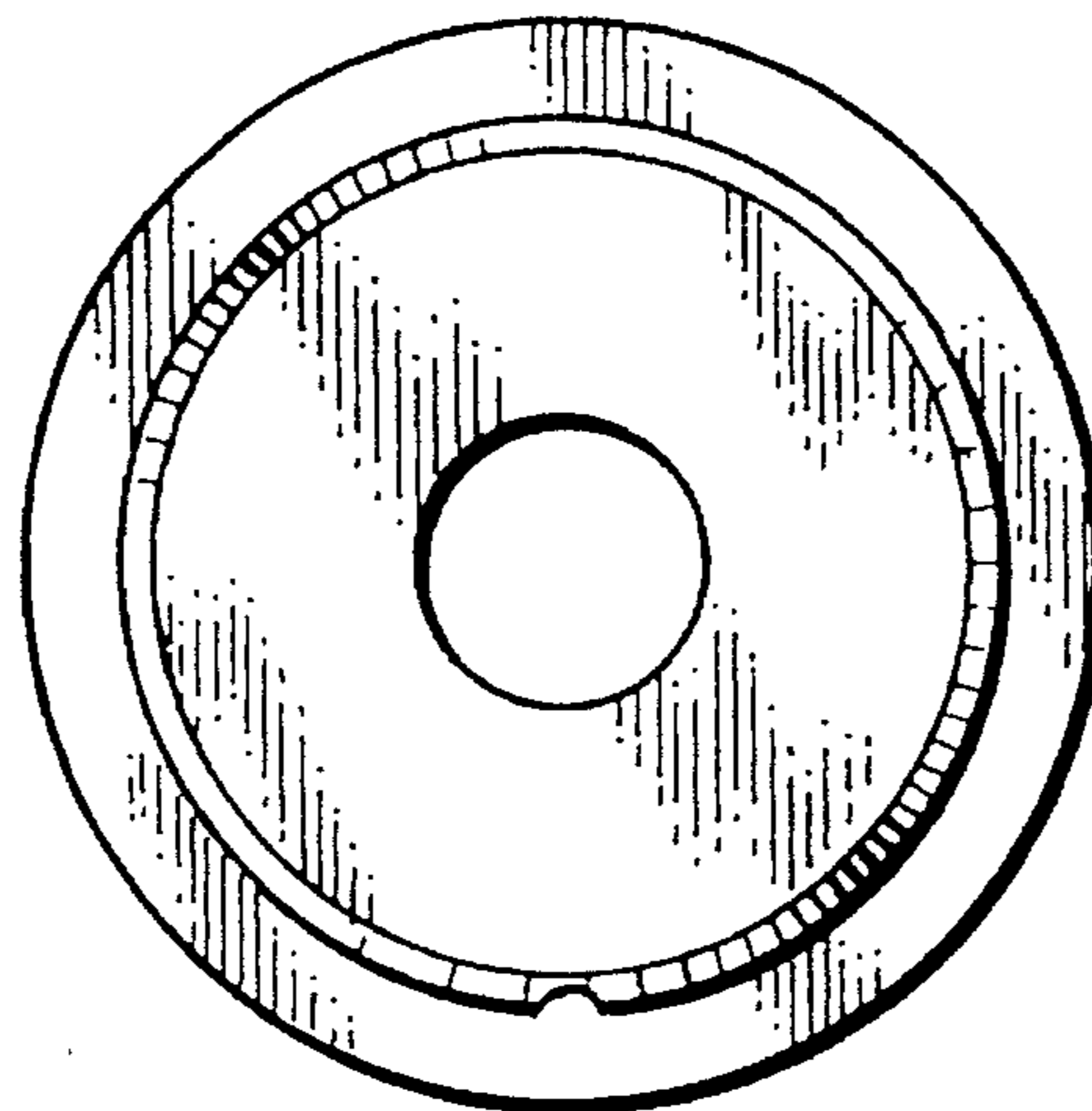


Fig. 10

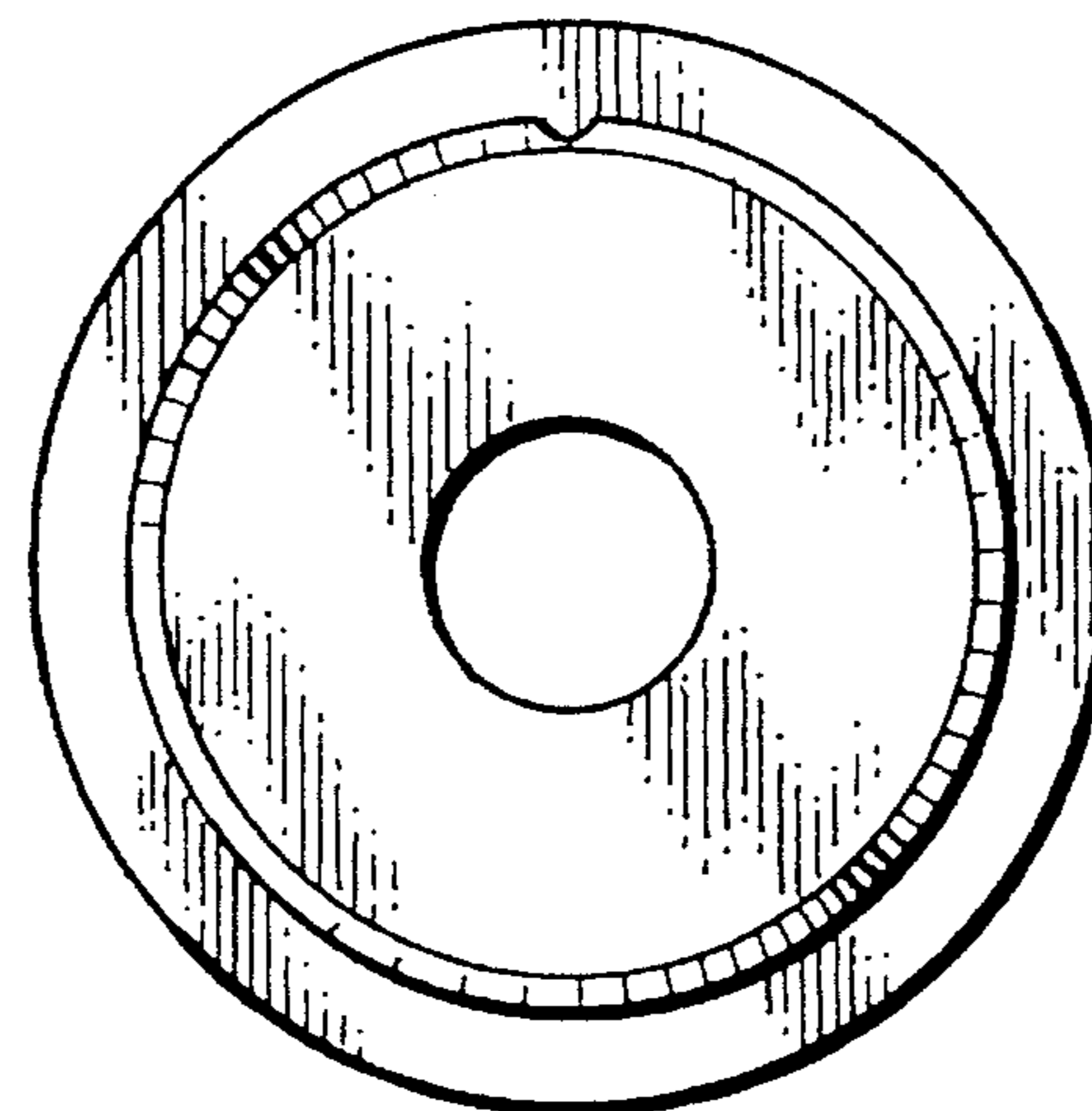


Fig. 11