



US00D372959S

# United States Patent [19]

Nagai et al.

[11] Patent Number: **Des. 372,959**

[45] Date of Patent: **\*\*Aug. 20, 1996**

[54] **FRAME FOR PRESSURIZED FLUID-OPERATING DEVICES**

5,025,834 6/1991 Stoll ..... 137/884 X  
5,107,897 4/1992 Stoll ..... 137/884

[75] Inventors: **Shigekazu Nagai; Koji Sugano**, both of Ibaraki-ken, Japan

*Primary Examiner*—Antoine Duval Davis  
*Attorney, Agent, or Firm*—Oblon, Spivak, McClelland, Maier, & Neustadt, P.C.

[73] Assignee: **SMC Kabushiki Kaisha**, Tokyo, Japan

[\*\*] Term: **14 Years**

[57] **CLAIM**

[21] Appl. No.: **37,641**

The ornamental design for a frame for pressurized fluid-operating devices, as shown and described.

[22] Filed: **Apr. 18, 1995**

**DESCRIPTION**

[30] **Foreign Application Priority Data**

FIG. 1 is a top plan view of a frame for pressurized fluid-operating devices, showing our new design;

Oct. 19, 1993 [JP] Japan ..... 6-31721

FIG. 2 is a front view thereof;

[52] **U.S. Cl.** ..... **D23/249**

FIG. 3 is a right side view thereof the left side view being identical;

[58] **Field of Search** ..... D23/233, 235, D23/249; D25/119, 120; 137/861, 884

FIG. 4 is a bottom view thereof; and,

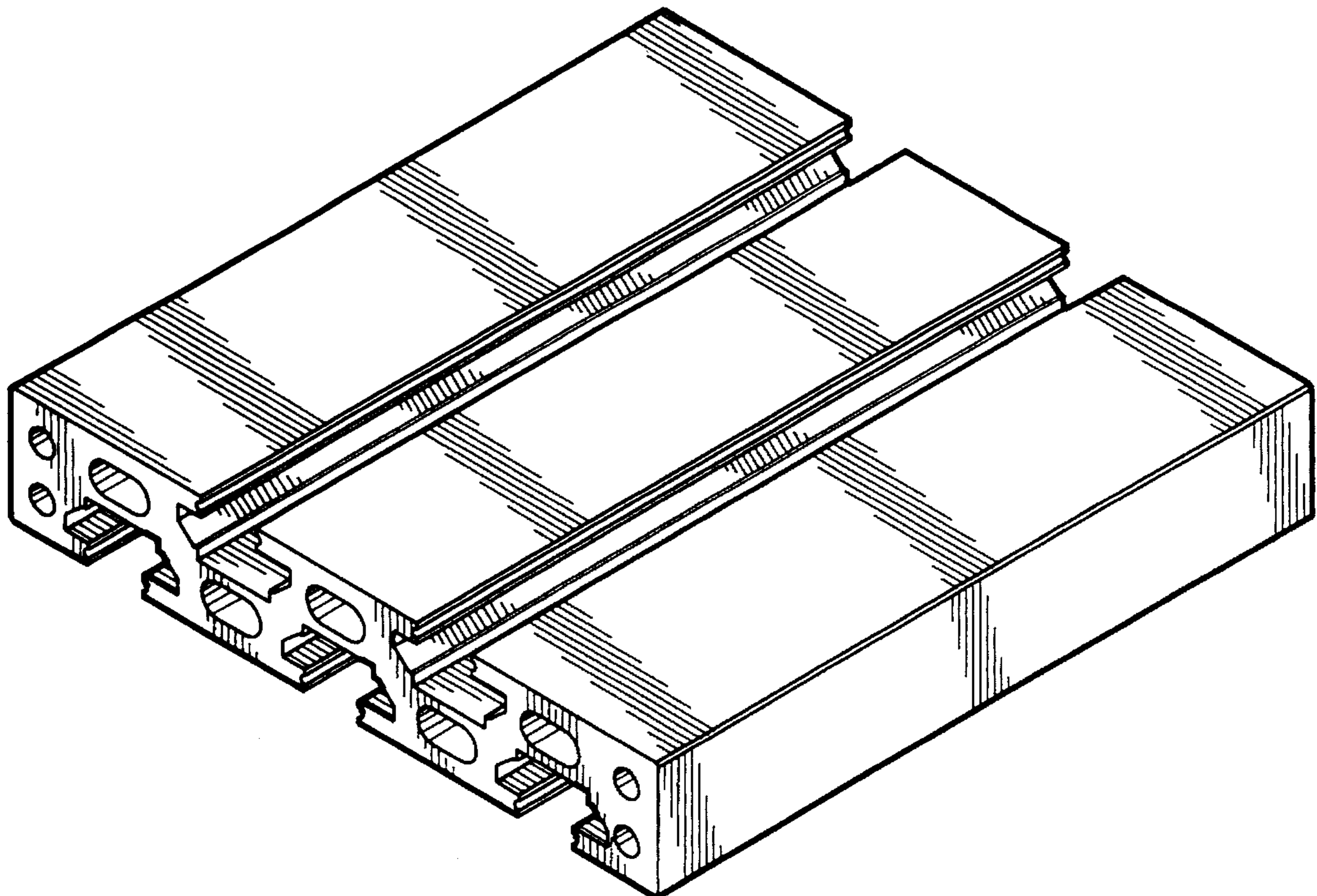
[56] **References Cited**

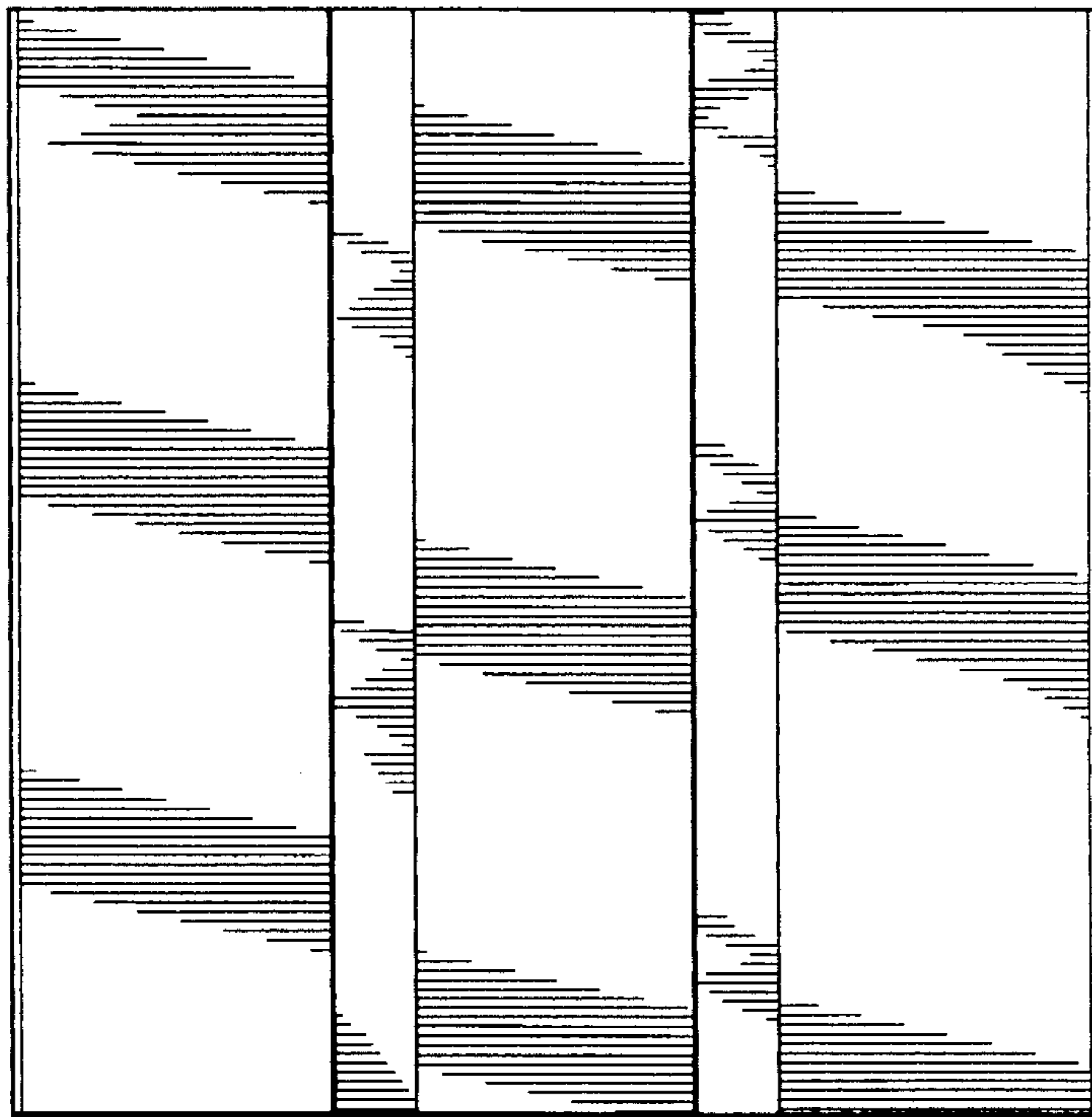
FIG. 5 is a perspective view thereof.

**U.S. PATENT DOCUMENTS**

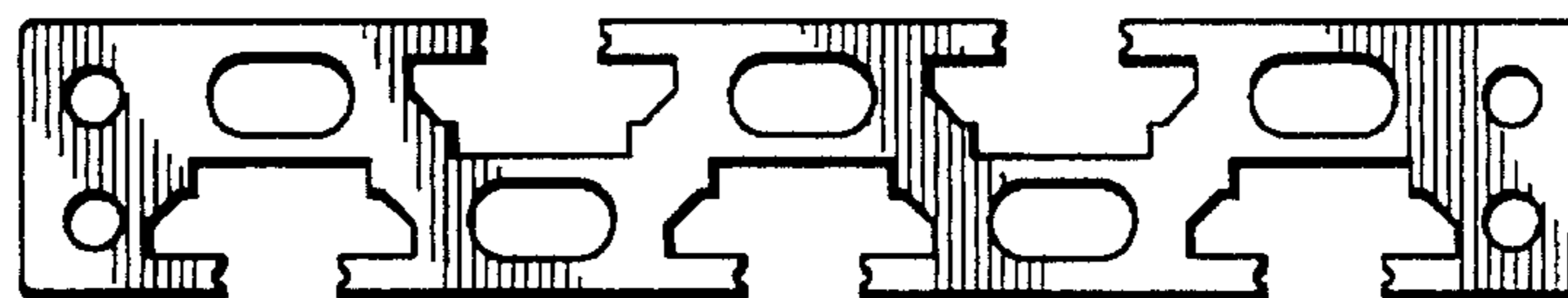
1,796,316 3/1931 Bemis ..... D25/120 X

**1 Claim, 2 Drawing Sheets**

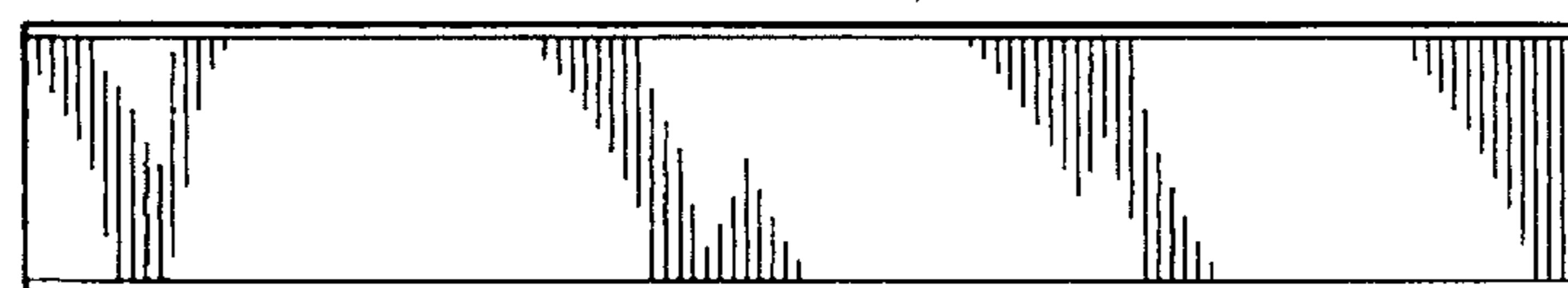




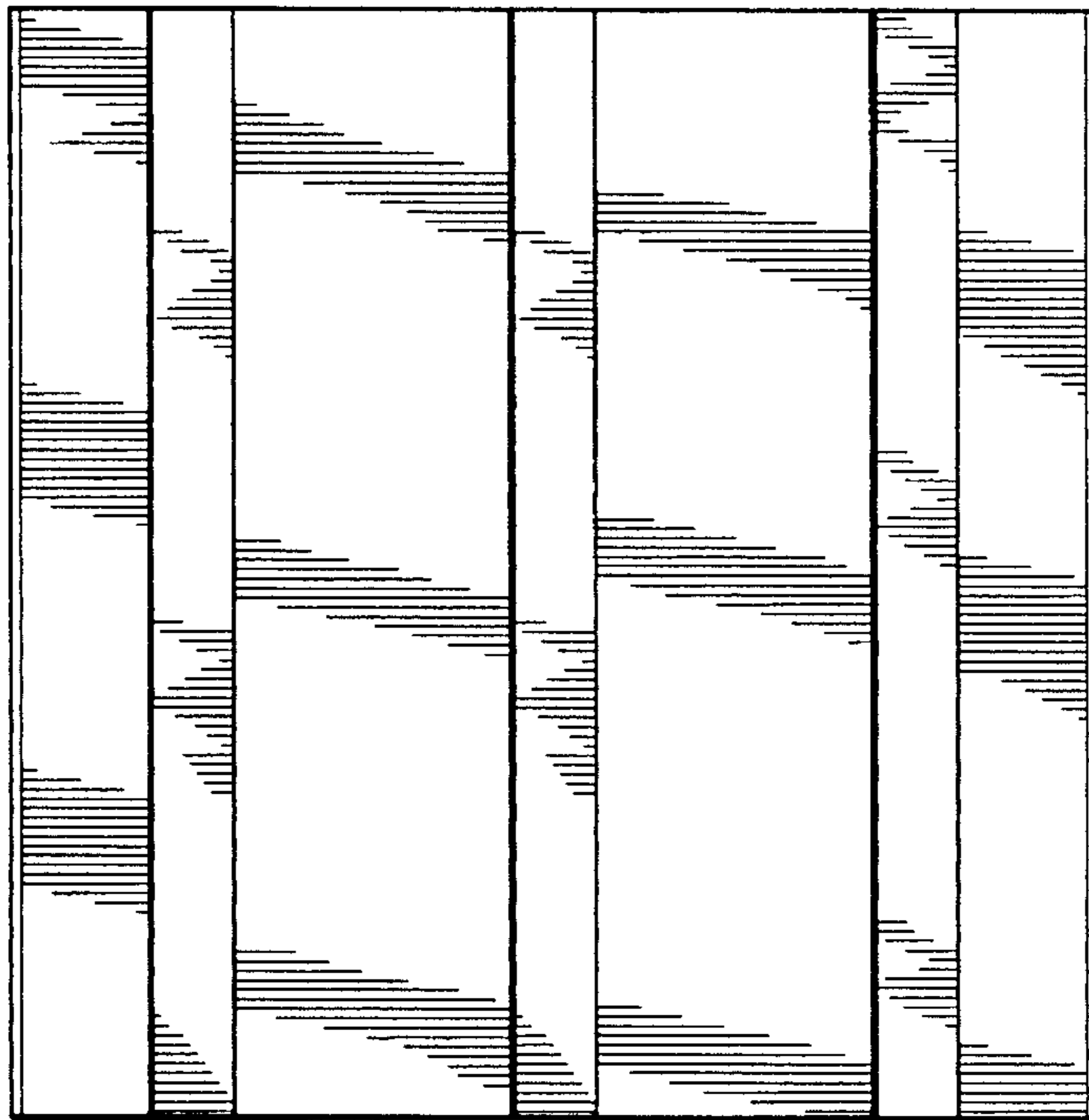
*FIG. 1*



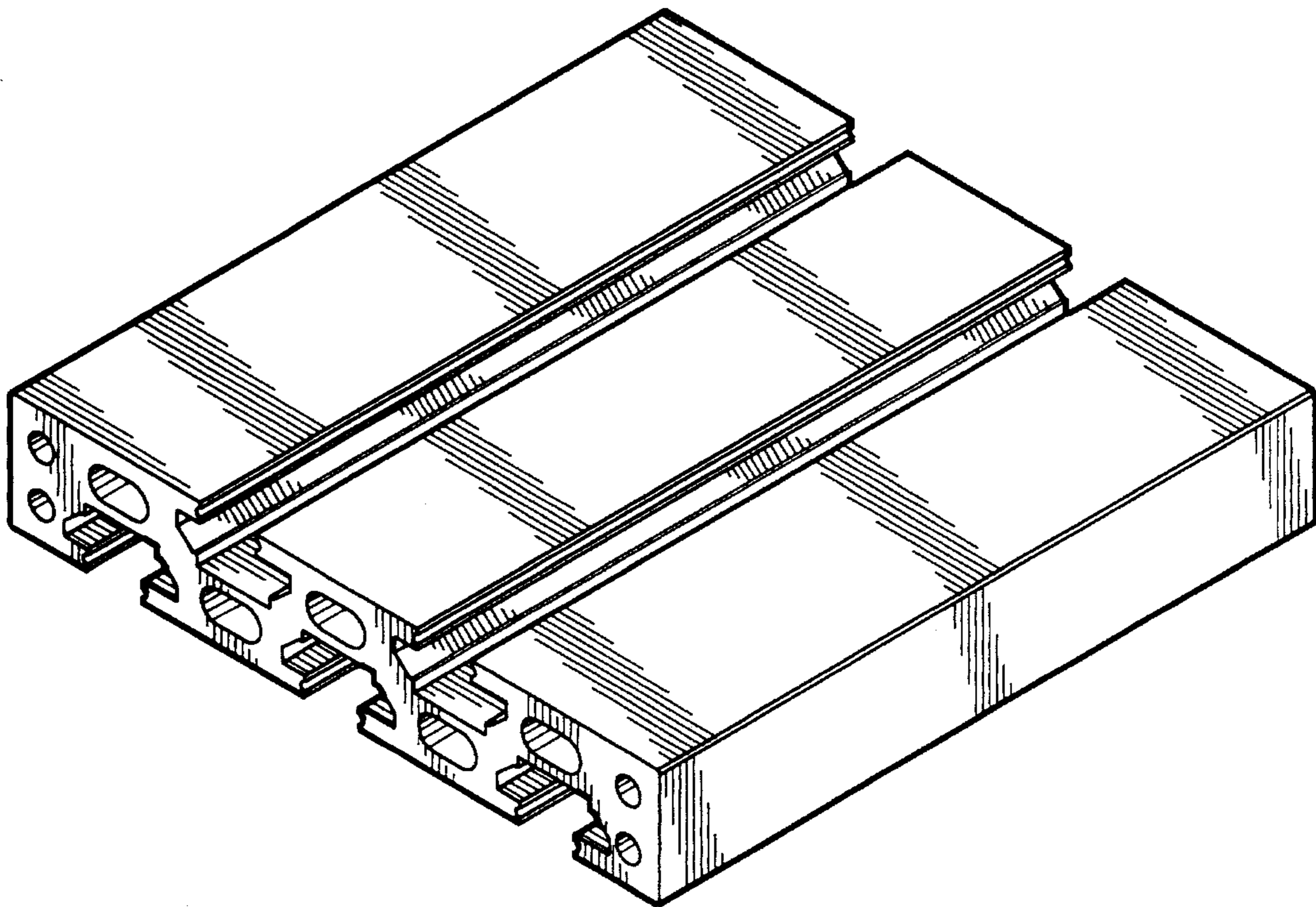
*FIG. 2*



*FIG. 3*



*FIG. 4*



*FIG. 5*

UNITED STATES PATENT AND TRADEMARK OFFICE  
**CERTIFICATE OF CORRECTION**

PATENT NO. : Des. 372,959  
DATED : August 20, 1996  
INVENTOR(S) : Shigekazu NAGAI, et al.

It is certified that error appears in the above-identified patent and that said Letters Patent is hereby corrected as shown below:

On the title page, Item [30], the Foreign Application Priority Data, should read:

--[30] Foreign Application Priority Data  
Oct. 19, 1994 [JP] Japan.....6-31721--

Signed and Sealed this  
Nineteenth Day of November, 1996

Attest:



BRUCE LEHMAN

Attesting Officer

Commissioner of Patents and Trademarks