



US00D372958S

**United States Patent** [19]  
**Gottwald**

[11] **Patent Number: Des. 372,958**  
[45] **Date of Patent: \*\*\* Aug. 20, 1996**

[54] **FAUCET**  
[75] **Inventor: Adolf Gottwald, Iserlohn, Germany**  
[73] **Assignee: Friedrich Grohe Aktiengesellschaft, Hemer, Germany**  
[\*] **Notice:** The portion of the term of this patent subsequent to Jul. 2, 2010, has been disclaimed.  
[\*\*] **Term: 14 Years**

D. 343,227 1/1994 Dannenberg et al. .... D23/238  
4,827,538 5/1989 Heimann et al. .... 4/677  
5,361,431 11/1994 Freier et al. .... 4/677

*Primary Examiner*—Louis S. Zarfaz  
*Assistant Examiner*—Eric Watterson  
*Attorney, Agent, or Firm*—Herbert Dubno

[21] **Appl. No.: 37,457**  
[22] **Filed: Apr. 13, 1995**  
[30] **Foreign Application Priority Data**  
Oct. 31, 1994 [DE] Germany ..... 94 08 465.3  
[52] **U.S. Cl. .... D23/238**  
[58] **Field of Search .... D23/238-243, D23/250-258; 4/623, 675-678; 137/801**

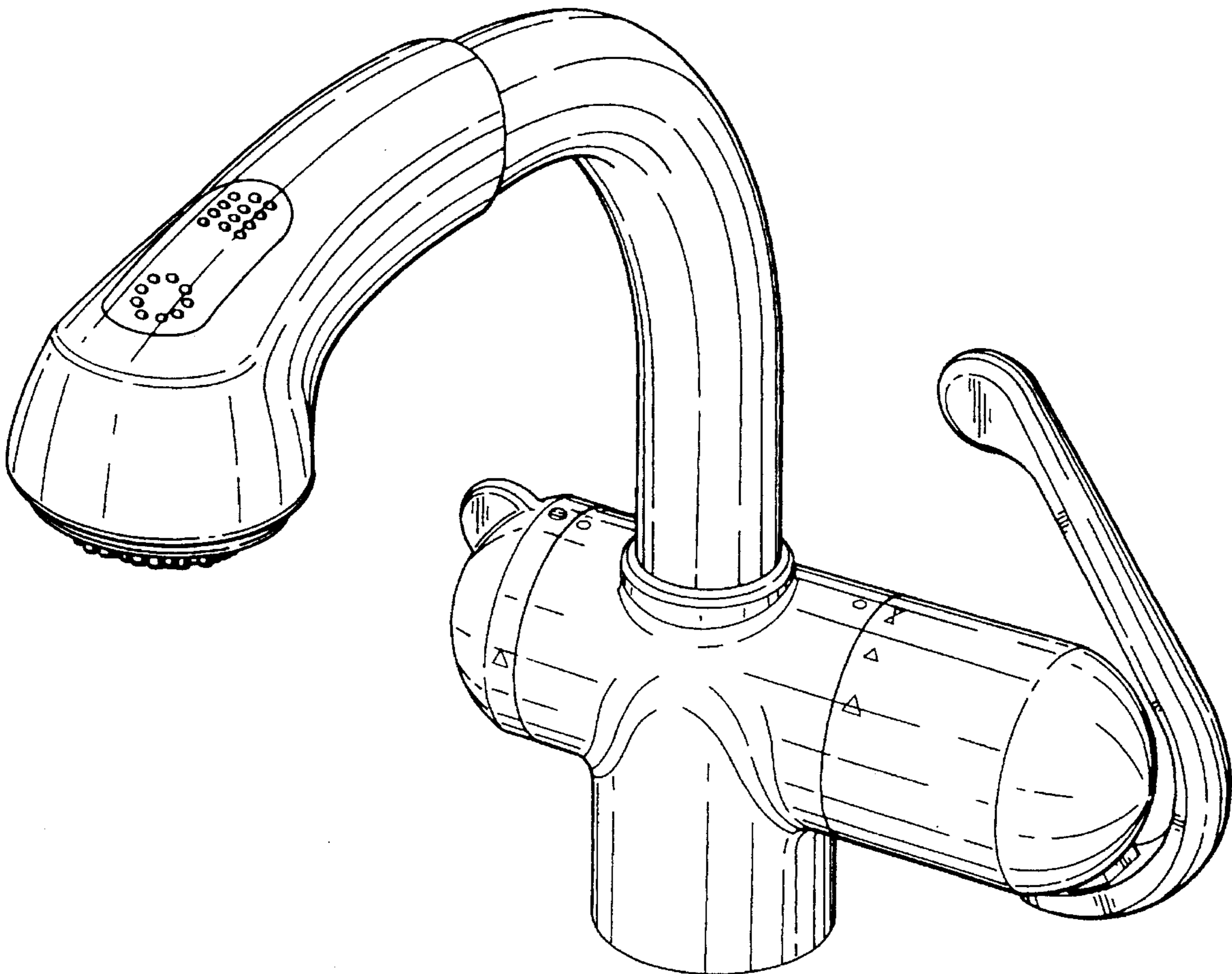
[57] **CLAIM**  
The ornamental design for a faucet, as shown.

**DESCRIPTION**

FIG. 1 is a top, front, right-side perspective view of a faucet showing my new design;  
FIG. 2 is a right side elevational view thereof;  
FIG. 3 is a left side elevational view thereof;  
FIG. 4 is a front view thereof;  
FIG. 5 is a rear view thereof;  
FIG. 6 is a top view thereof; and,  
FIG. 7 is a bottom view thereof.

[56] **References Cited**  
**U.S. PATENT DOCUMENTS**  
D. 219,739 1/1971 Niemann ..... D23/238

**1 Claim, 7 Drawing Sheets**



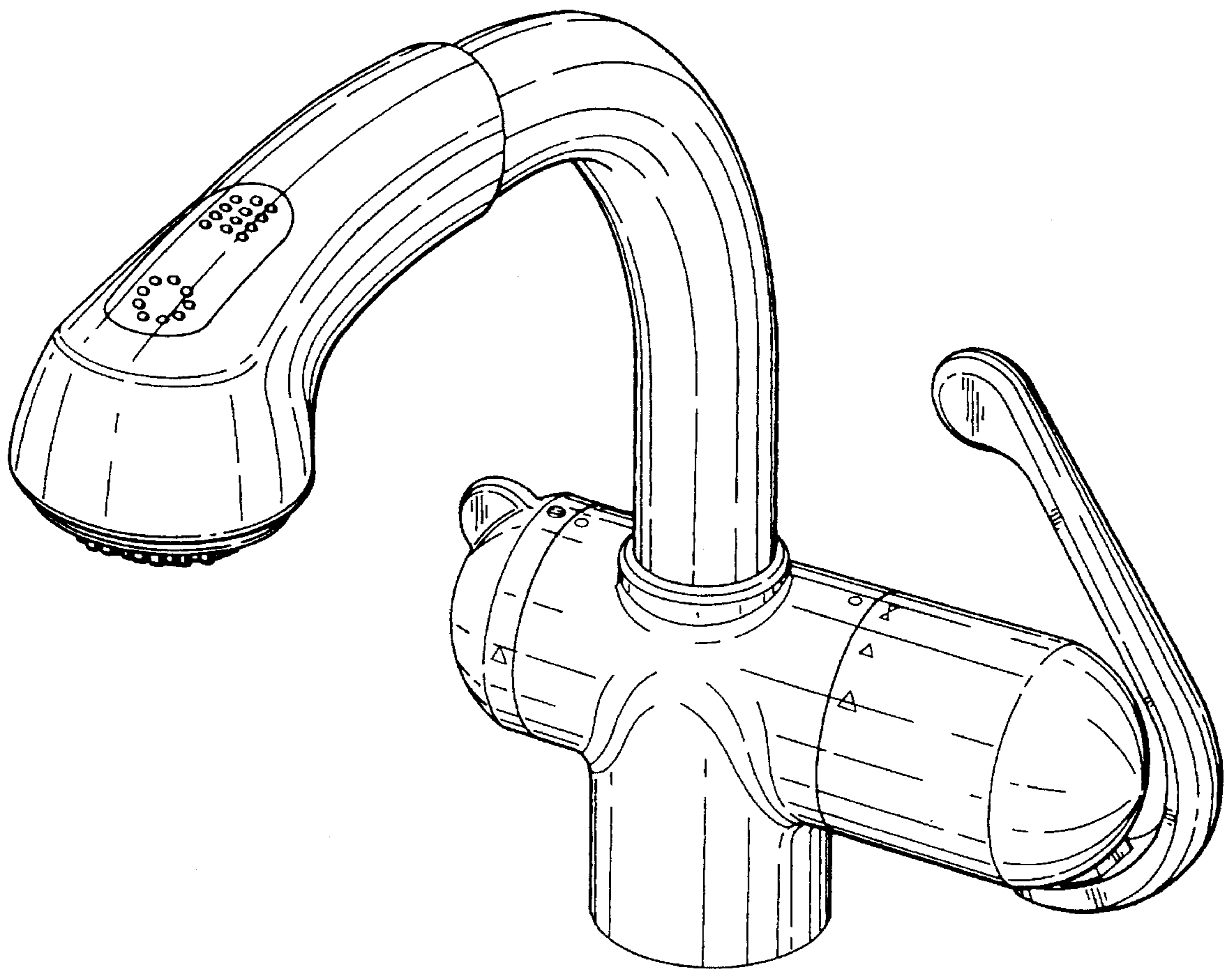


FIG. 1

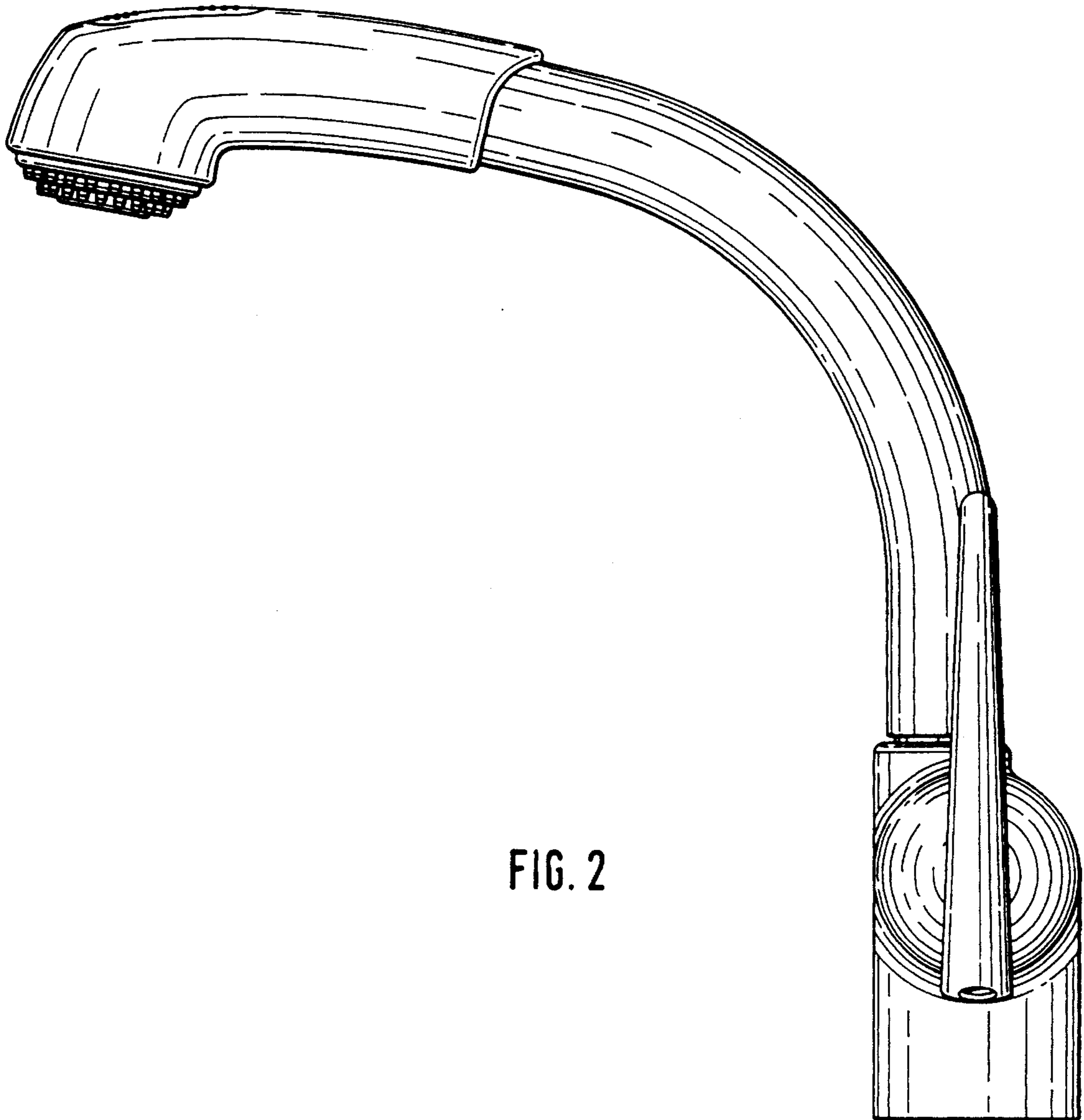


FIG. 2

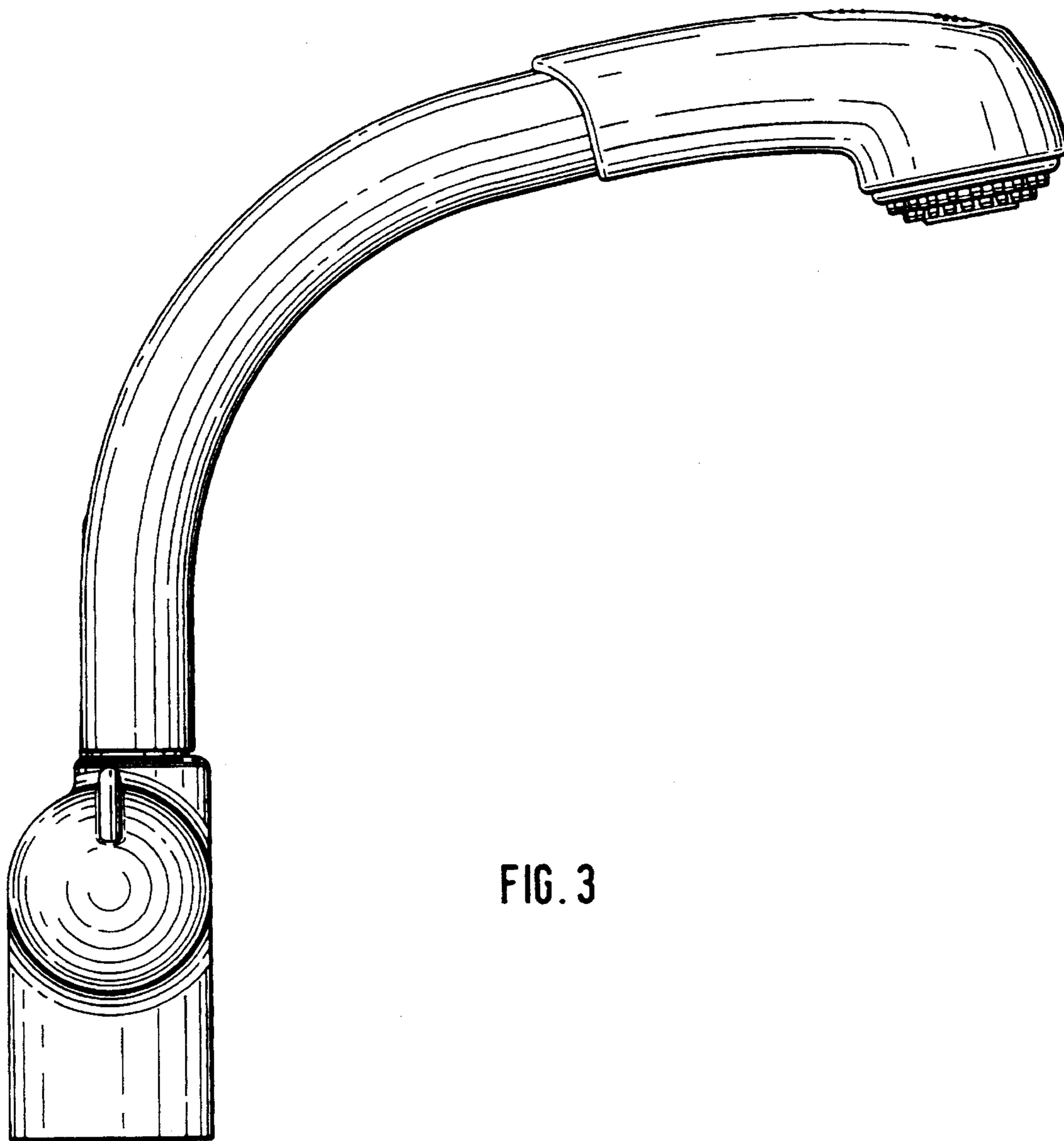


FIG. 3

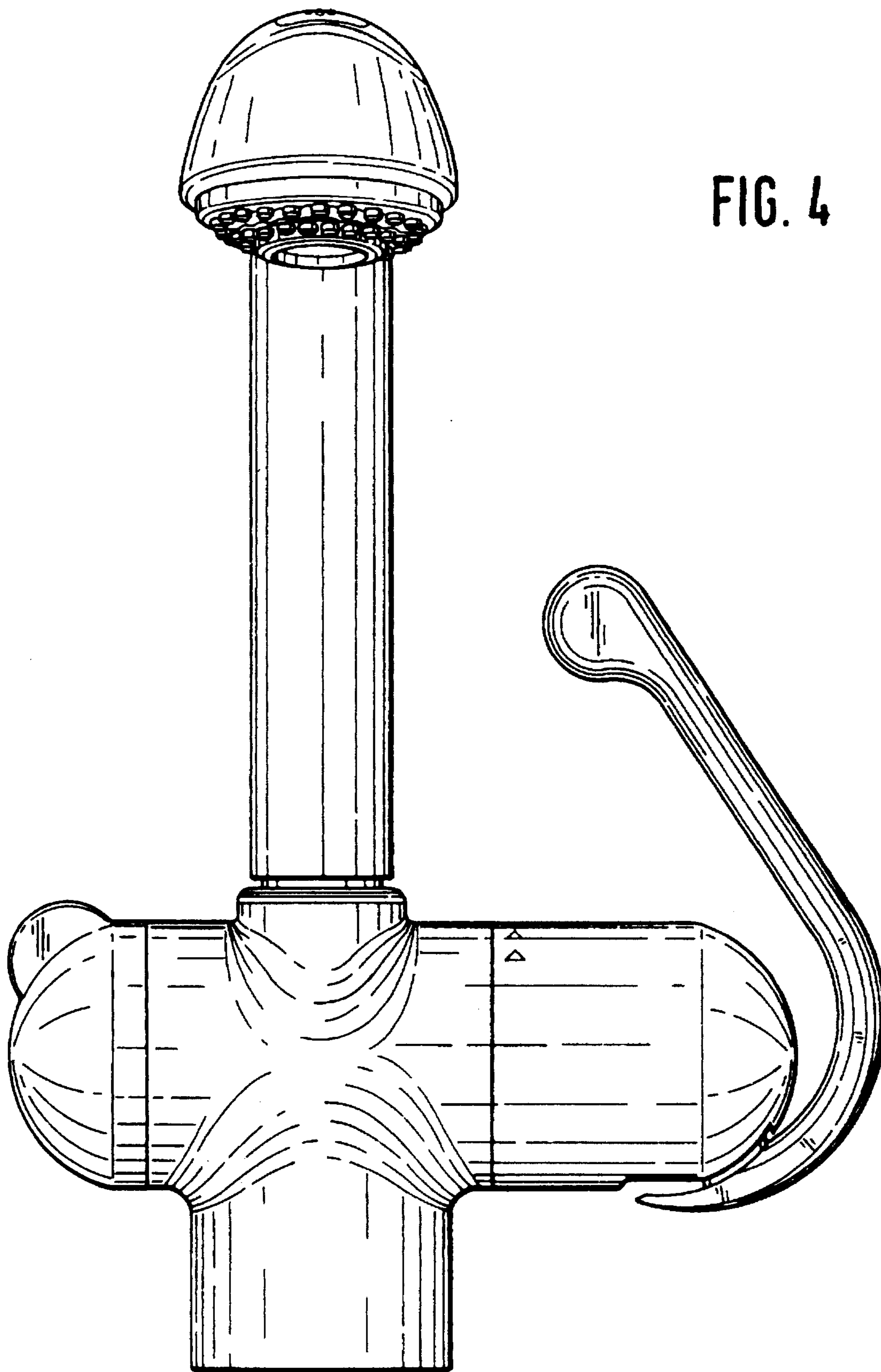
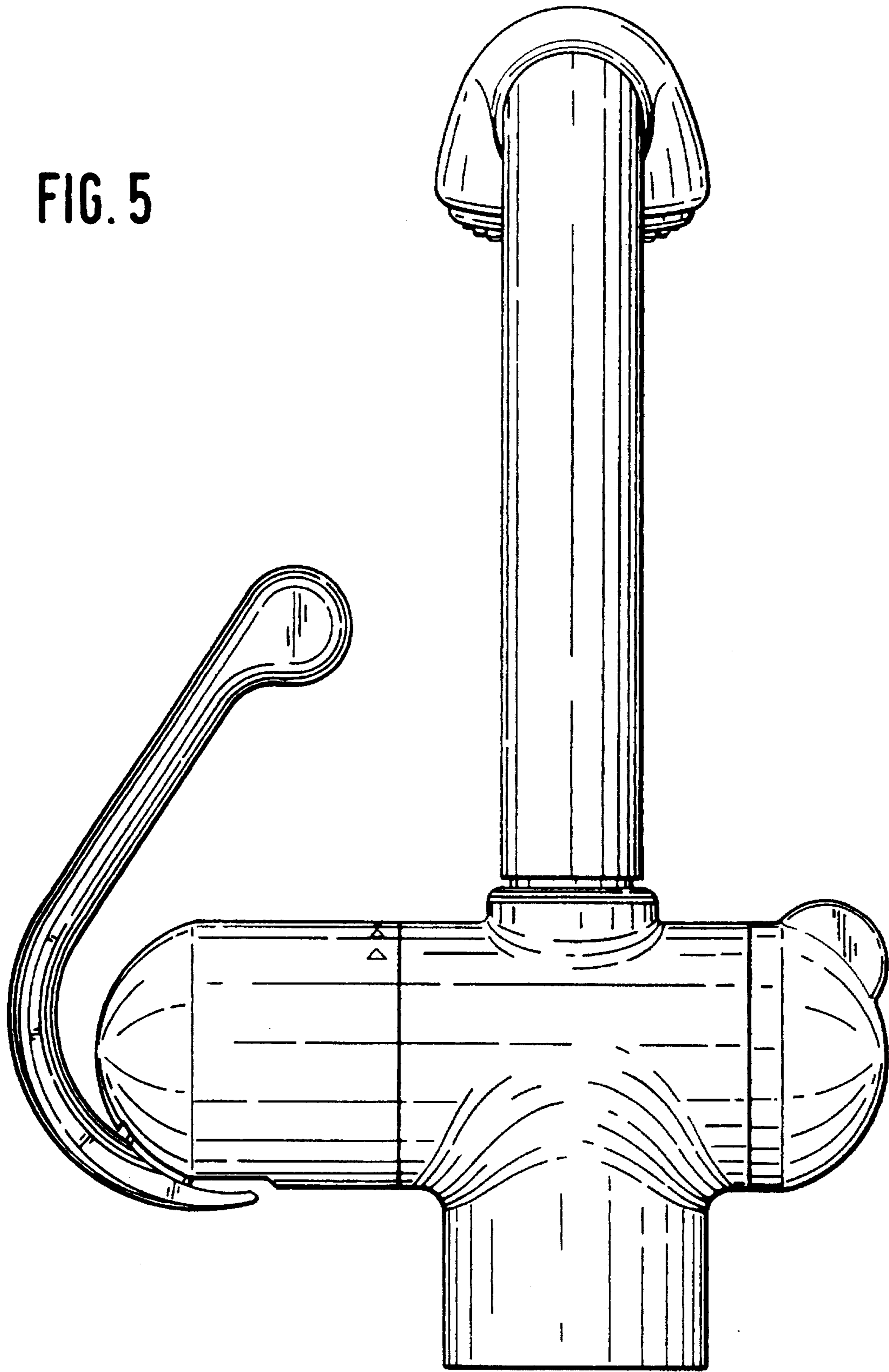


FIG. 5



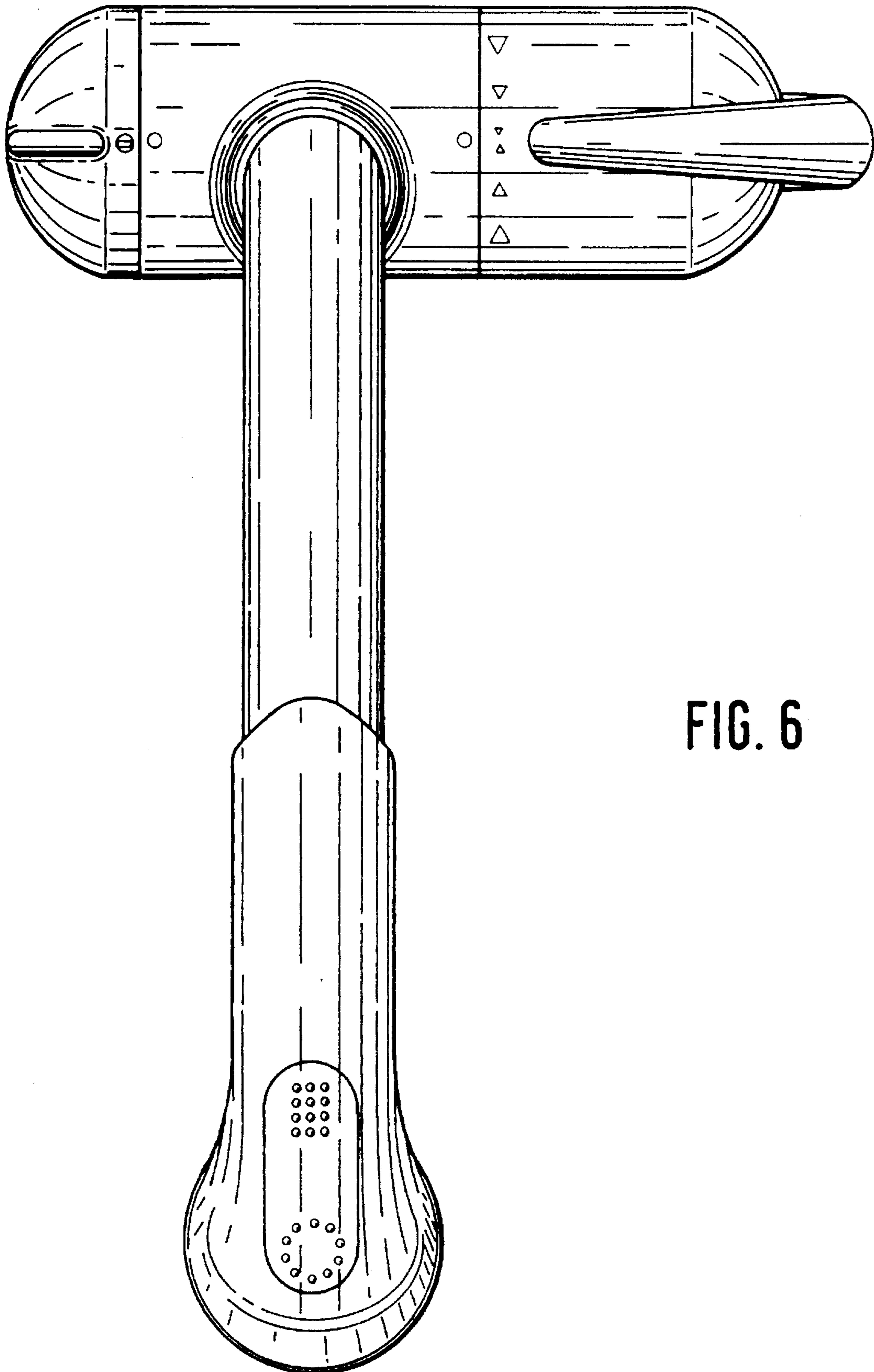


FIG. 6

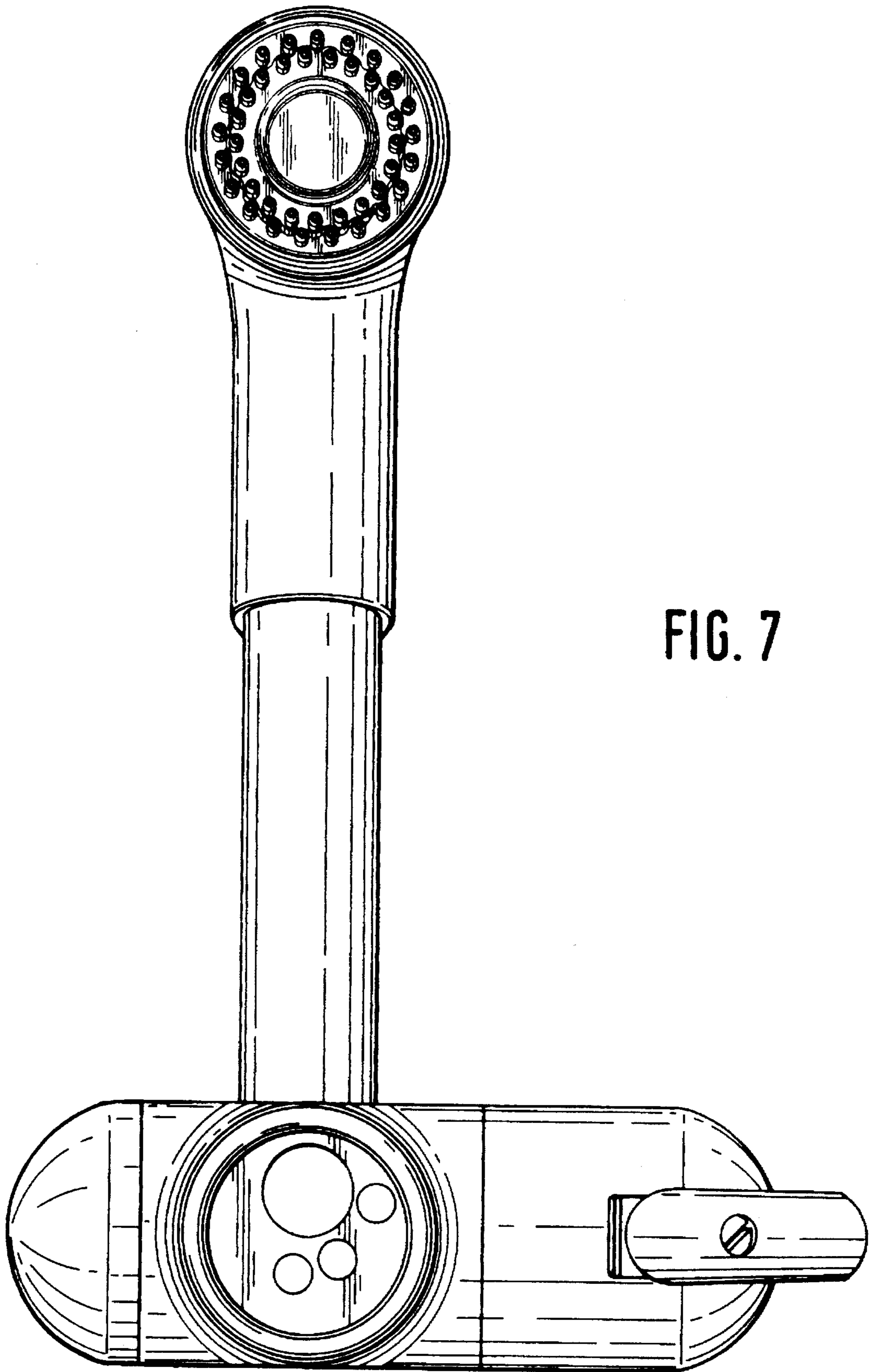


FIG. 7