



US00D372956S

United States Patent [19] Mills

[11] Patent Number: **Des. 372,956**

[45] Date of Patent: ****Aug. 20, 1996**

[54] **FISHING ROD HOLDER**

5,033,223 7/1991 Minter 248/538 X
5,438,789 8/1995 Emory 43/21.2

[76] Inventor: **Jonathan Mills**, 32 Lantern La.,
Acushnet, Mass. 02743

Primary Examiner—Doris V. Coles
Attorney, Agent, or Firm—Harold H. Dutton, Jr.; W. Charles
L. Jamison; Diane F. Liebman

[**] Term: **14 Years**

[21] Appl. No.: **44,057**

[57] **CLAIM**

[22] Filed: **Sep. 15, 1995**

The ornamental design for a fishing rod holder, as shown.

[52] U.S. Cl. **D22/147**

DESCRIPTION

[58] **Field of Search** D22/147, 148;
43/21.2, 15; 248/512, 519, 538, 514, 520,
523, 539, 532, 533

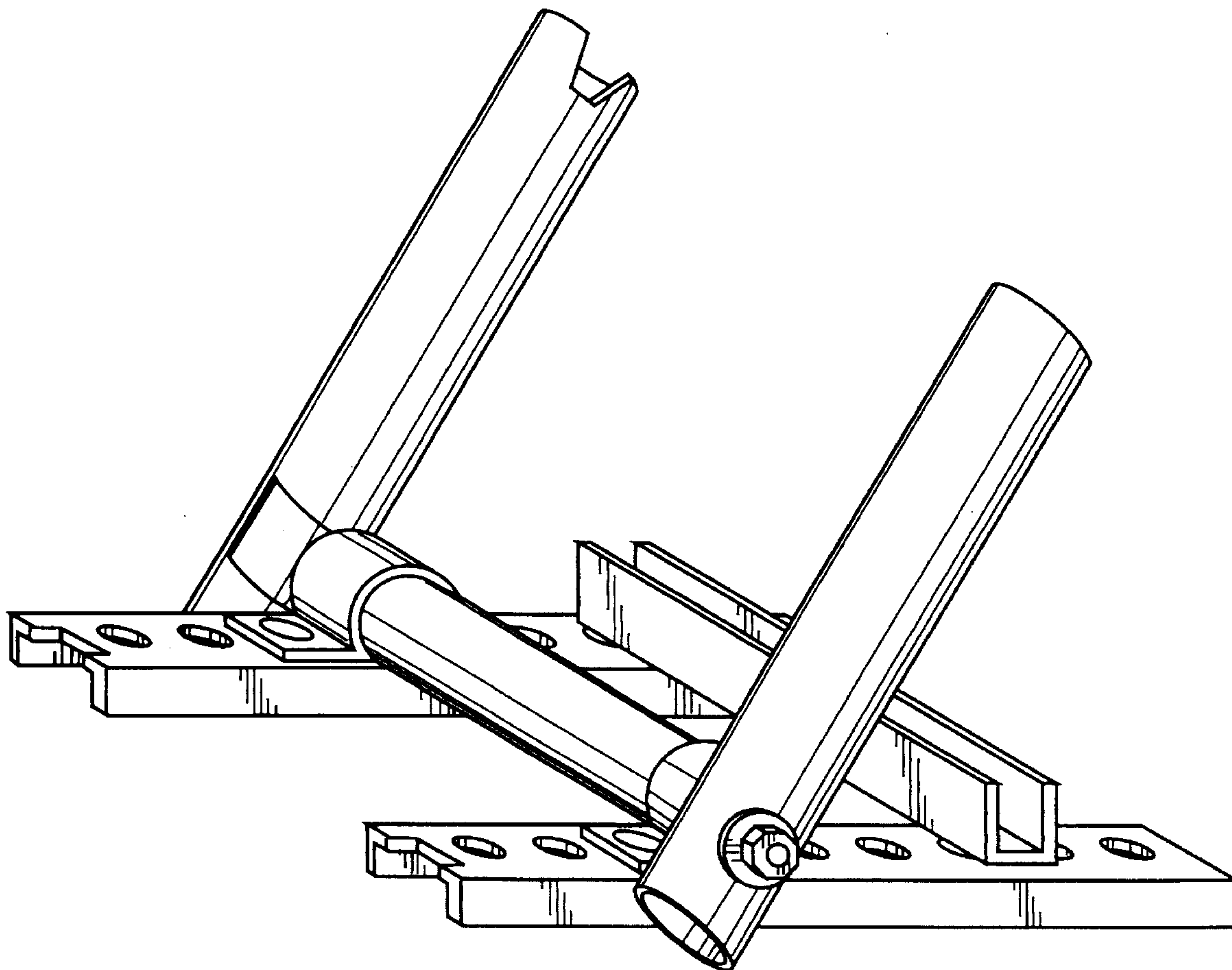
FIG. 1 is a perspective view of a fishing rod holder showing
my new design;
FIG. 2 is a left side view thereof;
FIG. 3 is a top view thereof;
FIG. 4 is a bottom view thereof;
FIG. 5 is a rear view thereof; and,
FIG. 6 is a front view thereof;

[56] **References Cited**

U.S. PATENT DOCUMENTS

D. 271,610	11/1983	Lummis	D22/147
D. 352,089	11/1994	Barber et al.	D22/147
4,650,146	3/1987	Duke	248/512

1 Claim, 5 Drawing Sheets



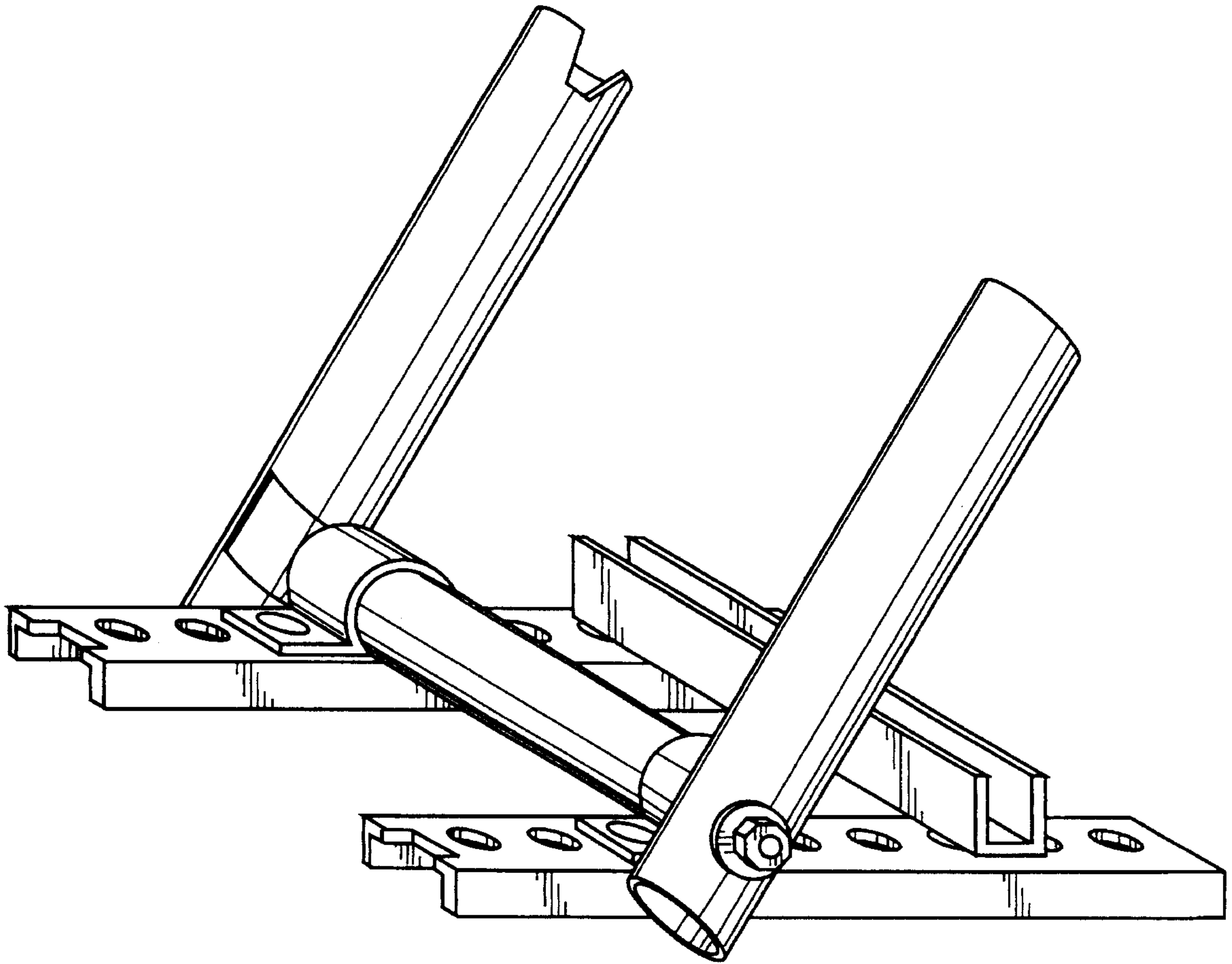


FIG. 1

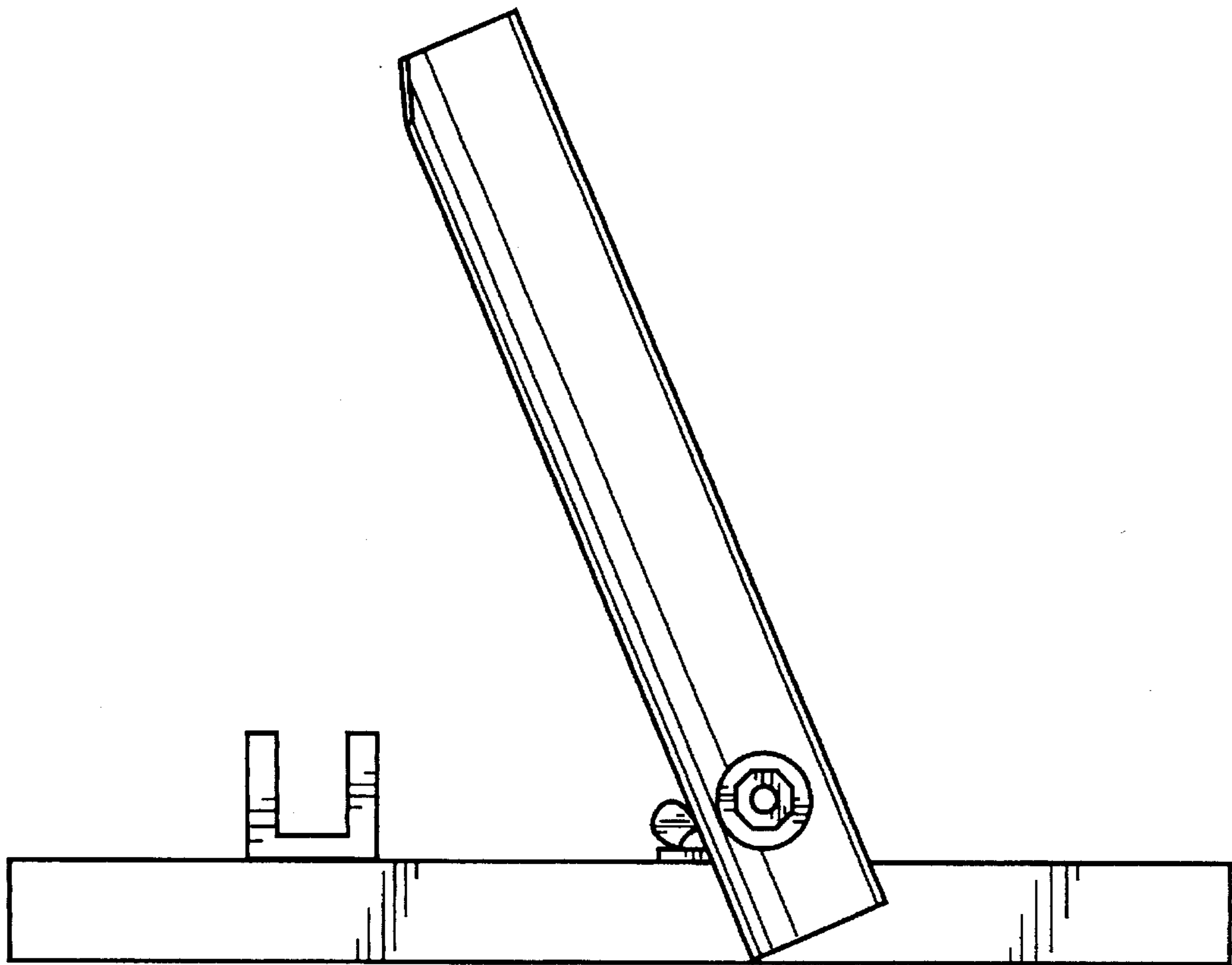


FIG. 2

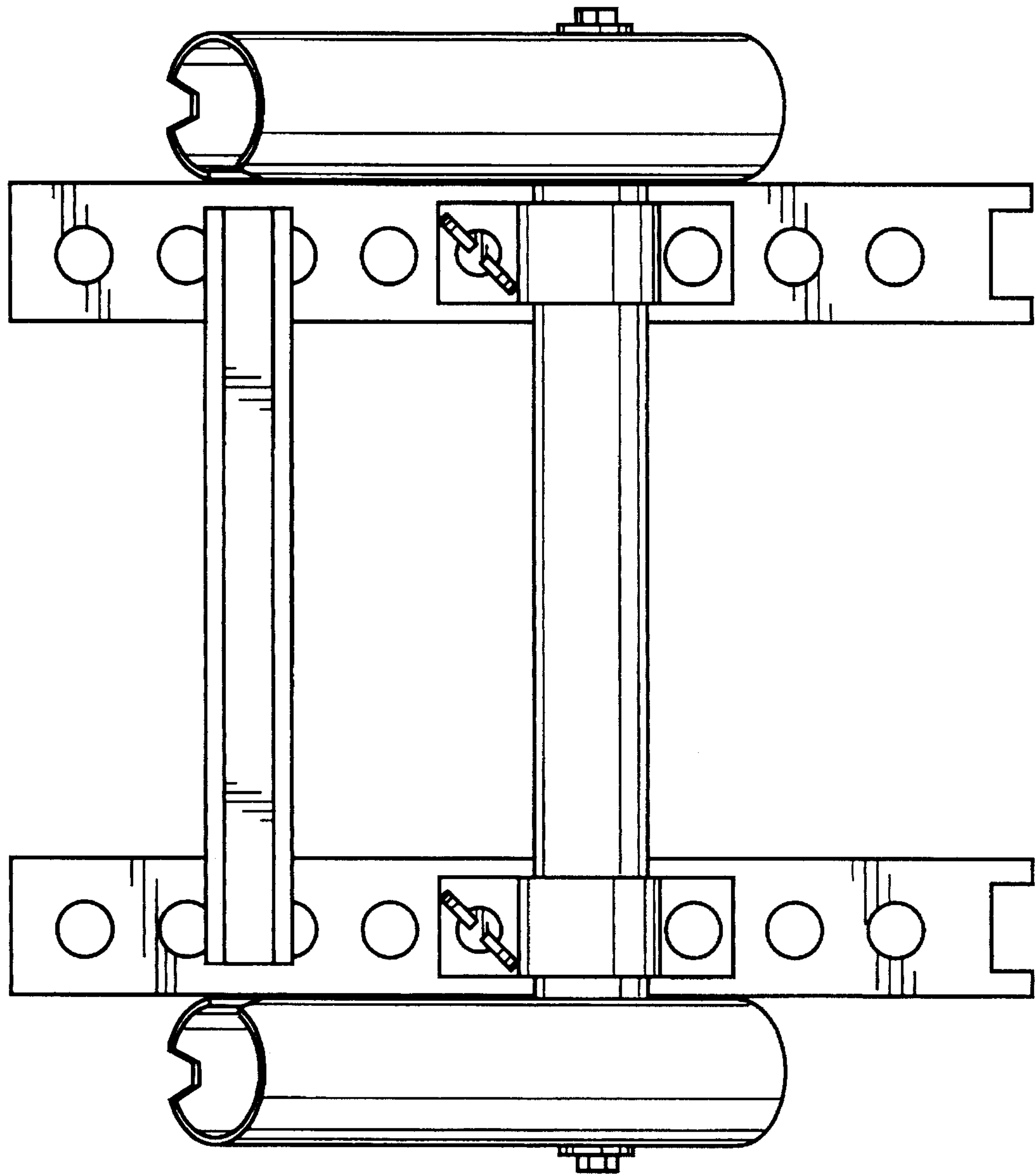


FIG. 3

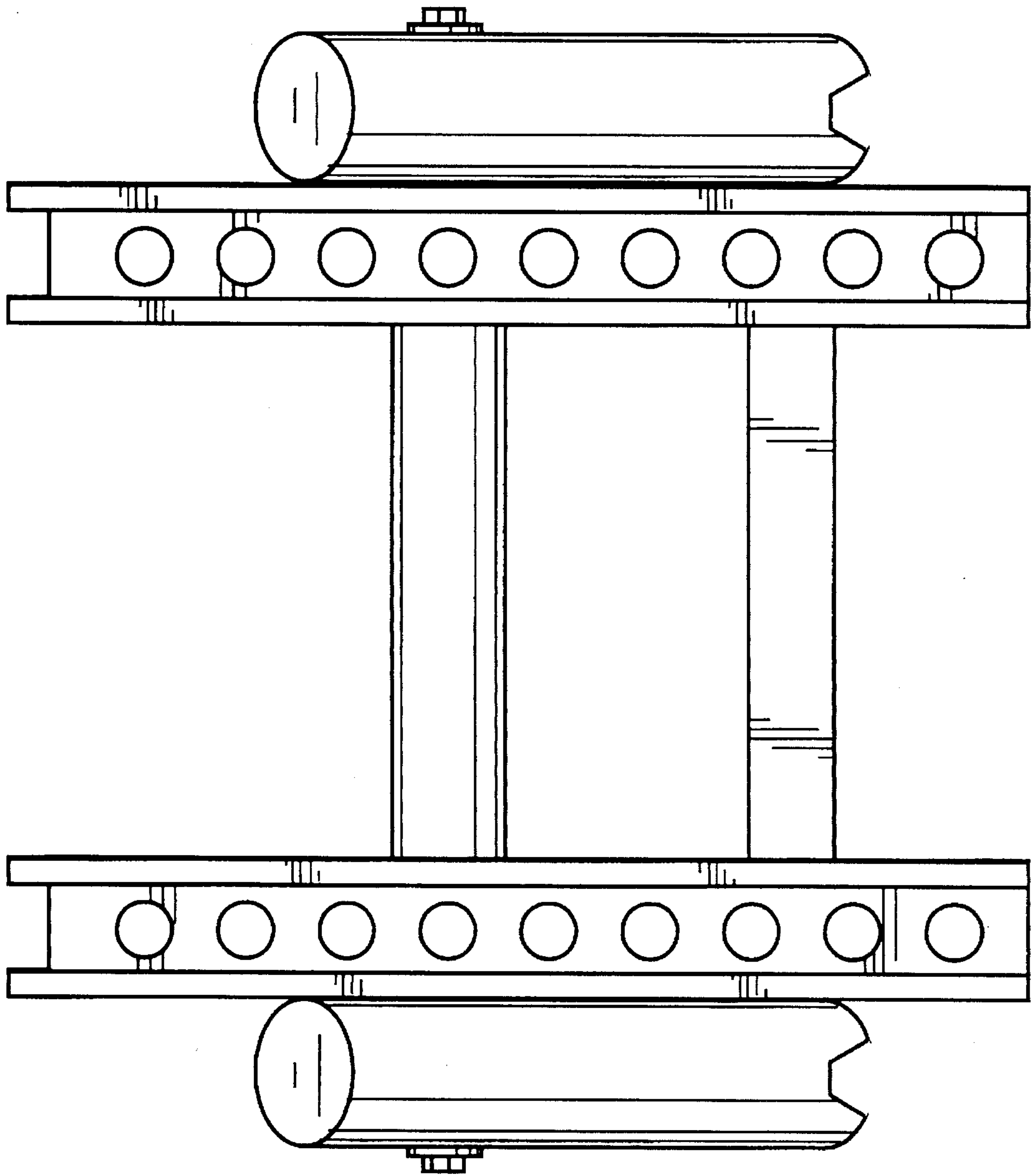


FIG. 4

FIG. 5

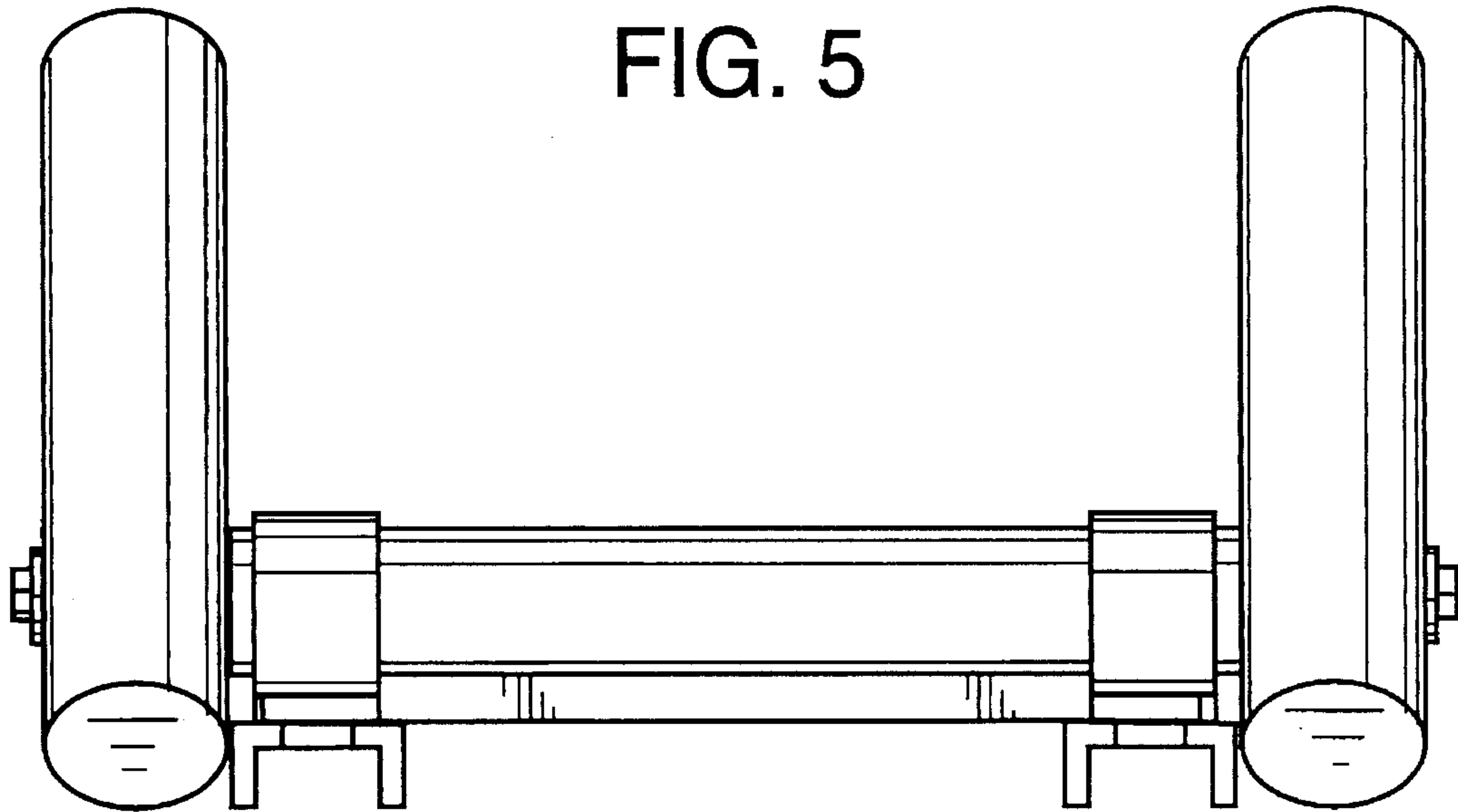


FIG. 6

