



US00D372954S

United States Patent [19]

[11] Patent Number: **Des. 372,954**

Coniglio et al.

[45] Date of Patent: ****Aug. 20, 1996**

[54] **RATTLING GLO-EYES JIG**

[76] Inventors: **James Coniglio**, 2107 S. Kenilworth;
Vincent J. Coniglio, 2113 Wisconsin,
both of Berwyn, Ill. 60402

[**] Term: **14 Years**

[21] Appl. No.: **34,794**

[22] Filed: **Feb. 13, 1995**

[52] U.S. Cl. **D22/126; D22/132**

[58] Field of Search D22/126-133;
43/42.32, 42.31, 42.39, 42.35, 42.48, 42.24,
42.33, 42.28

[56] **References Cited**

U.S. PATENT DOCUMENTS

D. 169,303	4/1953	Dawson	D22/132 X
D. 286,317	10/1986	Orlick et al.	D22/127
1,999,522	4/1935	Van Houten	43/42.28
2,617,227	11/1952	Kneece et al.	43/42.28
2,787,859	4/1957	Bay	D22/128 X

3,705,465	12/1972	Charney	43/42.35 X
3,895,455	7/1975	Johnston	D22/126 X
3,947,989	4/1976	Bart	43/42.28 X
4,747,228	5/1988	Giovengo, Jr.	43/42.31
4,870,776	10/1989	Schock	D22/126 X
5,121,568	6/1992	Lindmeyer	43/42.31

Primary Examiner—Doris V. Coles

Attorney, Agent, or Firm—Basil E. Demeur; Alan B. Samlan

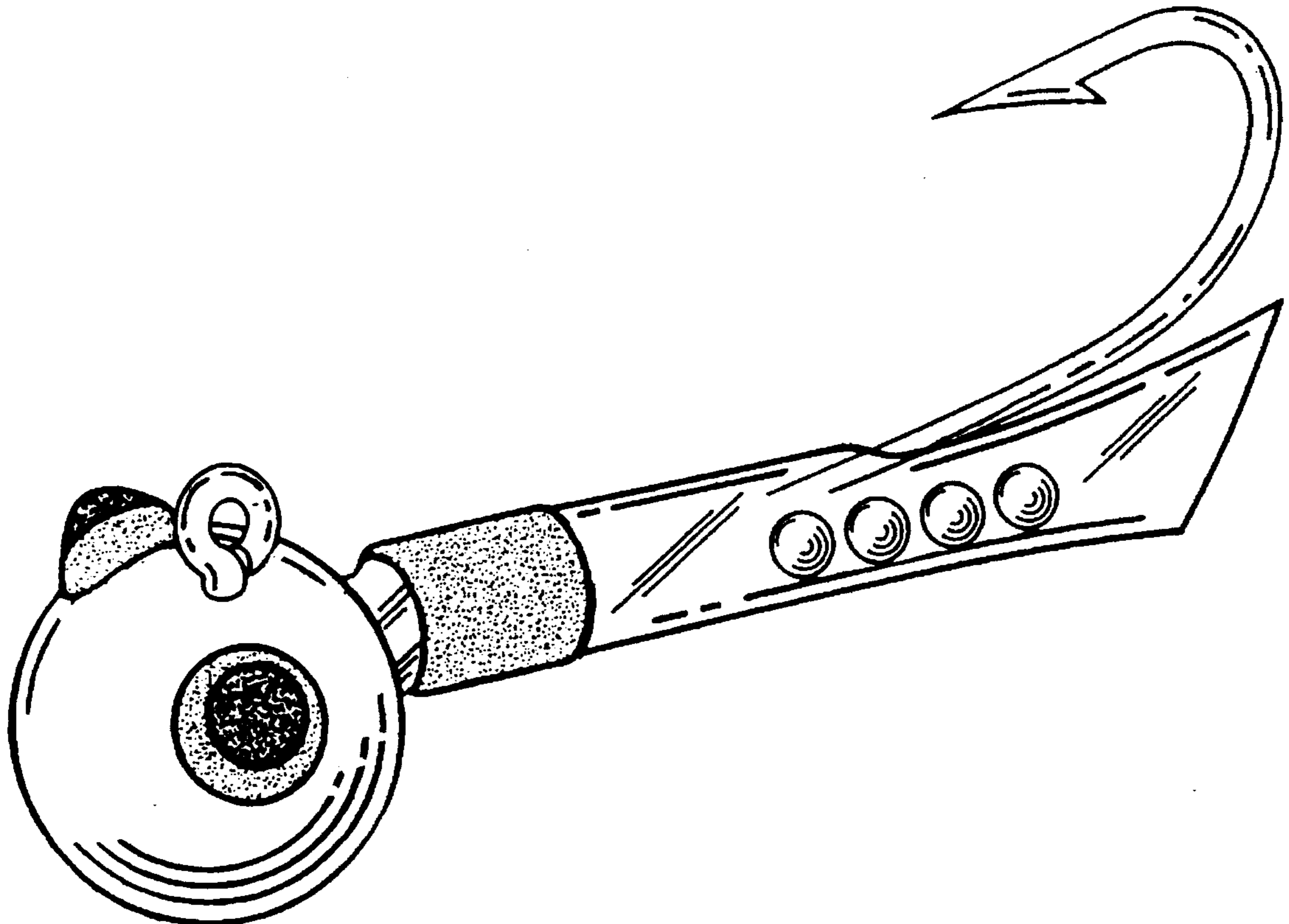
[57] **CLAIM**

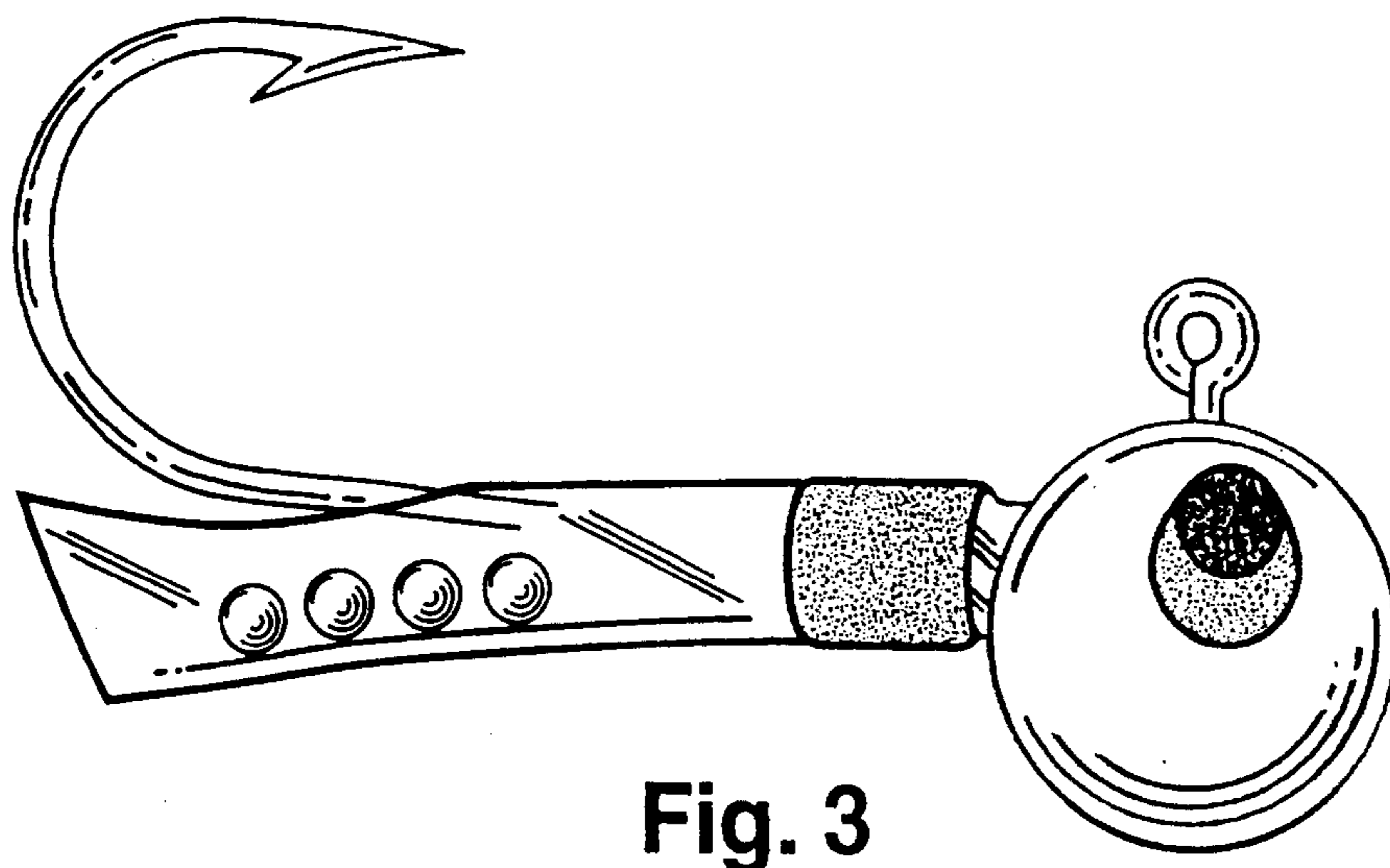
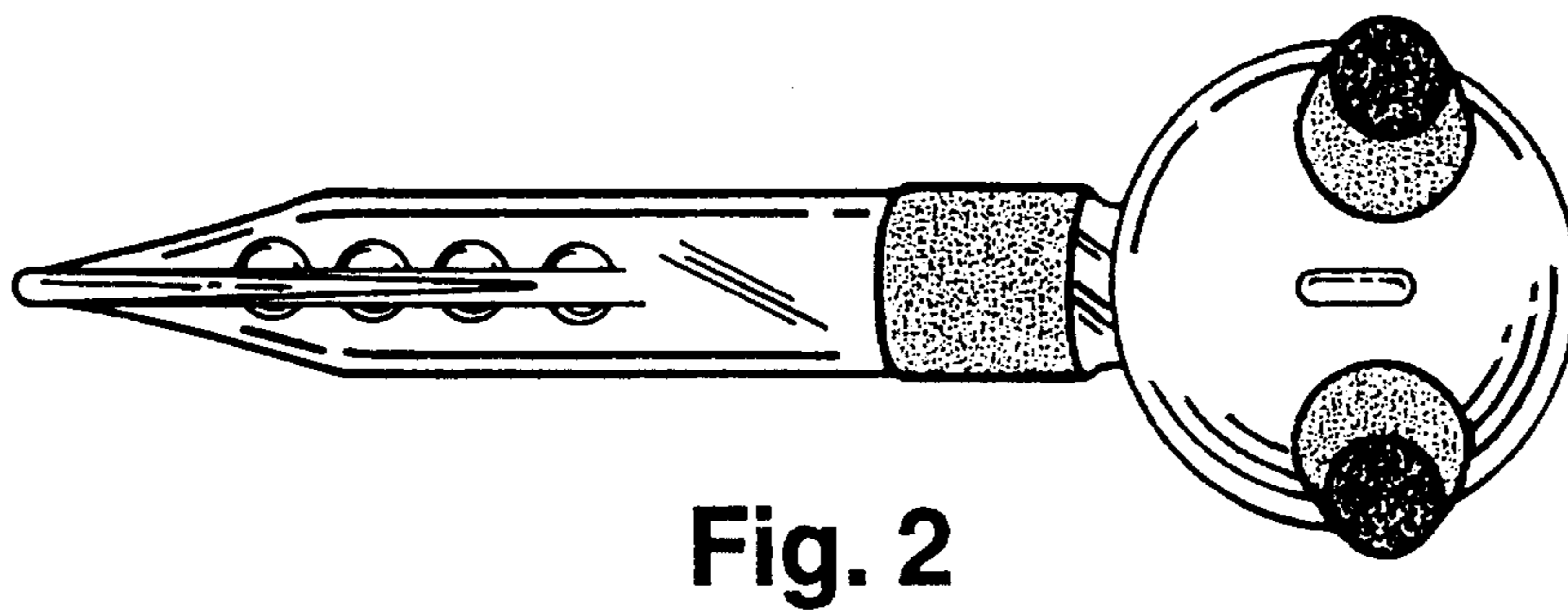
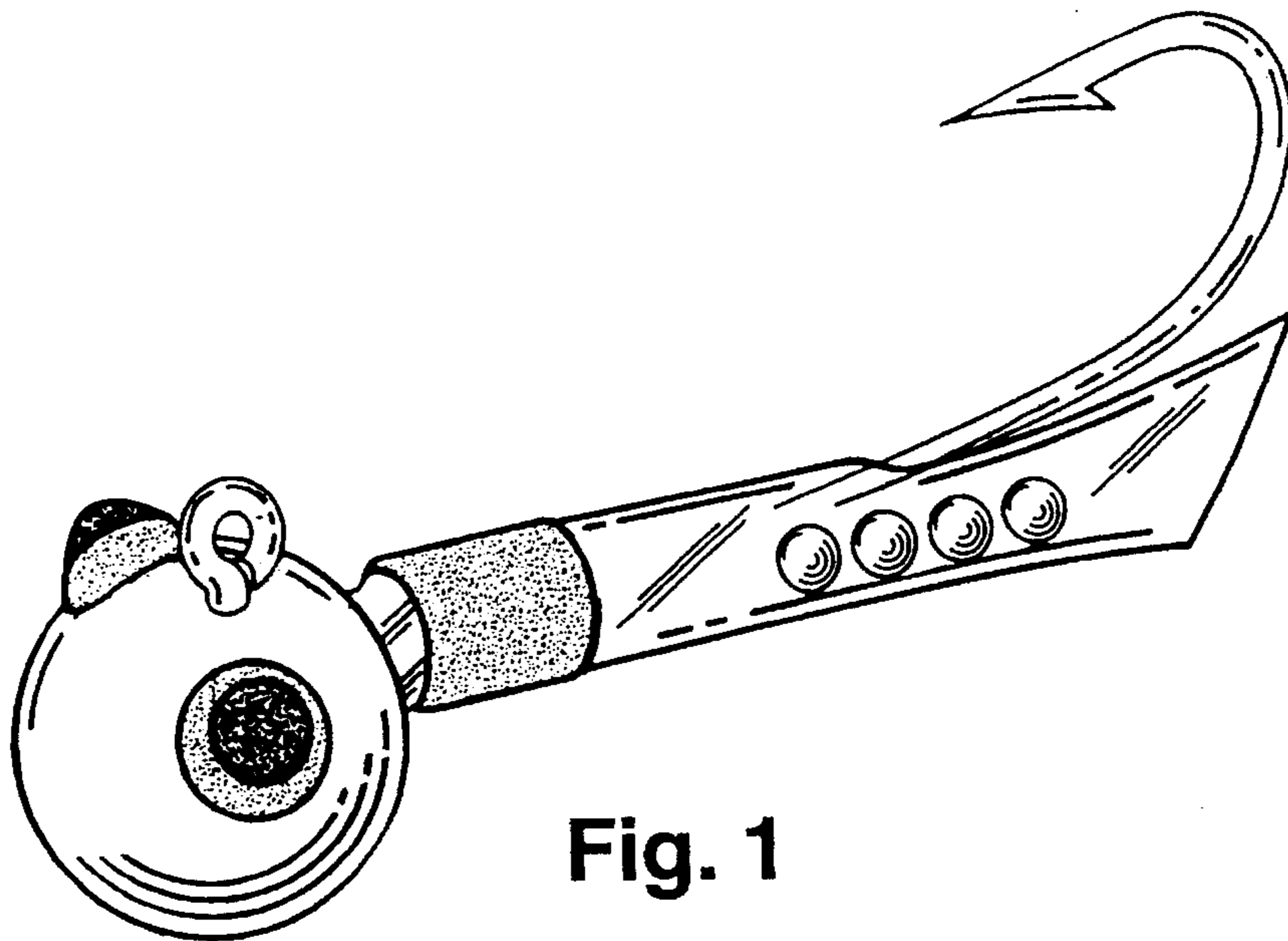
The ornamental design for a rattling glo-eyes jig, as shown and described.

DESCRIPTION

FIG. 1 is a perspective view of a rattling glo-eyes jig, showing our new design;
FIG. 2 is a top view thereof;
FIG. 3 is a side elevational view thereof;
FIG. 4 is a front elevational view thereof;
FIG. 5 is a rear elevational view thereof; and,
FIG. 6 is a bottom view thereof.

1 Claim, 2 Drawing Sheets





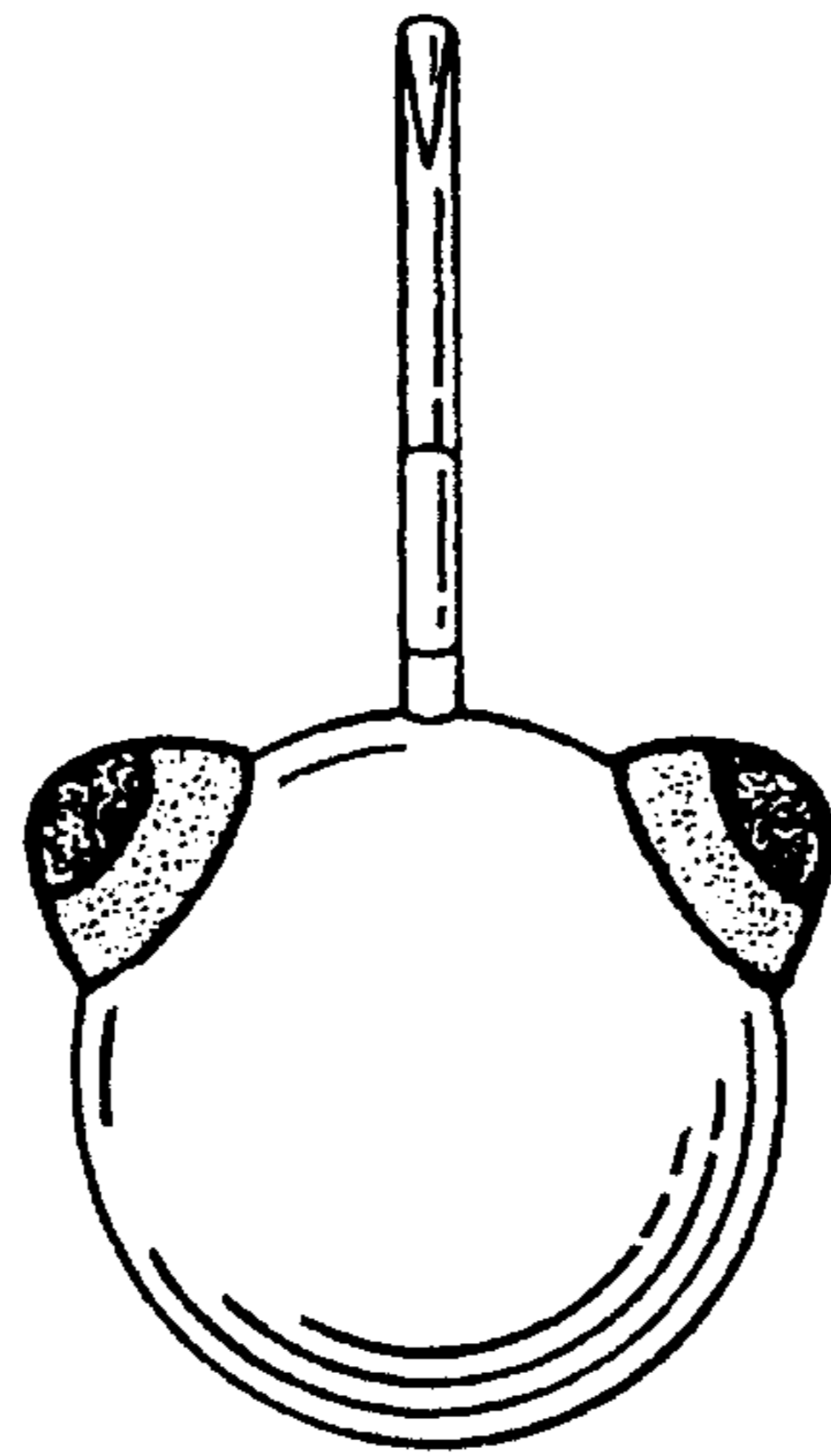


Fig. 4

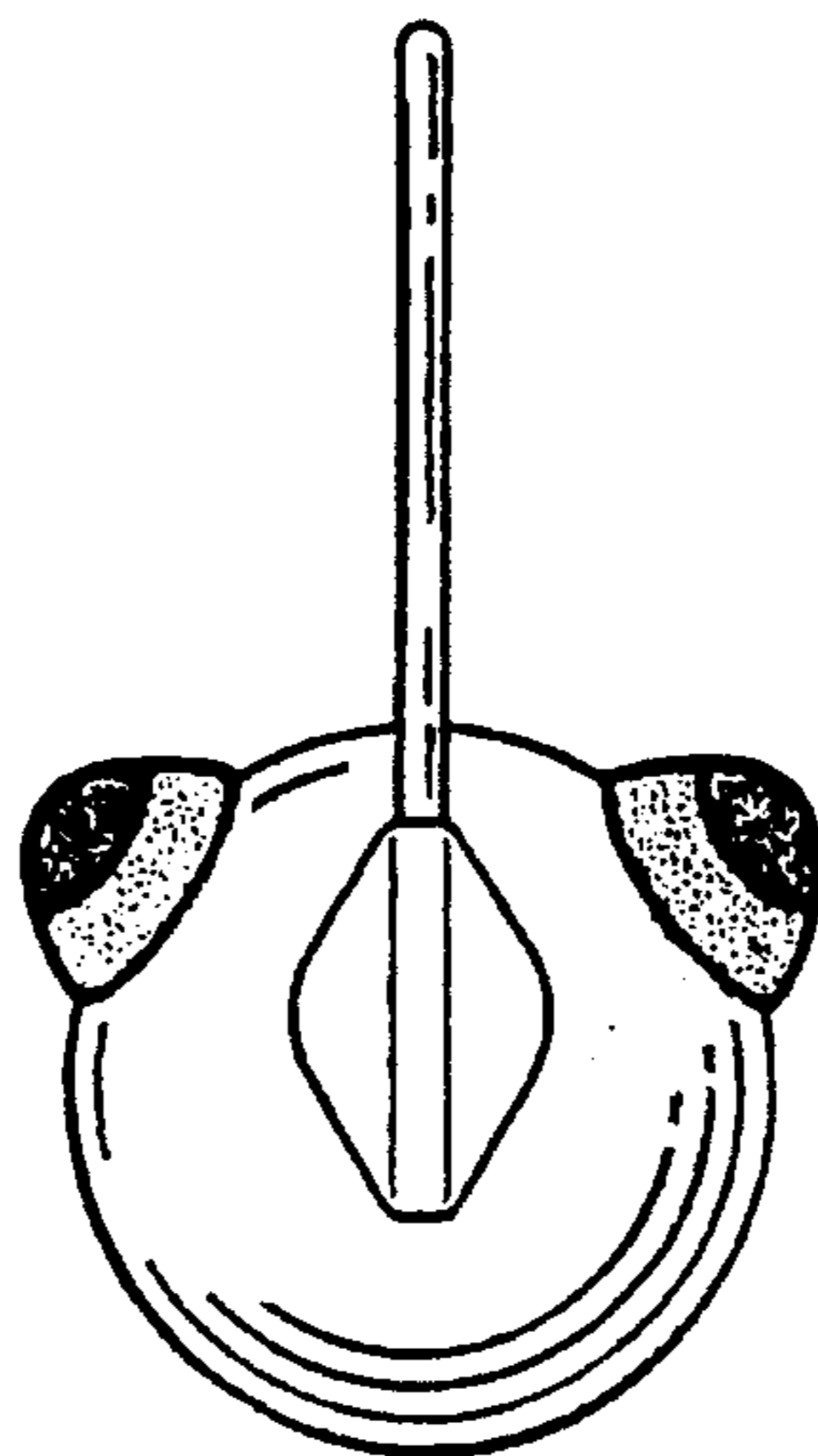


Fig. 5

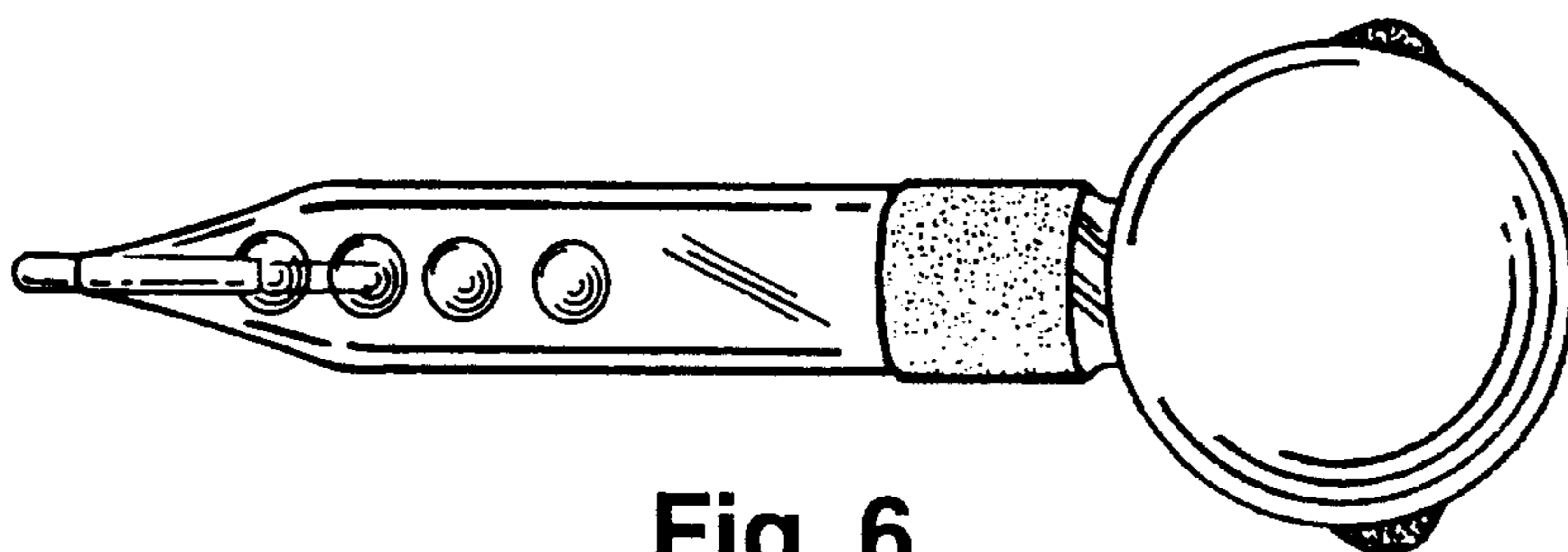


Fig. 6