



US00D372951S

# United States Patent [19] Barth

[11] Patent Number: **Des. 372,951**

[45] Date of Patent: **\*\*Aug. 20, 1996**

[54] FLOTATION DEVICE

Attorney, Agent, or Firm—George A. Bode

[76] Inventor: **Terry D. Barth**, 6720 E. Bay Blvd.,  
Navarre, Fla. 32566

[57] **CLAIM**

[\*\*] Term: **14 Years**

The ornamental design for a flotation device, as shown and described.

[21] Appl. No.: **46,067**

### DESCRIPTION

[22] Filed: **Nov. 6, 1995**

[52] U.S. Cl. .... **D21/237**

[58] Field of Search ..... **D21/236, 237;**  
441/131, 132, 133, 94, 81

FIG. 1 is a top, rear and right side perspective view of a flotation device showing my new design;  
FIG. 2 is a top plan view thereof;  
FIG. 3 is a rear elevational view thereof;  
FIG. 4 is a front elevational view thereof;  
FIG. 5 is a bottom plan view thereof; and,  
FIG. 6 is a right side elevational view thereof, the left side being a mirror image, wich illustrates one use of my new design. The broken lines showing of an occupant using the device is for illustrative purposes only and forms no part of the claimed design.

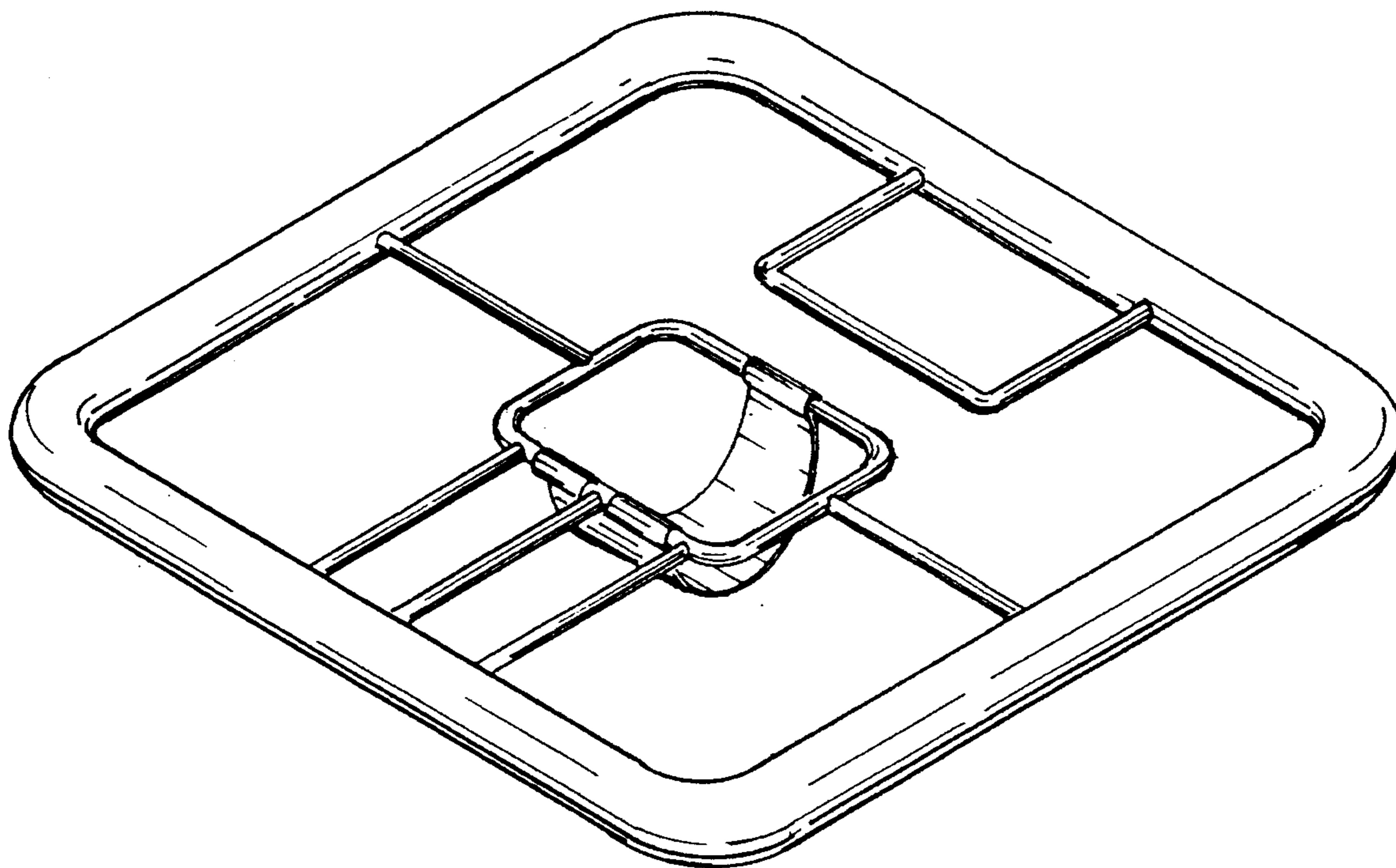
### [56] References Cited

#### U.S. PATENT DOCUMENTS

D. 280,123	8/1985	Maertin	.....	D21/237
2,974,331	3/1961	Dize	.....	D21/237
2,980,927	4/1961	Waters, Sr.	.....	D21/237
5,334,067	8/1994	Henry et al.	.....	441/131

Primary Examiner—Kay H. Chin

1 Claim, 3 Drawing Sheets



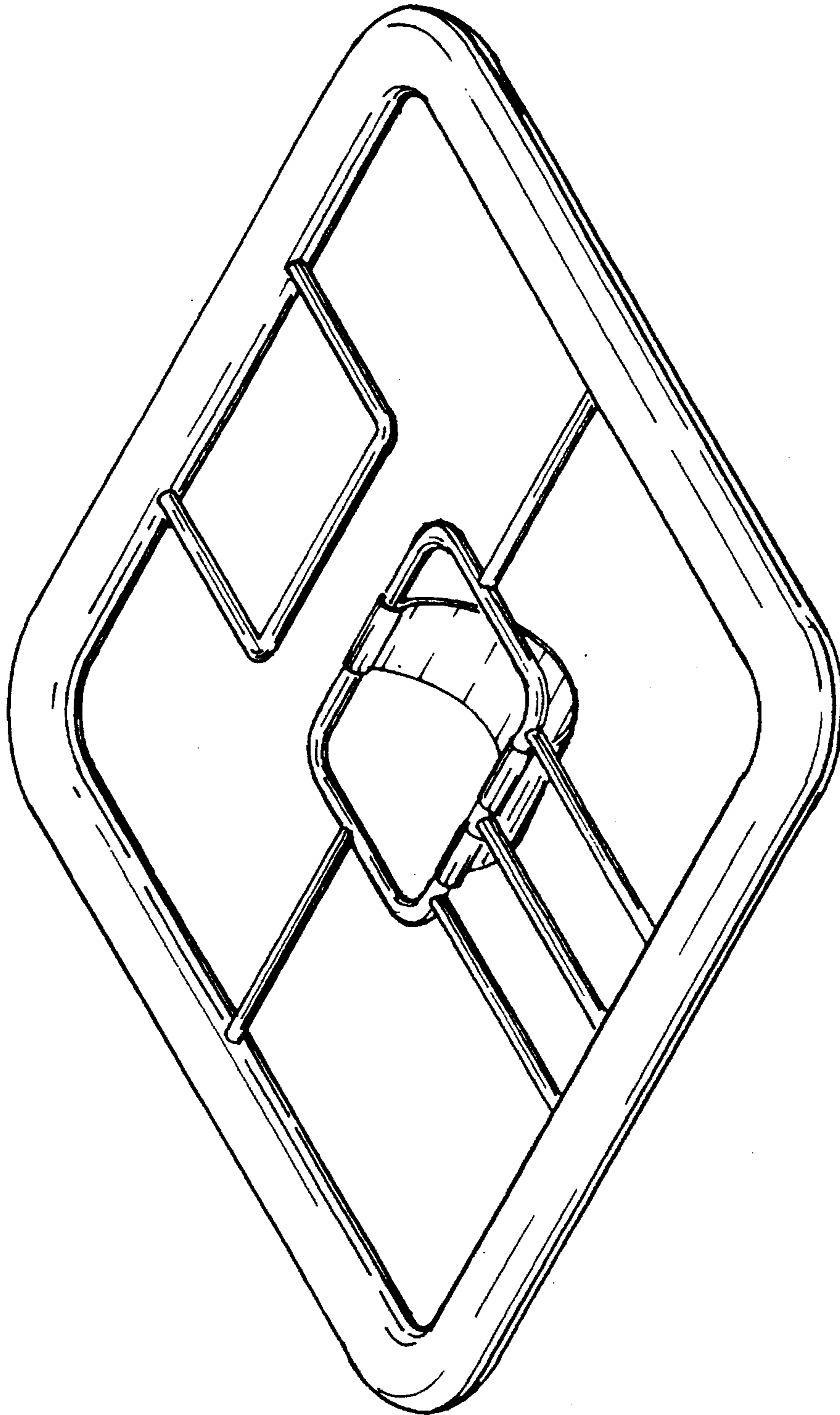


FIG. 1

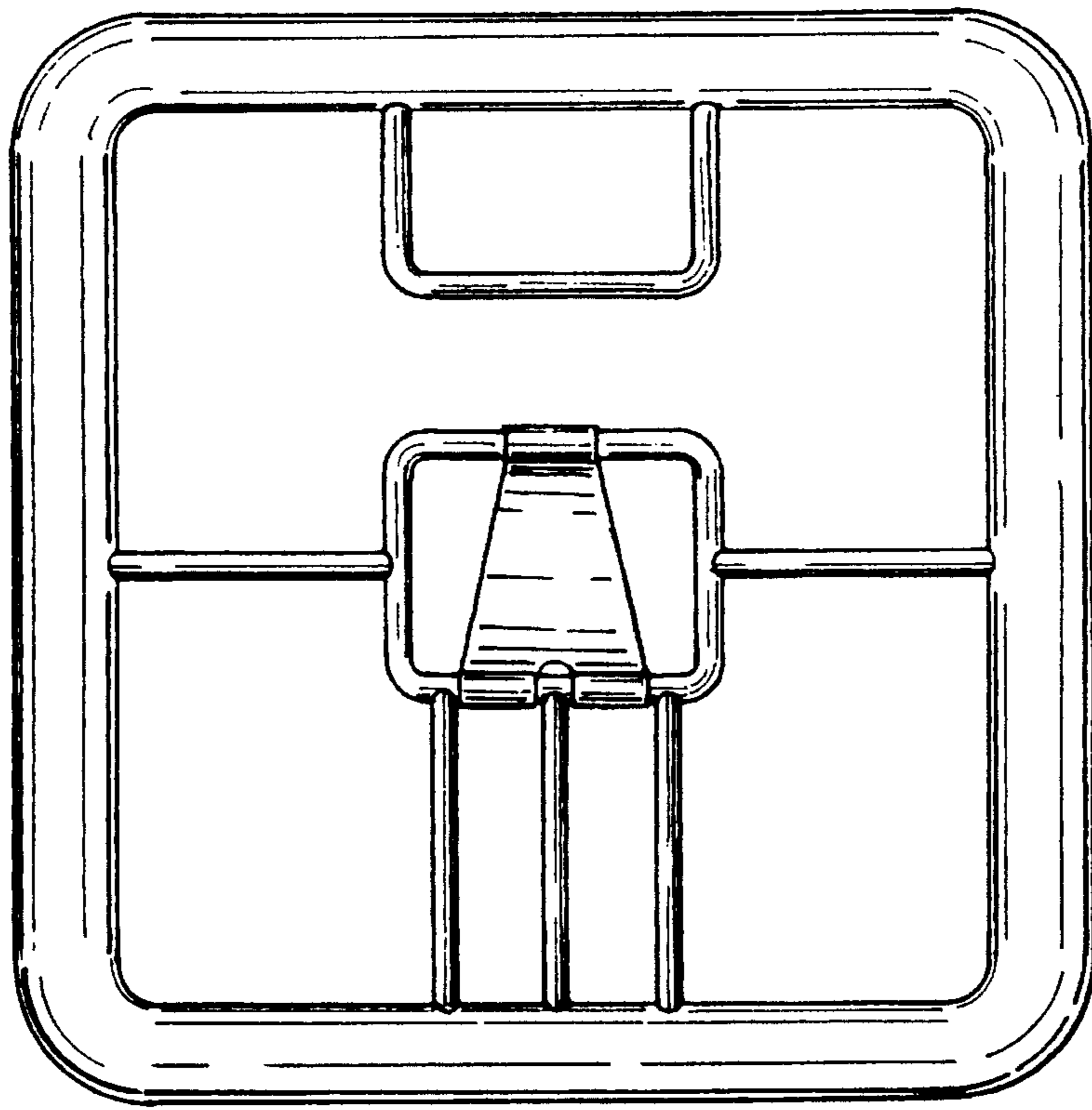


FIG. 2

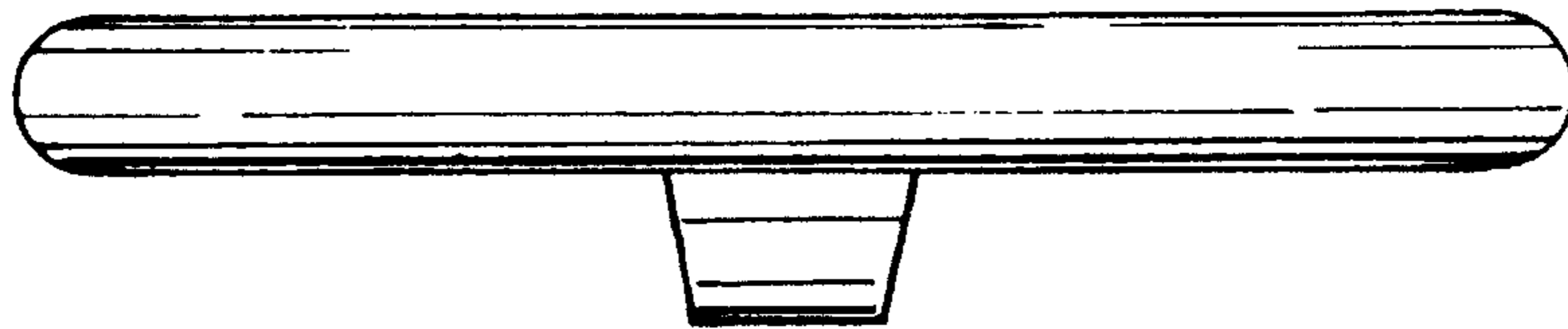


FIG. 3

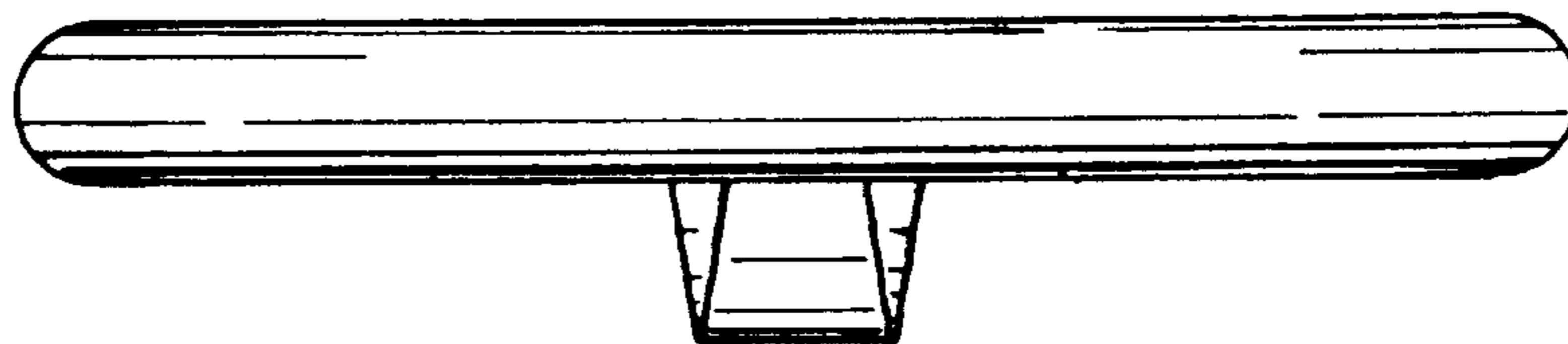


FIG. 4

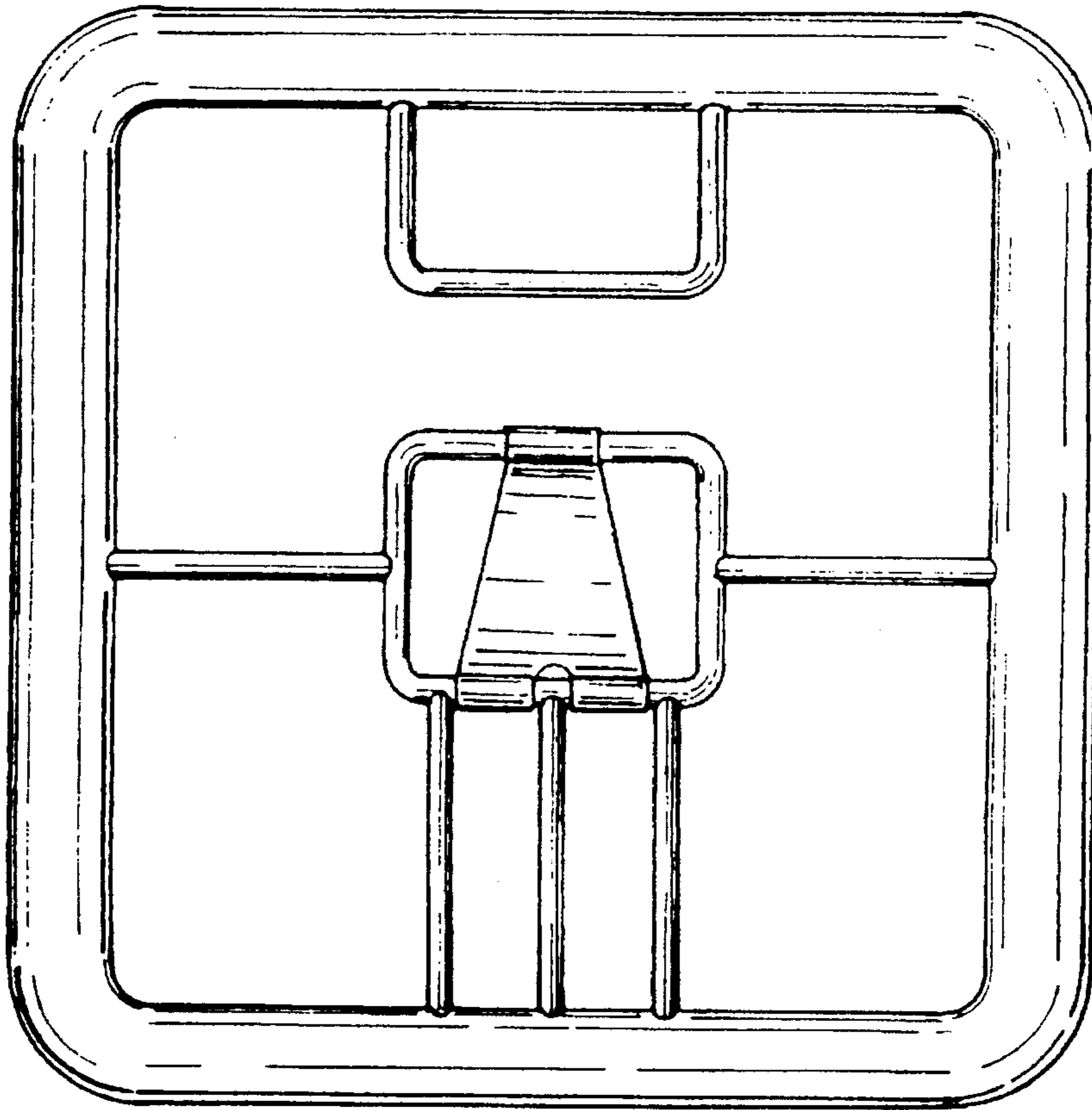


FIG. 5

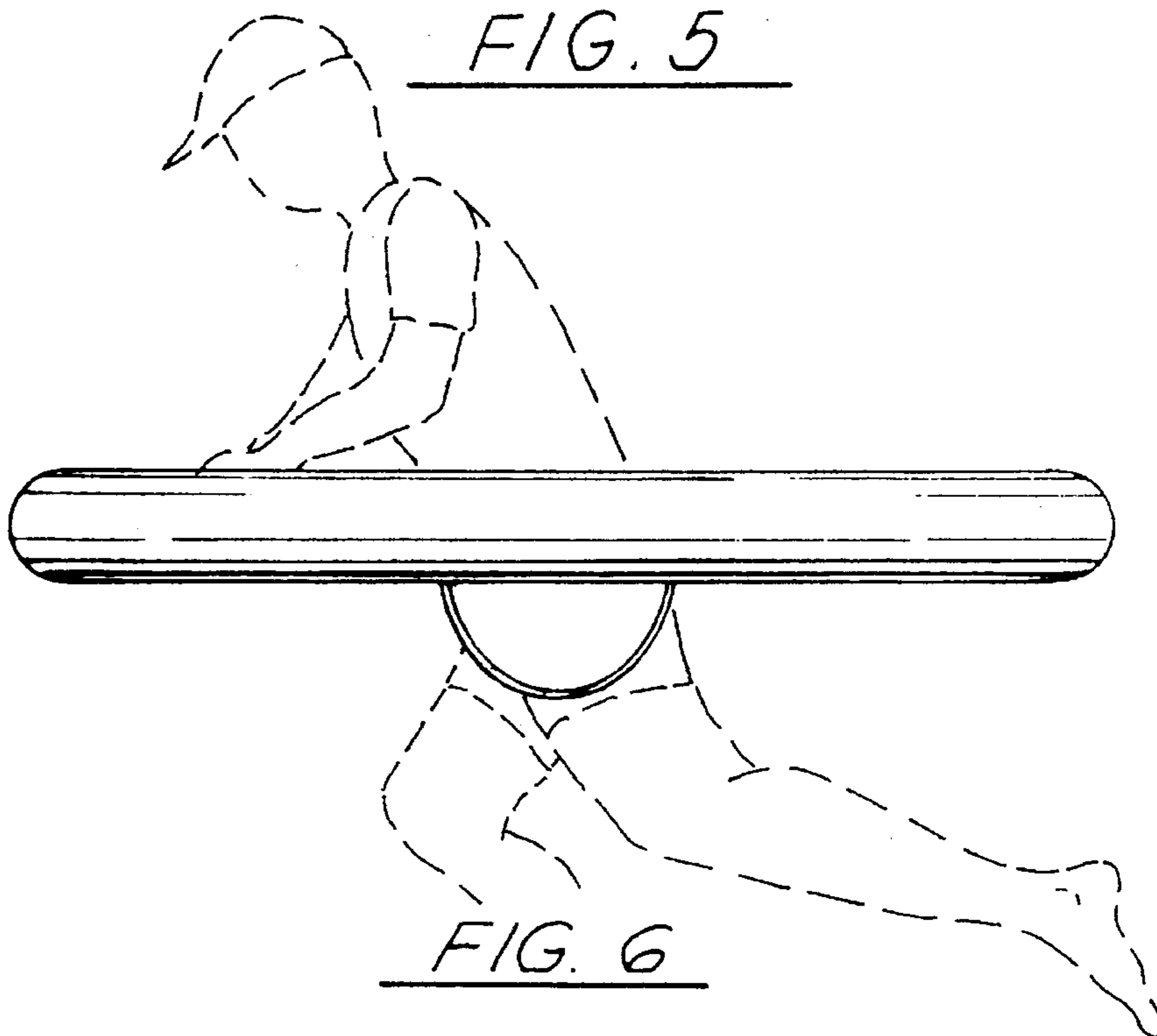


FIG. 6