



US00D372948S

# United States Patent [19]

Marasco

[11] Patent Number: Des. 372,948

[45] Date of Patent: \*\*Aug. 20, 1996

[54] WALKING SOLE FOR IN-LINE SKATE

4,546,999 10/1985 Lehr ..... D21/225  
5,236,224 8/1993 Anderson et al. .... 280/11.22

[75] Inventor: Vincent Marasco, Sherman Oaks, Calif.

Primary Examiner—Ted Shooman  
Assistant Examiner—R. Barkai  
Attorney, Agent, or Firm—Donald Diamond

[73] Assignee: Edward Mazzarino, Sherman Oaks, Calif.; a part interest

[57] CLAIM

[\*\*] Term: 14 Years

The ornamented design for an walking sole for in-line skate, as shown and described.

[21] Appl. No.: 37,032

[22] Filed: Apr. 3, 1995

[52] U.S. Cl. .... D21/226

[58] Field of Search ..... D21/225, 226;  
280/11.2, 11.12, 11.19, 11.22, 11.26, 11.27,  
809, 825, 841

### DESCRIPTION

FIG. 1 is a bottom perspective view of an walking sole for in-line skate showing my new design; FIG. 2 is a right side elevational view thereof; FIG. 3 is a left side elevational view thereof; FIG. 4 is a front elevational view thereof; FIG. 5 is a rear elevational view thereof; FIG. 6 is a bottom plan view thereof; and, FIG. 7 is a top plan view thereof.

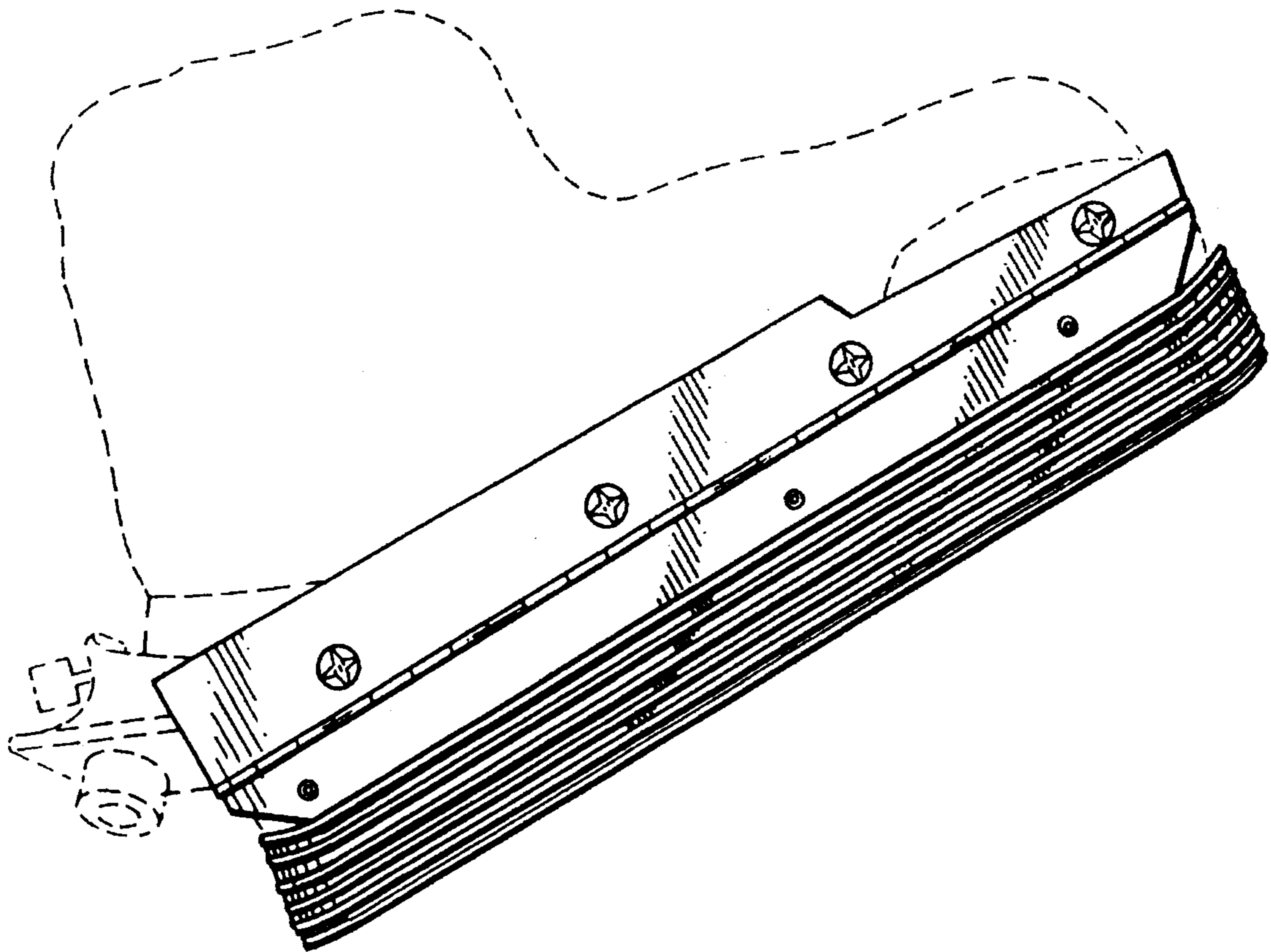
The broken line showing of the boot in FIGS. 1-7 is for illustrative purposes only and forms no part of the claimed design.

### [56] References Cited

#### U.S. PATENT DOCUMENTS

83,339	10/1868	Thurston	.....	280/825
D. 185,967	8/1959	Johns	.....	D21/225
D. 249,175	8/1978	Fardigs	.....	D21/225
1,544,770	7/1925	Nathan	.....	D21/225
4,252,345	2/1981	Cabral	.....	280/825

1 Claim, 3 Drawing Sheets



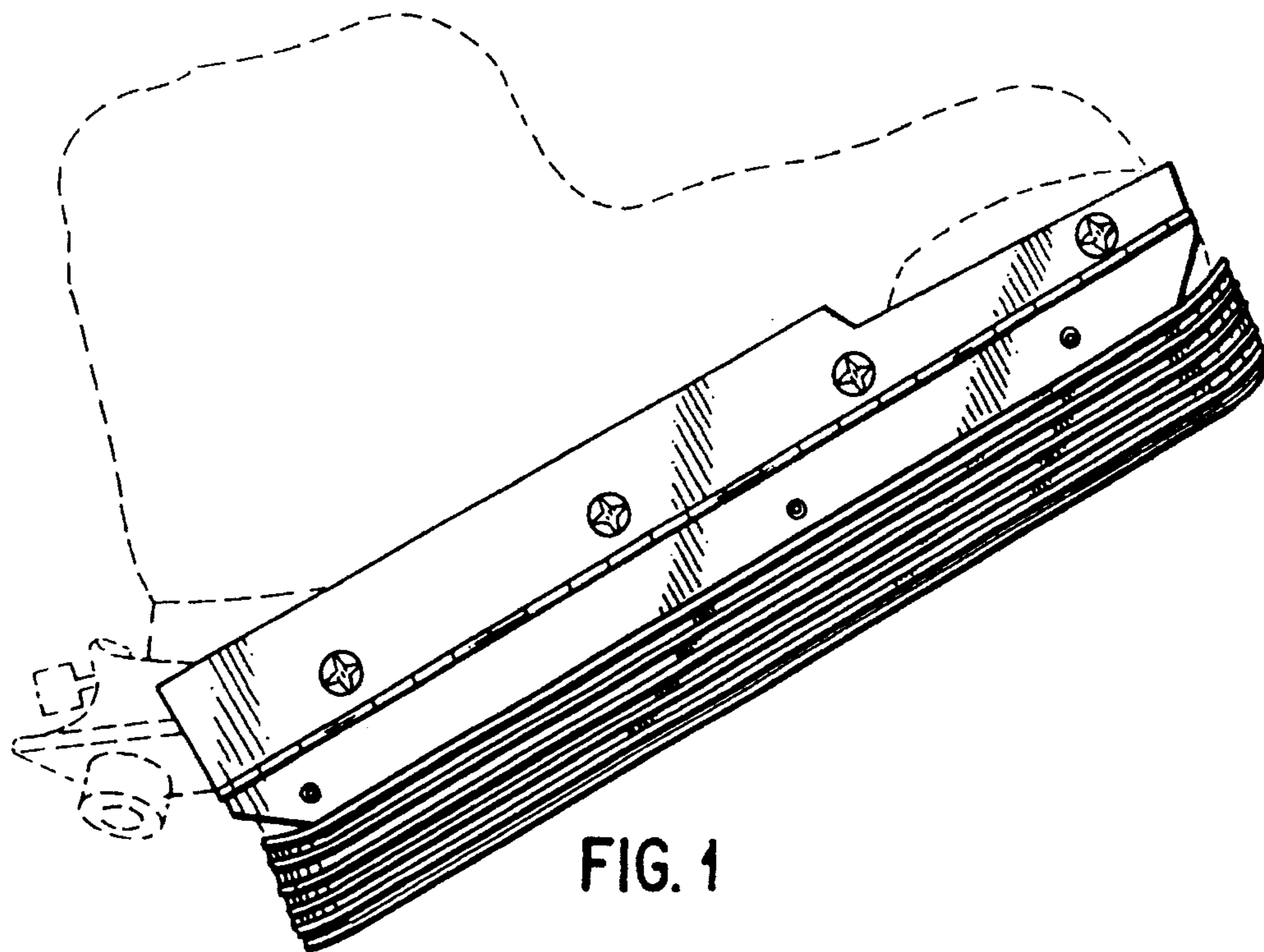


FIG. 1

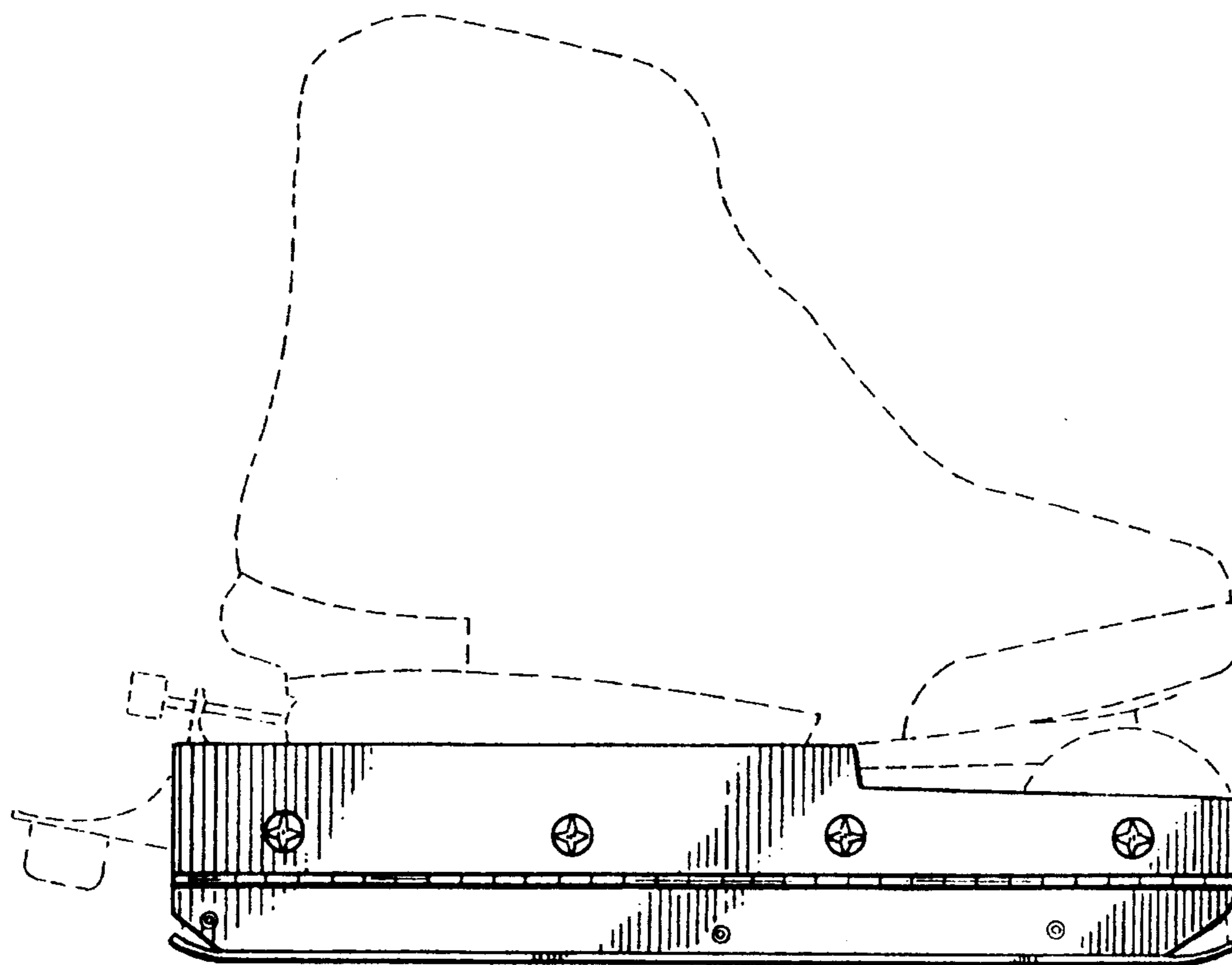


FIG. 2

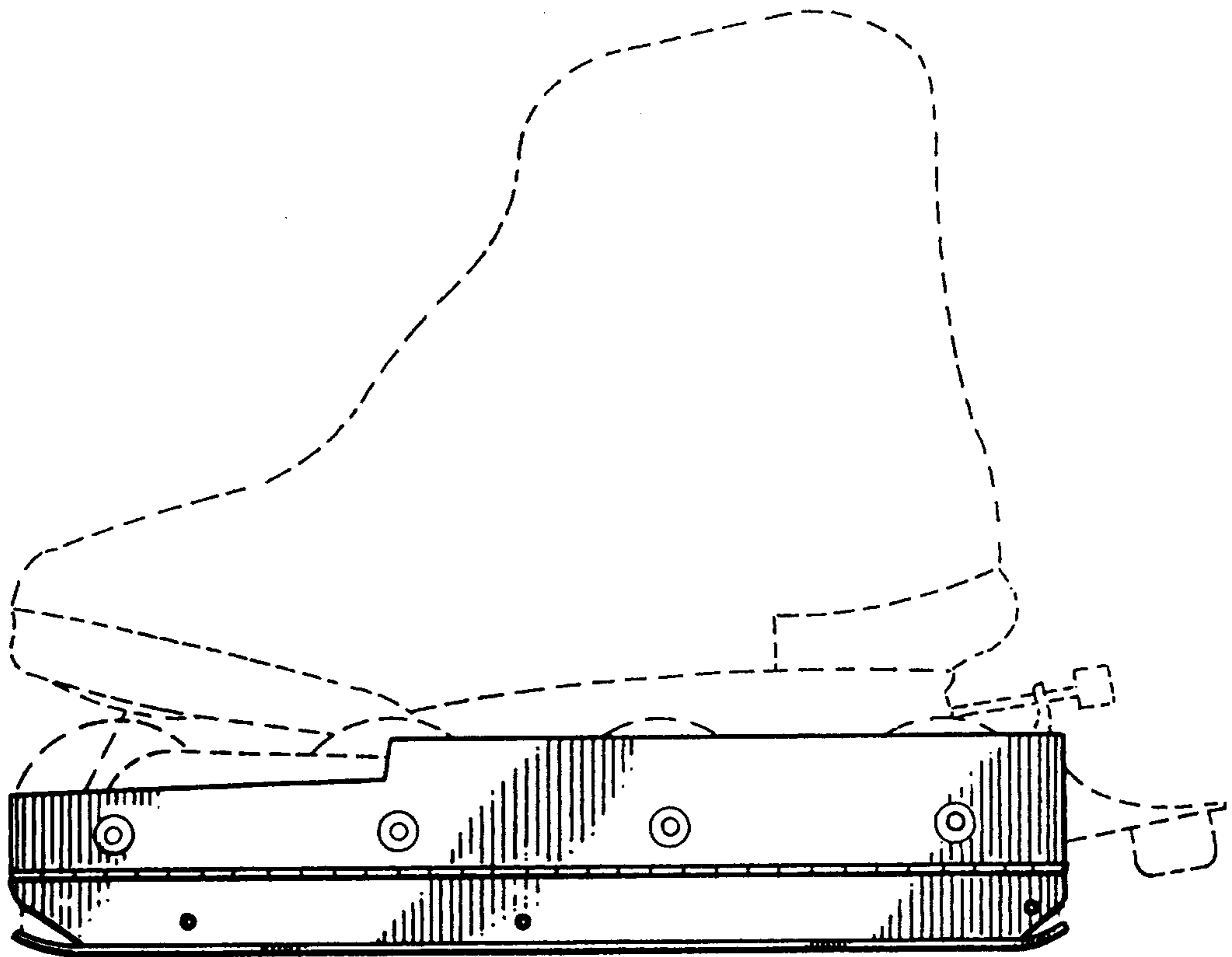


FIG. 3

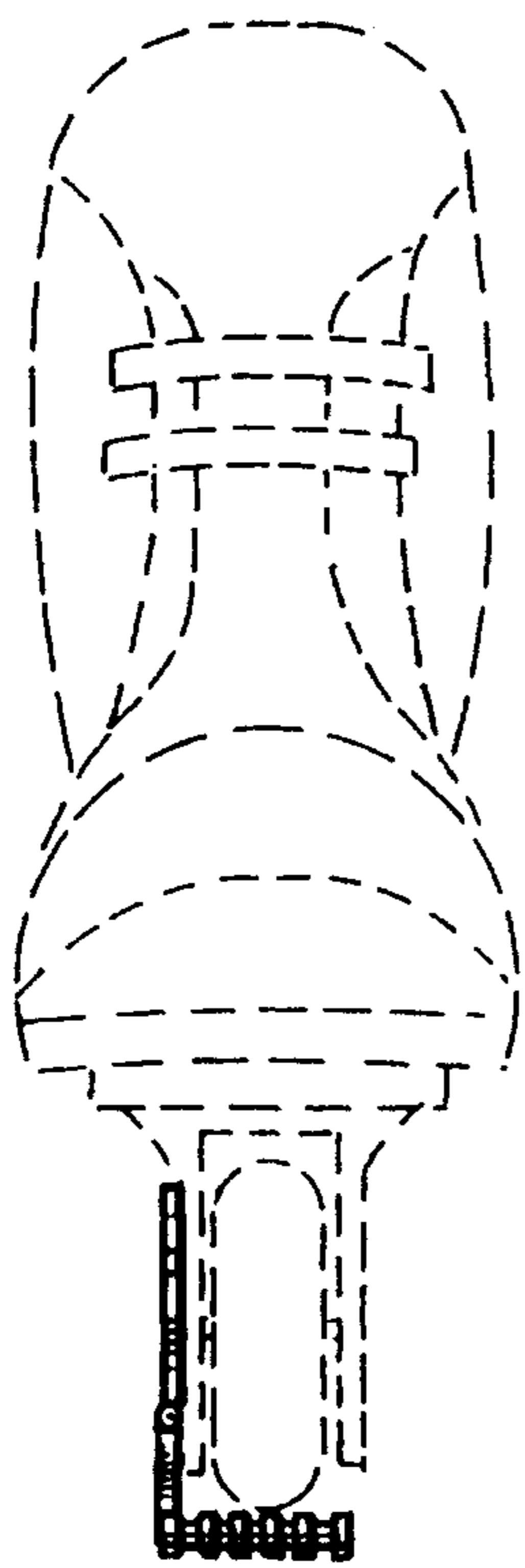


FIG. 4

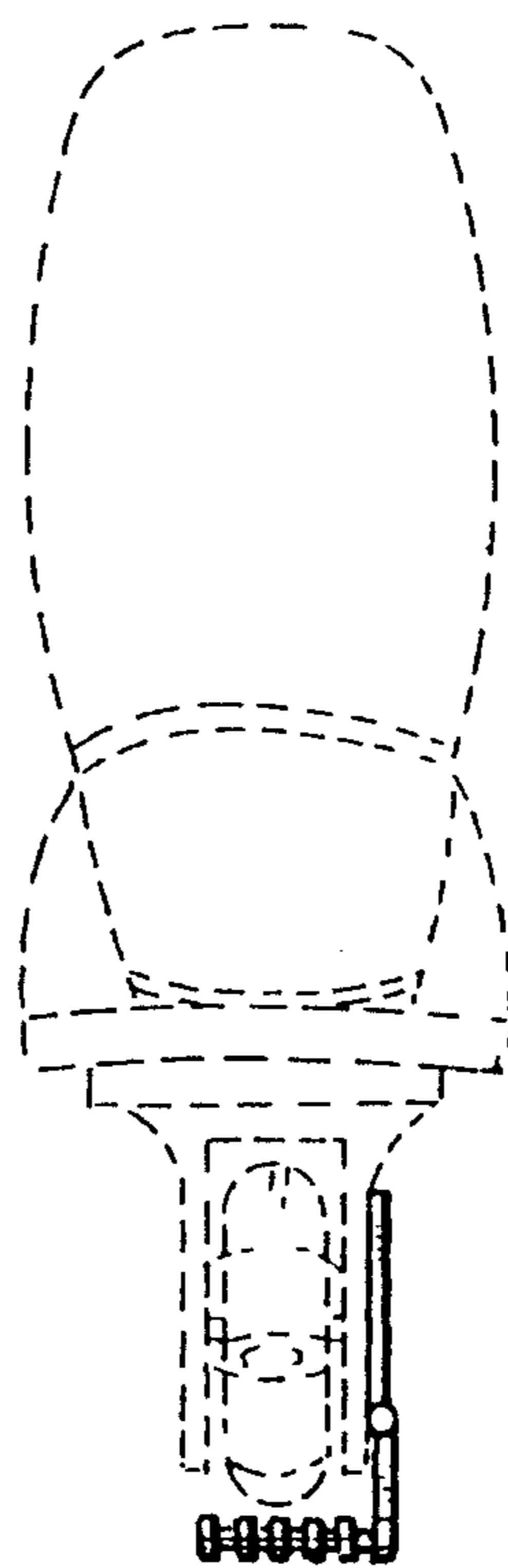


FIG. 5

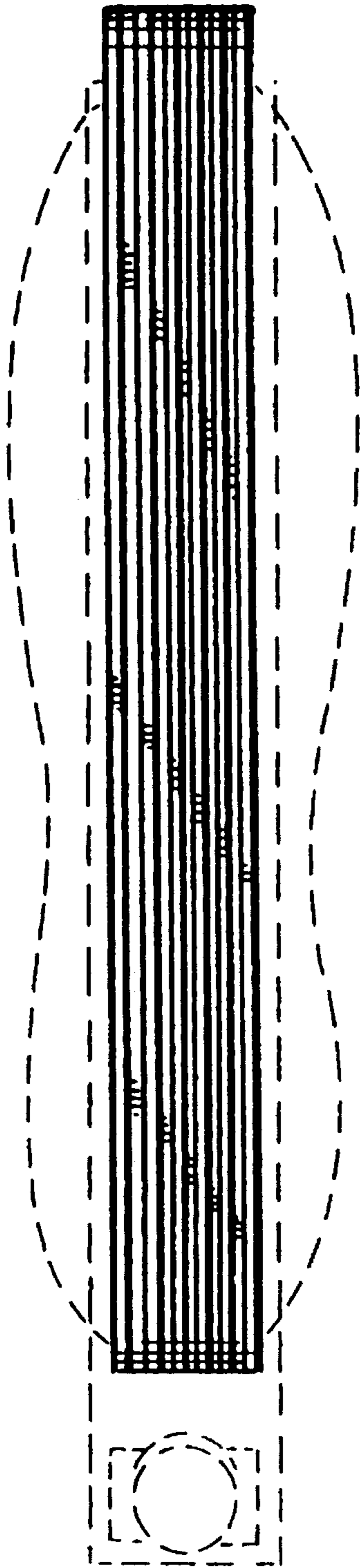


FIG. 6

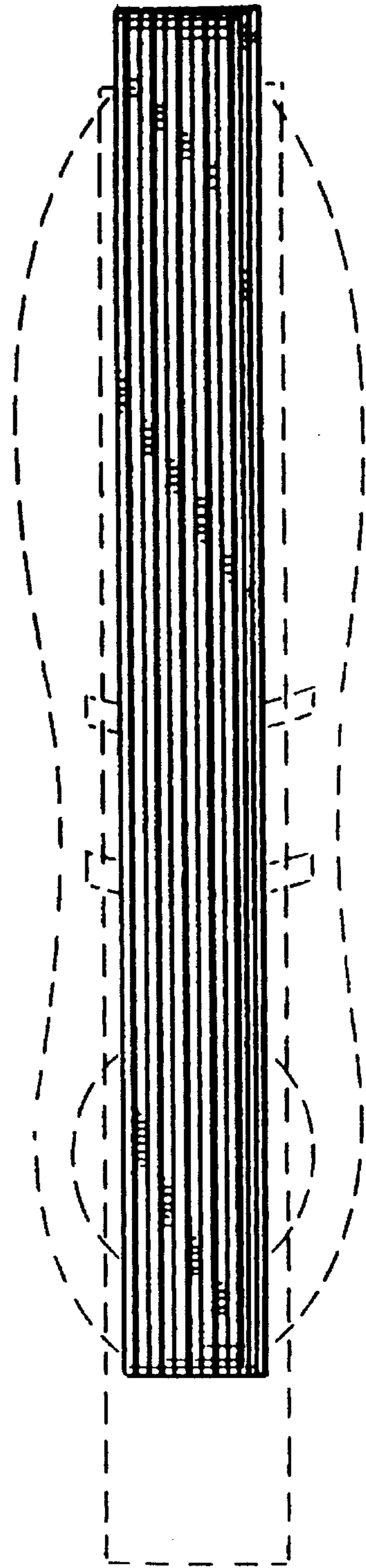


FIG. 7