



US00D372945S

United States Patent [19]

Morgan

[11] Patent Number: **Des. 372,945**

[45] Date of Patent: ****Aug. 20, 1996**

[54] **HAND-HELD EXERCISE DEVICE**

[76] Inventor: **Burton D. Morgan**, 325 Aurora St., Hudson, Ohio 44236

[**] Term: **14 Years**

[21] Appl. No.: **40,294**

[22] Filed: **Jun. 14, 1995**

[52] U.S. Cl. **D21/197; D21/196**

[58] Field of Search **D21/191, 196, D21/197, 198; 482/105, 106, 107, 108, 109**

[56] **References Cited**

U.S. PATENT DOCUMENTS

D. 244,628	6/1977	Wright	D21/197
D. 271,407	11/1983	Wright	D21/197
D. 307,168	4/1990	Vodhanel	D21/197
D. 321,230	10/1991	Leonesio	D21/197
4,773,640	9/1988	Köibel et al.	482/108
4,813,669	3/1989	Caruthers	482/108

Primary Examiner—Philip S. Hyder
Attorney, Agent, or Firm—Renner, Kenner, Greive, Bobak, Taylor & Weber

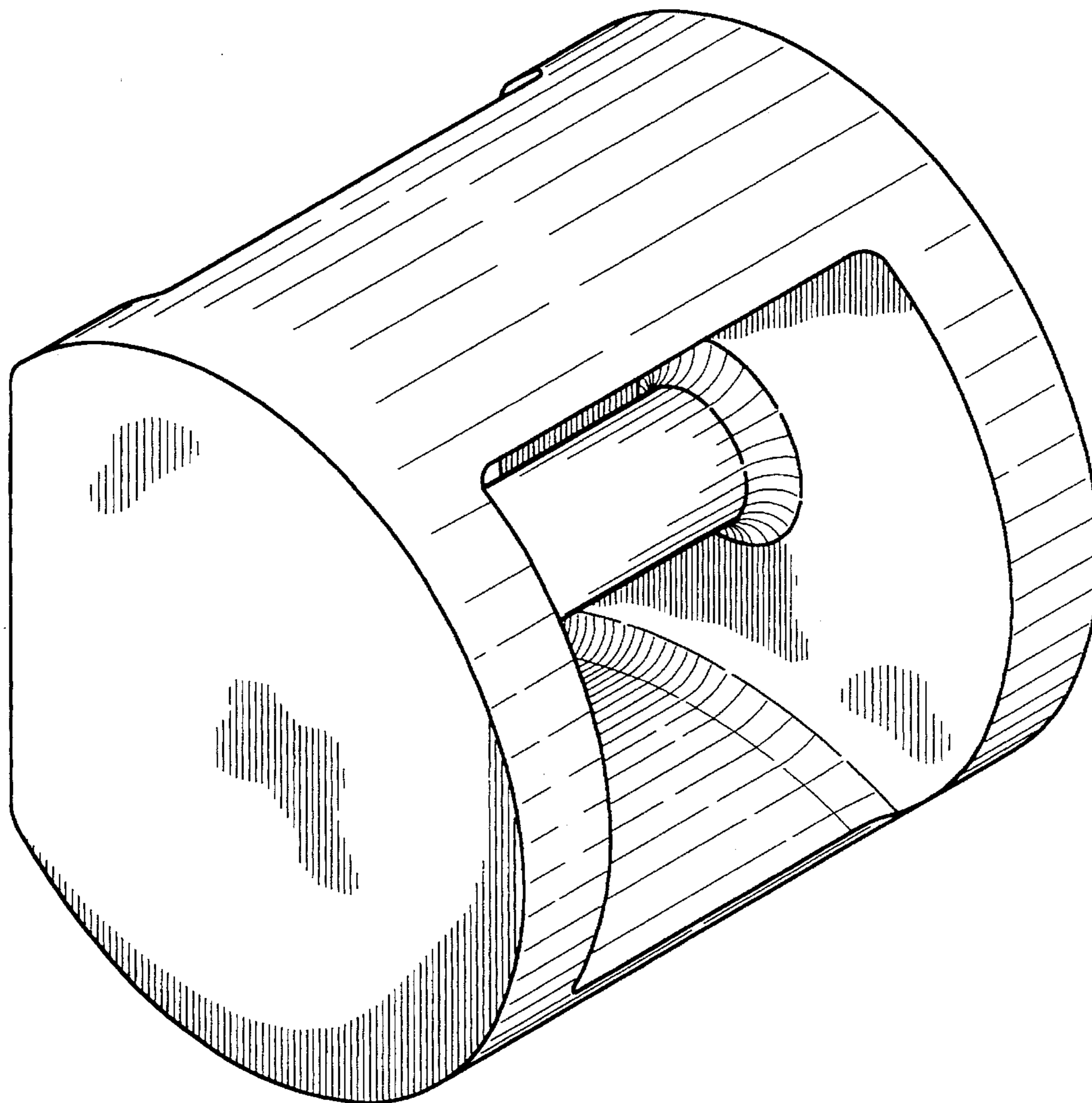
[57] **CLAIM**

The ornamental design for a hand-held exercise device, as shown and described.

DESCRIPTION

FIG. 1 is a top, front and side perspective of a held-held exercise device showing my new design;
FIG. 2 is a top, rear and side perspective similar to FIG. 1 but with the exercise device having been rotated ninety degrees (90°) about its transverse axis;
FIG. 3 is a top plan view thereof;
FIG. 4 is a frontal elevation thereof, the rear elevational view being identical;
FIG. 5 is a bottom plan view thereof; and,
FIG. 6 is an side elevation thereof, the opposite end elevational view being identical.

1 Claim, 3 Drawing Sheets



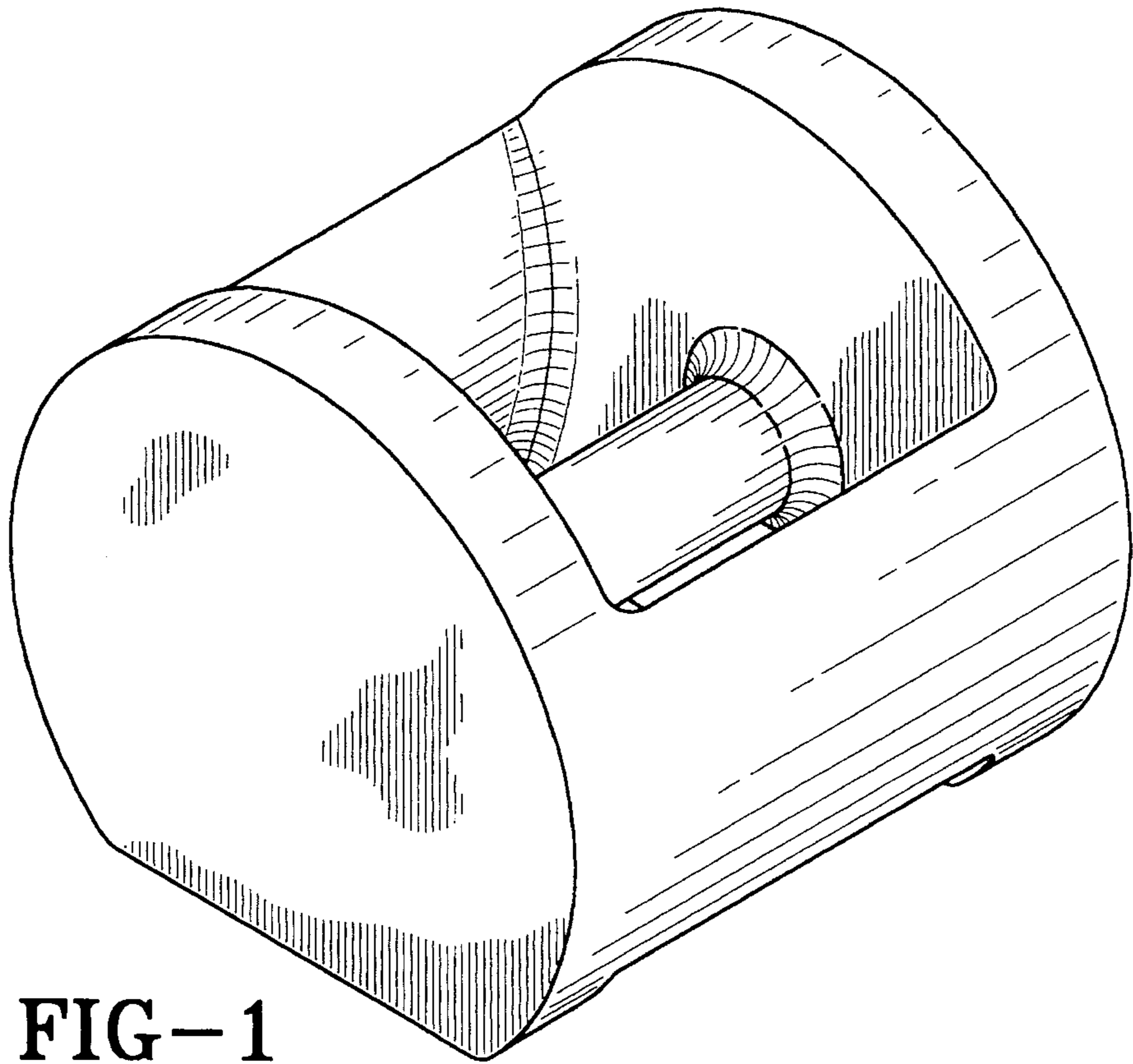


FIG-1

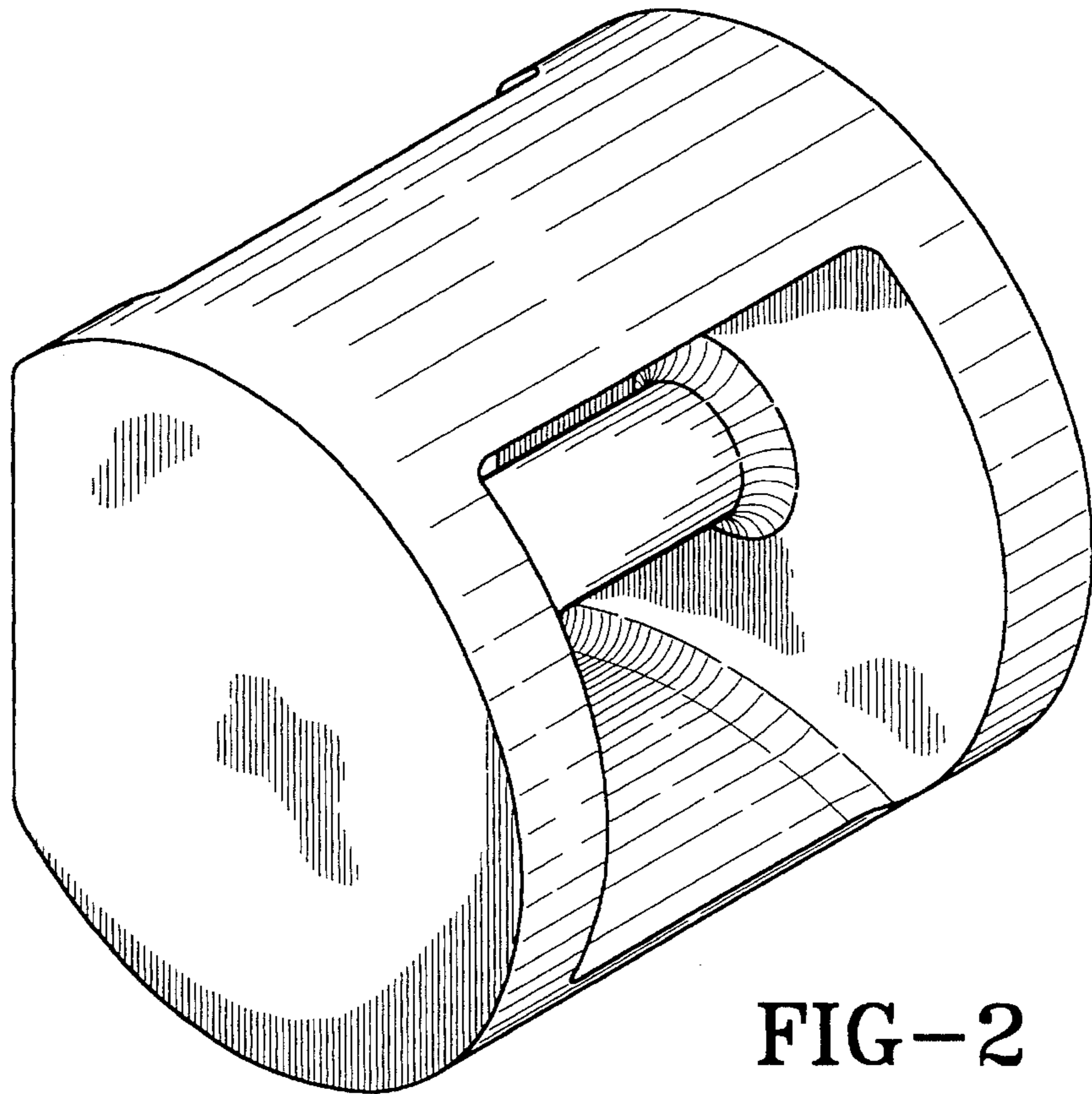


FIG-2

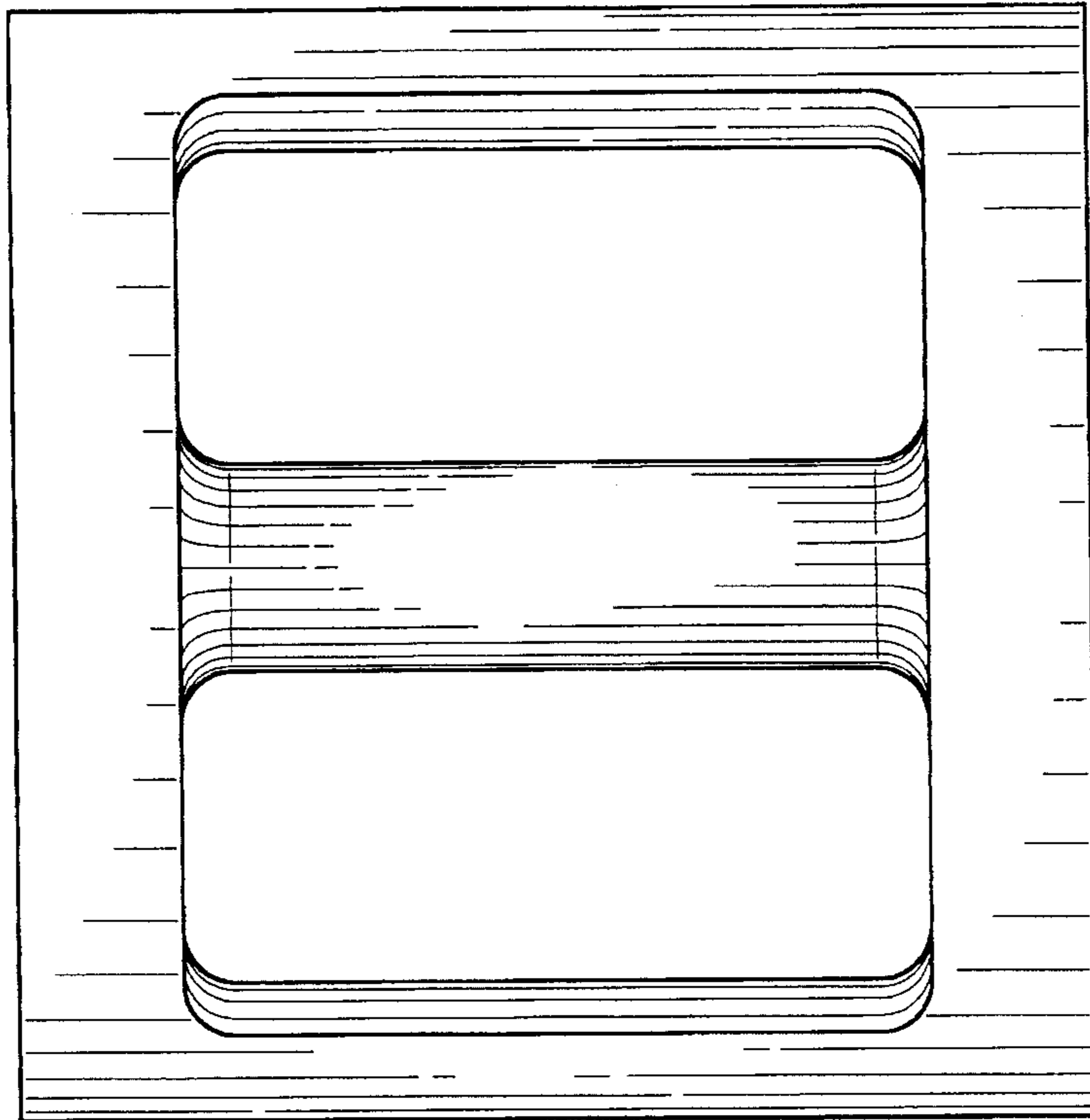


FIG-3

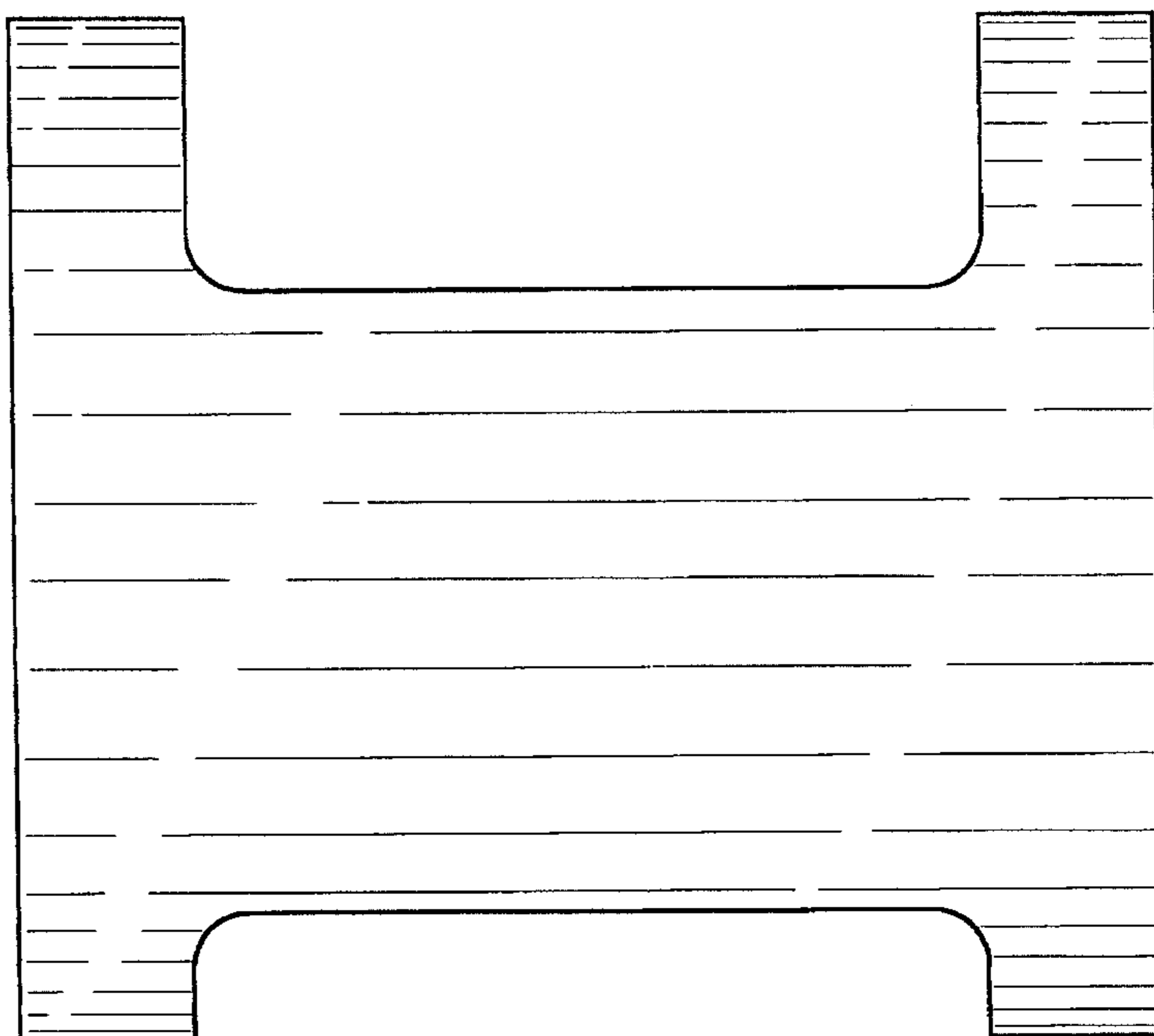


FIG-4

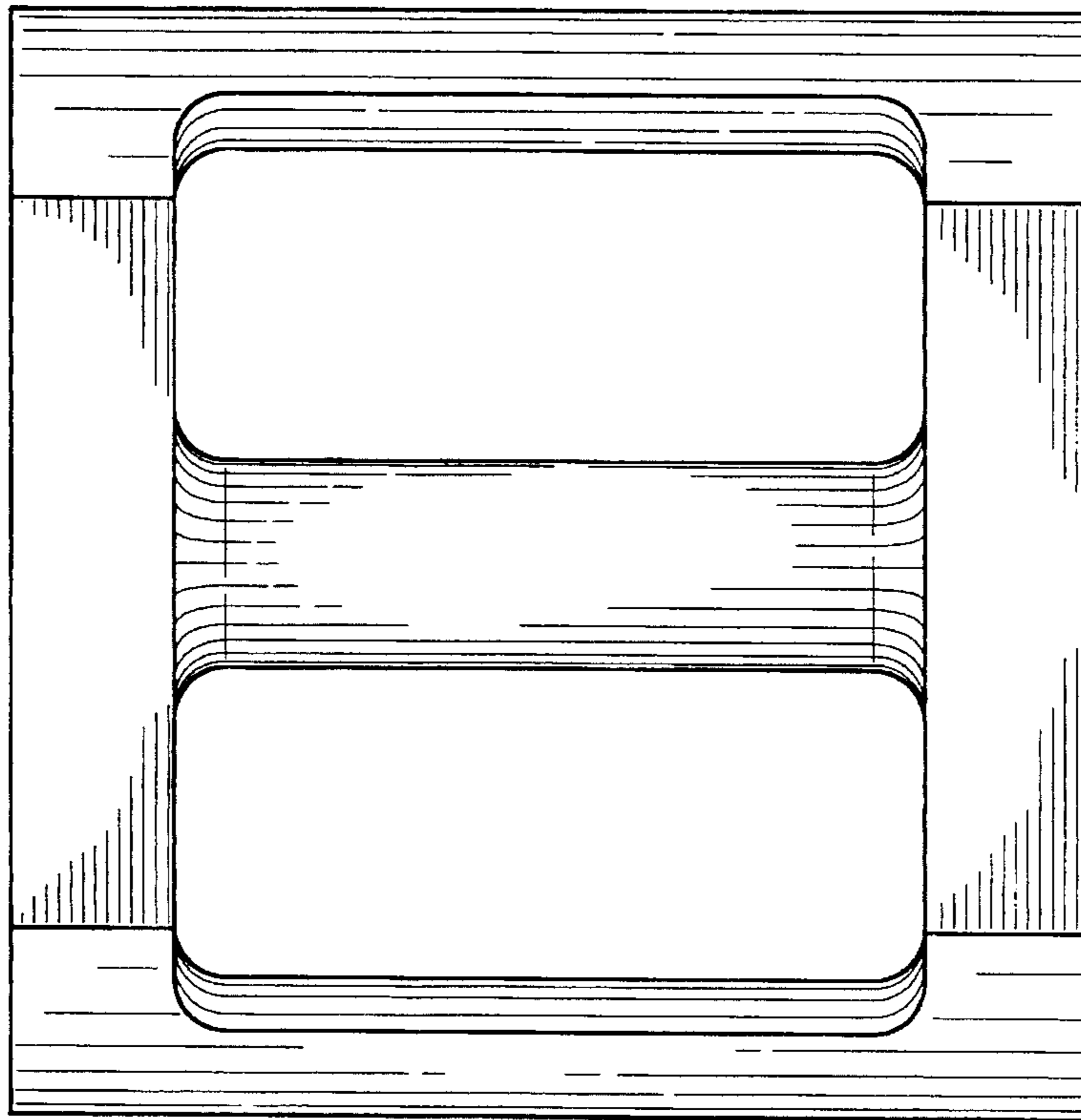


FIG-5

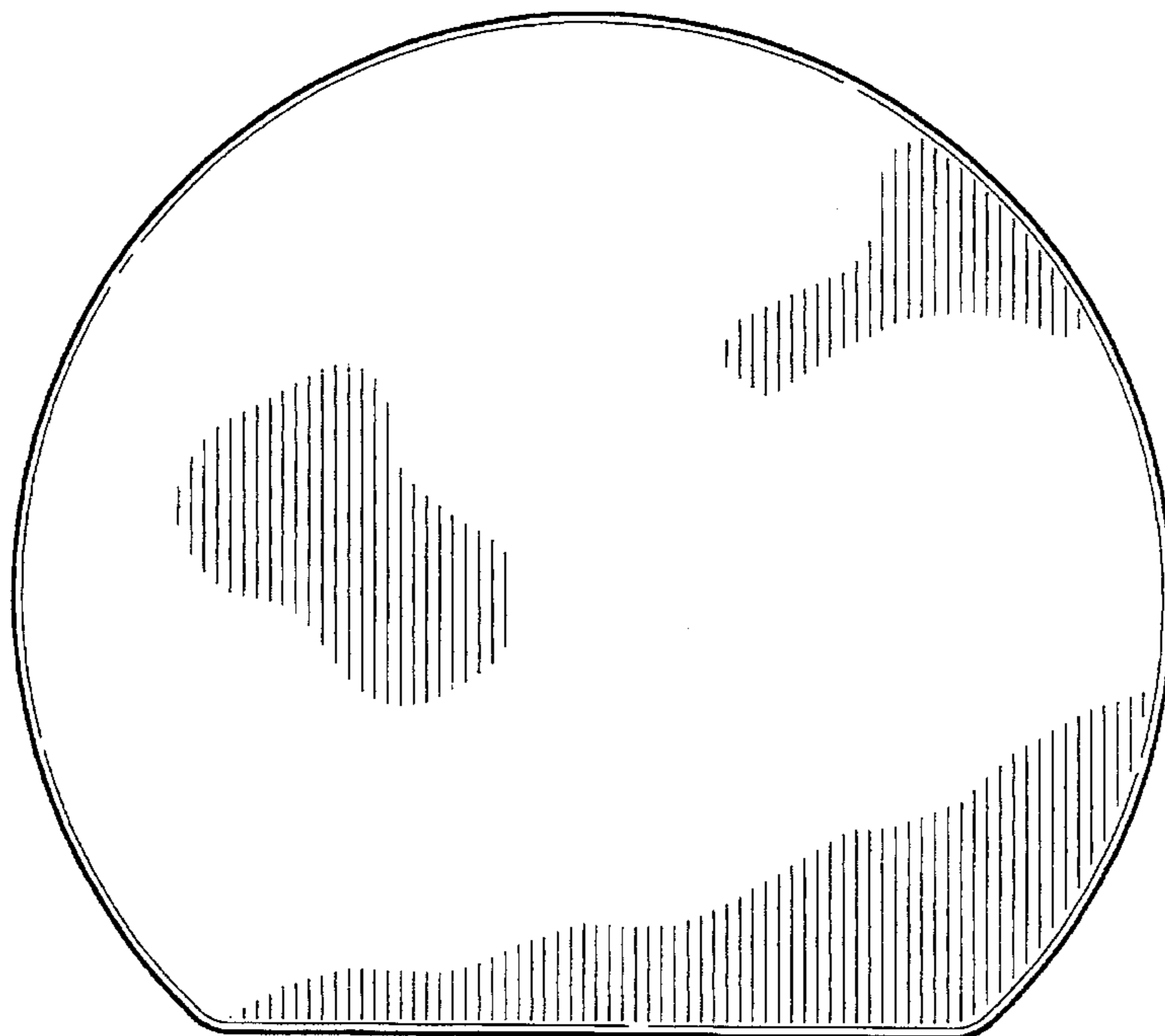


FIG-6