



US00D372944S

United States Patent [19] Clegg

[11] Patent Number: **Des. 372,944**

[45] Date of Patent: ****Aug. 20, 1996**

[54] **EXERCISE DEVICE FOR LOWER BACK INJURIES**

4,621,810 11/1986 Cummins 482/137
4,858,915 8/1989 Szabo 482/97

[76] Inventor: **Gary B. Clegg**, 704 N. 75th Ave., Pensacola, Fla. 32506

Primary Examiner—Philip S. Hyder
Attorney, Agent, or Firm—James A. Hudak

[**] Term: **14 Years**

[57] **CLAIM**

[21] Appl. No.: **40,480**

The ornamental design for an exercise device for lower back injuries, as shown and described.

[22] Filed: **Jun. 20, 1995**

DESCRIPTION

[52] U.S. Cl. **D21/191; D21/195**

[58] Field of Search D21/191, 195;
482/92, 94, 95, 96, 97, 137, 142

[56] References Cited

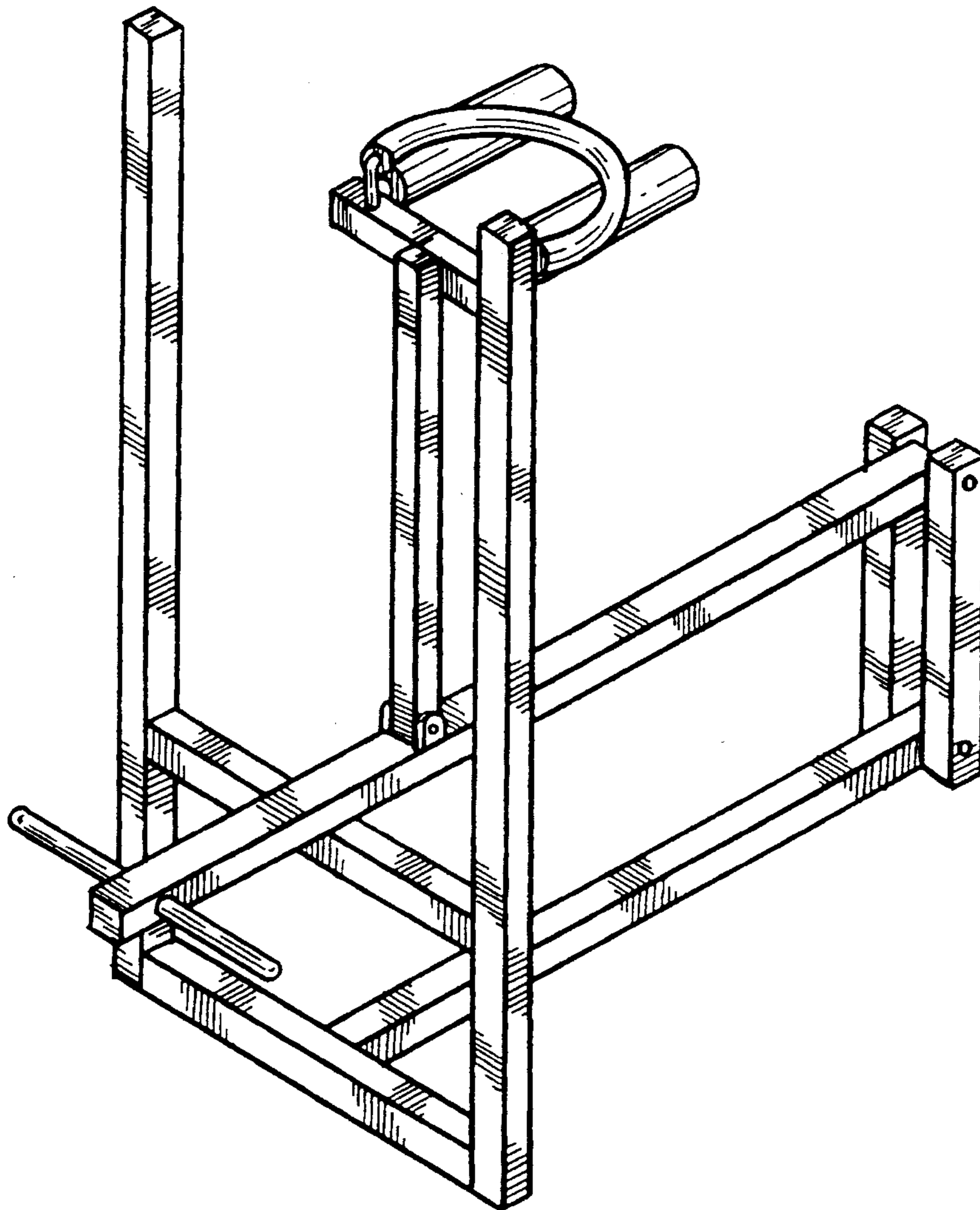
U.S. PATENT DOCUMENTS

D. 321,029	10/1991	Low	D21/195
D. 352,752	11/1994	Yang	D21/191
3,759,511	9/1973	Zinkin et al.	482/142
4,344,619	8/1982	Szabo	482/97
4,357,010	11/1982	Telle	482/97
4,620,701	11/1986	Mojden	482/142

FIG. 1 is a perspective view of the exercise device for lower back injuries showing my new design;
FIG. 2 is a front elevational view thereof;
FIG. 3 is a rear elevational view thereof;
FIG. 4 is a right side elevational view thereof, the left side elevational view being a mirror image of the view shown in this Figure;

FIG. 5 is a top plan view thereof; and,
FIG. 6 is a bottom plan view thereof.

1 Claim, 4 Drawing Sheets



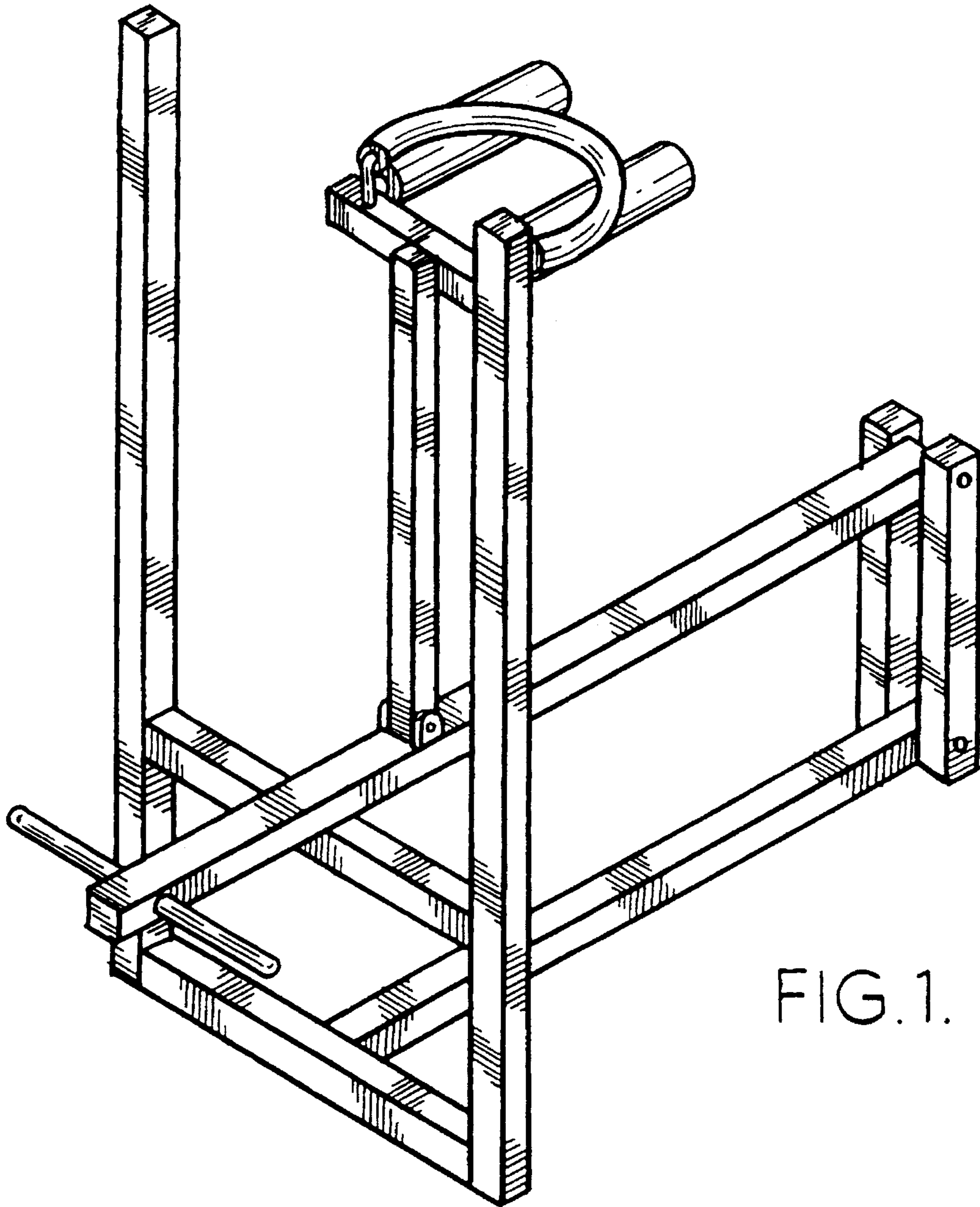


FIG. 1.

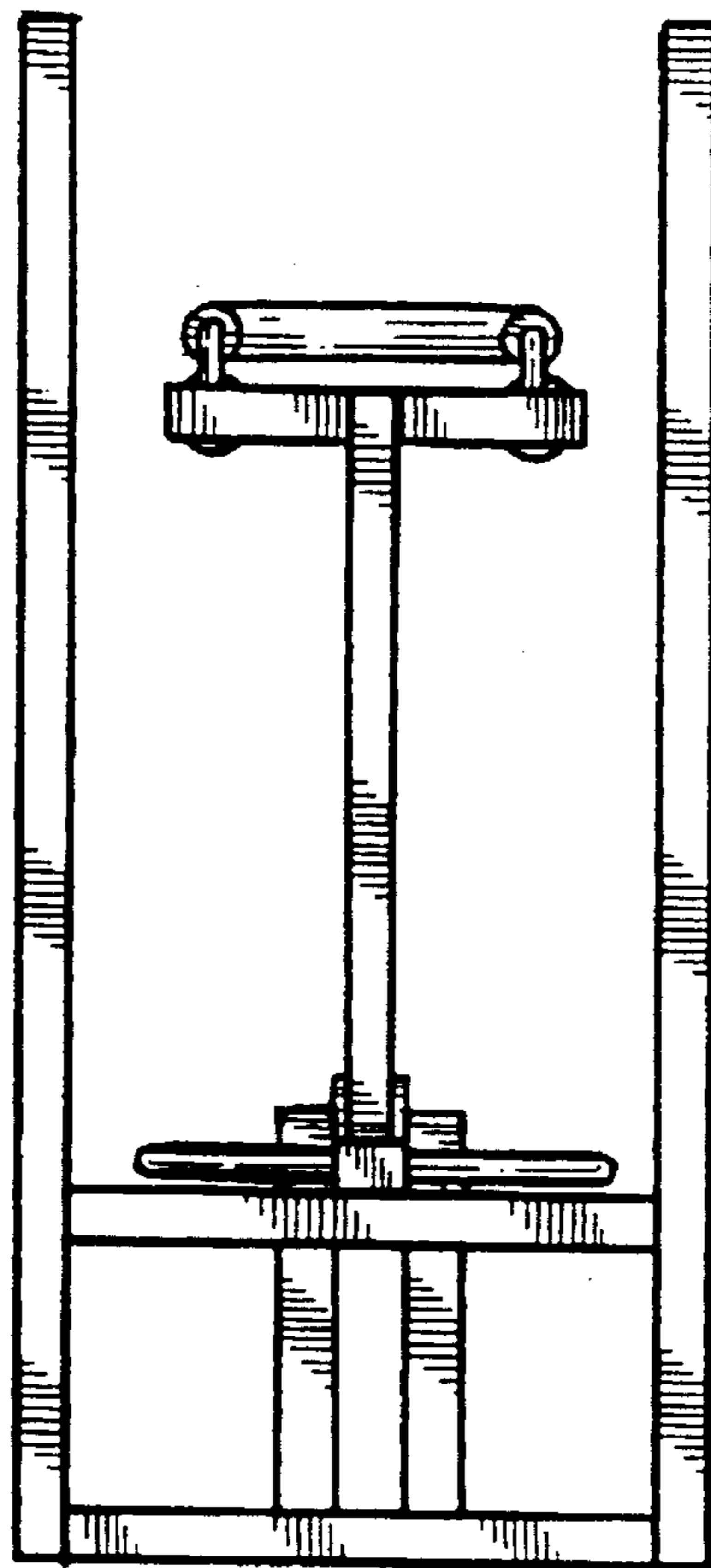
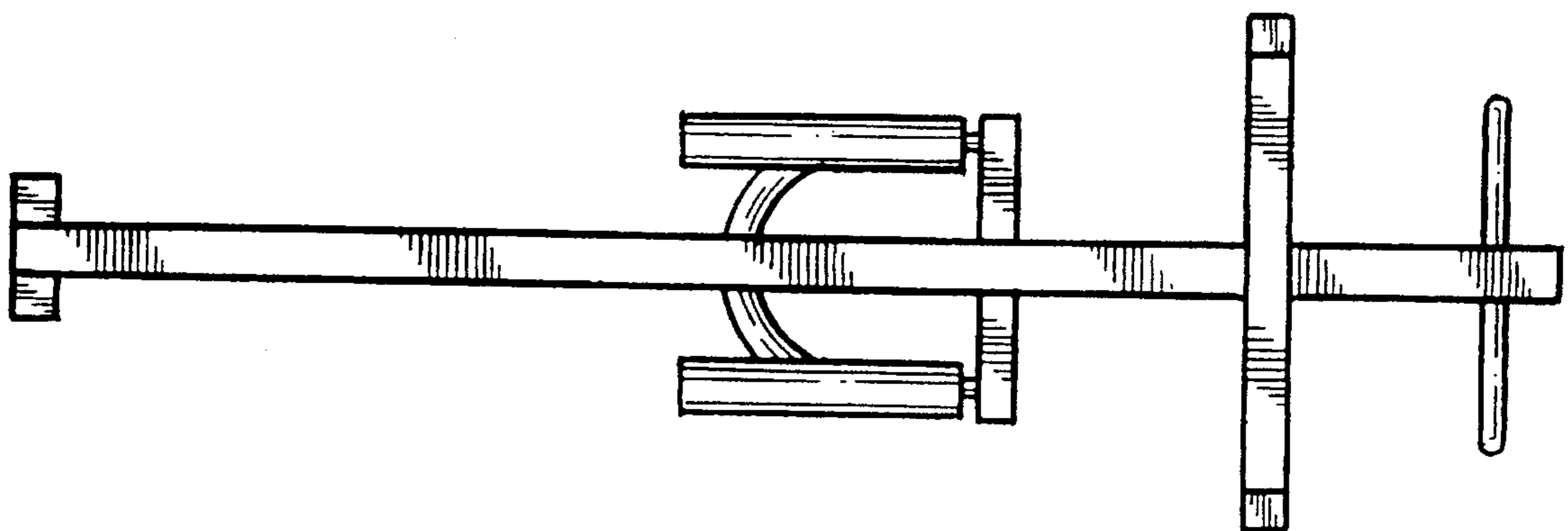


FIG. 2.

FIG. 6.



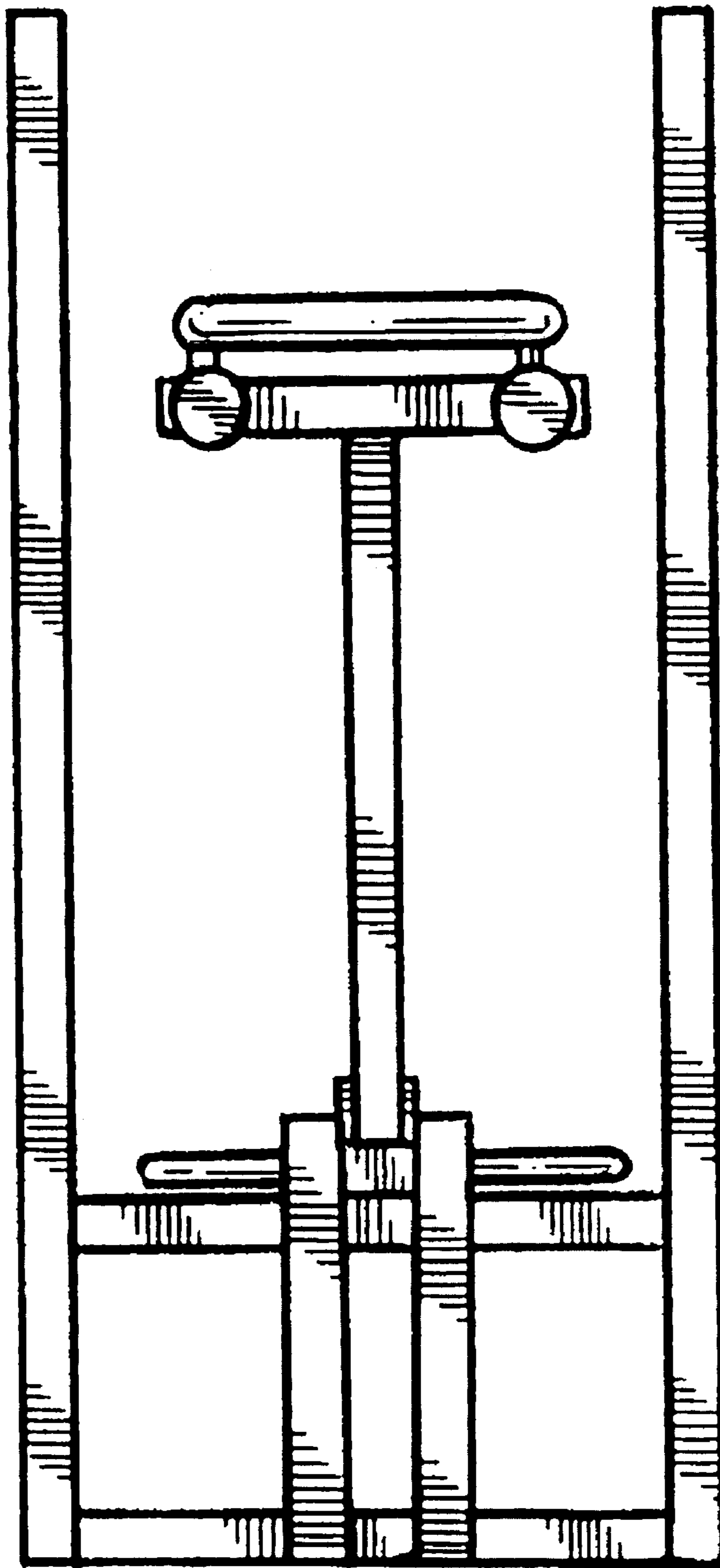


FIG. 3.

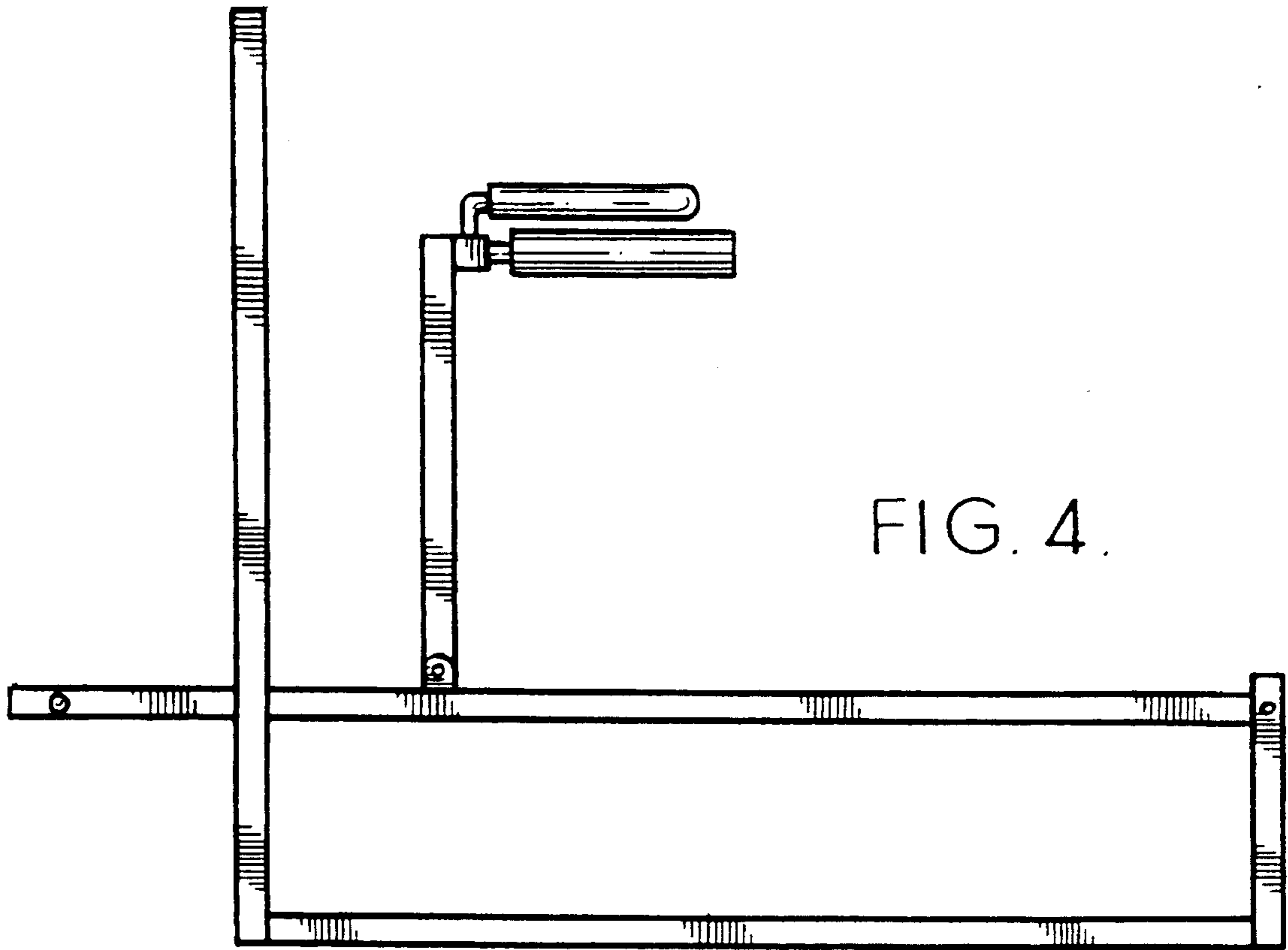


FIG. 4.

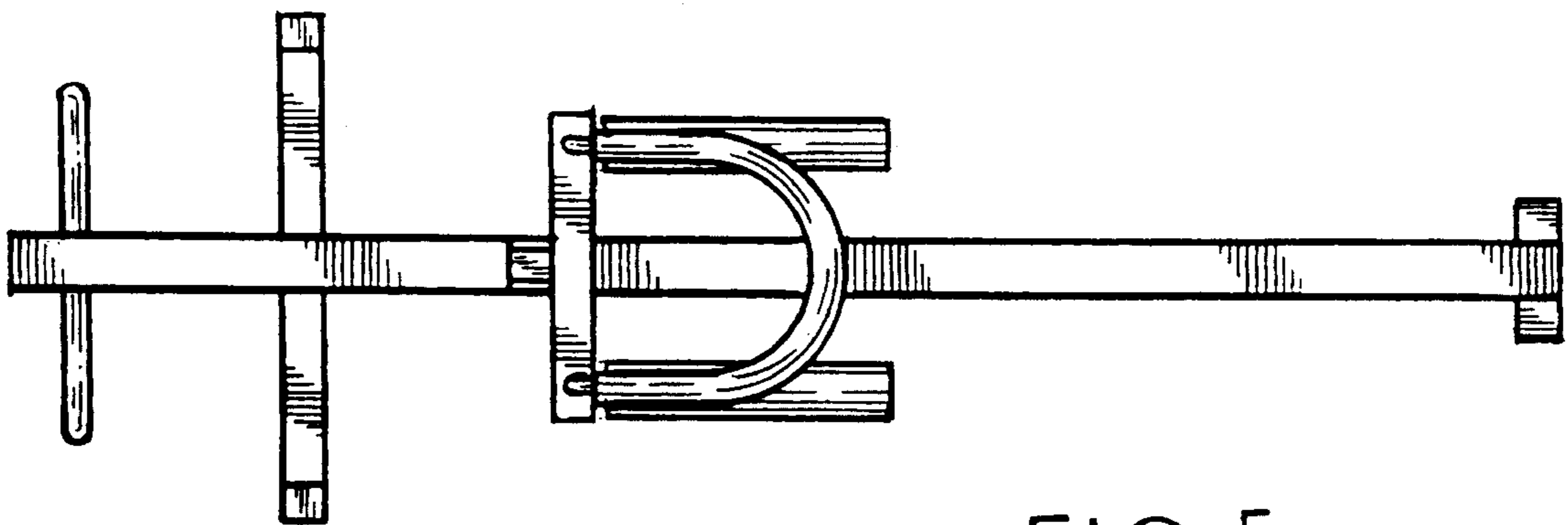


FIG. 5.