



US00D372943S

# United States Patent [19] Richards

[11] Patent Number: Des. 372,943

[45] Date of Patent: \*\*Aug. 20, 1996

[54] TOY TYPEWRITER

5,312,284 5/1994 Grober et al. .... 446/143

[75] Inventor: Martin J. Richards, Gedling, England

### OTHER PUBLICATIONS

[73] Assignee: Britains Petite Limited, United Kingdom

Sears Wishbook, 1991, p. 412, Typewriter #4.

Sears Wishbook, 1991, p. 413, Typewriter #9.

[\*\*] Term: 14 Years

Primary Examiner—Raphael Barkai

Attorney, Agent, or Firm—Kirschstein, et al.

[21] Appl. No.: 33,006

### [57] CLAIM

[22] Filed: Jan. 3, 1995

The ornamental design for a toy typewriter, as shown and described.

[52] U.S. Cl. .... D21/127; D18/1

[58] Field of Search ..... D21/122, 127;  
D18/1, 2; 446/143, 408, 481

### DESCRIPTION

### [56] References Cited

FIG. 1 is a front perspective elevational view of a toy typewriter showing my new design;  
FIG. 2 is a rear perspective view thereof;  
FIG. 3 is a top perspective view thereof;  
FIG. 4 is an underneath perspective view thereof;  
FIG. 5 is a left side perspective view thereof;  
FIG. 6 is a right side perspective view thereof; and,  
FIG. 7 is a front perspective view thereof.

#### U.S. PATENT DOCUMENTS

D. 224,942	10/1972	Funato et al. ....	D18/1
D. 252,153	6/1979	Boot .....	D18/1
D. 254,319	2/1980	Shiraishi .....	D21/127
D. 279,205	6/1985	Catelli .....	D18/1
D. 279,805	7/1985	Ng .....	D21/127
D. 310,680	9/1990	Bratasevec .....	D18/1
4,156,322	5/1979	Seki .....	446/143

1 Claim, 5 Drawing Sheets

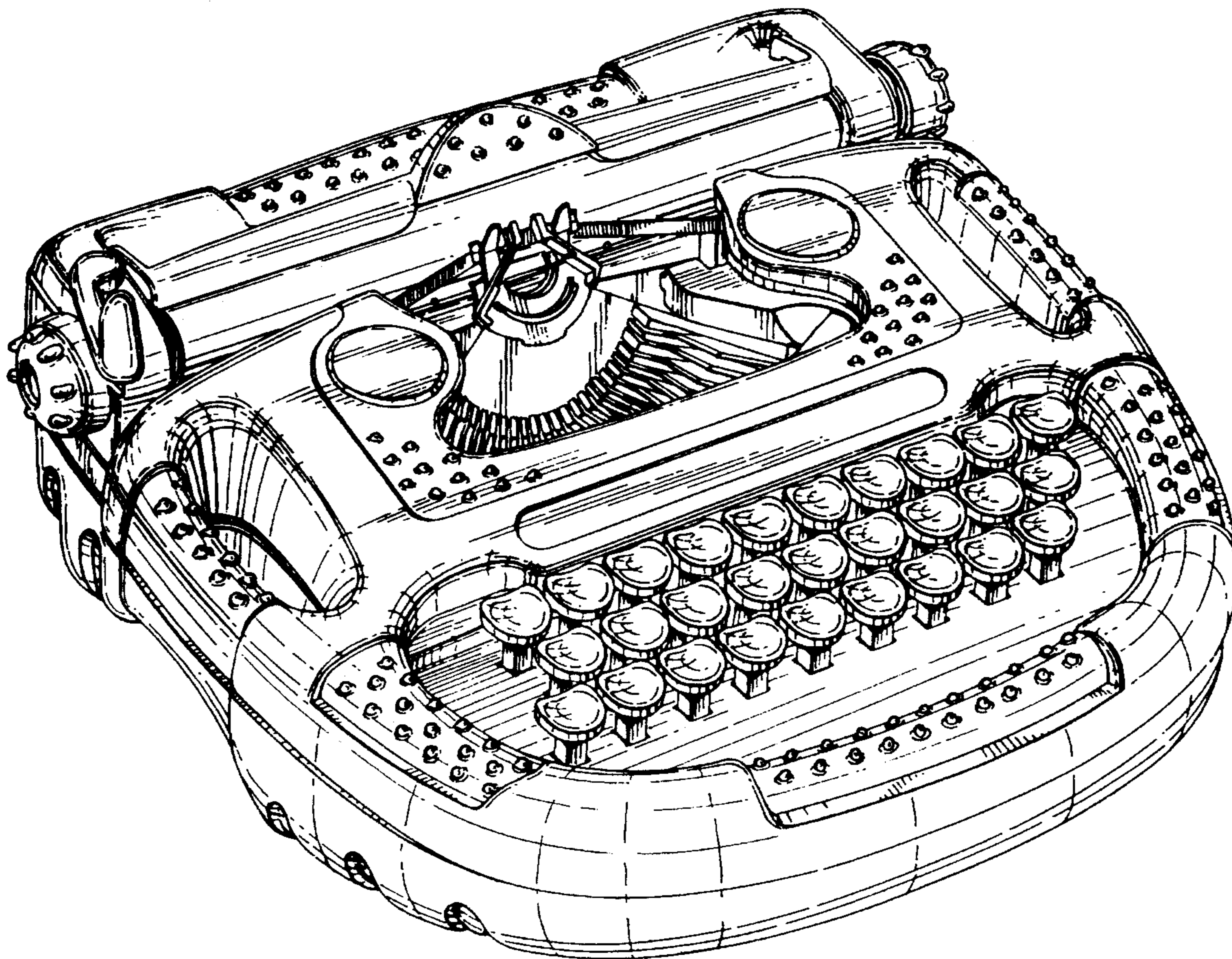


Fig. 1.

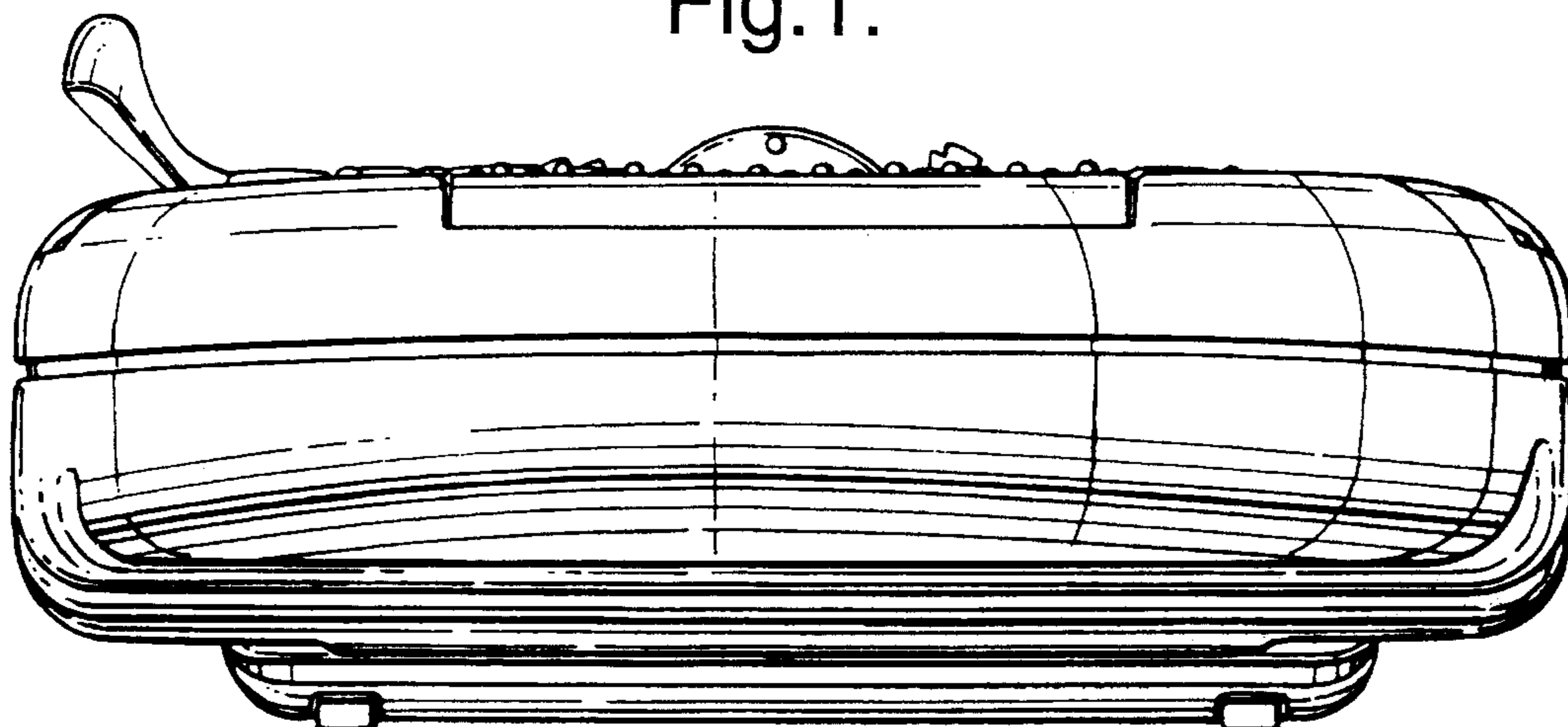


Fig. 2.

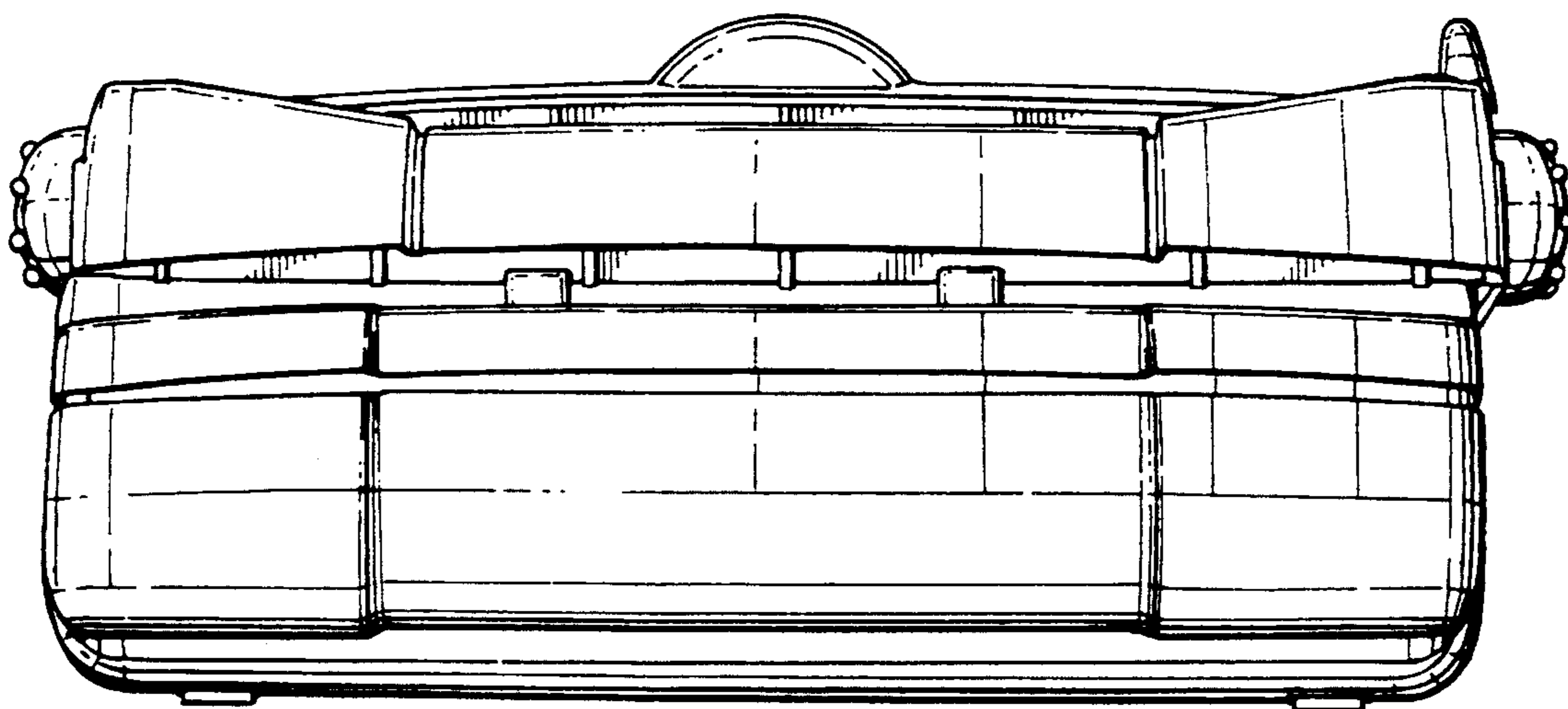


Fig.3.

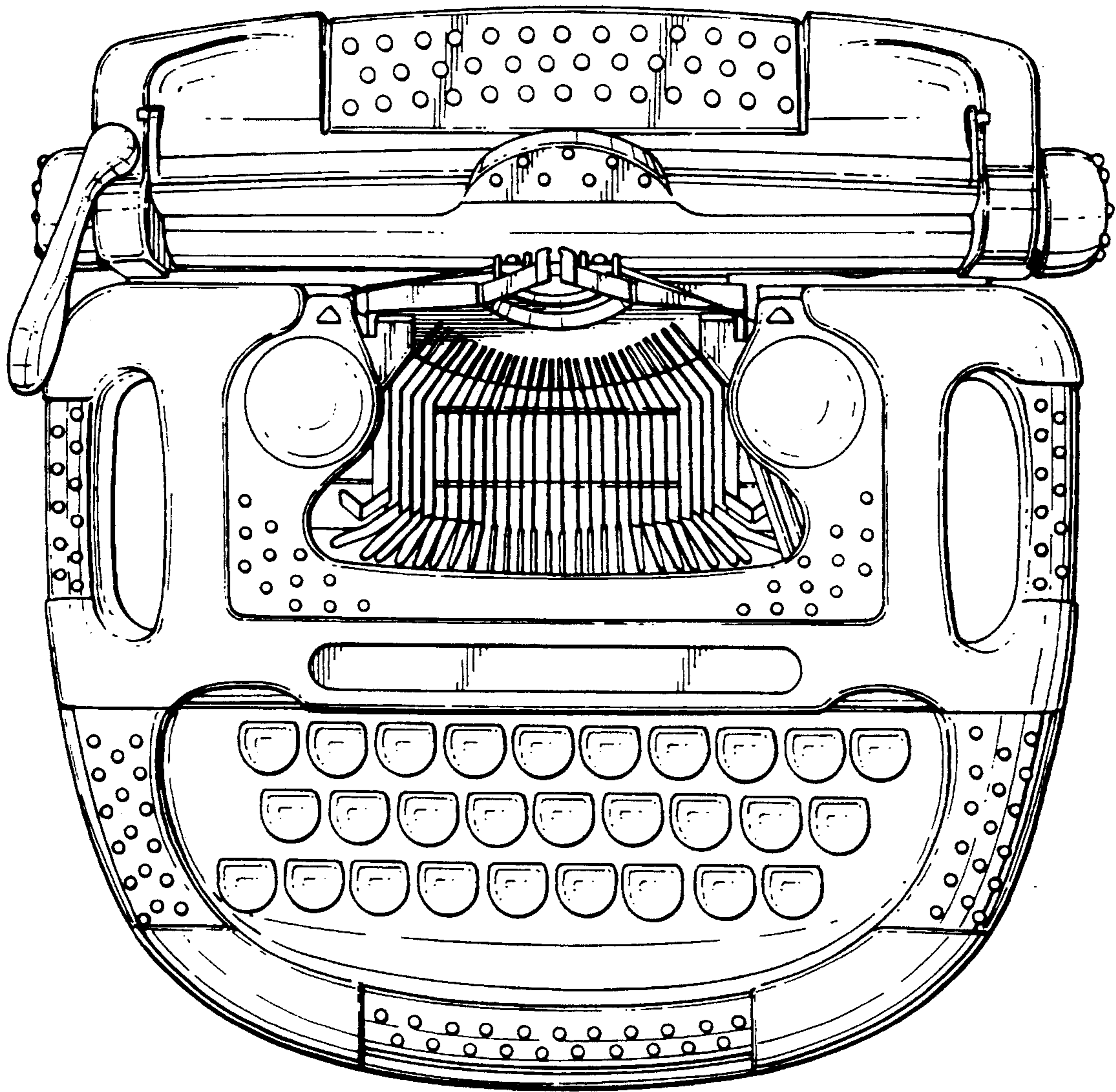


Fig.4.

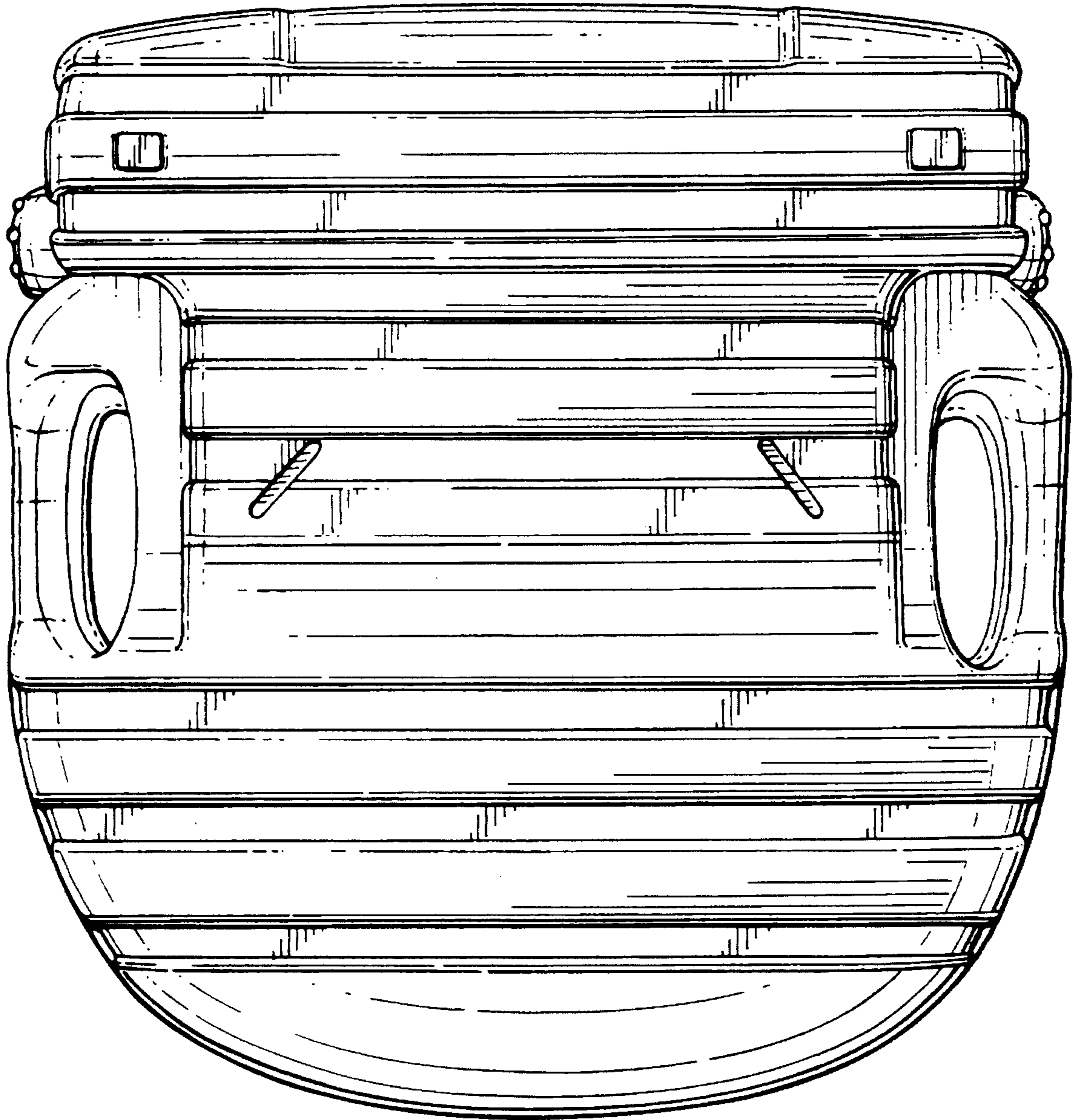


Fig.5.

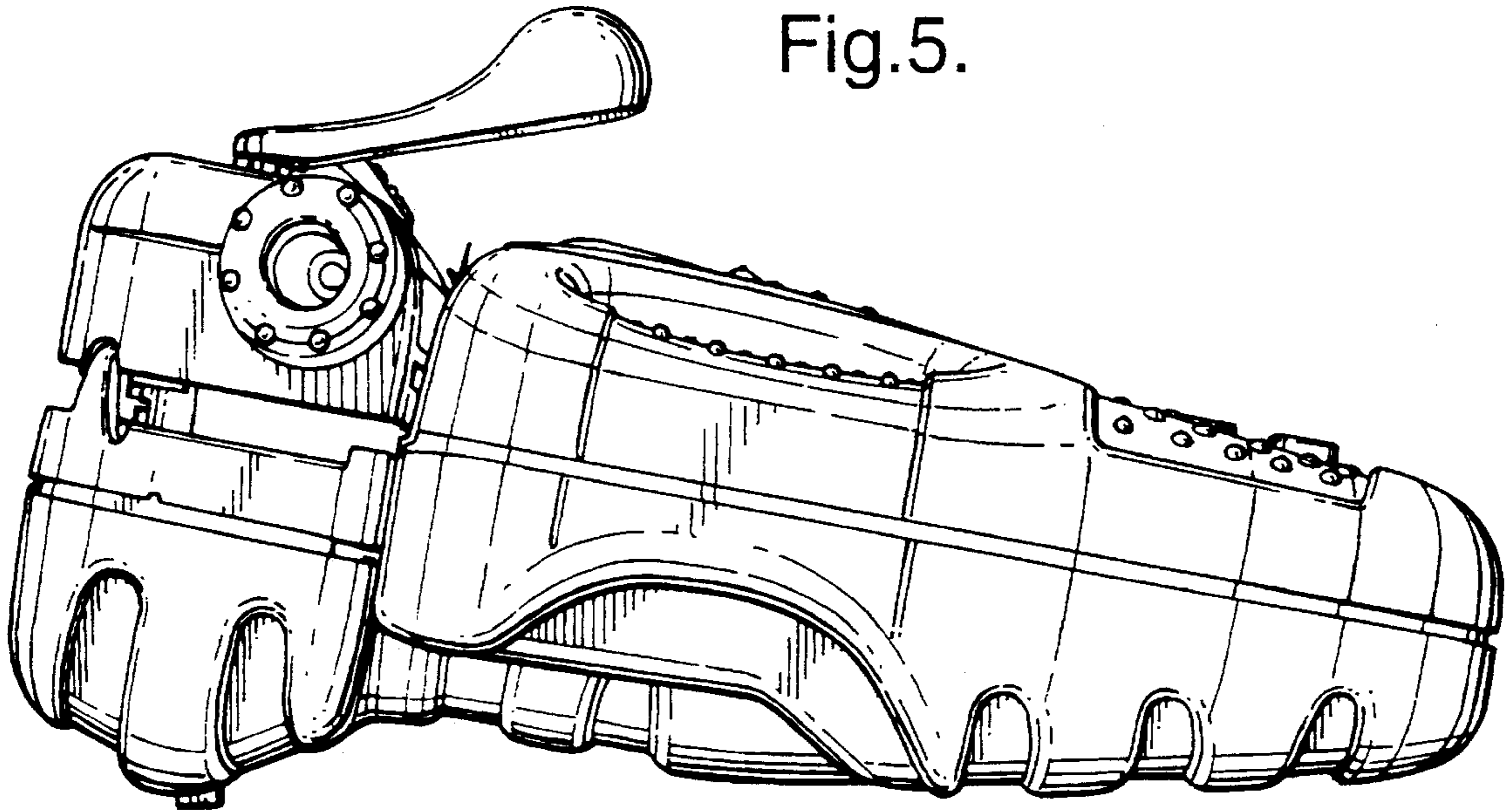
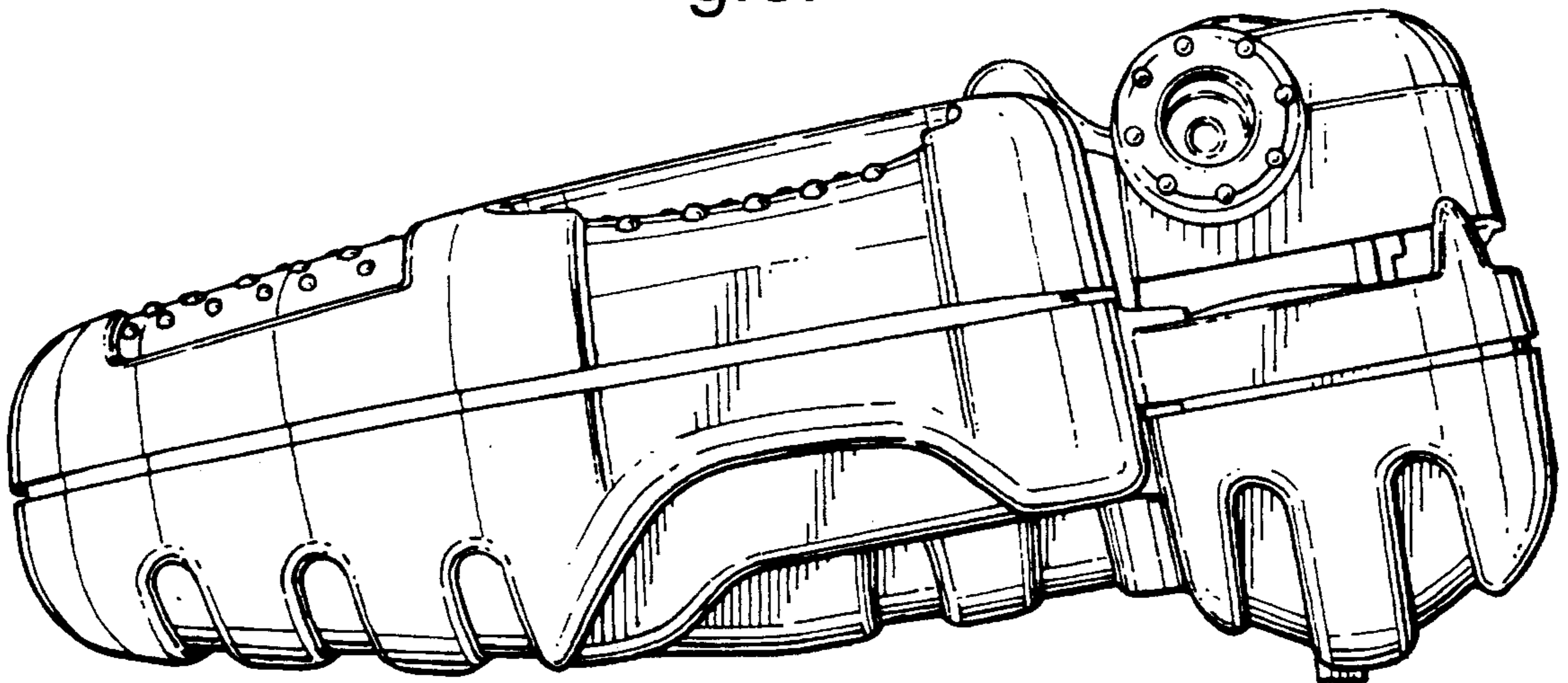


Fig.6.



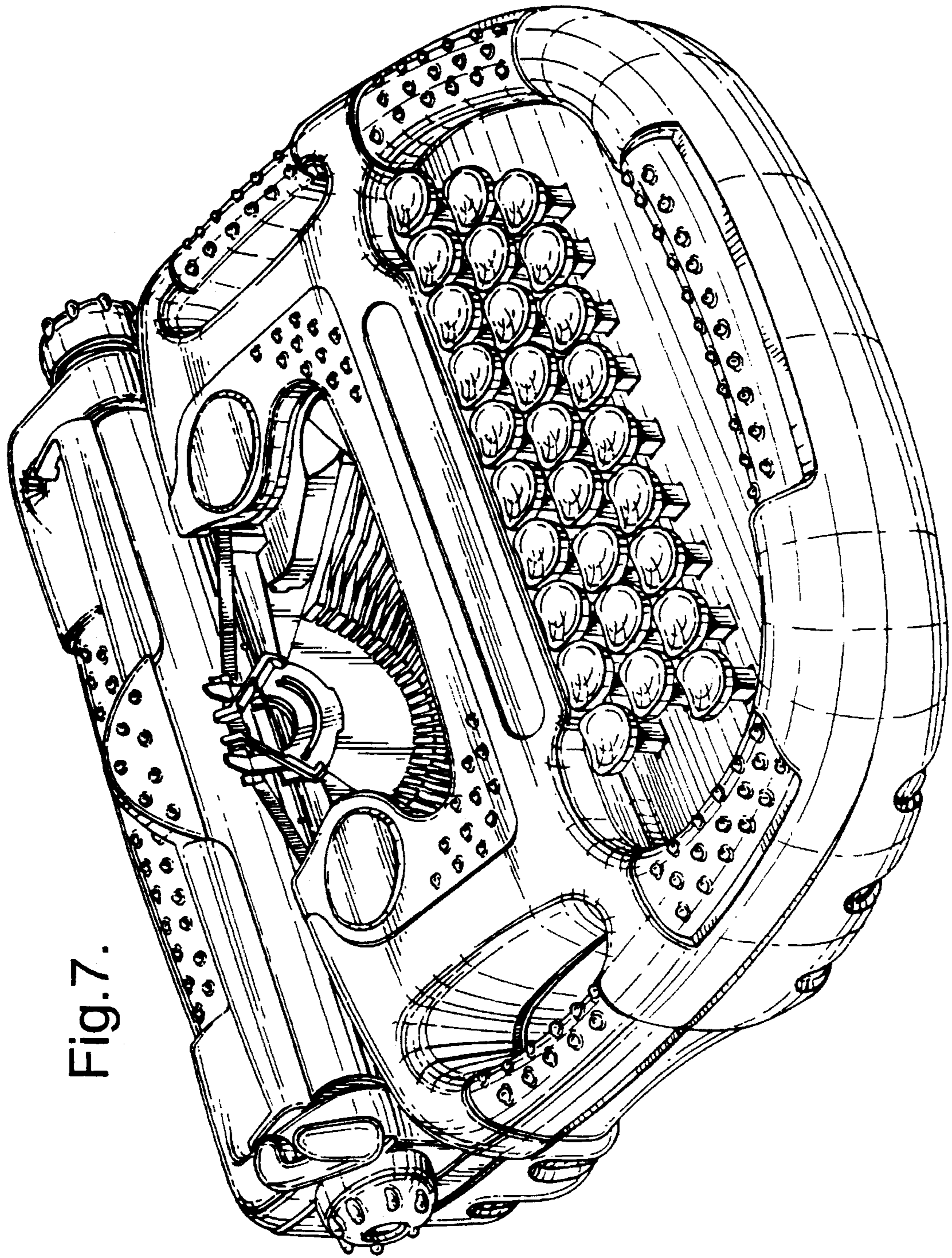


Fig. 7.