



US00D372939S

United States Patent [19]

[11] Patent Number: Des. 372,939

Callas

[45] Date of Patent: **Aug. 20, 1996

[54] SIGN HOLDER

FOREIGN PATENT DOCUMENTS

[76] Inventor: **Mike T. Callas**, 120 Gideons Point Rd.,
Tonka Bay, Minn. 55331

1030537 5/1958 Germany .

Primary Examiner—Marcus A. Jackson
Attorney, Agent, or Firm—Burd, Bartz & Gutenkauf

[**] Term: **14 Years**

[57] CLAIM

[21] Appl. No.: **40,137**

The ornamental design for a sign holder, as shown and described.

[22] Filed: **Jun. 12, 1995**

DESCRIPTION

[52] U.S. Cl. **D20/43; D25/119**

[58] Field of Search D20/10, 39, 40,
D20/42, 43, 44; 40/1, 1.6, 642, 643, 644,
649, 650, 658, 661, 662; 248/297.2, 295.1,
298, 299; D25/119, 122, 124

FIG. 1 is a perspective view showing the sign holder of my new design;

FIG. 2 is a side elevational view thereof, with the opposite side being a mirror image, and with the center broken away for convenience of illustration only;

FIG. 3 is a top plan view thereof;

FIG. 4 is a bottom plan view thereof;

FIG. 5 is an end elevational view thereof, the opposite side being a mirror image thereof;

FIG. 6 is an enlarged sectional view taken along the line 6—6 of FIG. 2;

FIG. 7 is a perspective view of a second embodiment thereof;

FIG. 8 is a side elevational view thereof, with the opposite side being a mirror image, and with the center broken away for convenience of illustration only;

FIG. 9 is a top plan view of FIG. 7;

FIG. 10 is a bottom plan view of FIG. 7;

FIG. 11 is an end view of the left end of FIG. 7;

FIG. 12 is an end view of the right end of FIG. 7;

FIG. 13 is an enlarged sectional view taken along the line 13—13 of FIG. 8;

FIG. 14 is a perspective view of a third embodiment thereof;

FIG. 15 is a side elevational view thereof, with the opposite side being a mirror image, and with the center broken away for convenience of illustration only;

FIG. 16 is a top plan view of FIG. 14;

FIG. 17 is a bottom plan view of FIG. 14;

FIG. 18 is an end elevational view of the left end of FIG. 14;

FIG. 19 is an end elevational view of the right end of FIG. 14;

FIG. 20 is an enlarged sectional view taken along the line 20—20 of FIG. 15; and,

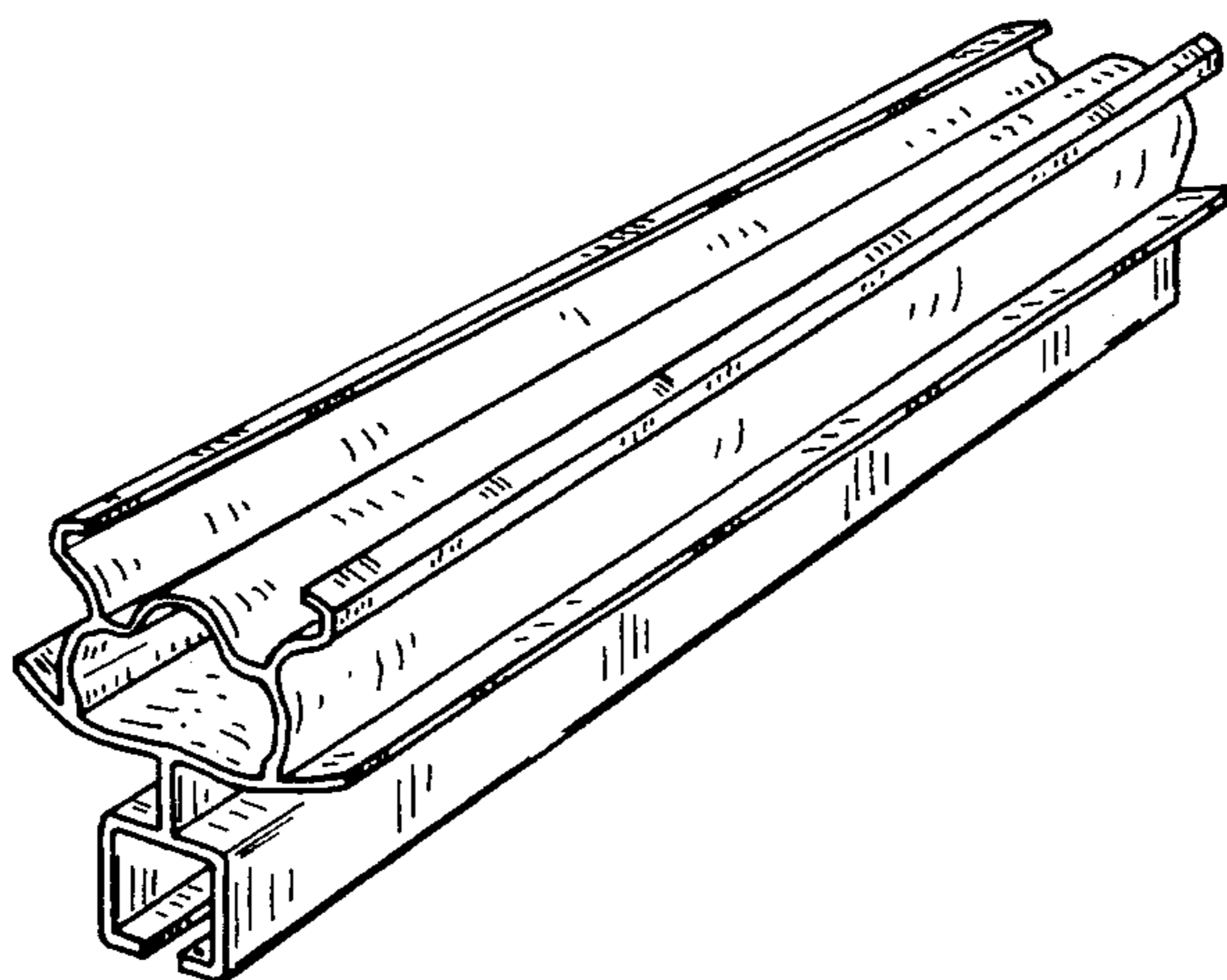
FIG. 21 is an enlarged sectional view taken along the line 21—21 of FIG. 15.

[56] References Cited

U.S. PATENT DOCUMENTS

D. 220,257	3/1971	Schooler	D20/43
D. 240,709	7/1976	Vanderber et al. .	
D. 283,674	5/1986	Paradis et al. .	
D. 289,251	4/1987	Joseph .	
D. 311,426	10/1990	Ytter	D20/43
D. 311,583	10/1990	Shell	D25/119
D. 318,742	7/1991	Miller	D25/119
D. 321,639	11/1991	Adams .	
D. 321,914	11/1991	Tam .	
D. 347,449	5/1994	Garfinkle .	
D. 348,109	6/1994	Dallaire	D25/119
D. 350,157	8/1994	Hart .	
1,417,325	5/1922	Hopp .	
1,717,156	6/1929	Johansson .	
2,704,409	3/1955	Randall .	
2,809,017	10/1957	Wong	D25/119
3,743,228	7/1973	Drab .	
3,936,913	2/1976	Weissman .	
3,952,985	4/1976	Davenport .	
4,112,550	9/1978	DeWitt et al. .	
4,118,000	10/1978	Campbell .	
4,135,692	1/1979	Ferguson .	
4,223,488	9/1980	Schoenung .	
4,315,611	2/1982	Hoop .	
4,318,525	3/1982	Welch .	
4,392,316	7/1983	Thomas .	
4,564,165	1/1986	Grant et al. .	
4,667,913	5/1987	Peelle et al. .	
5,188,332	2/1993	Callas .	
5,381,991	1/1995	Stocker .	

1 Claim, 4 Drawing Sheets



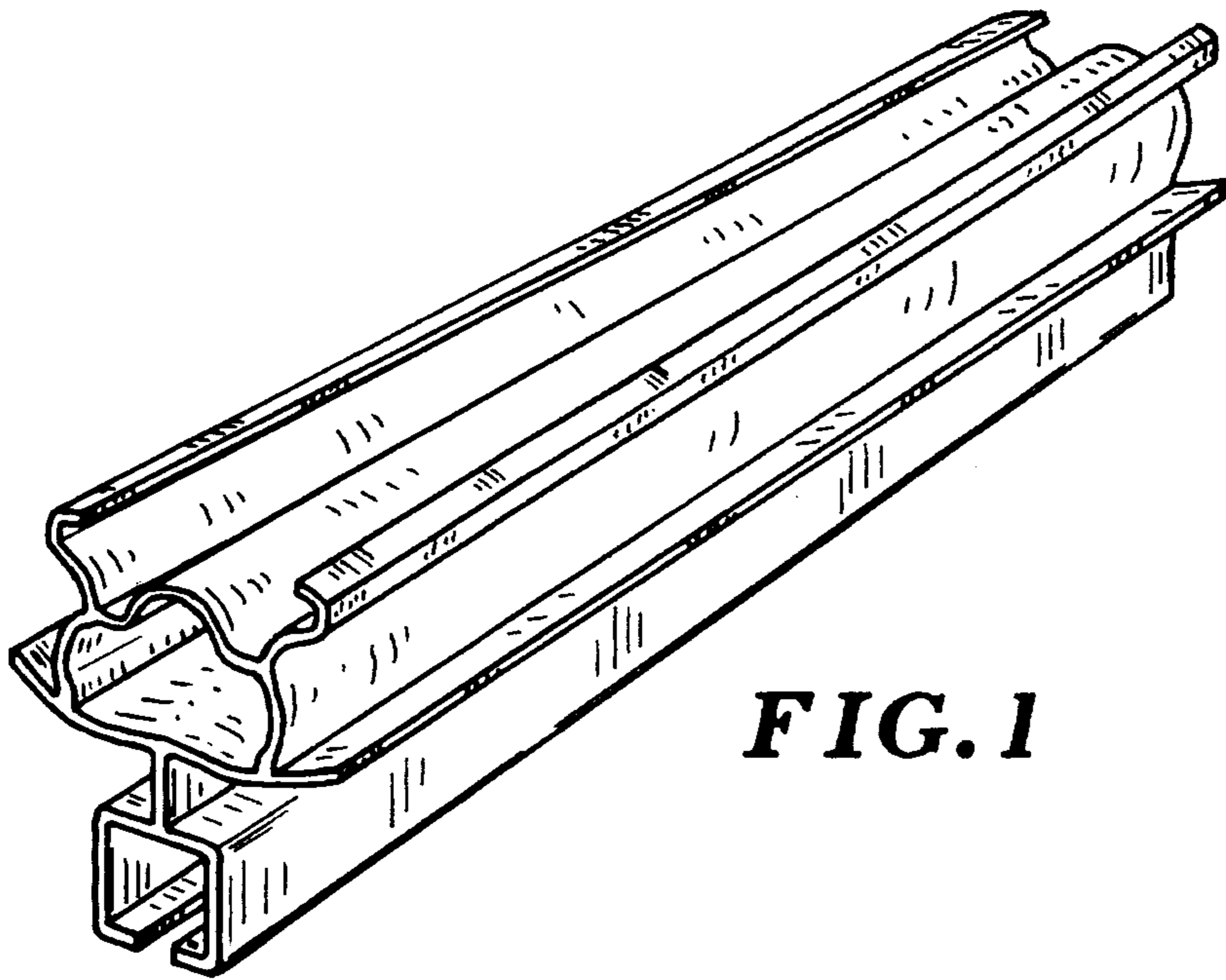


FIG. 1

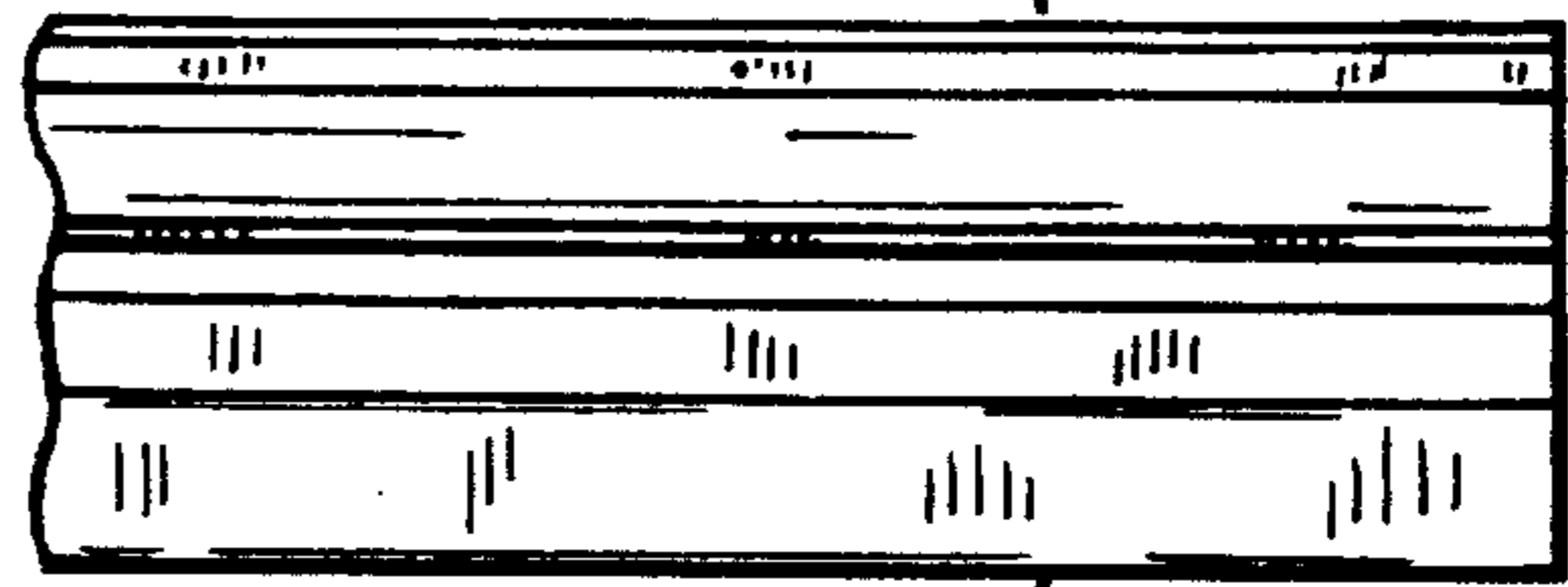
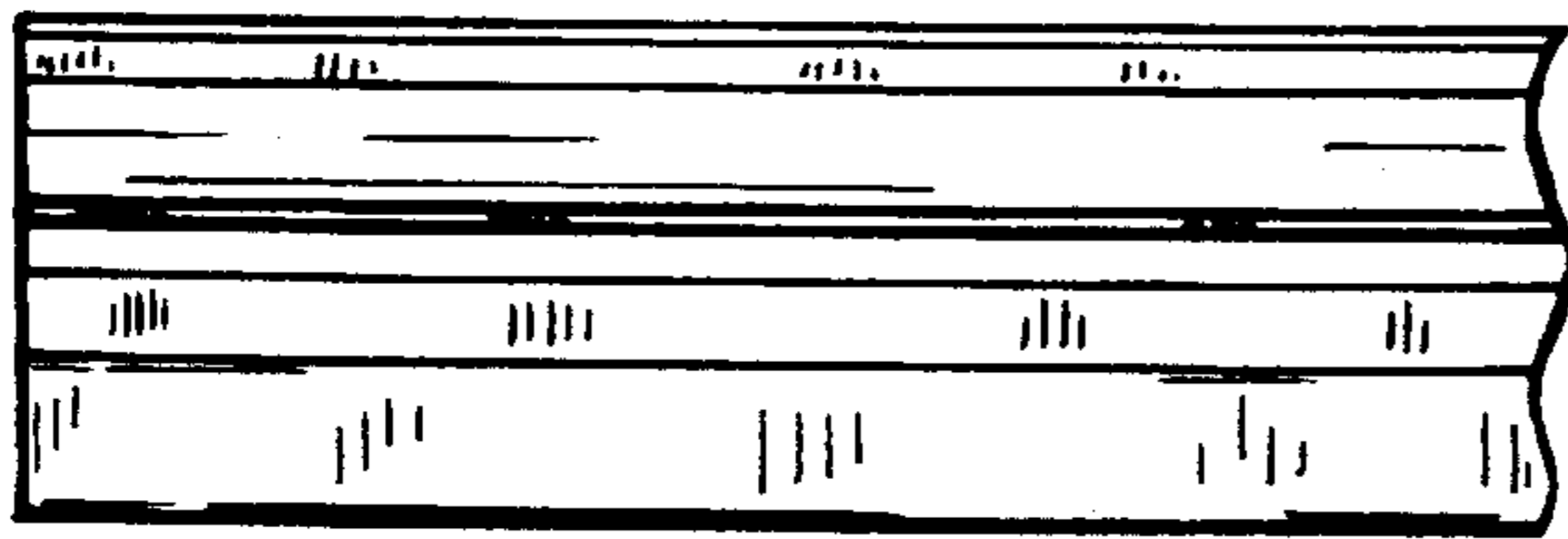


FIG. 2

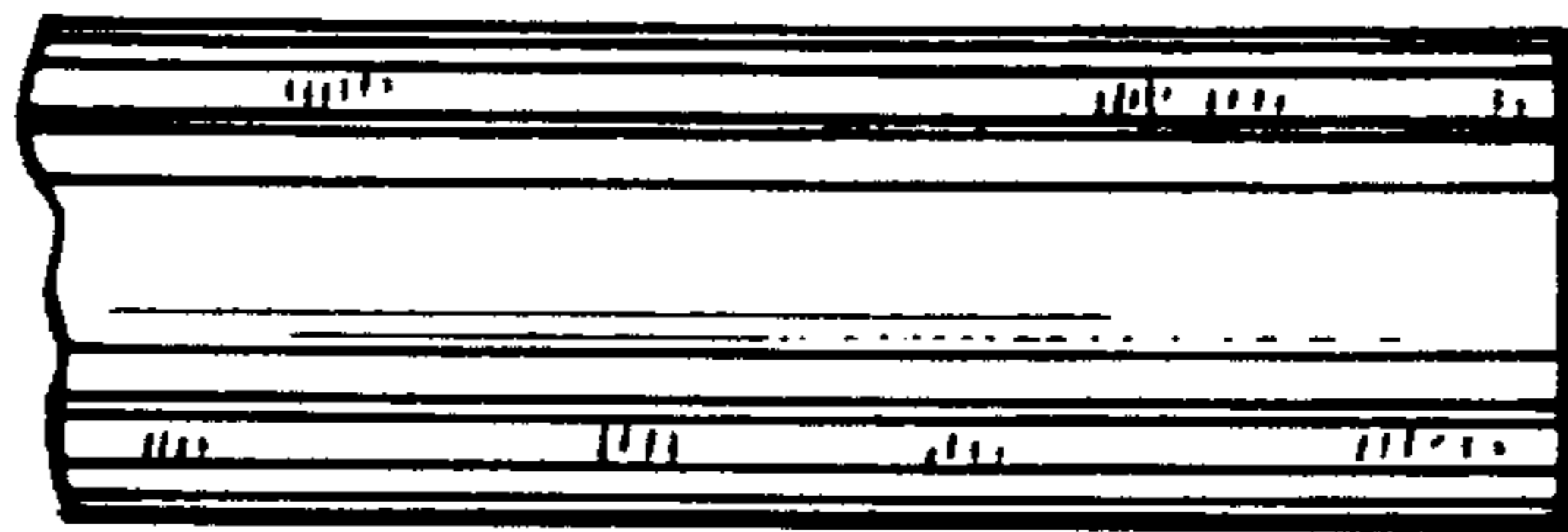
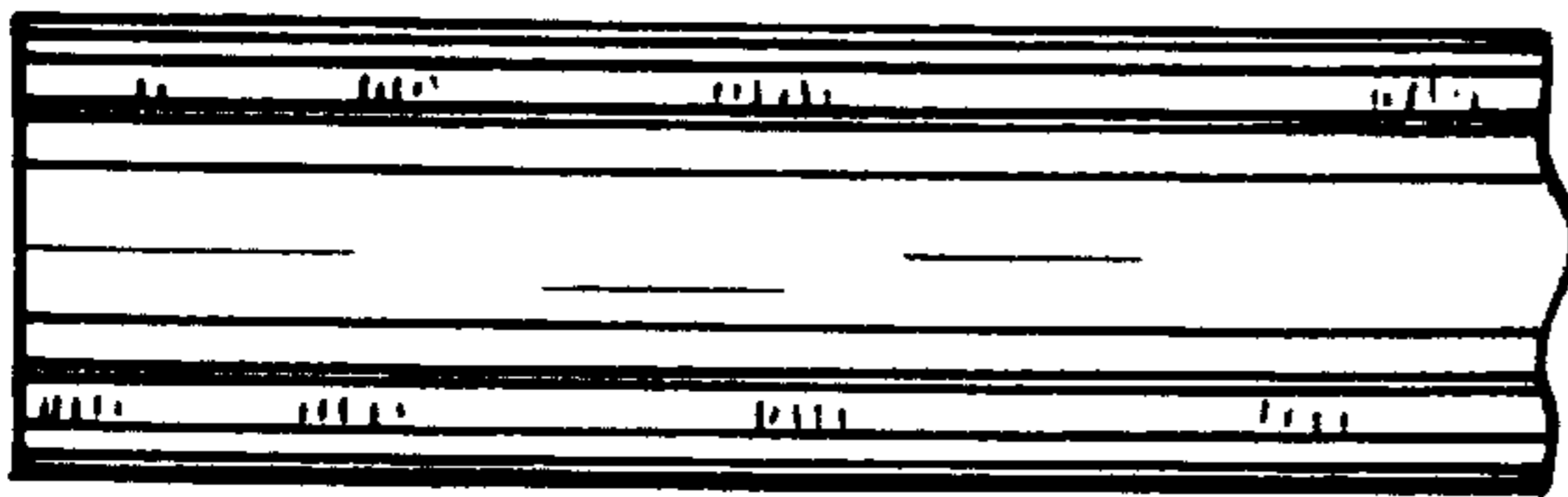


FIG. 3

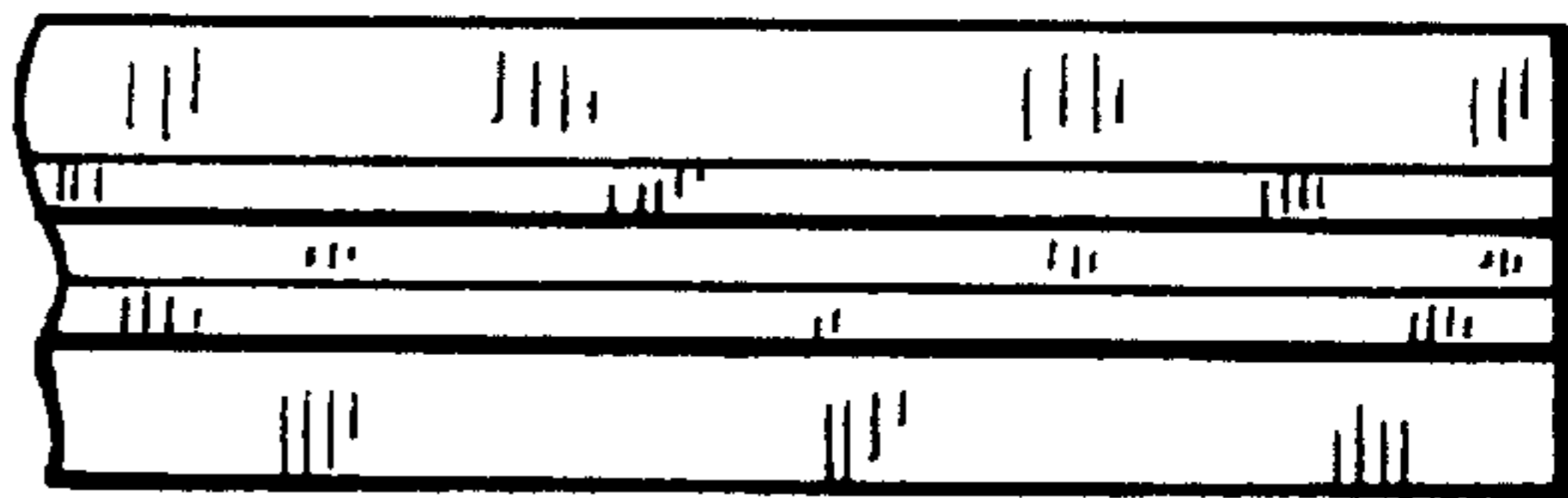
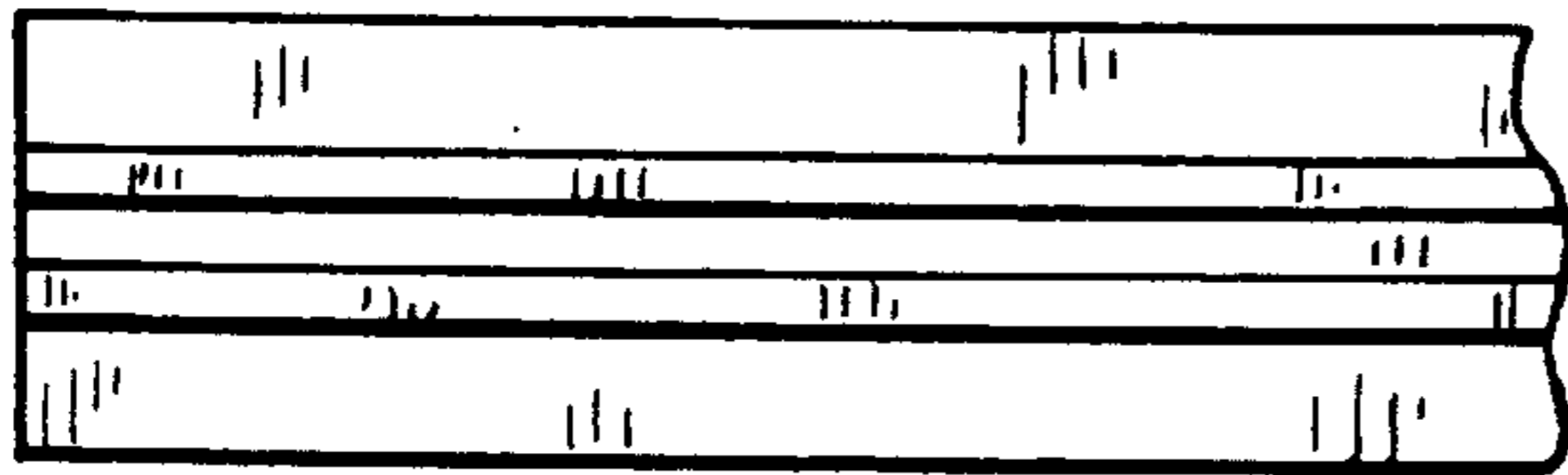


FIG. 4

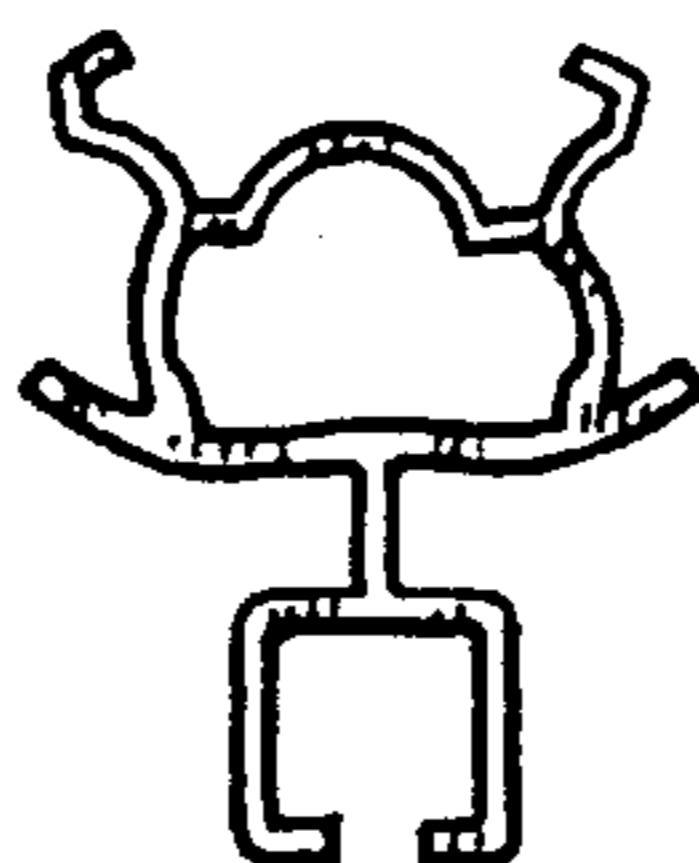


FIG. 5

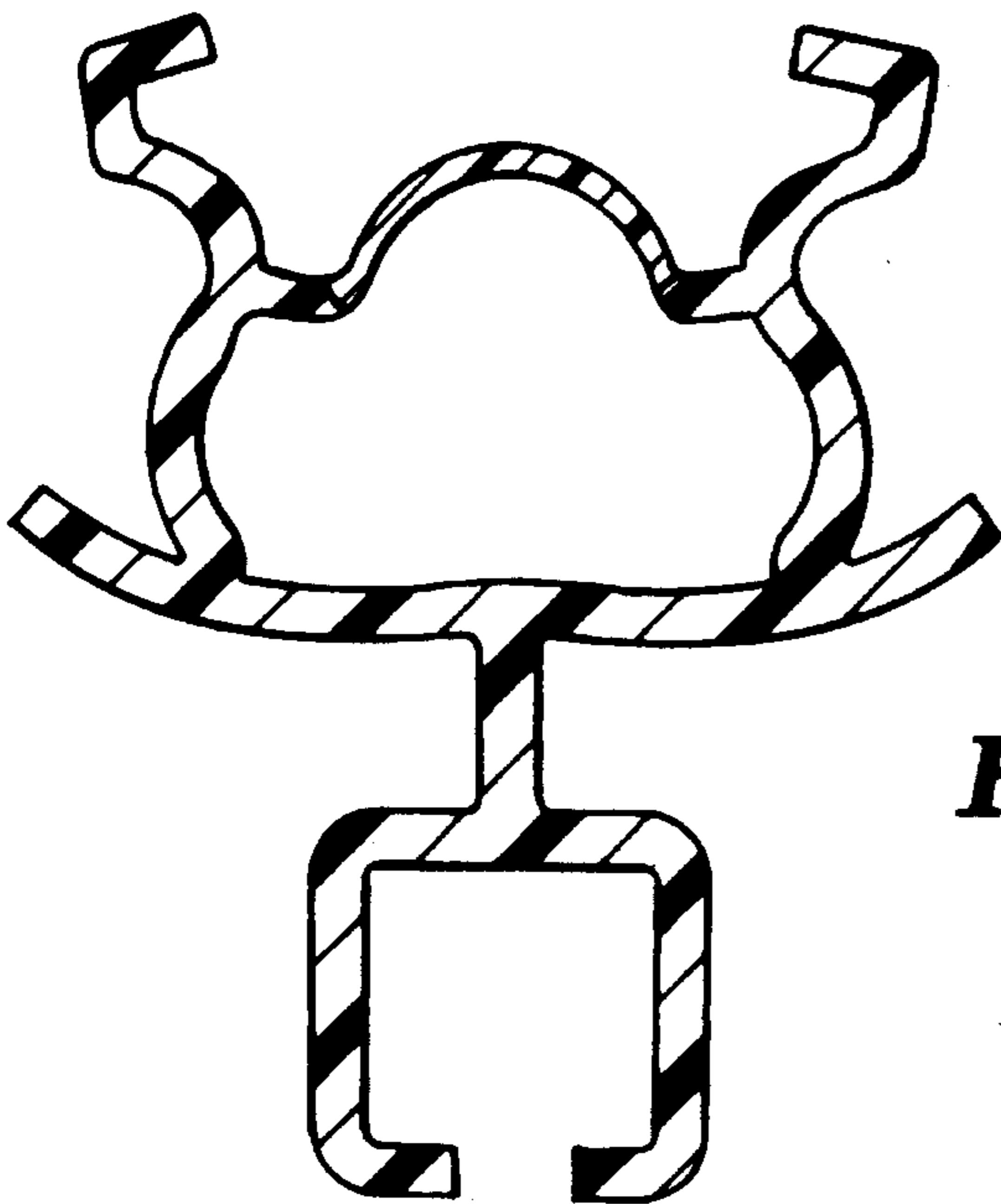


FIG. 6

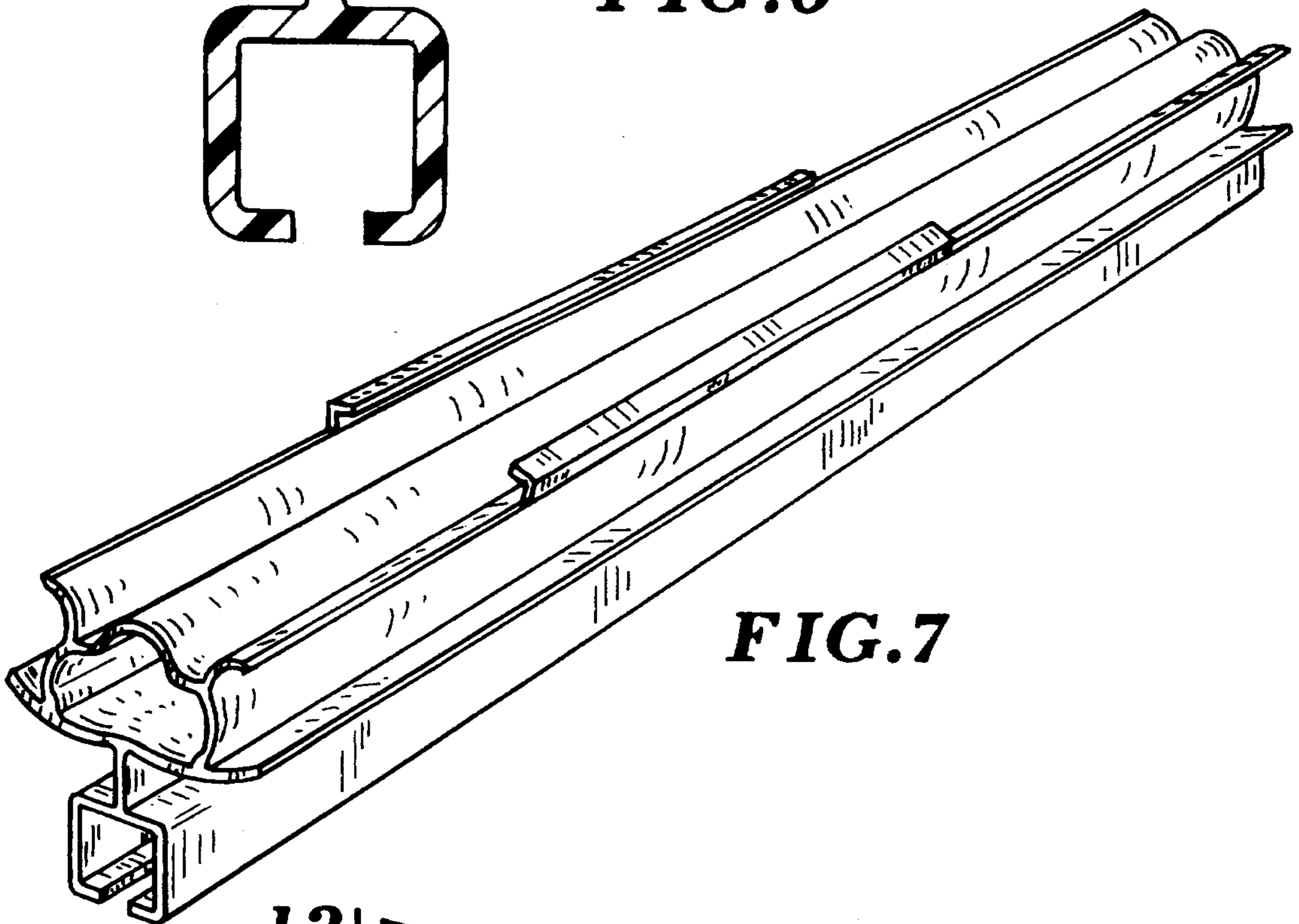


FIG. 7

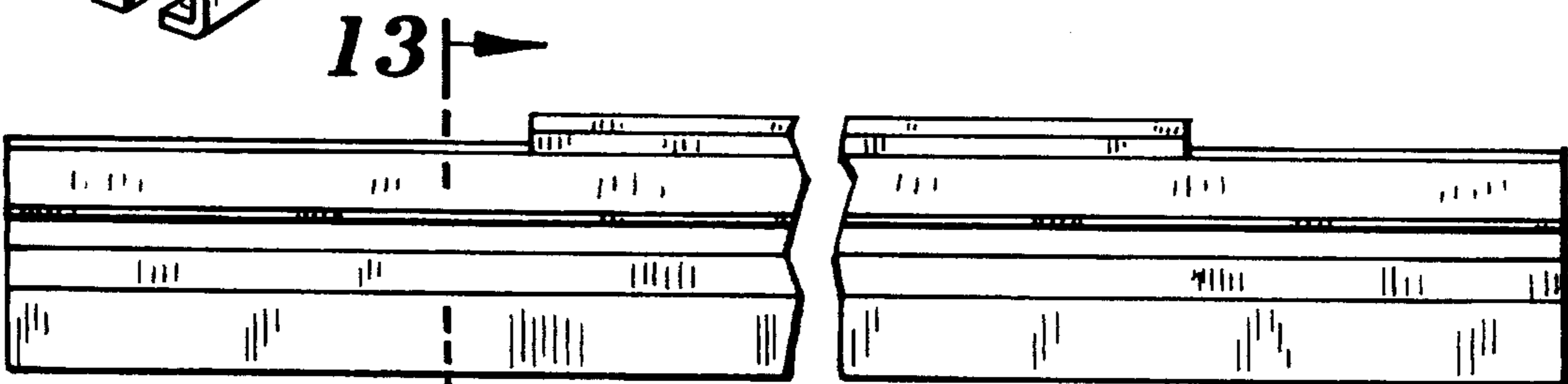


FIG. 8

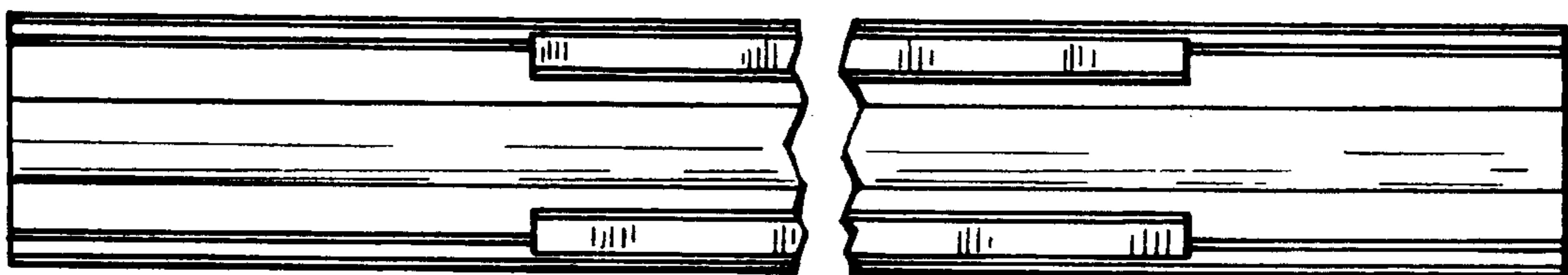


FIG. 9

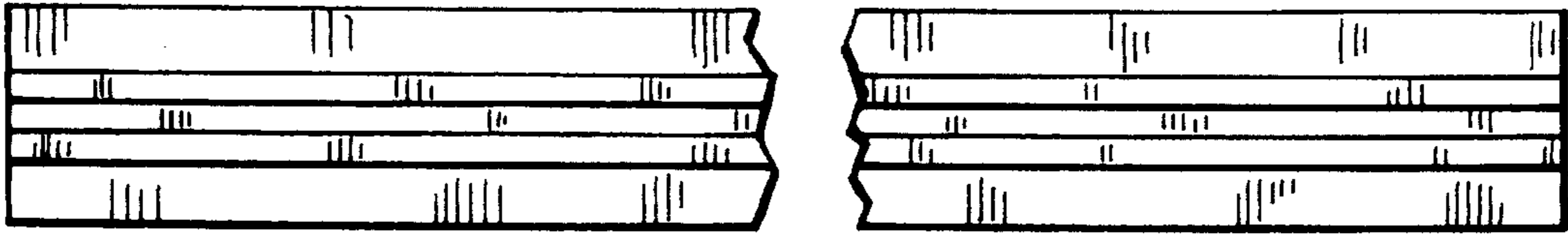


FIG. 10

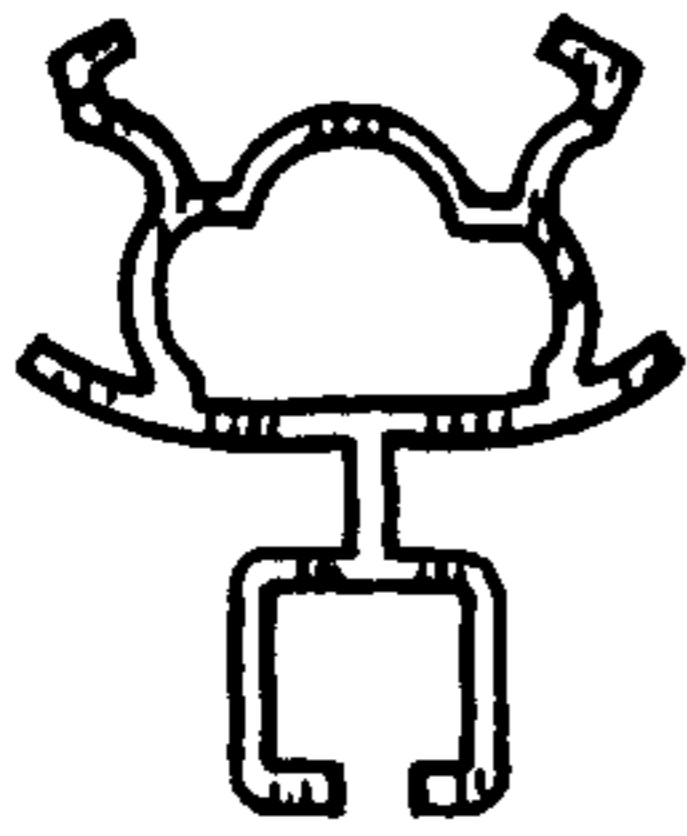


FIG. 11

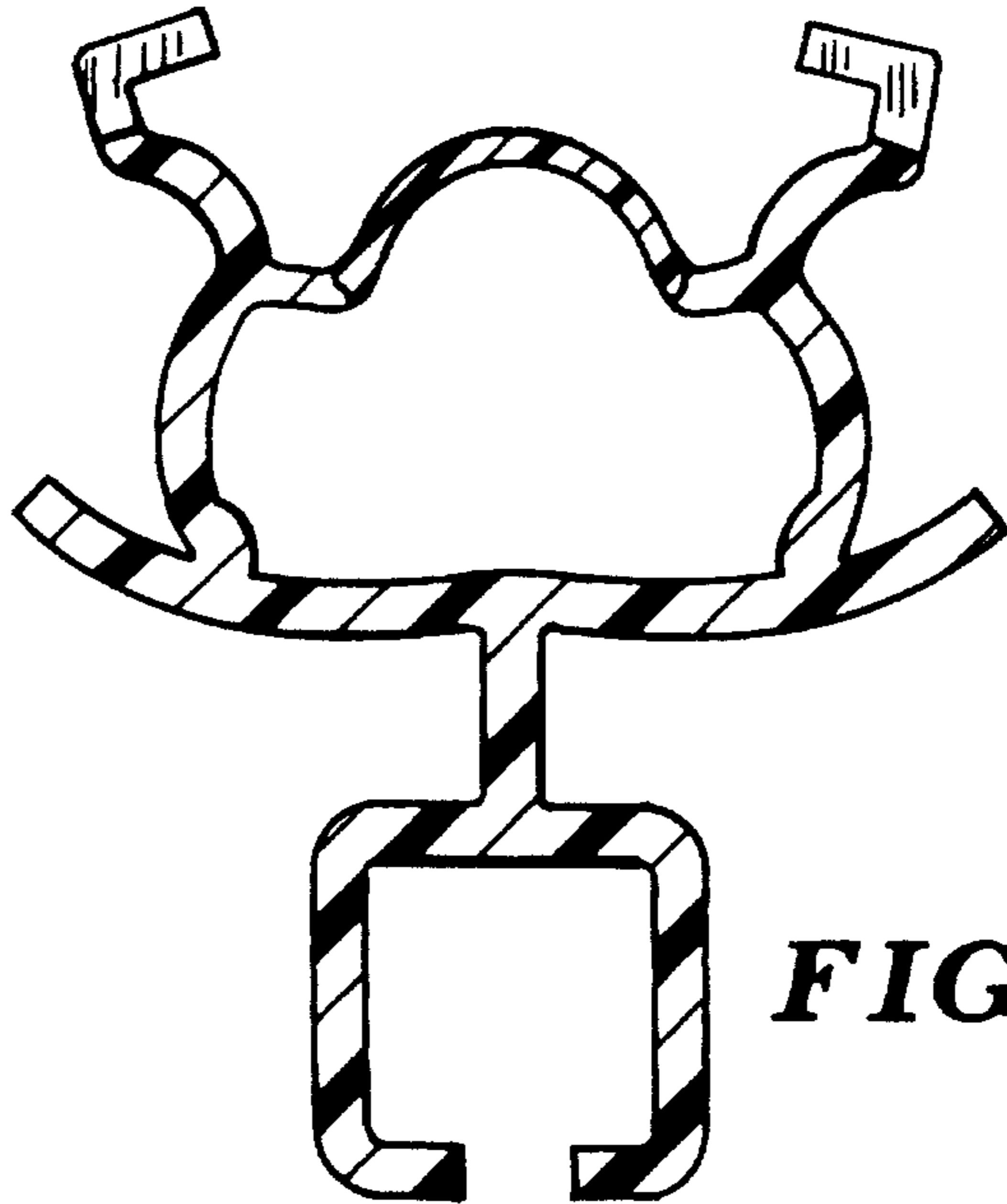


FIG. 13

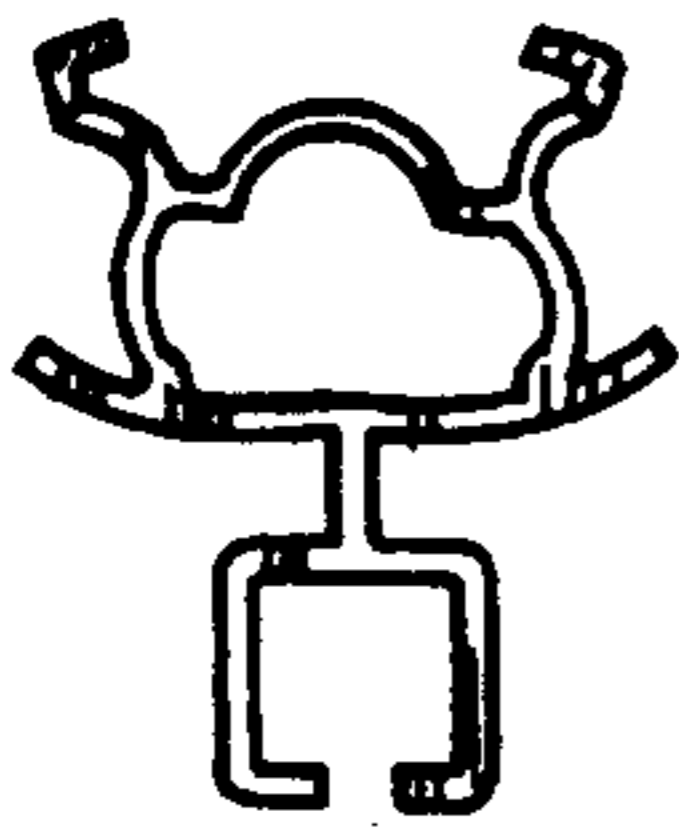


FIG. 12

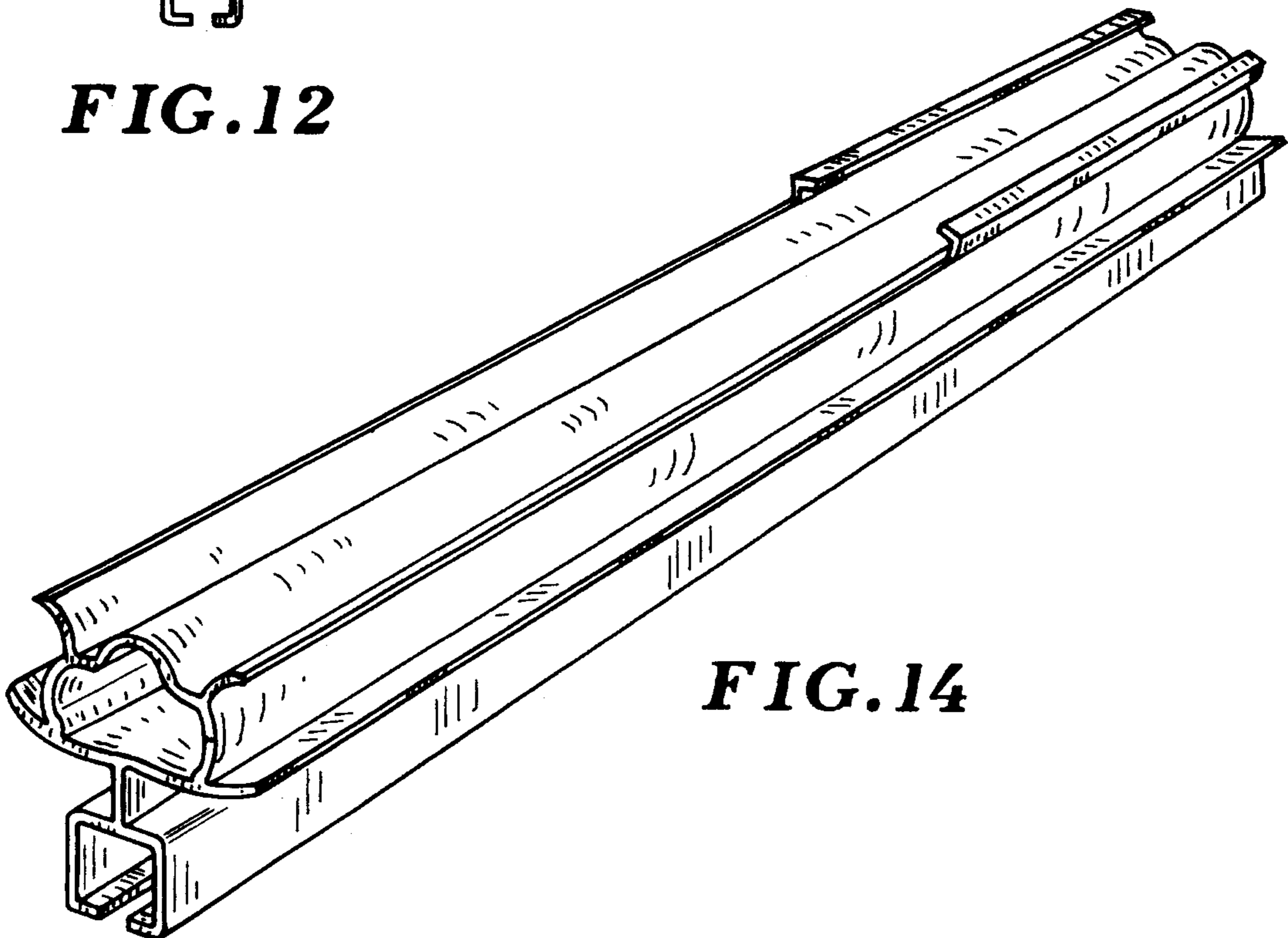


FIG. 14

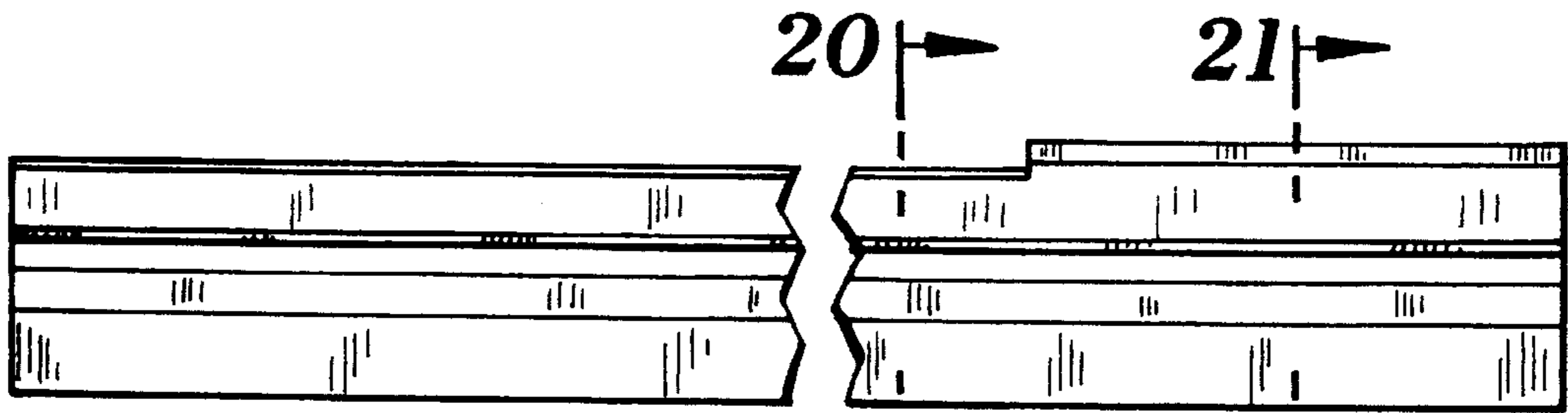


FIG. 15

20

21

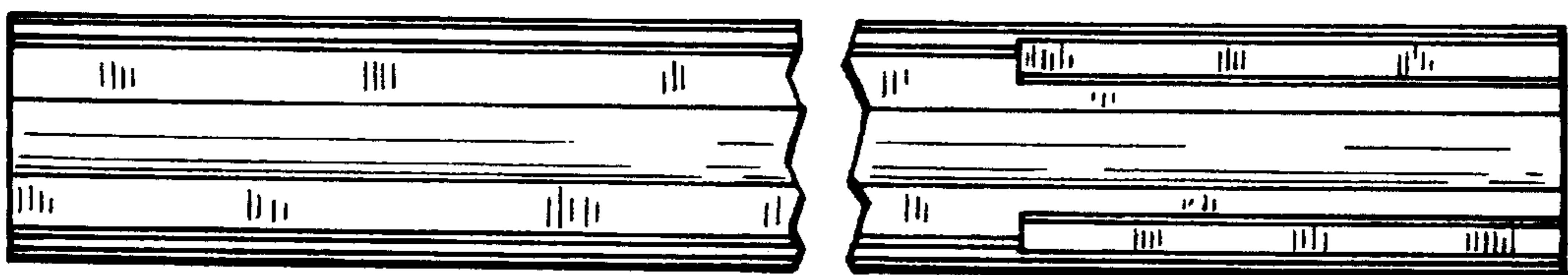


FIG. 16

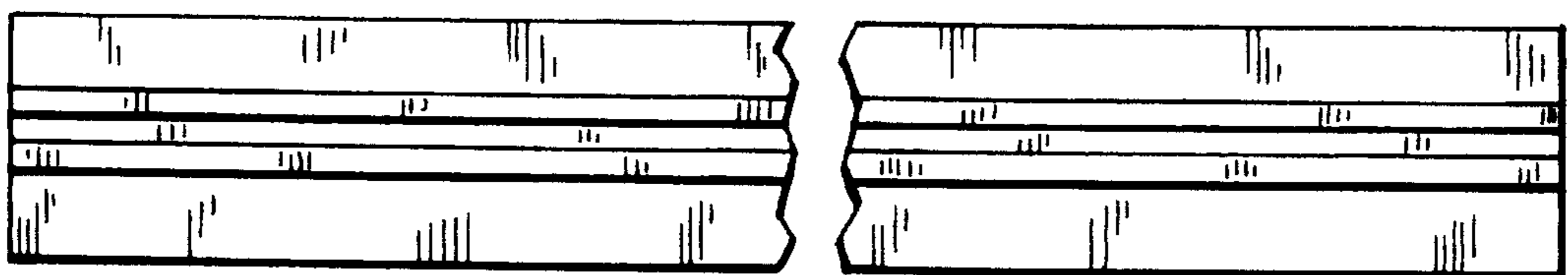


FIG. 17

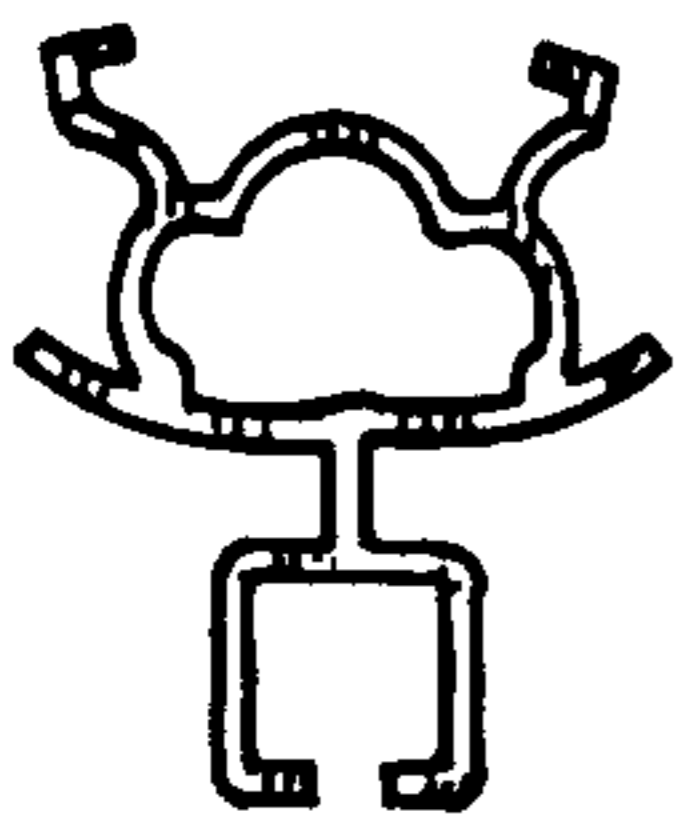


FIG. 18

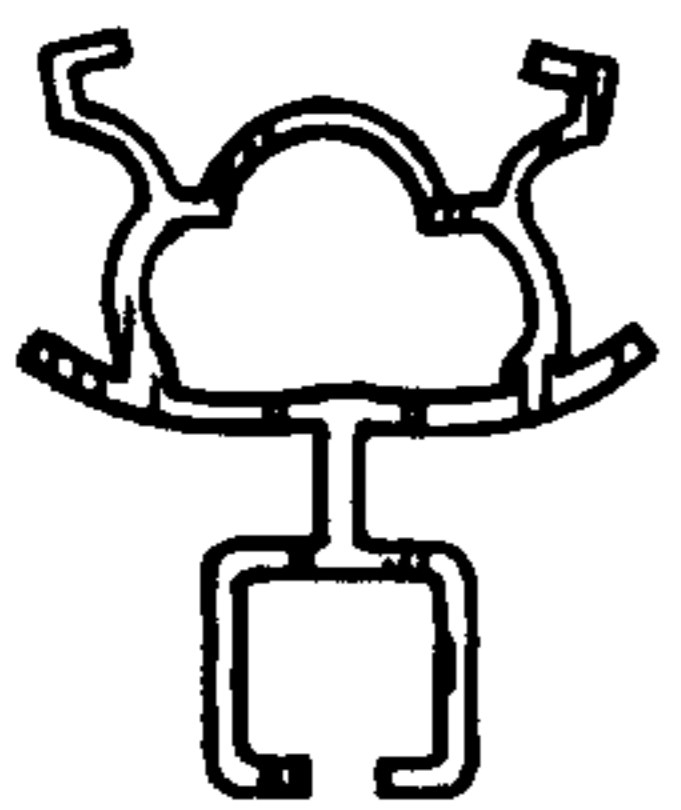


FIG. 19

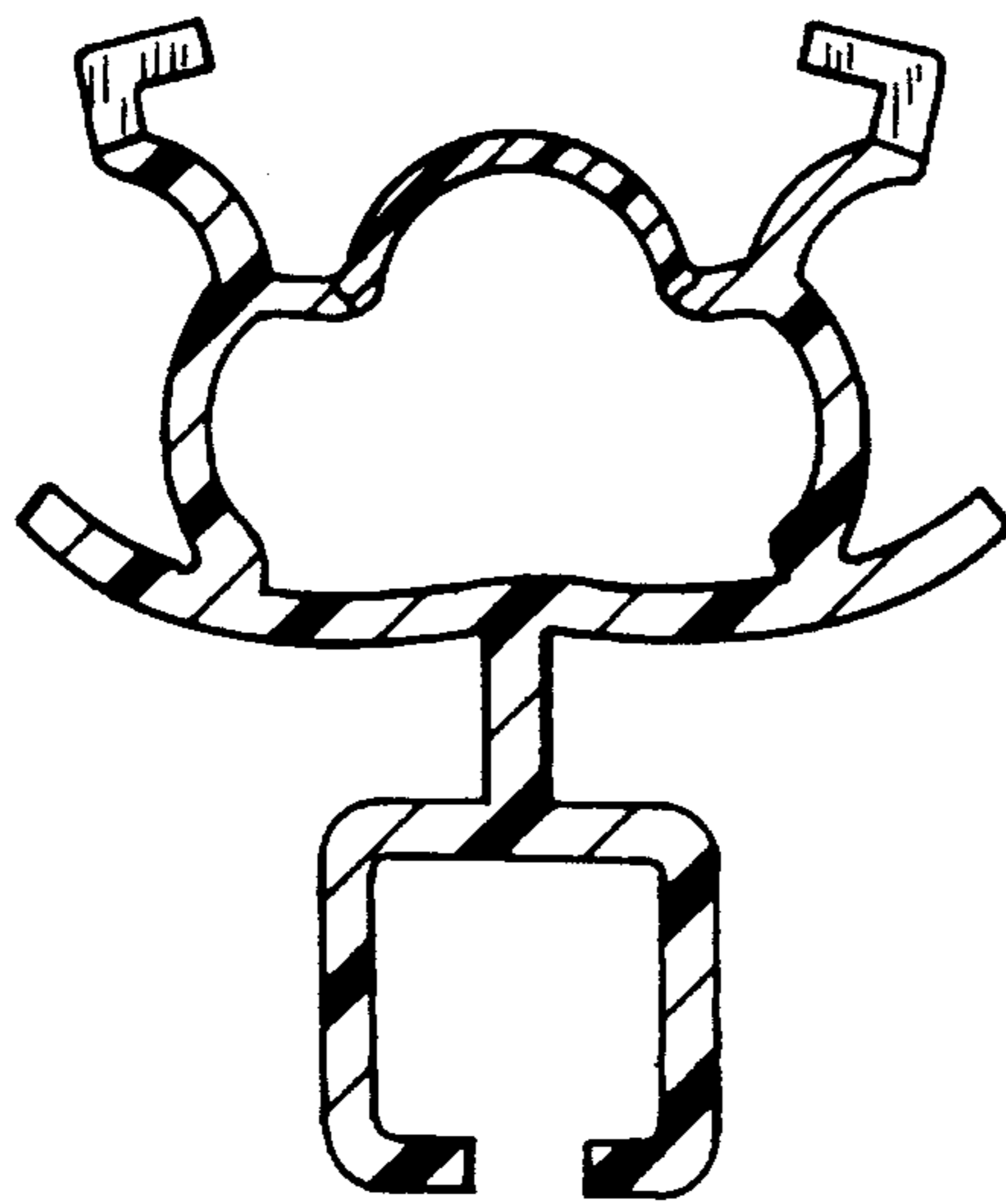


FIG. 20

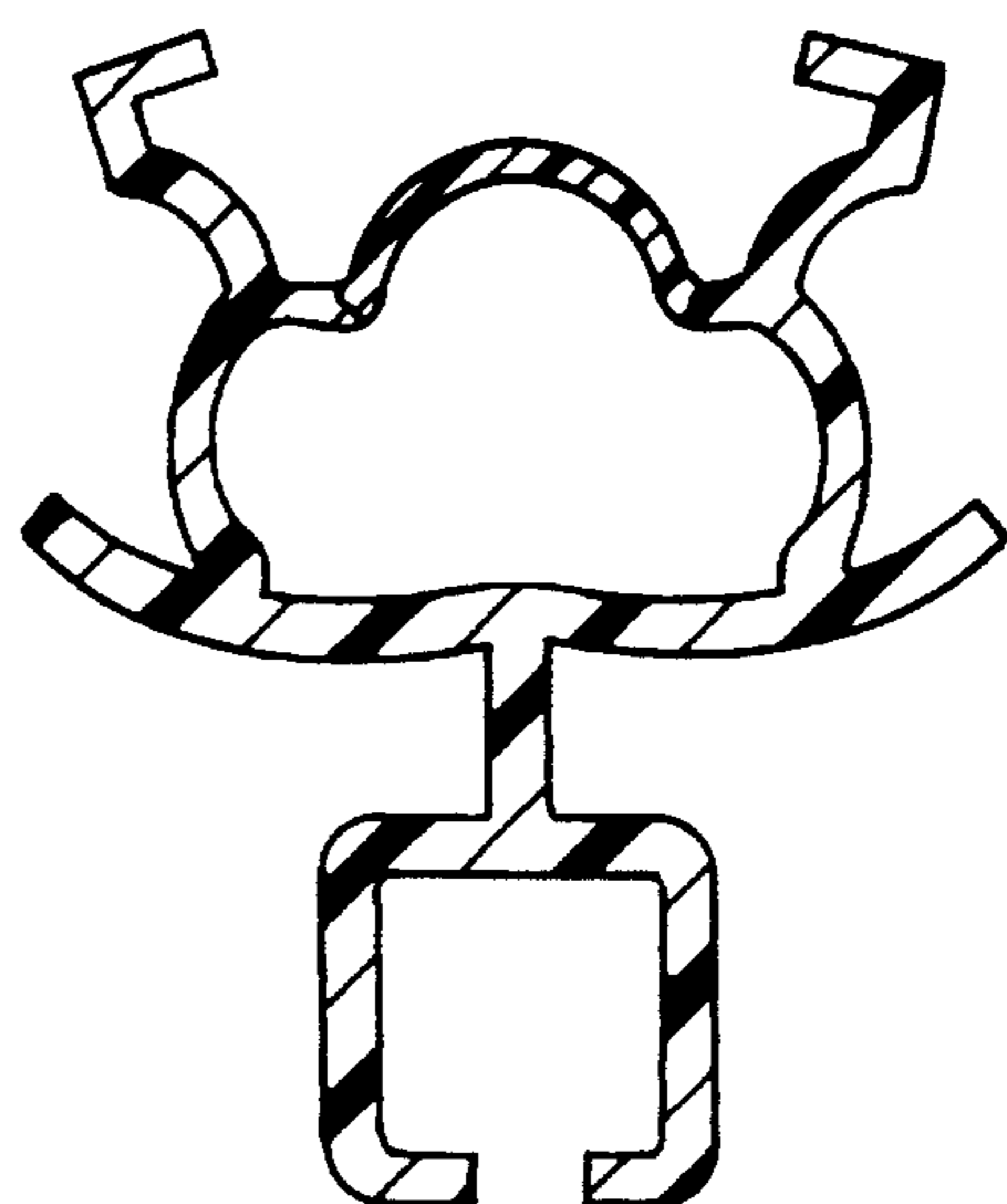


FIG. 21