



US00D372938S

United States Patent [19]

[11] Patent Number: Des. 372,938

Wilson et al.

[45] Date of Patent: **Aug. 20, 1996

[54] ROTARY ORGANIZER

D. 354,081 1/1995 Amcona et al. D19/78
4,934,527 6/1990 Ho 206/224

[75] Inventors: James A. Wilson, North St. Paul;
Jason R. Jacobson, St. Paul; David C.
Windorski, Woodbury, all of Minn.

Primary Examiner—Martie Thompson
Attorney, Agent, or Firm—Gary L. Griswold; Walter N.
Kim; William L. Huebsch

[73] Assignee: Minnesota Mining and
Manufacturing Company, St. Paul,
Minn.

[57] CLAIM

[**] Term: 14 Years

The ornamental design for a rotary organizer, as shown.

[21] Appl. No.: 44,014

DESCRIPTION

[22] Filed: Sep. 15, 1995

[52] U.S. Cl. D19/75; D19/78; D19/69;
D19/85

[58] Field of Search D19/35, 36, 67-69,
D19/65, 77, 78, 81-85, 86, 90, 95, 99,
100; 206/214, 224, 371; 211/10, 11, 45,
50, 69.1-69.9

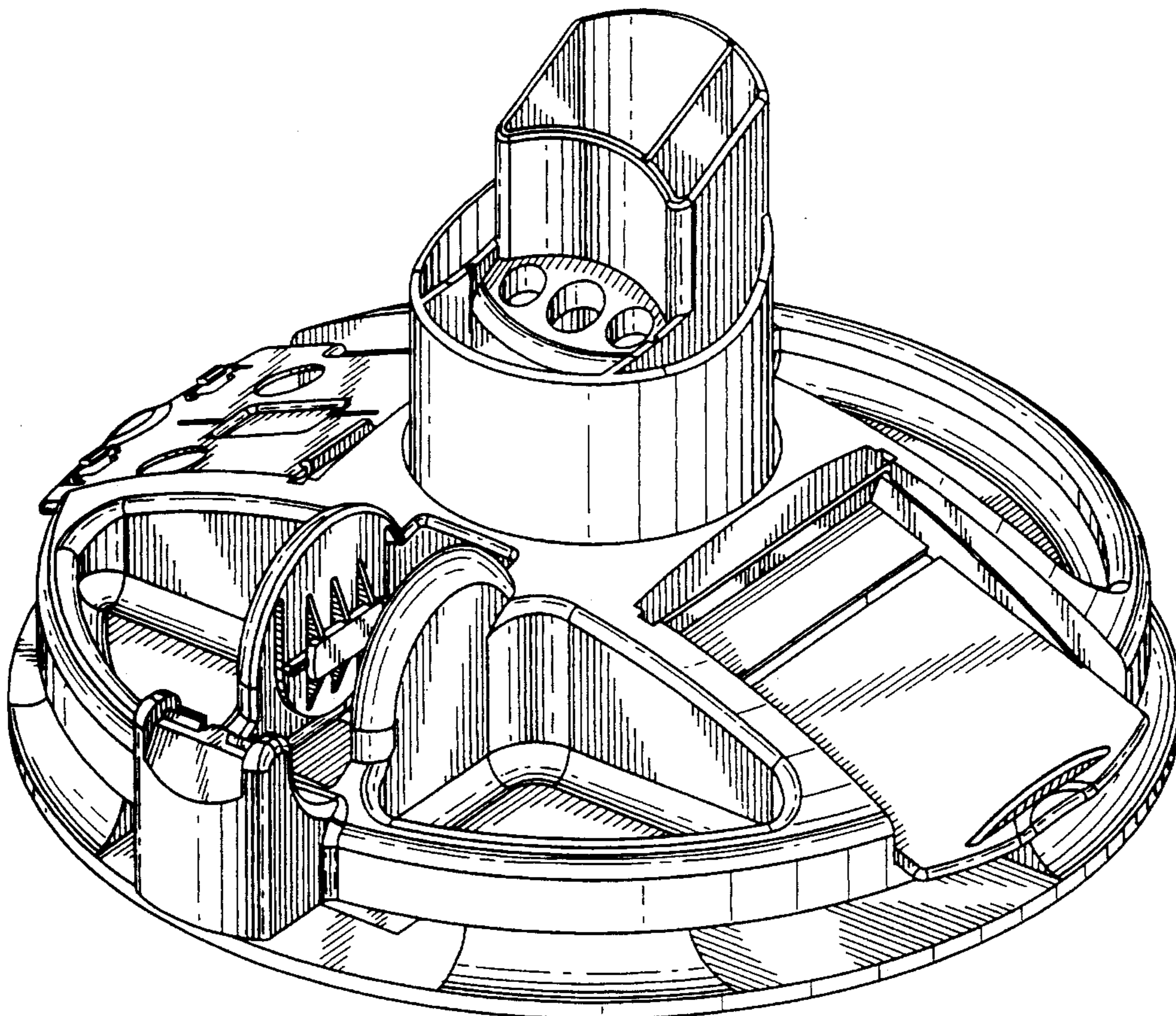
FIG. 1 is a top, right, front isometric view of a rotary organizer showing our new design;
FIG. 2 is a top, right, rear isometric view of the rotary organizer illustrated in FIG. 1;
FIG. 3 is a top plan view of the rotary organizer illustrated in FIG. 1;
FIG. 4 is a bottom plan view of the rotary organizer illustrated in FIG. 1;
FIG. 5 is a front elevational view of the rotary organizer illustrated in FIG. 1;
FIG. 6 is a rear elevational view of the rotary organizer illustrated in FIG. 1;
FIG. 7 is a left side elevational view of the rotary organizer illustrated in FIG. 1; and,
FIG. 8 is a right side elevational view of the rotary organizer illustrated in FIG. 1.

[56] References Cited

U.S. PATENT DOCUMENTS

D. 266,435	10/1982	Laughlin	D19/78 X
D. 279,385	6/1985	Lieberman	D19/85 X
D. 283,630	4/1986	Yuen	D19/85 X
D. 296,568	7/1988	Nadeau	D19/77
D. 321,011	10/1991	Blossom	D19/78
D. 329,359	9/1992	Eggen	D19/77 X

1 Claim, 8 Drawing Sheets



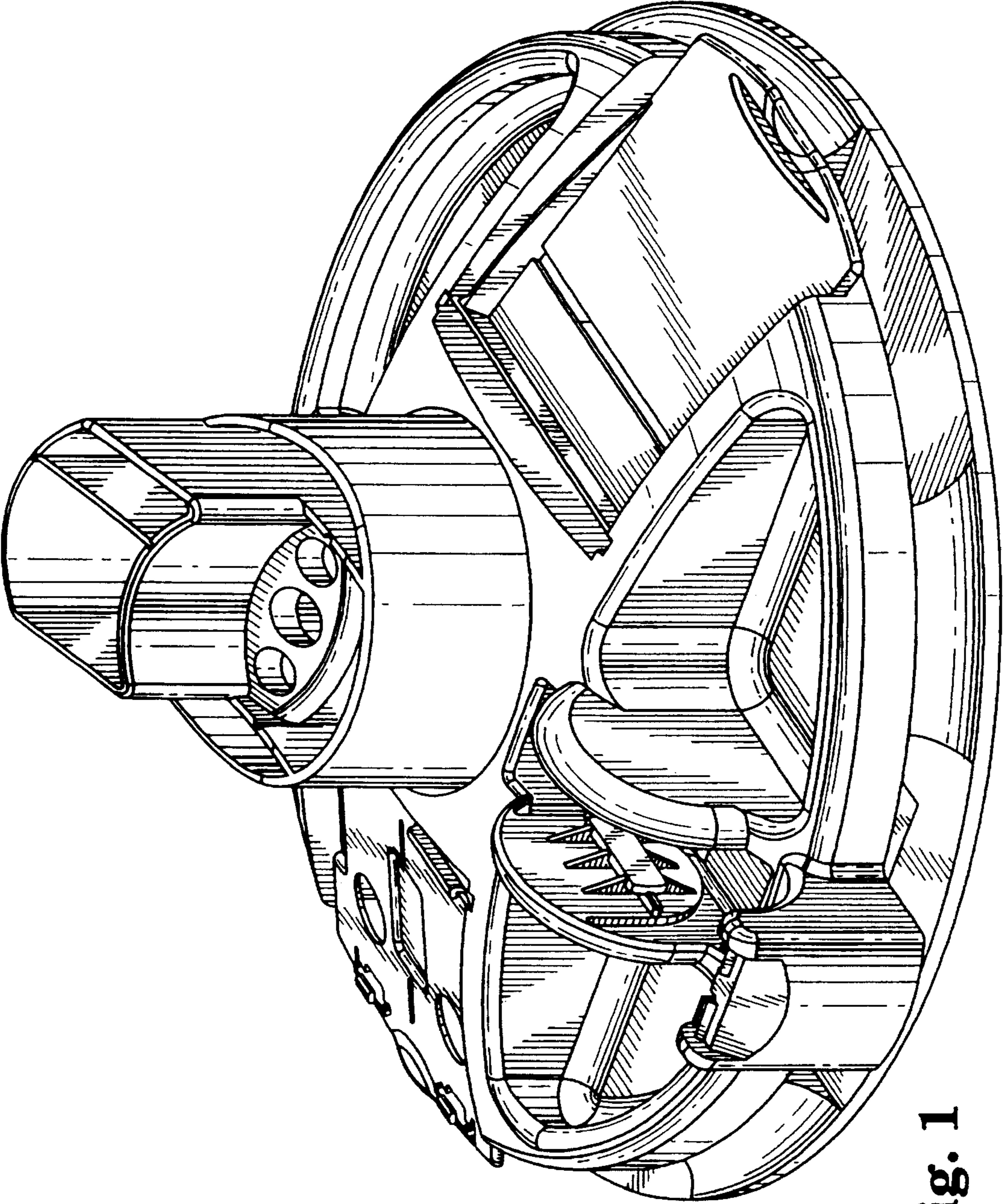


Fig. 1

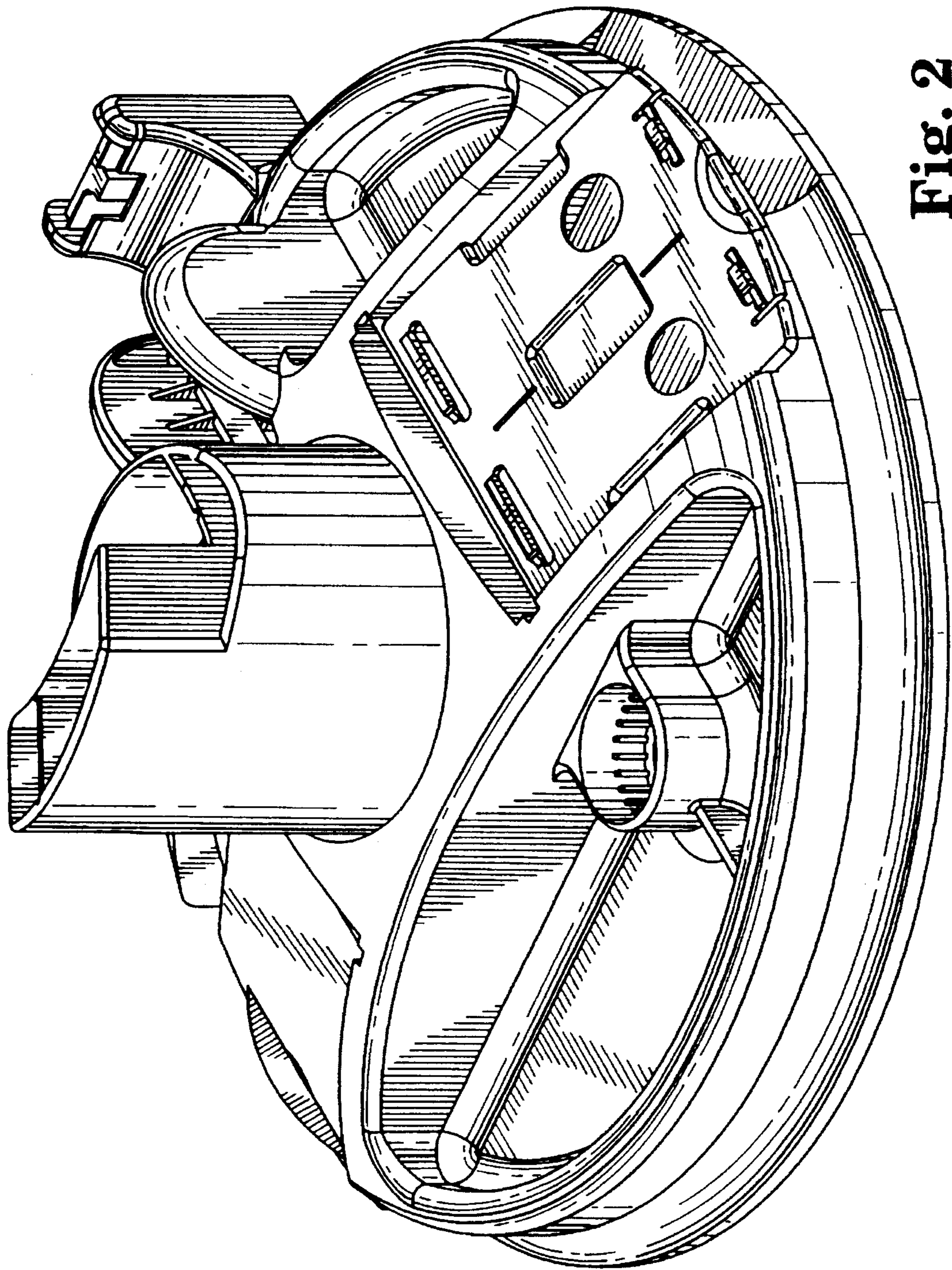


Fig. 2

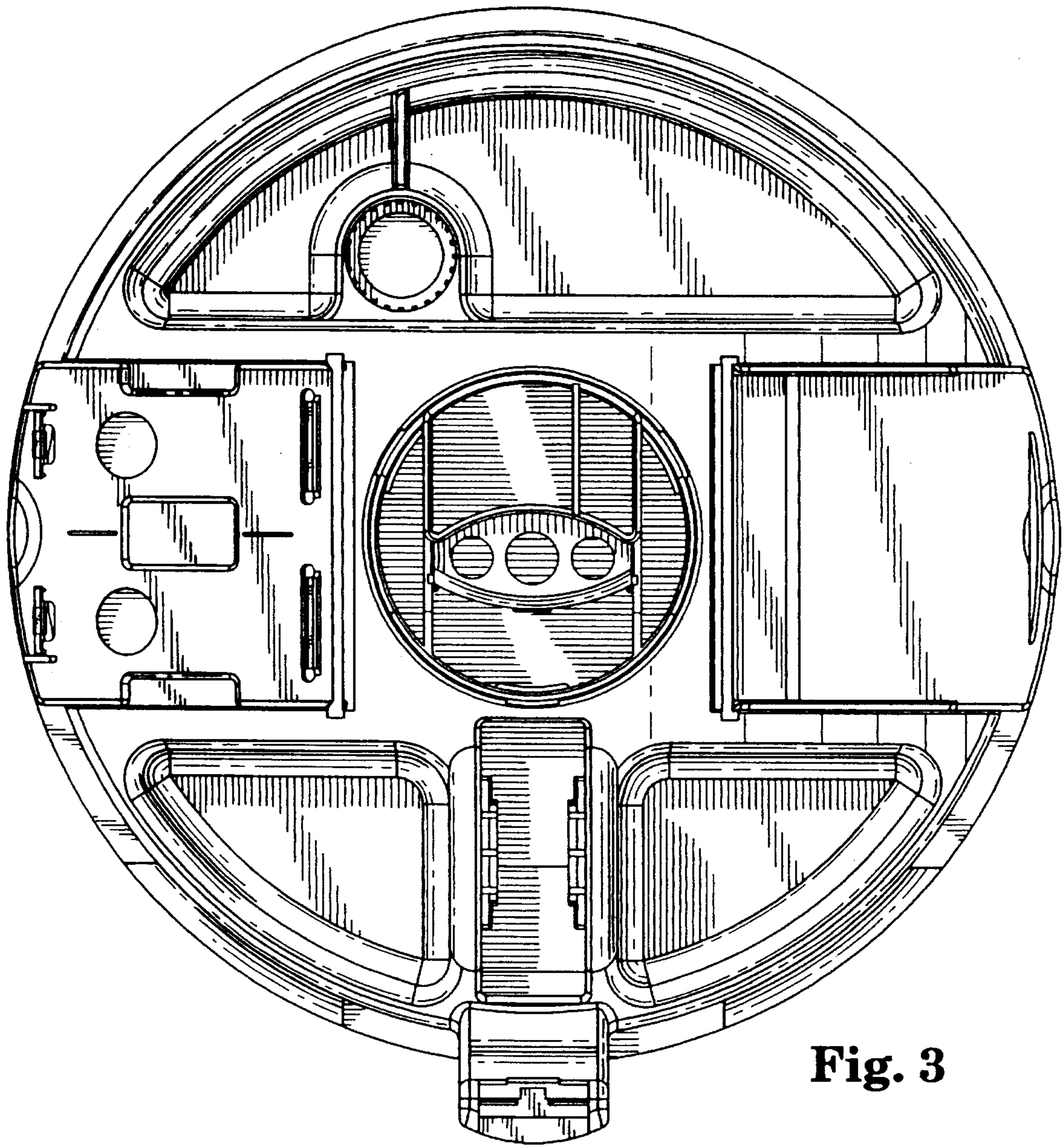


Fig. 3

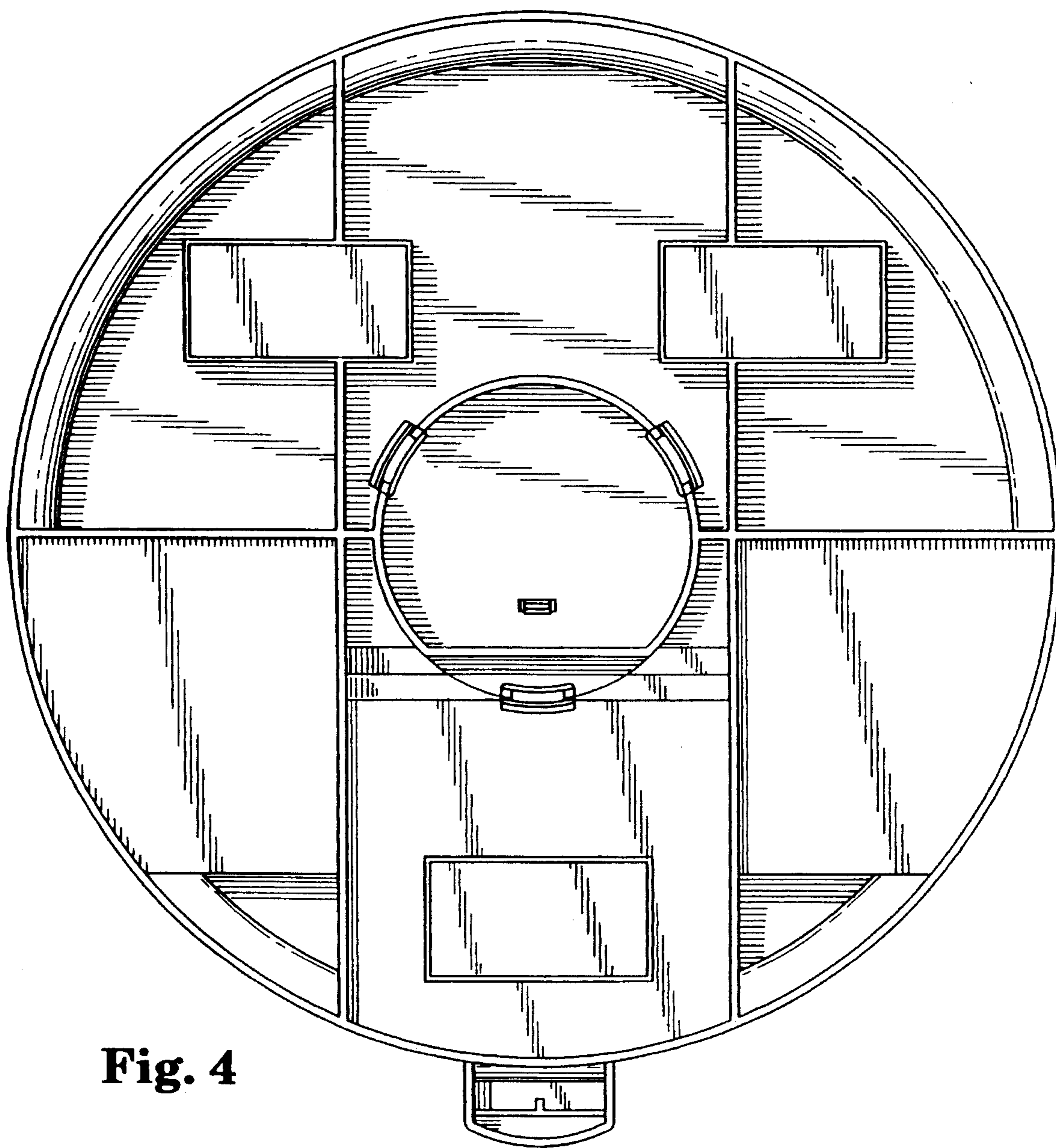


Fig. 4

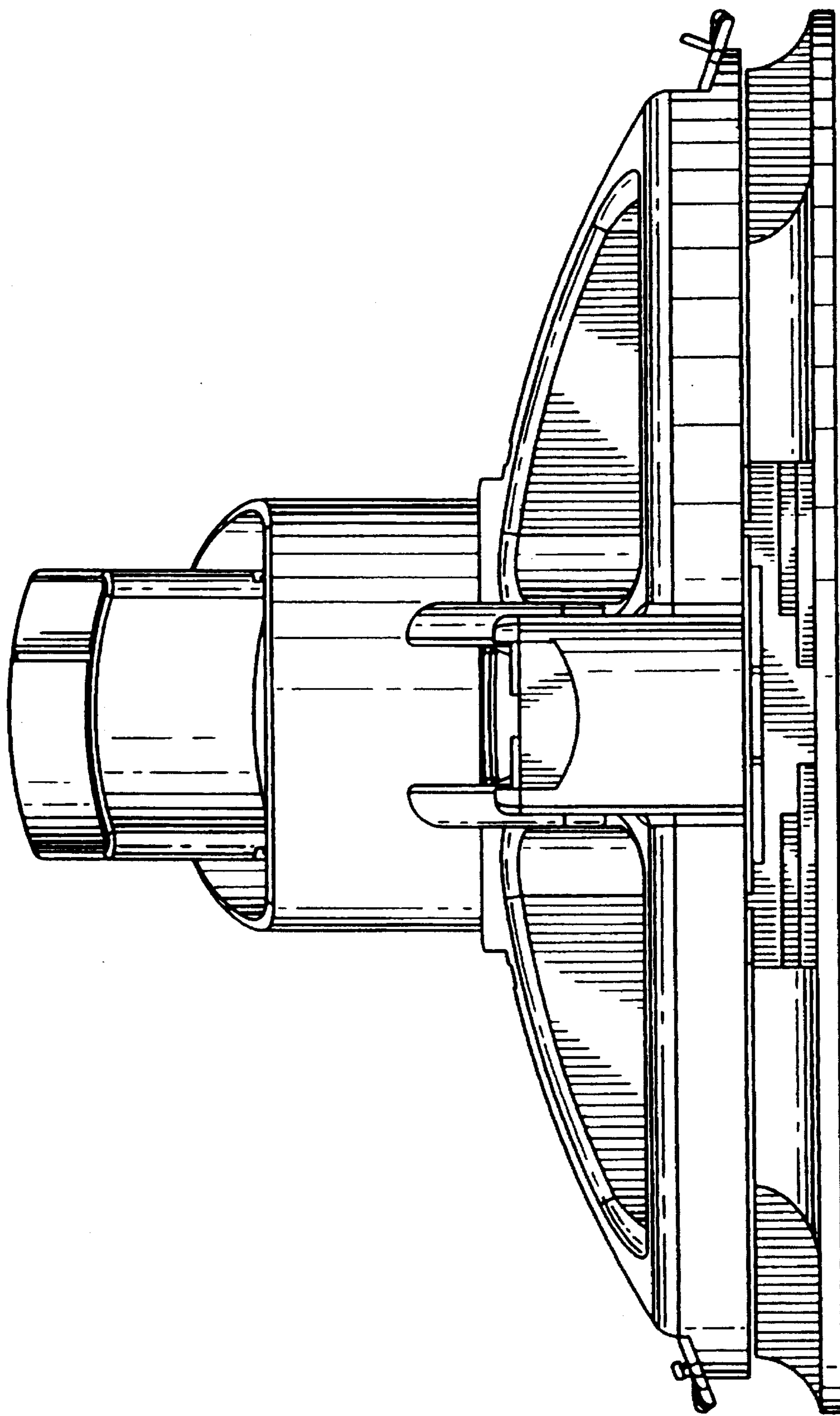


Fig. 5

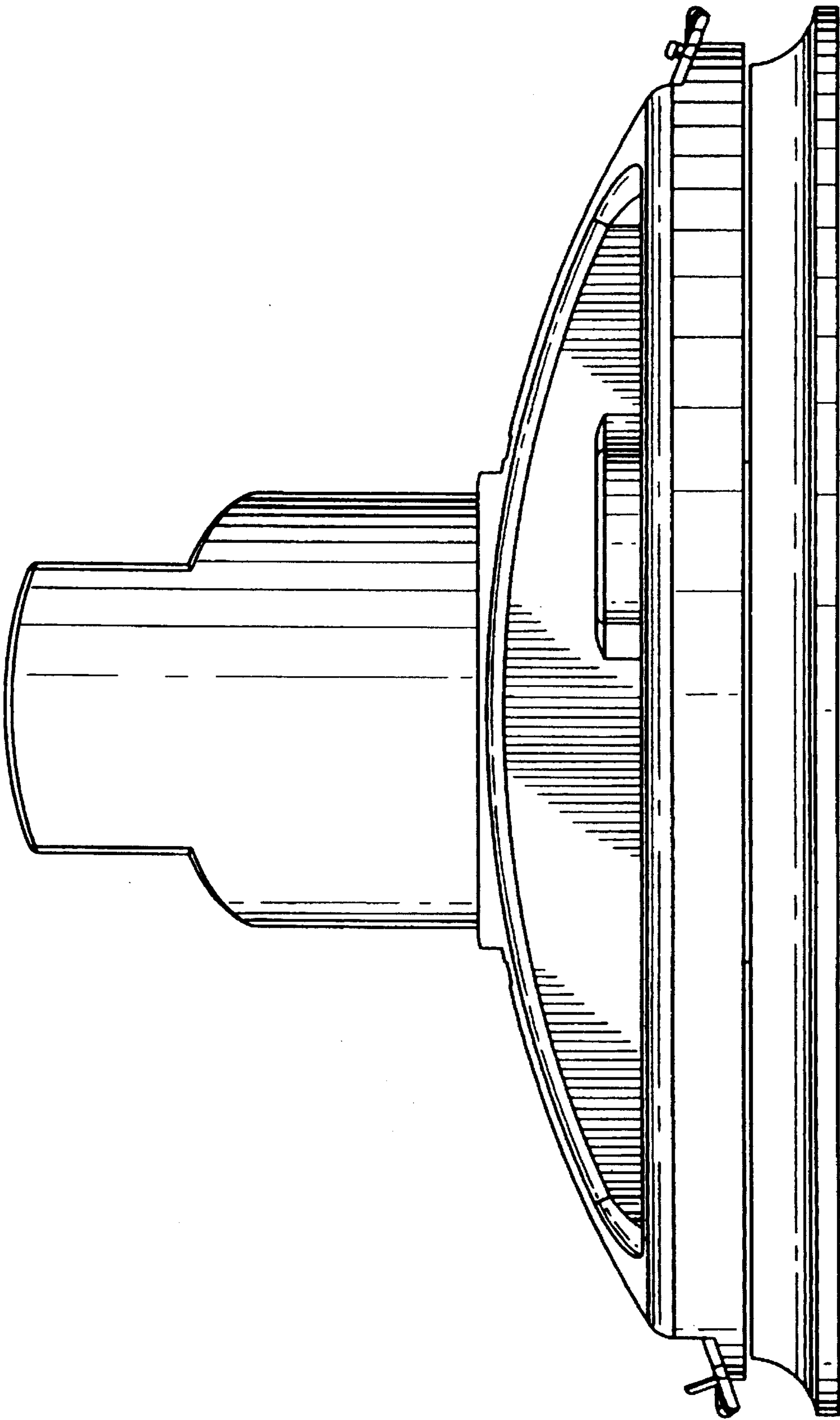


Fig. 6

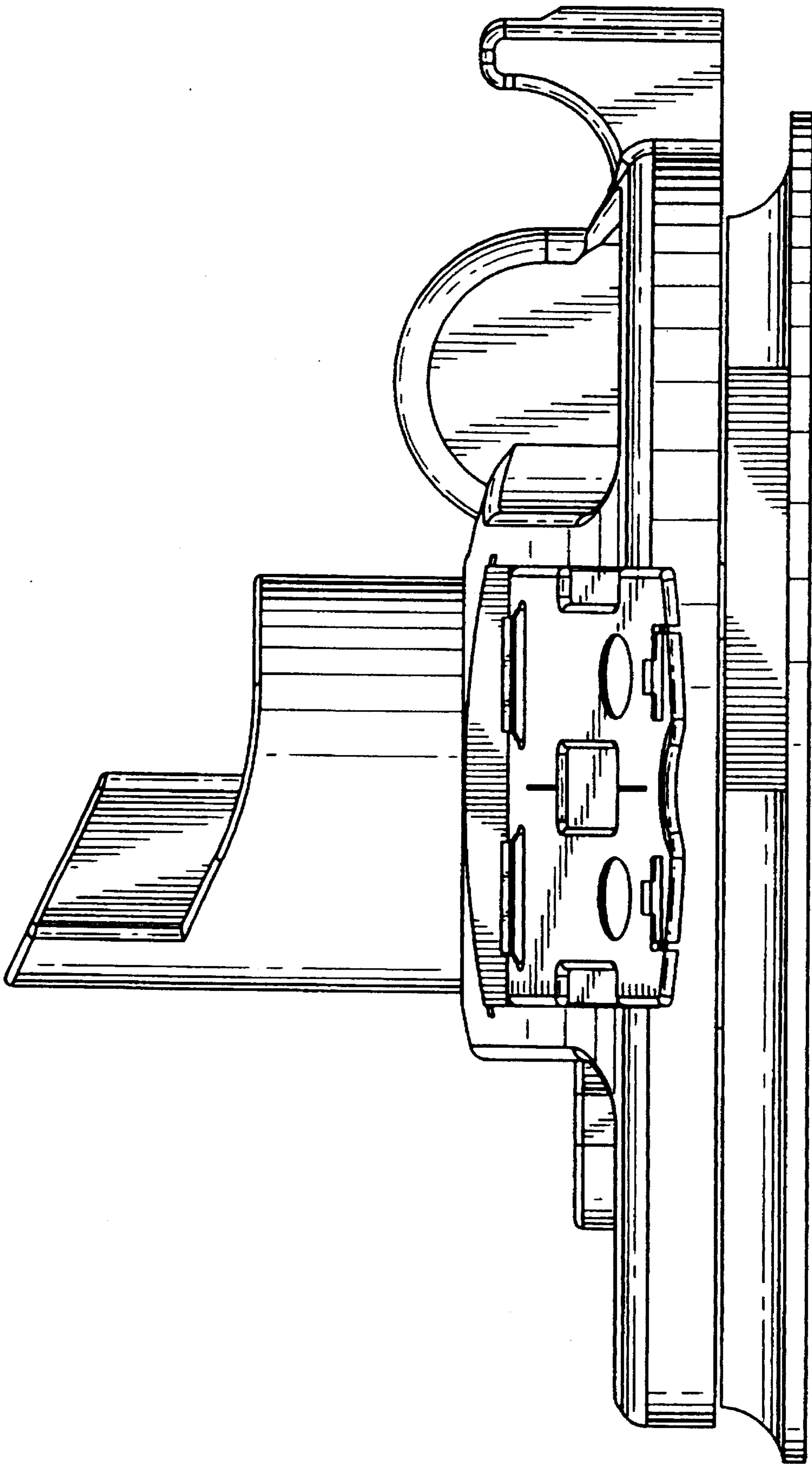


Fig. 7

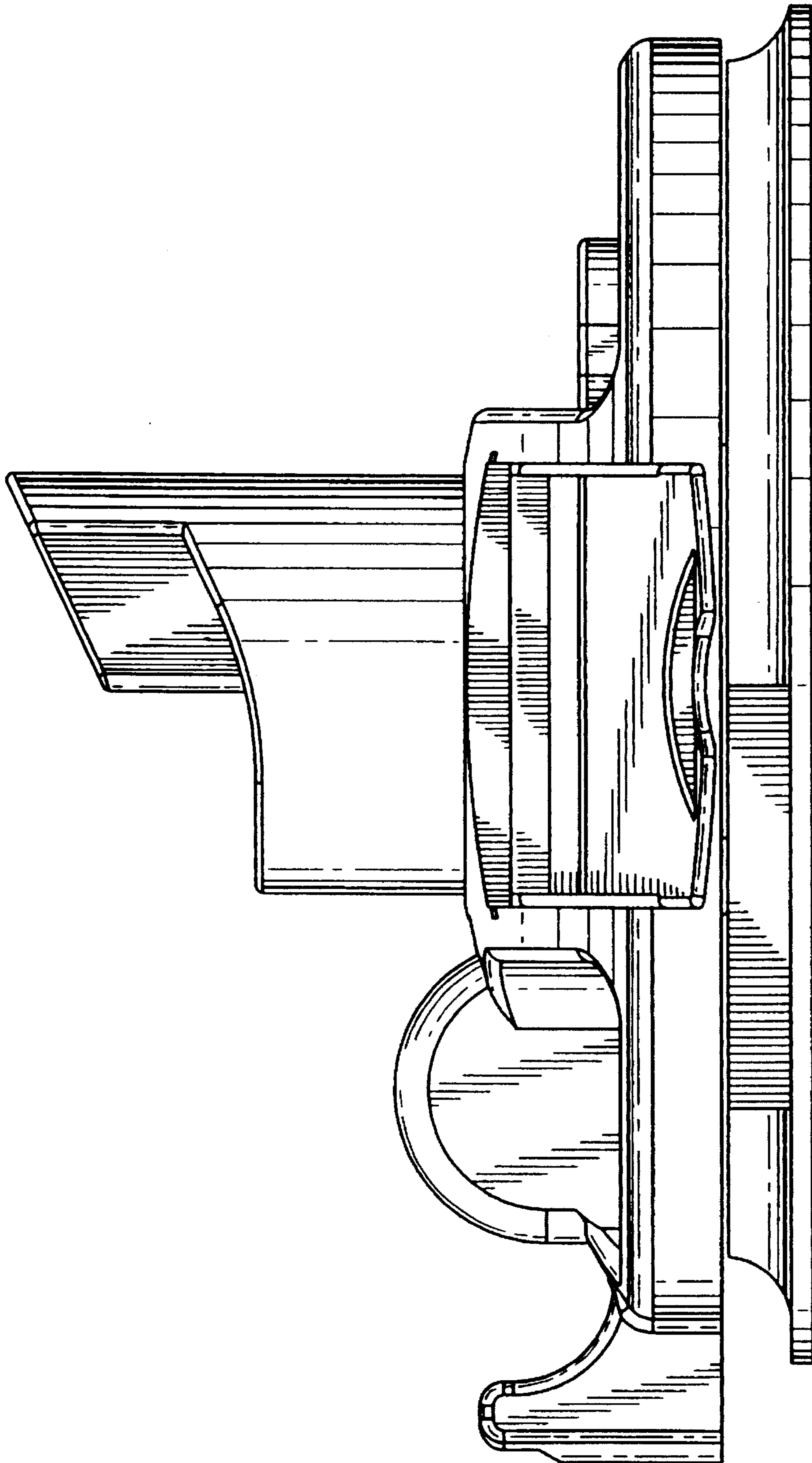


Fig. 8