



US00D372936S

# United States Patent [19]

[11] Patent Number: **Des. 372,936**

**Droege et al.**

[45] Date of Patent: **\*\*Aug. 20, 1996**

[54] **CONTROL UNIT WITH A PRINTER**

[75] Inventors: **Harmut Droege**, Stuttgart; **Ludwig Fischer**, Herrenberg; **Wolfgang Fischer**, Boeblingen; **Walter Hinz**, Garching; **Tayssir Scheib**, Schondorf; **Dieter Sonnentag**, Schoenaich, all of Germany

[73] Assignee: **IBM Corporation**, Armonk, N.Y.

[\*\*] Term: **14 Years**

[21] Appl. No.: **39,198**

[22] Filed: **May 23, 1995**

[30] **Foreign Application Priority Data**

Dec. 8, 1994 [DE] Germany ..... M 94 09 514.0

[52] U.S. Cl. .... **D18/54**; 400/679; 400/692

[58] Field of Search ..... D18/56, 54, 50, D18/53, 37, 38, 39; D14/118; 400/690-694, 613, 613.1, 613.2, 613.3, 613.4, 690.1-690.2, 690.3, 690.4; 355/309, 200, 305

[56] **References Cited**

**U.S. PATENT DOCUMENTS**

- D. 220,188 3/1971 Kalvitis ..... D18/54
- D. 263,397 3/1982 Vierling et al. .... D18/54
- D. 264,978 6/1982 Ohno ..... D18/54
- D. 290,258 6/1987 Weisz et al. .... D18/54

- D. 304,457 11/1989 Tsukada ..... D18/54
- D. 343,410 1/1994 Sekiguchi ..... D18/50
- 4,706,096 11/1987 Sato ..... D18/55
- 4,734,710 3/1988 Sato et al. .... 400/692 X
- 4,840,344 6/1989 Moroe ..... 400/691 X

**FOREIGN PATENT DOCUMENTS**

- 406008572 1/1994 Japan ..... 400/679
- 406166229 6/1994 Japan ..... 400/613

**OTHER PUBLICATIONS**

Epson EHT-30 Hand Held Computer Brochure Oct. 1993.

*Primary Examiner*—Louis S. Zarfaz  
*Assistant Examiner*—Frank Martinez  
*Attorney, Agent, or Firm*—Jeanine S. Ray-Yarletts

[57] **CLAIM**

The ornamental design for a control unit with a printer, as shown and described.

**DESCRIPTION**

FIG. 1 shows a perspective front and right side view; FIG. 2 shows a left side view; FIG. 3 shows a right side view; FIG. 4 shows a top view; FIG. 5 shows a bottom view; FIG. 6 shows a rear view; and, FIG. 7 shows a front view.

**1 Claim, 6 Drawing Sheets**

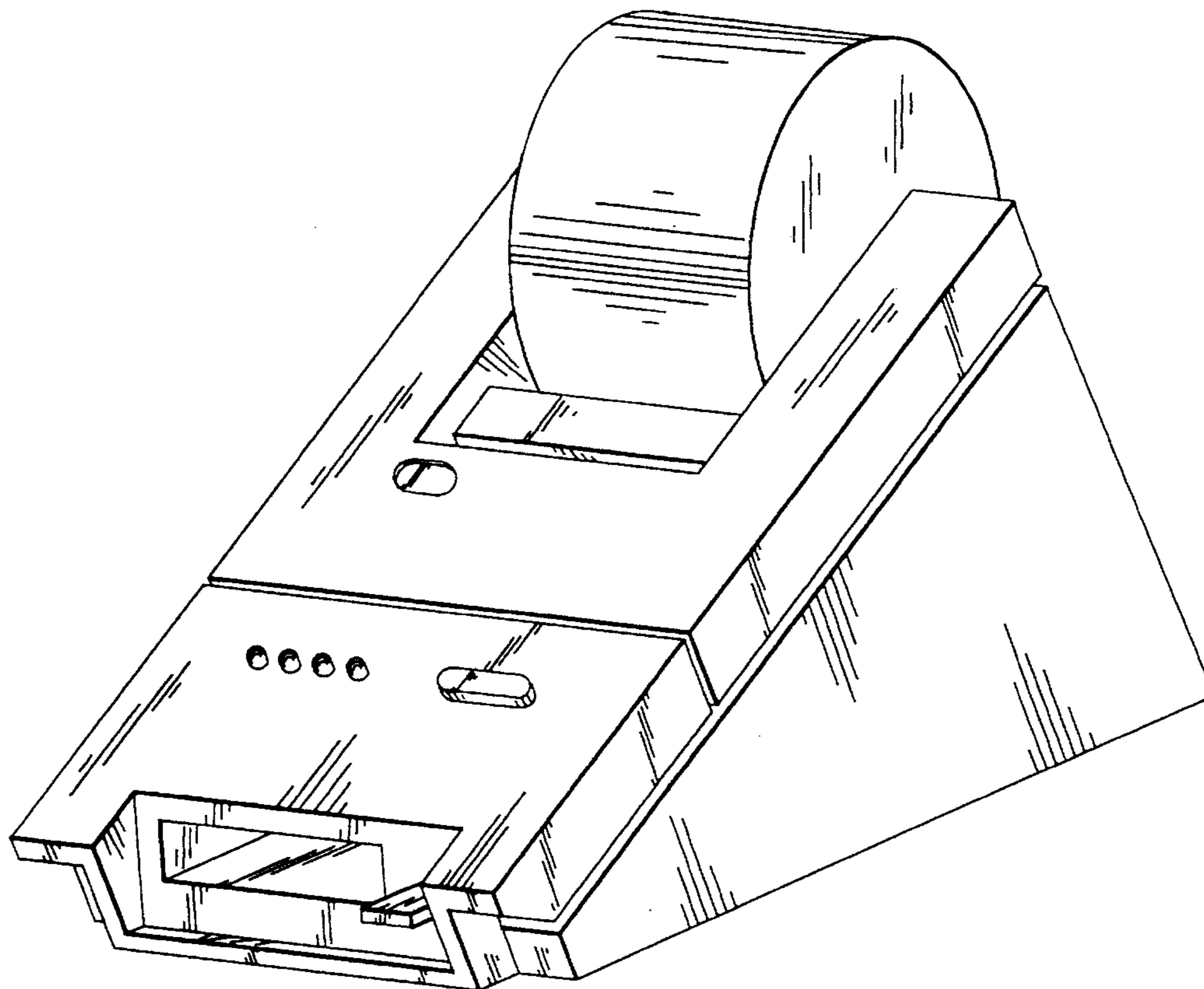


FIG. 1

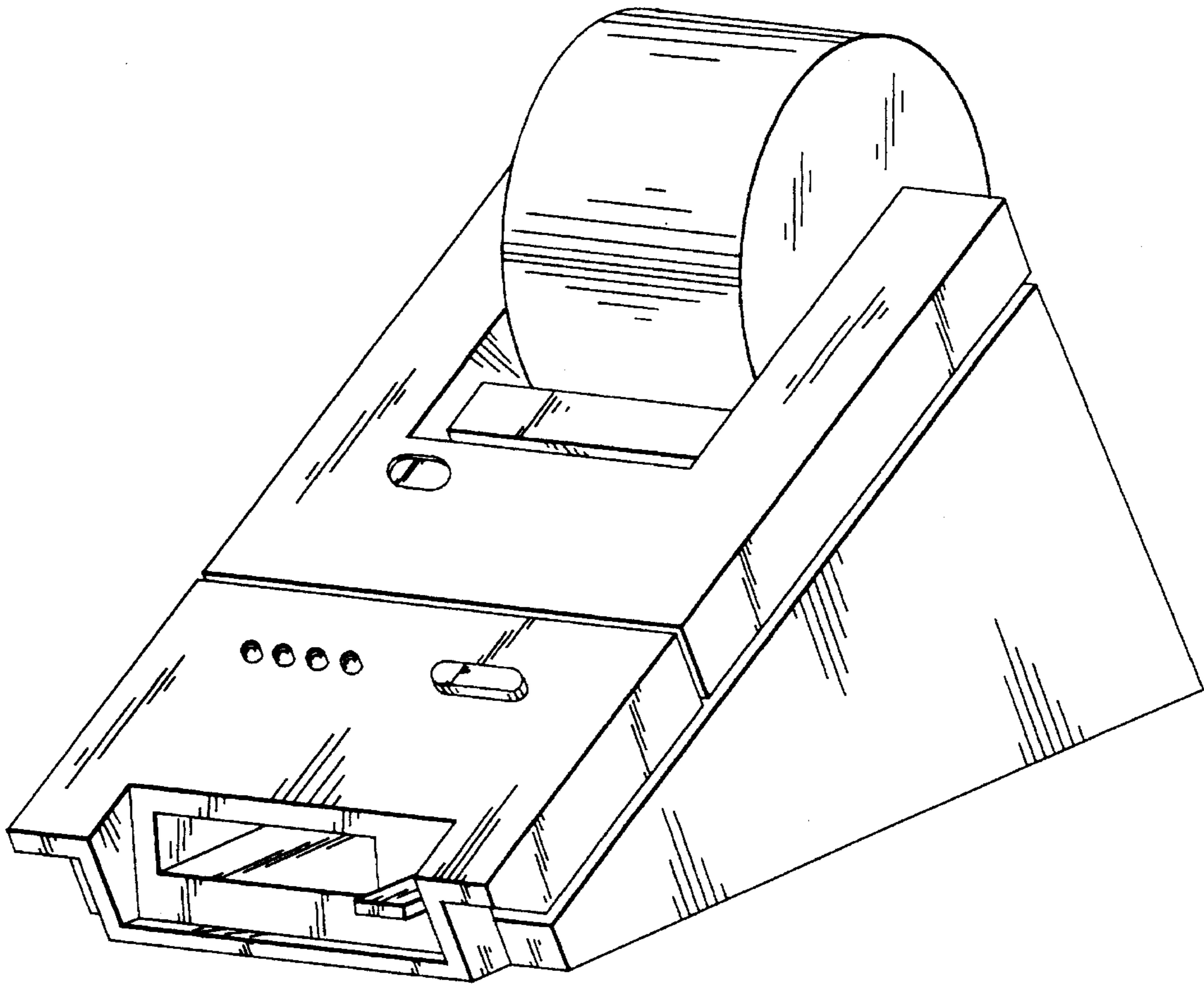


FIG. 2

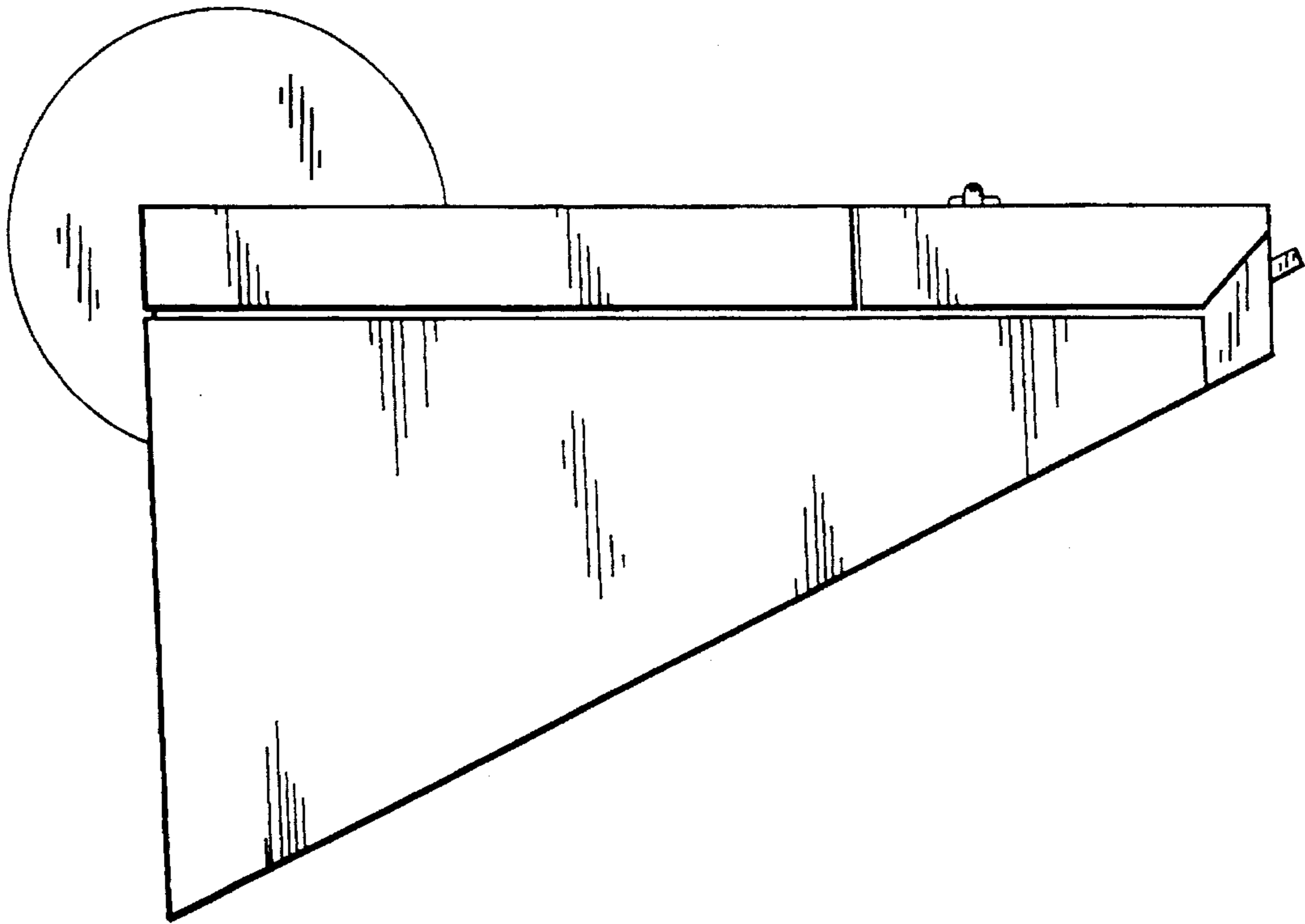


FIG. 3

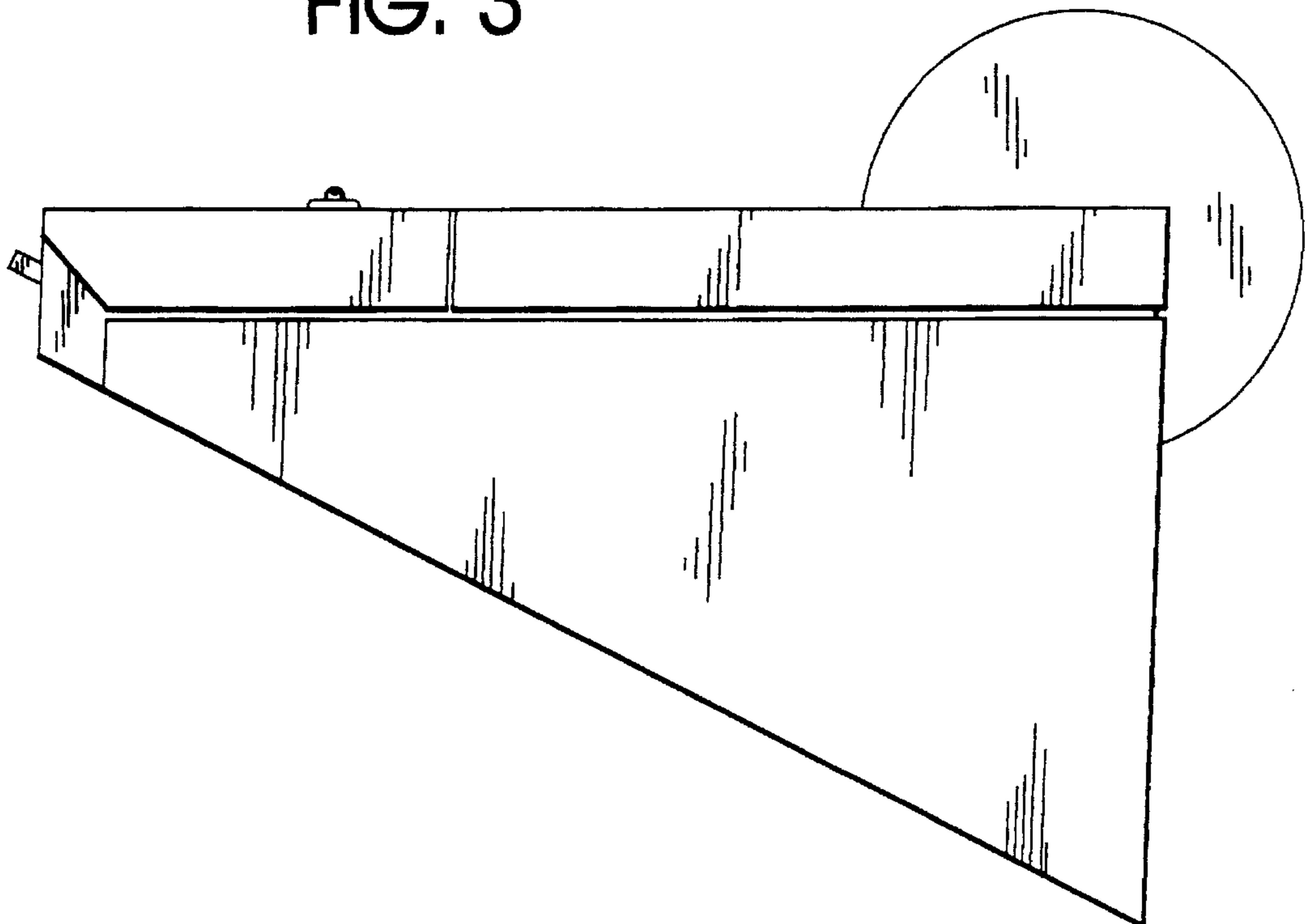


FIG. 4

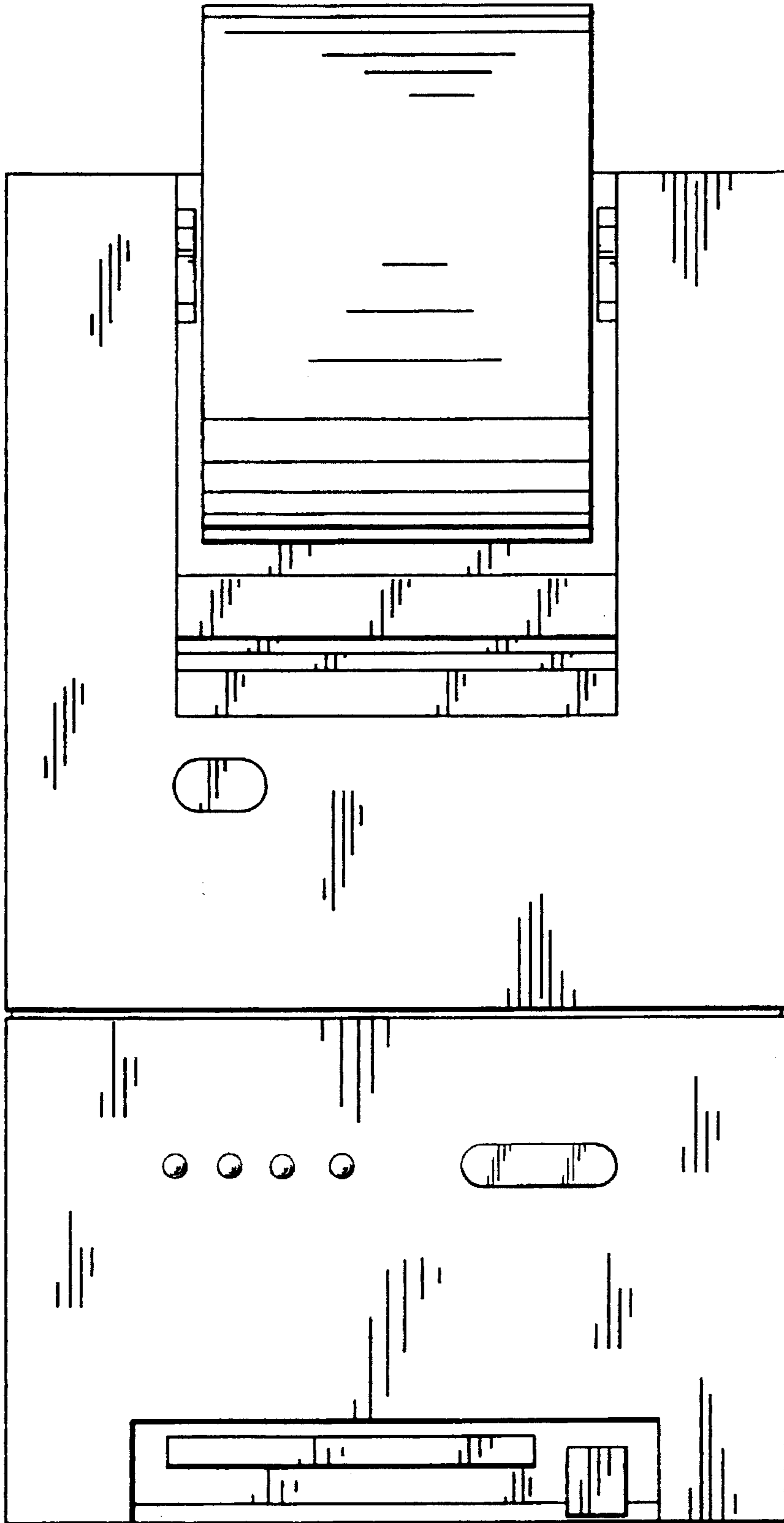


FIG. 5

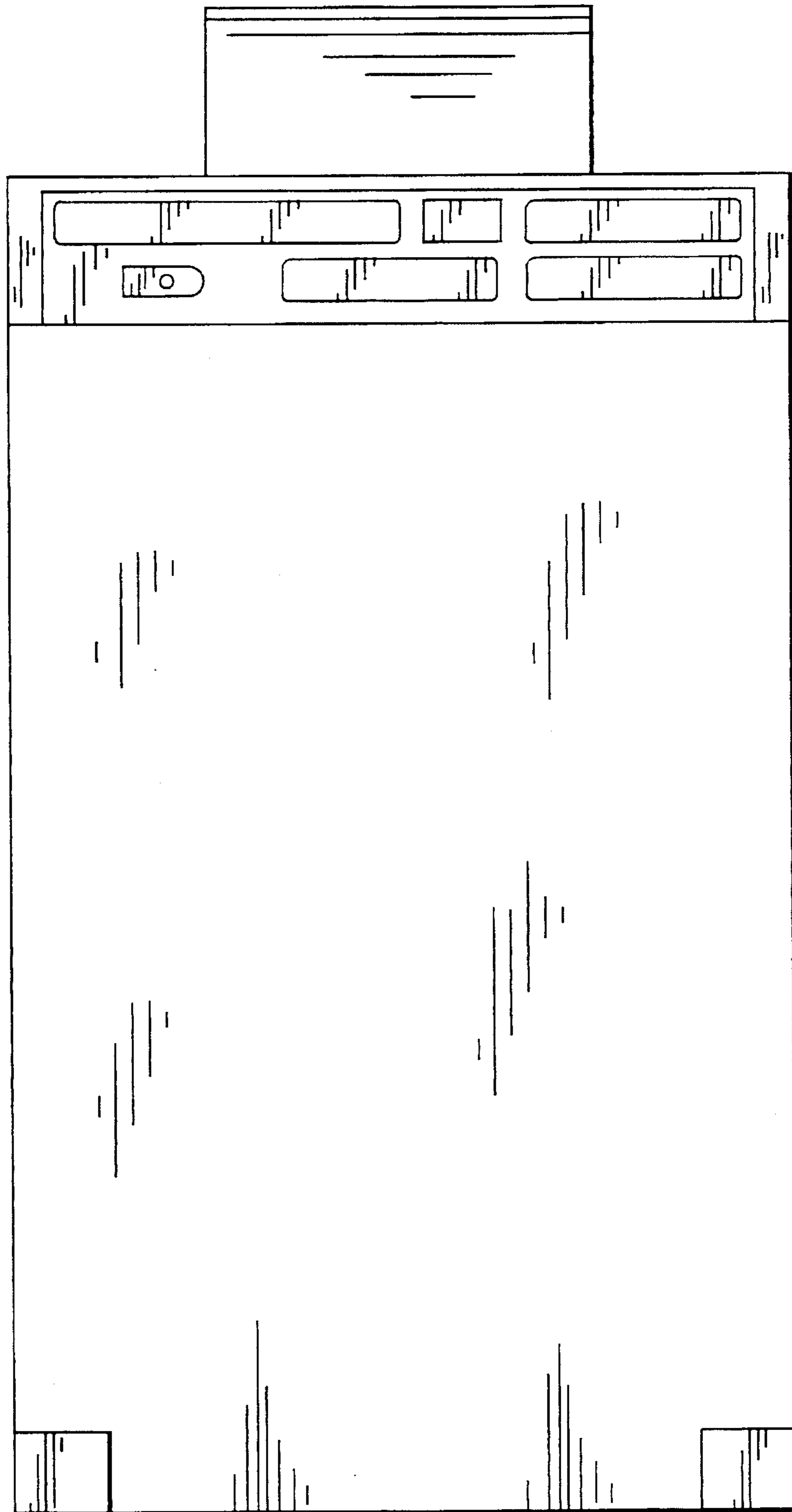


FIG. 6

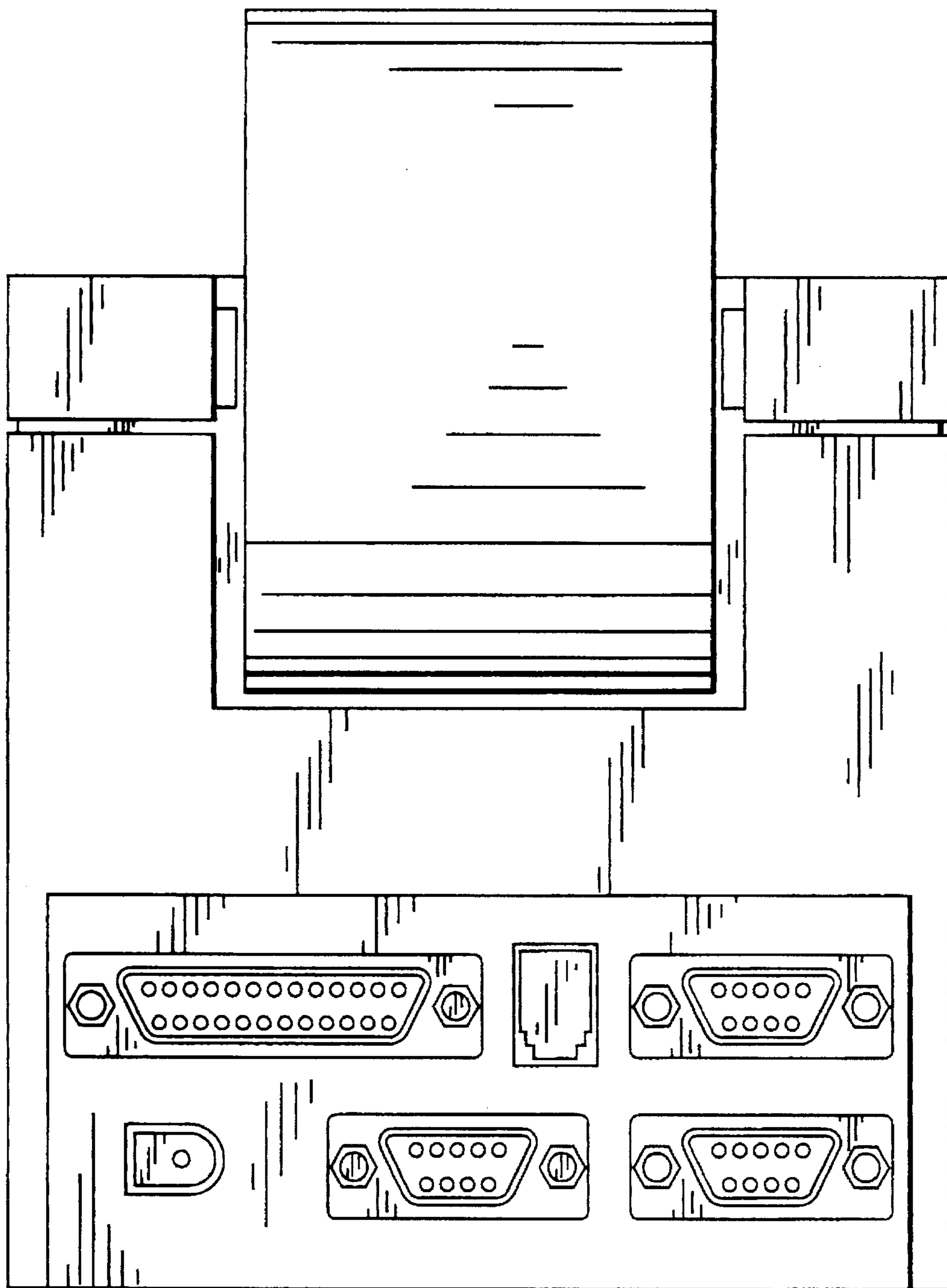


FIG. 7

