



US00D372933S

**United States Patent** [19]  
**Winston**

[11] **Patent Number: Des. 372,933**  
[45] **Date of Patent: \*\*Aug. 20, 1996**

[54] **STAMP PAD AND CONTAINER COMBINATION**

[76] Inventor: **Jeffrey M. Winston**, 658 W. Shore Dr., Anacortes, Wash. 98221

[\*\*] Term: **14 Years**

[21] Appl. No.: **30,525**

[22] Filed: **Nov. 1, 1994**

**Related U.S. Application Data**

[63] Continuation-in-part of Ser. No. 258,468, Jun. 10, 1994.

[52] U.S. Cl. .... **D18/17**

[58] **Field of Search** ..... D18/14, 15, 17, D18/18; D19/65, 70; 101/327, 368, 405, 406, 333, 334, 335; 118/248, 258, 264, 268, 269, 270

[56] **References Cited**

**U.S. PATENT DOCUMENTS**

D. 280,450 9/1985 Schefer ..... D28/78  
D. 331,418 12/1992 Winston .  
2,374,198 4/1945 Harris ..... 118/270

**OTHER PUBLICATIONS**

Clearsnap Inc., see page 44 circled stamp pad #19001, upper left.

Stamp Products Resource Book 1994-1995, Clearsnap, Inc., Anacortes, WA, pp. 48 and 50.

*Primary Examiner*—Martie Thompson

*Attorney, Agent, or Firm*—Hughes, Multer & Schacht, P.S.

[57] **CLAIM**

The ornamental design for a stamp pad and container combination, as shown and described.

**DESCRIPTION**

FIG. 1 is an isometric view of a first embodiment of a stamp pad and container combination showing my new design; FIG. 2 is a top plan view of a first embodiment thereof; FIG. 3 is a side elevational view of a first embodiment thereof, the opposite side being identical; FIG. 4 is an end elevational view of a first embodiment thereof, the opposite end being identical; FIG. 5 is a bottom plan view of a first embodiment thereof; FIG. 6 is an isometric view of a second embodiment of a stamp pad and container combination showing my new design; FIG. 7 is a top plan view of a second embodiment thereof; FIG. 8 is a side elevational view of a second embodiment thereof, the opposite side being identical; FIG. 9 is an end elevational view of a second embodiment thereof, the opposite end being identical; FIG. 10 is a bottom plan view of a second embodiment thereof; FIG. 11 is an isometric view of a third embodiment of a stamp pad and container combination showing my new design; FIG. 12 is a top plan view of a third embodiment thereof; FIG. 13 is a side elevational view of a third embodiment thereof, the opposite side being identical; FIG. 14 is an end elevational view of a third embodiment thereof, the opposite end being identical; and, FIG. 15 is a bottom plan view of a third embodiment thereof.

**1 Claim, 6 Drawing Sheets**

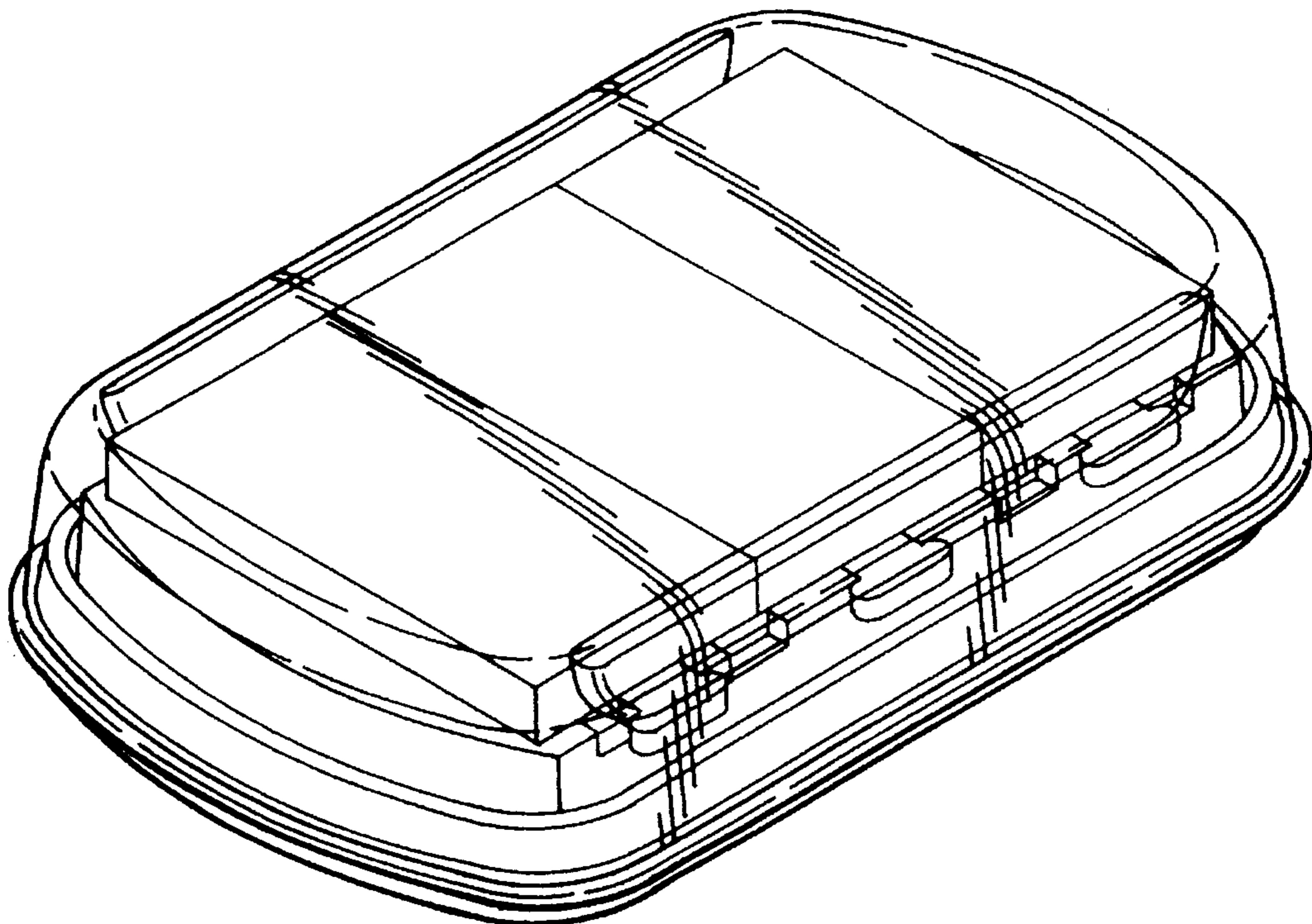


FIG. 1

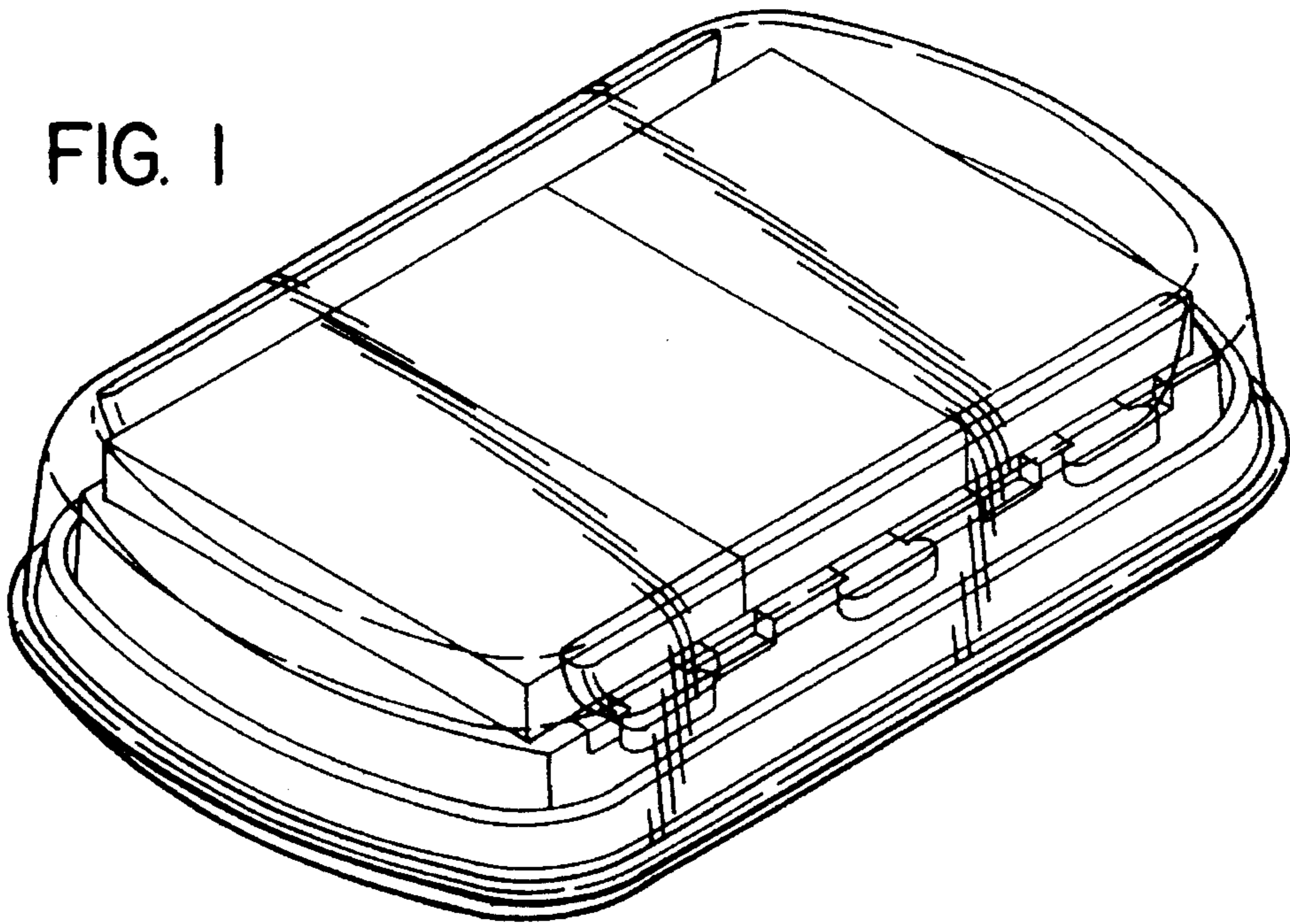


FIG. 2

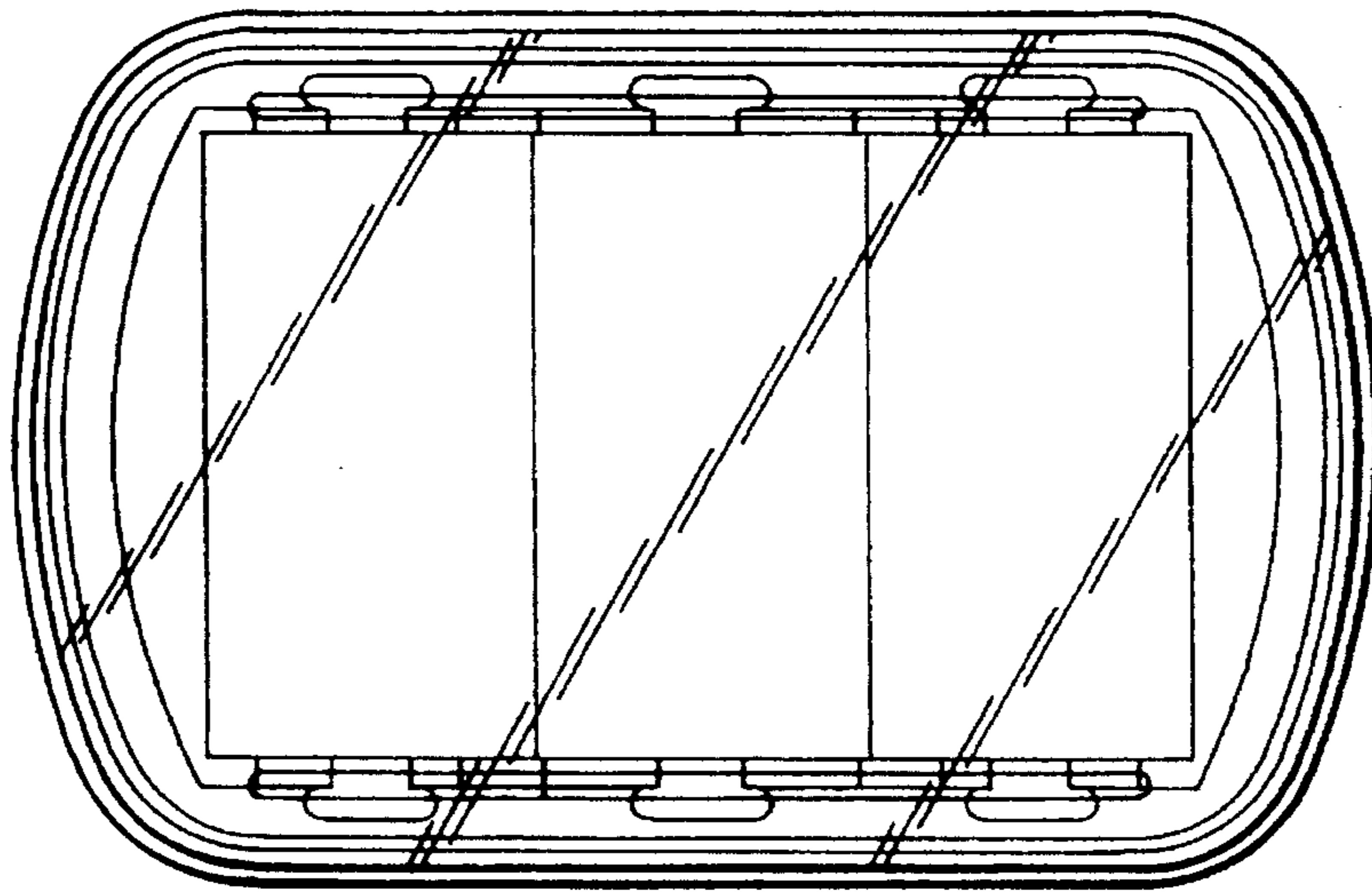


FIG. 3

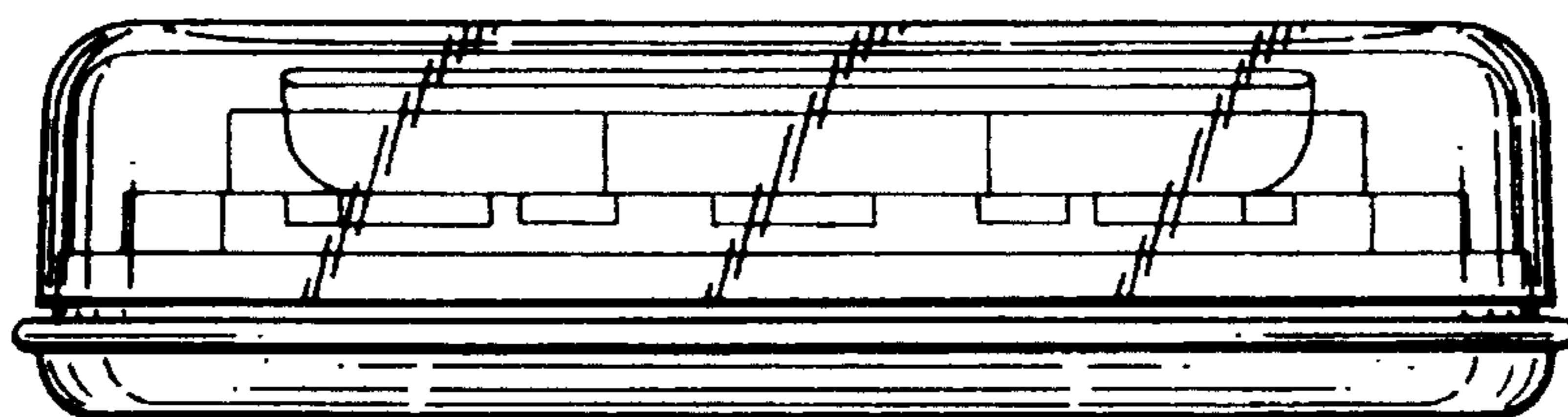


FIG. 4

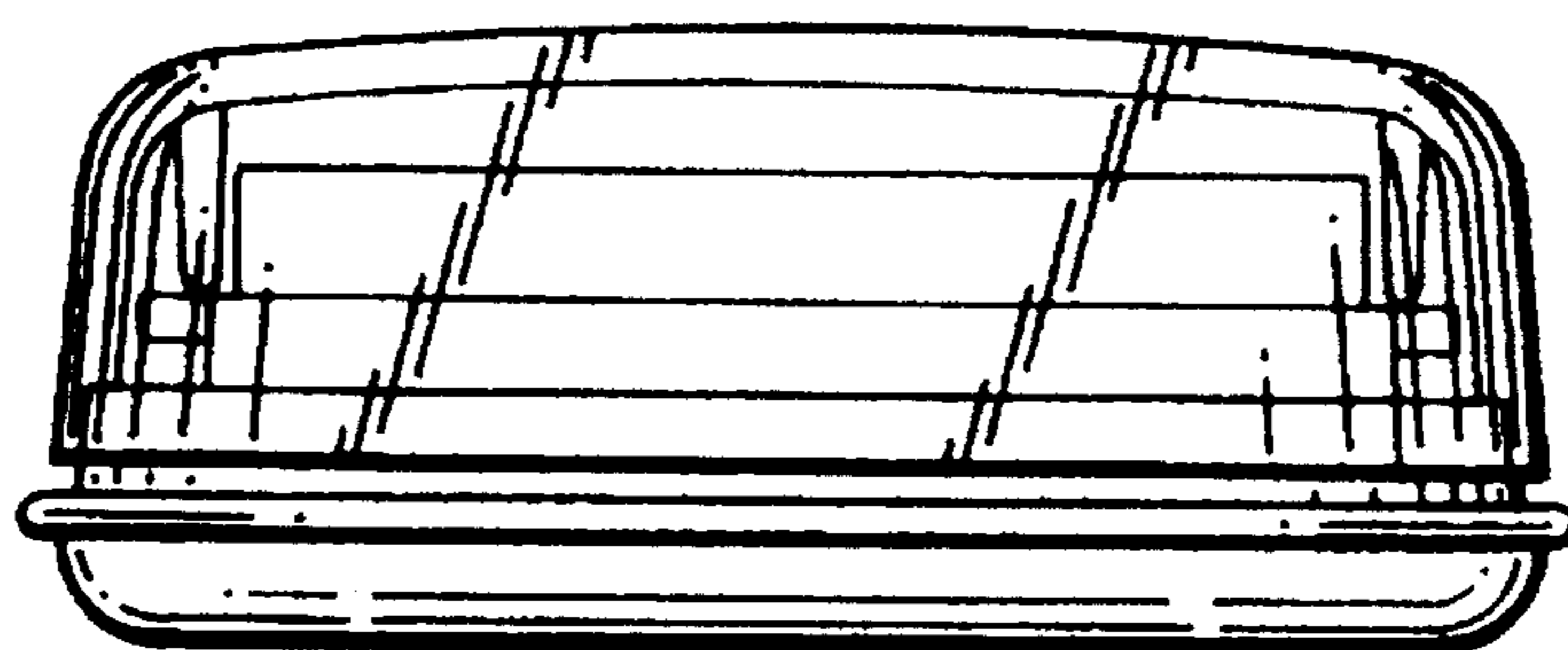


FIG. 5

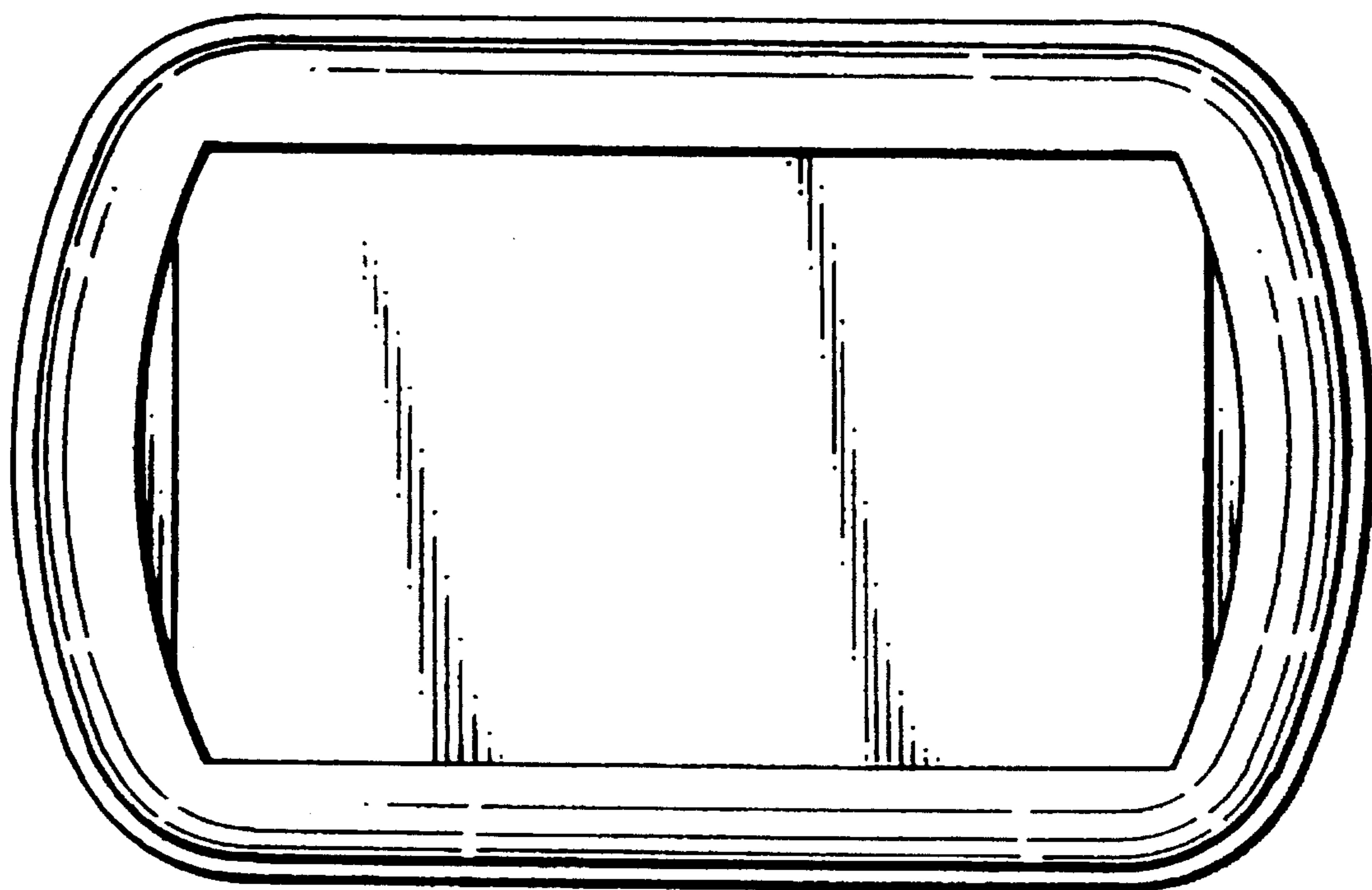


FIG. 6

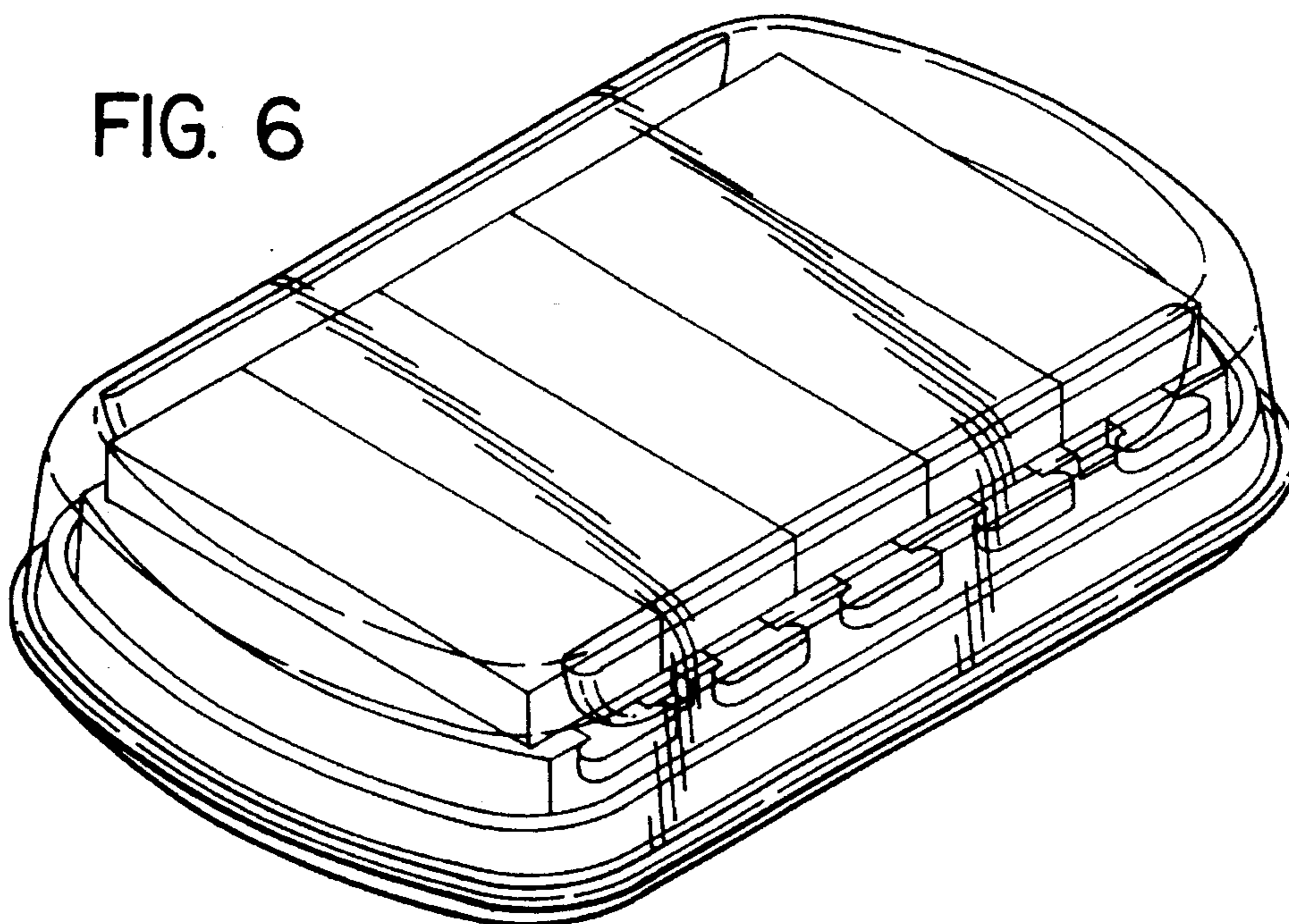


FIG. 7

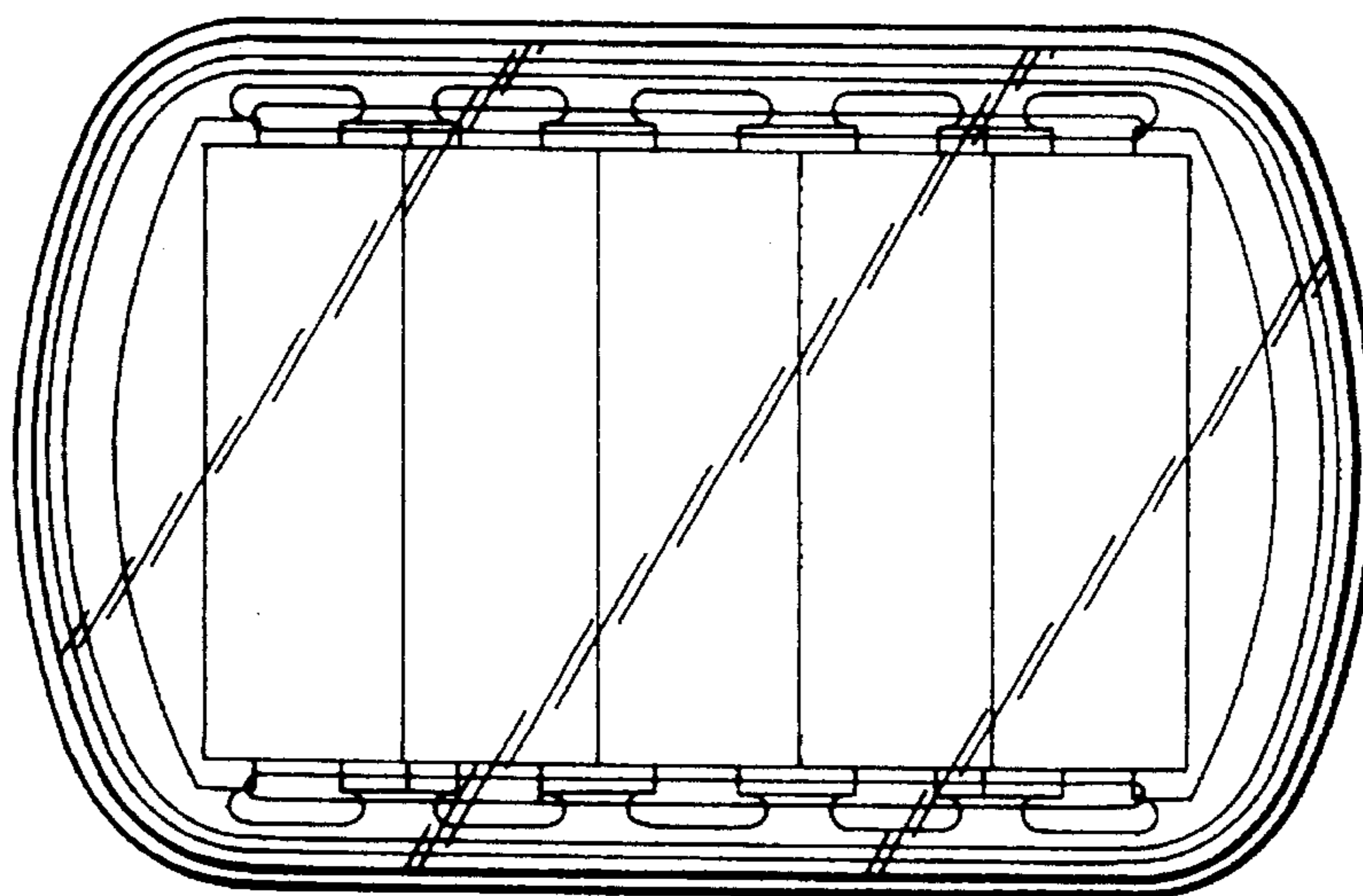


FIG. 8

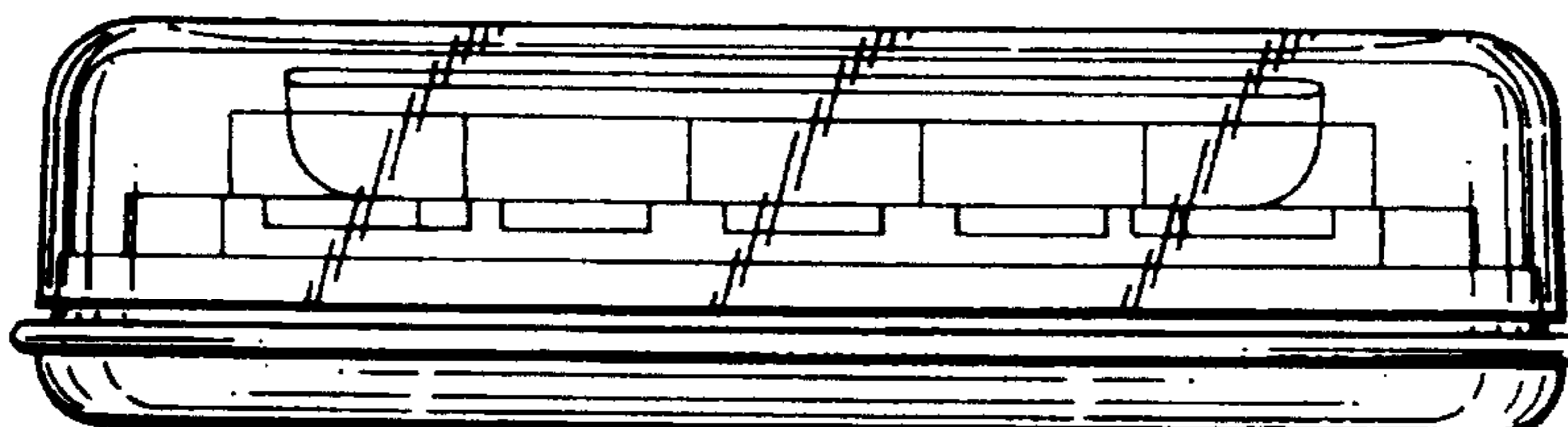


FIG. 9

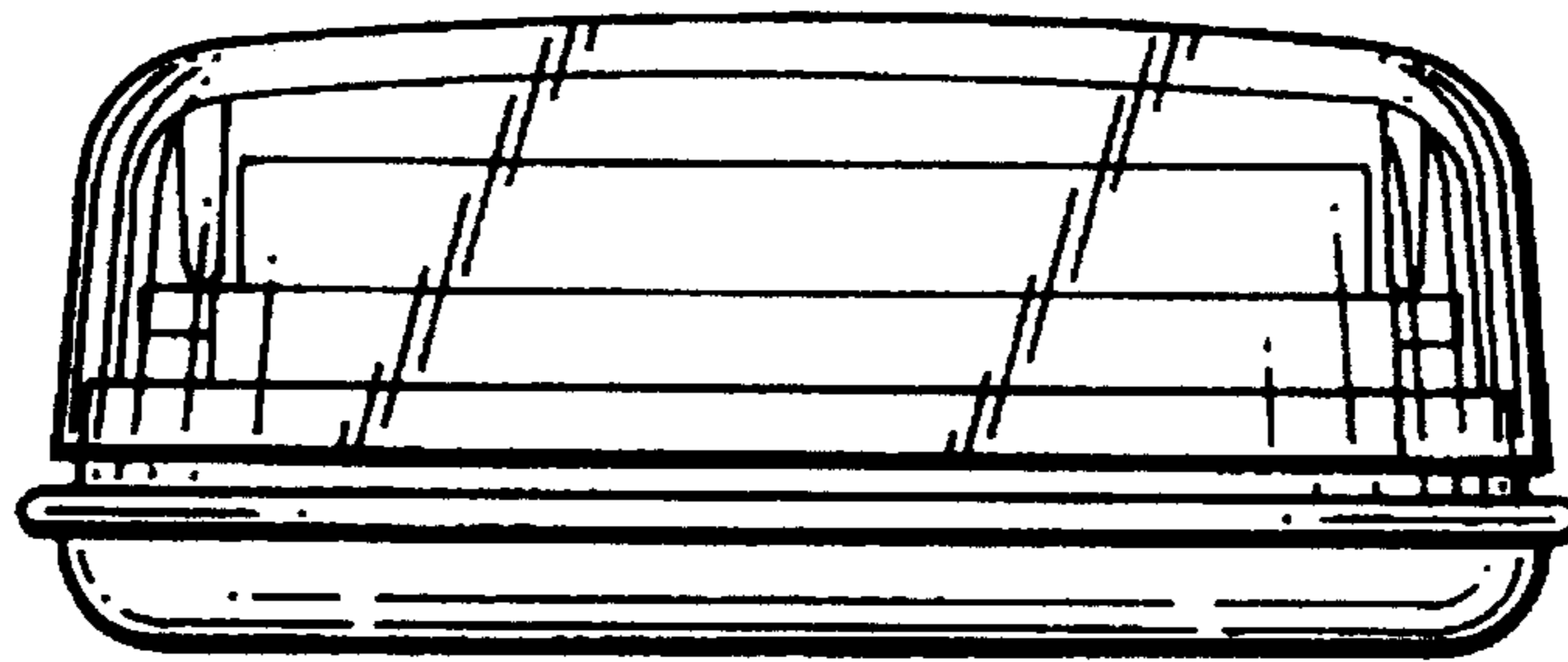


FIG. 10

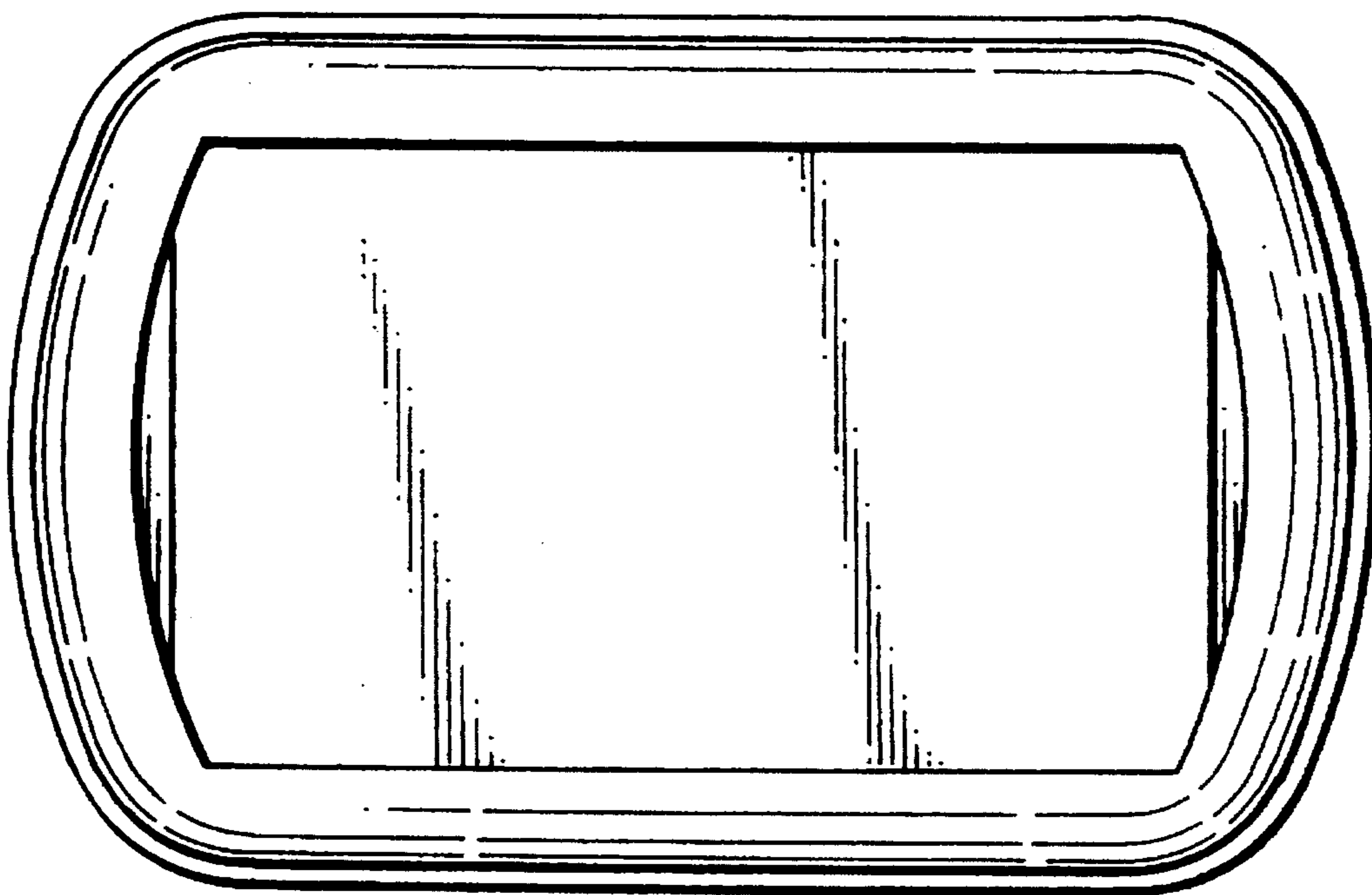


FIG. 11

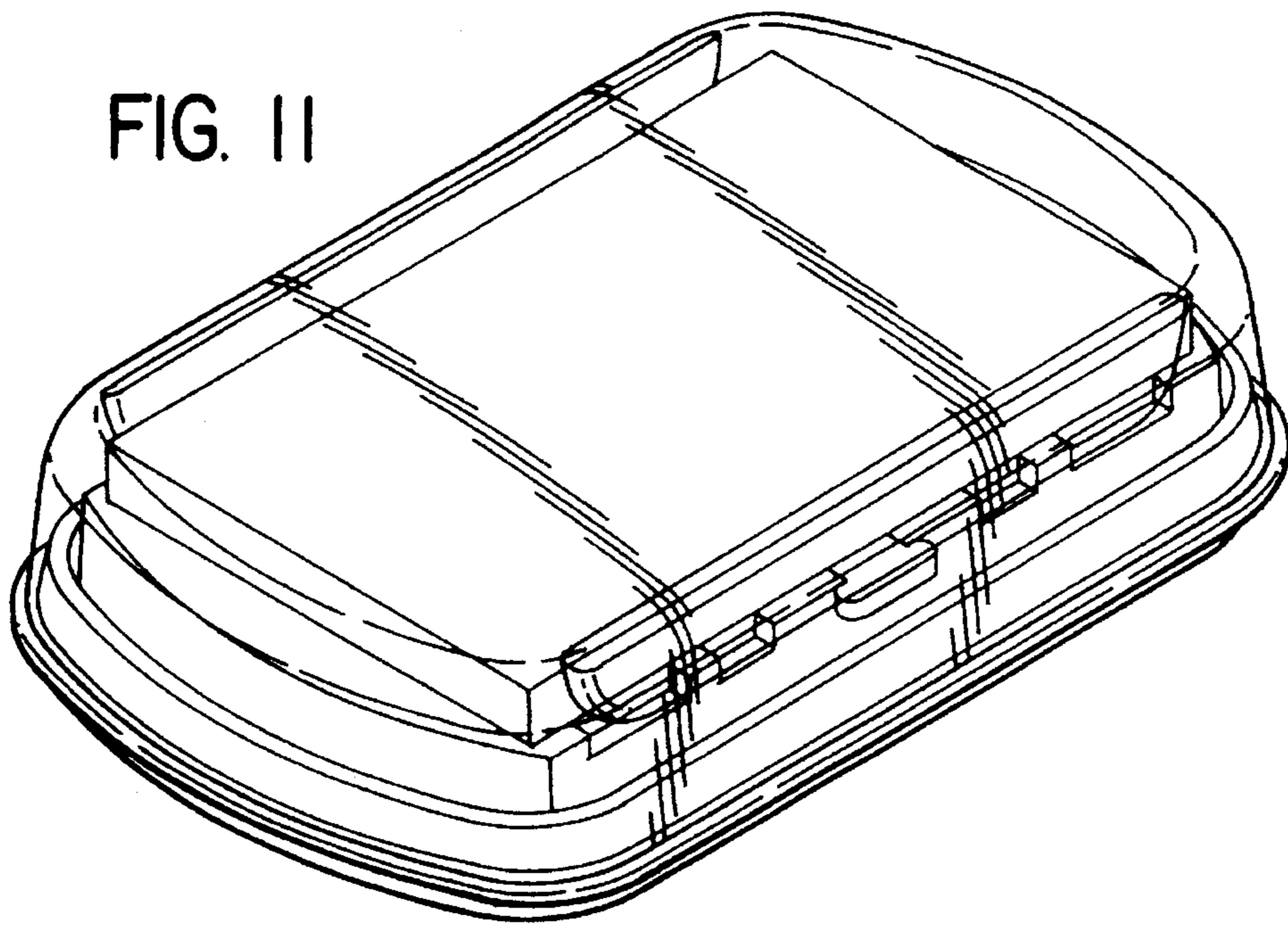


FIG. 12

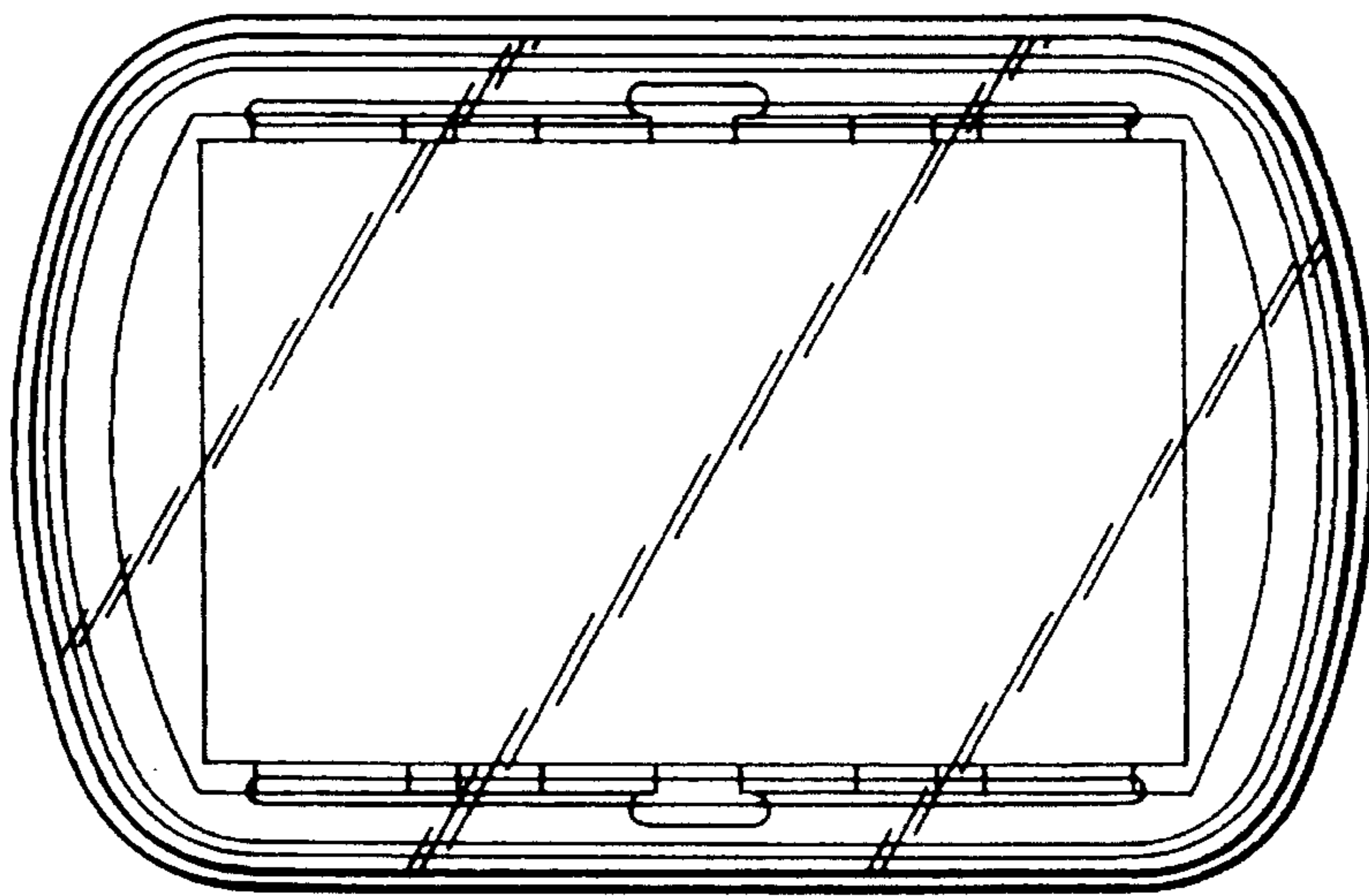


FIG. 13

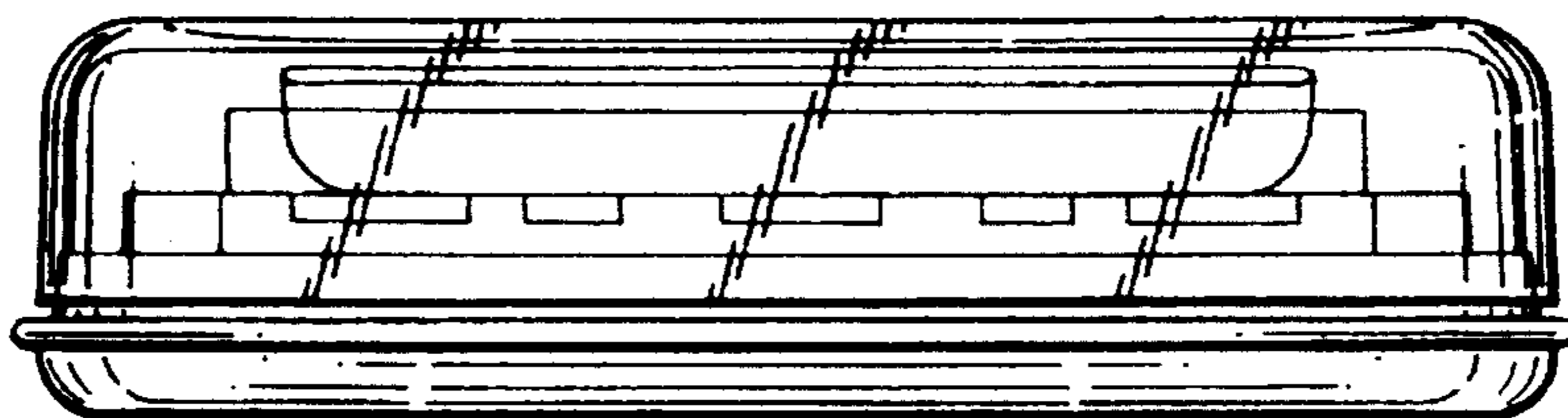


FIG. 14

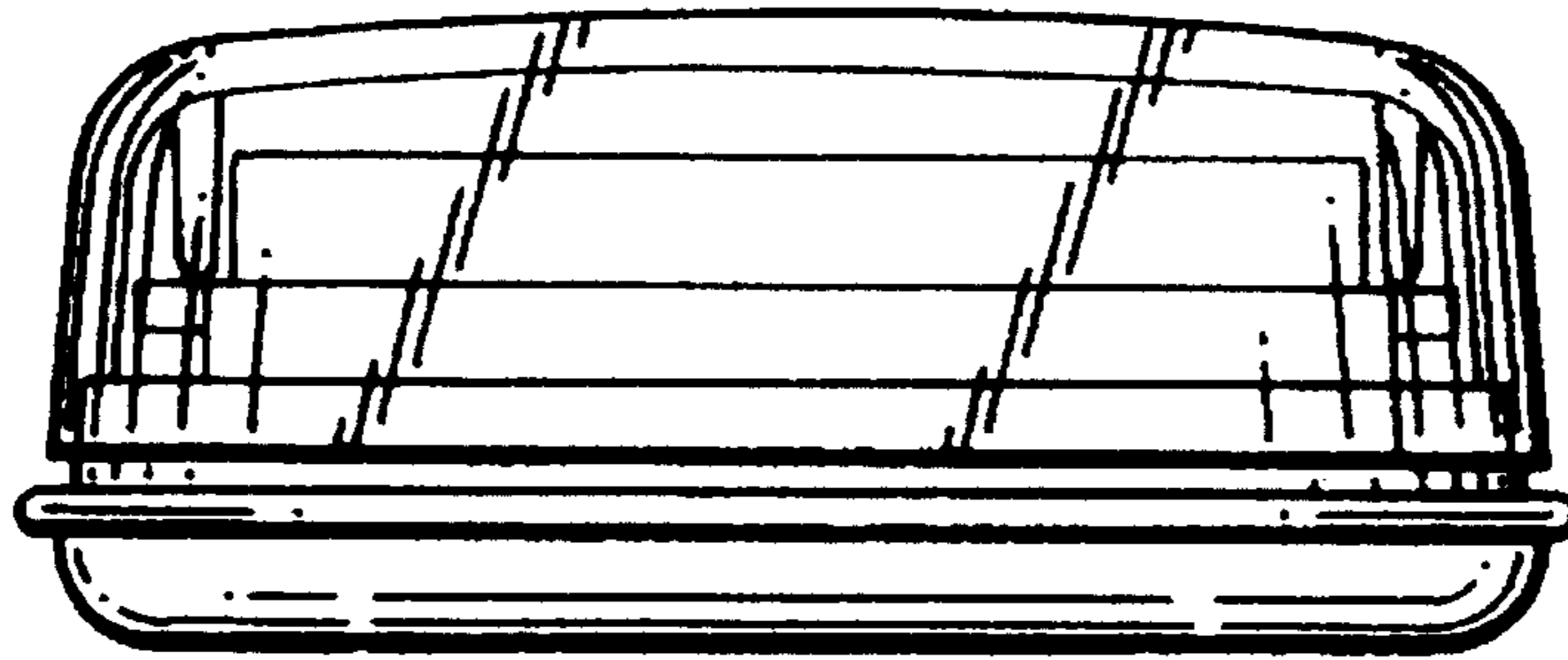


FIG. 15

