



US00D372925S

# United States Patent [19] Choi

[11] Patent Number: **Des. 372,925**  
[45] Date of Patent: **\*\*Aug. 20, 1996**

[54] **CAMCORDER**

[75] Inventor: **Hyun C. Choi**, Seoul, Rep. of Korea

[73] Assignee: **Samsung Electronics Co., Ltd.**,  
Kyungki, Rep. of Korea

[\*\*] Term: **14 Years**

[21] Appl. No.: **37,047**

[22] Filed: **Apr. 3, 1995**

[52] U.S. Cl. .... **D16/202**

[58] Field of Search ..... D16/200-206,  
D16/208; 348/373-376; 352/34, 242; 354/82,  
288; 358/906, 909.1; H04N 5/225

[56] **References Cited**

### U.S. PATENT DOCUMENTS

D. 352,728	11/1994	Kurokawa et al. ....	D16/202
D. 352,729	11/1994	Tsujimura et al. ....	D16/202
D. 356,097	3/1995	Sakata et al. ....	D16/202
4,873,576	10/1989	Hattori et al. ....	348/373

### FOREIGN PATENT DOCUMENTS

74178	4/1994	Canada .	
74177	4/1994	Canada .	
74599	8/1994	Canada .	
75562	1/1995	Canada .	
581286A1	2/1994	European Pat. Off. ....	H04N 5/225

M9305553	1/1994	Germany .
M9404099	11/1994	Germany .
93-14176	8/1994	Japan .
93-14177	8/1994	Japan .

### OTHER PUBLICATIONS

Sony Catalog, Feb. 1994 Cover Page (Handicam CoMix).  
United Kingdom Design Search Report dated 19 Apr. 1995  
(8 pages).

*Primary Examiner*—Prabhakar G. Deshmukh  
*Assistant Examiner*—Adir Aronovich  
*Attorney, Agent, or Firm*—Flynn, Thiel, Boutell & Tanis,  
P.C.

### [57] CLAIM

The ornamental design for a camcorder, as shown and described.

### DESCRIPTION

FIG. 1 is a top, front perspective view of a camcorder showing my new design;  
FIG. 2 is a top view thereof;  
FIG. 3 is a bottom view thereof;  
FIG. 4 is a front elevational view thereof;  
FIG. 5 is a rear elevational view thereof;  
FIG. 6 is a left side elevational view thereof; and,  
FIG. 7 is a right side elevational view thereof.

1 Claim, 4 Drawing Sheets

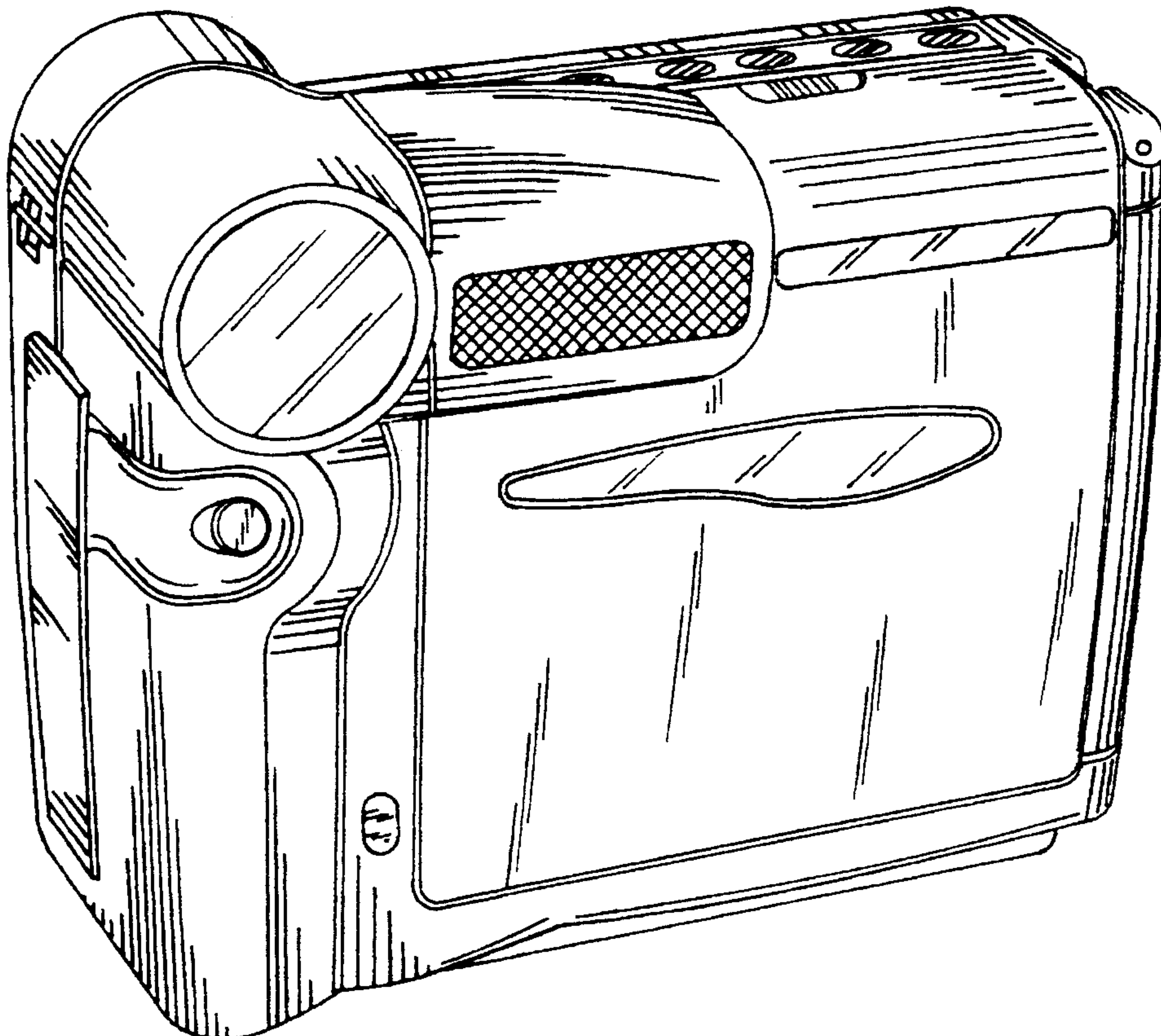


FIG. 1

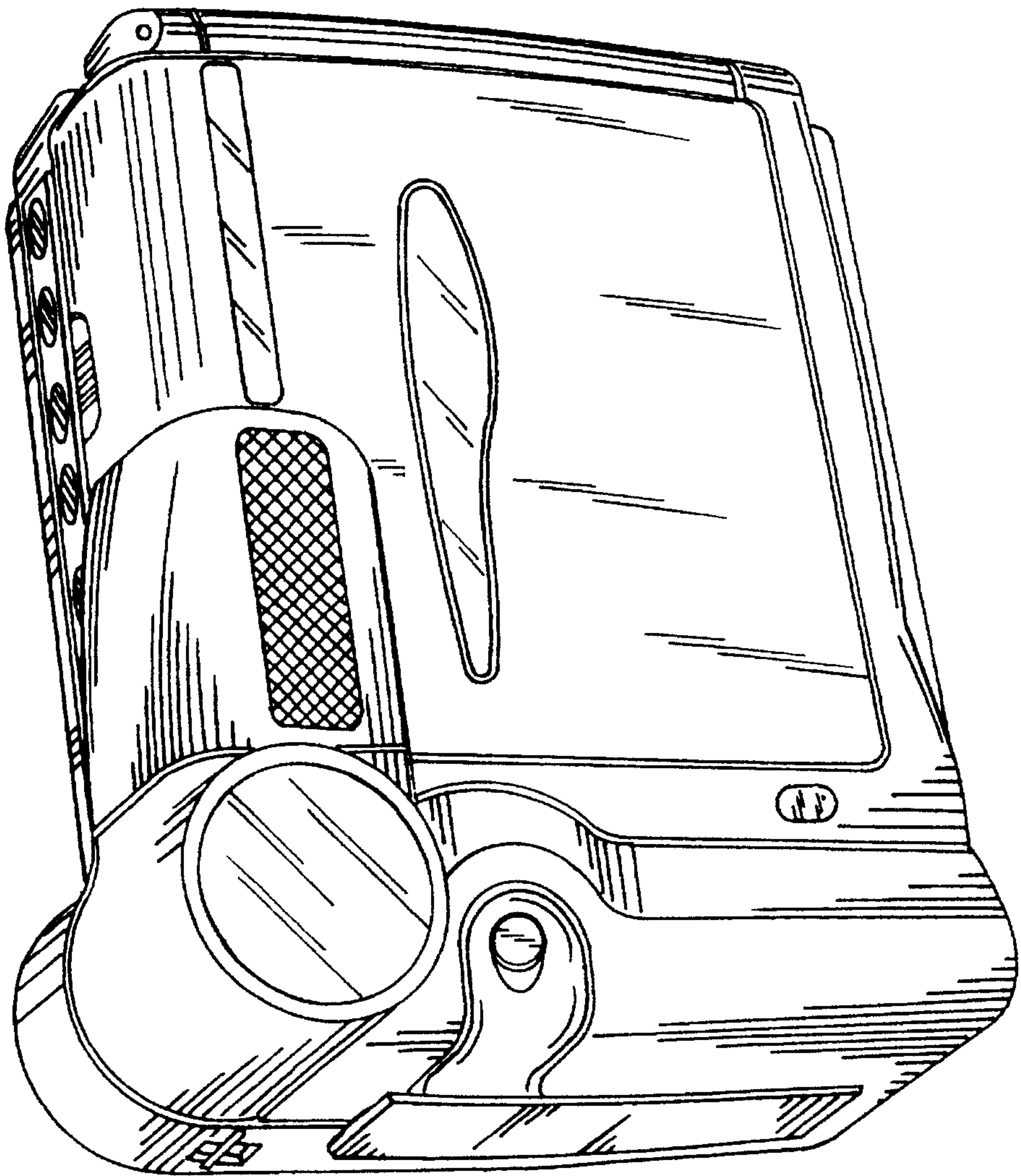


FIG. 2

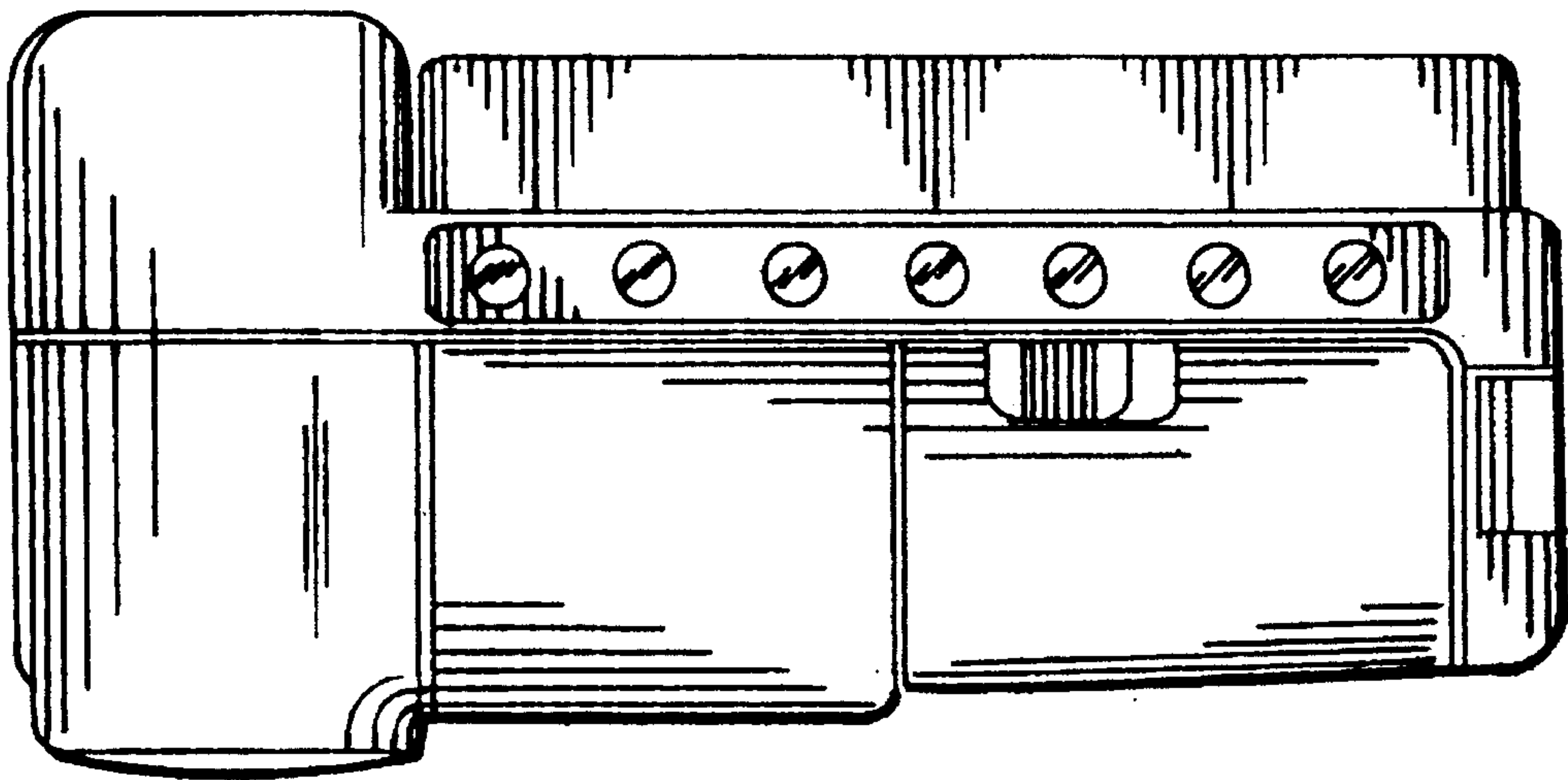


FIG. 3

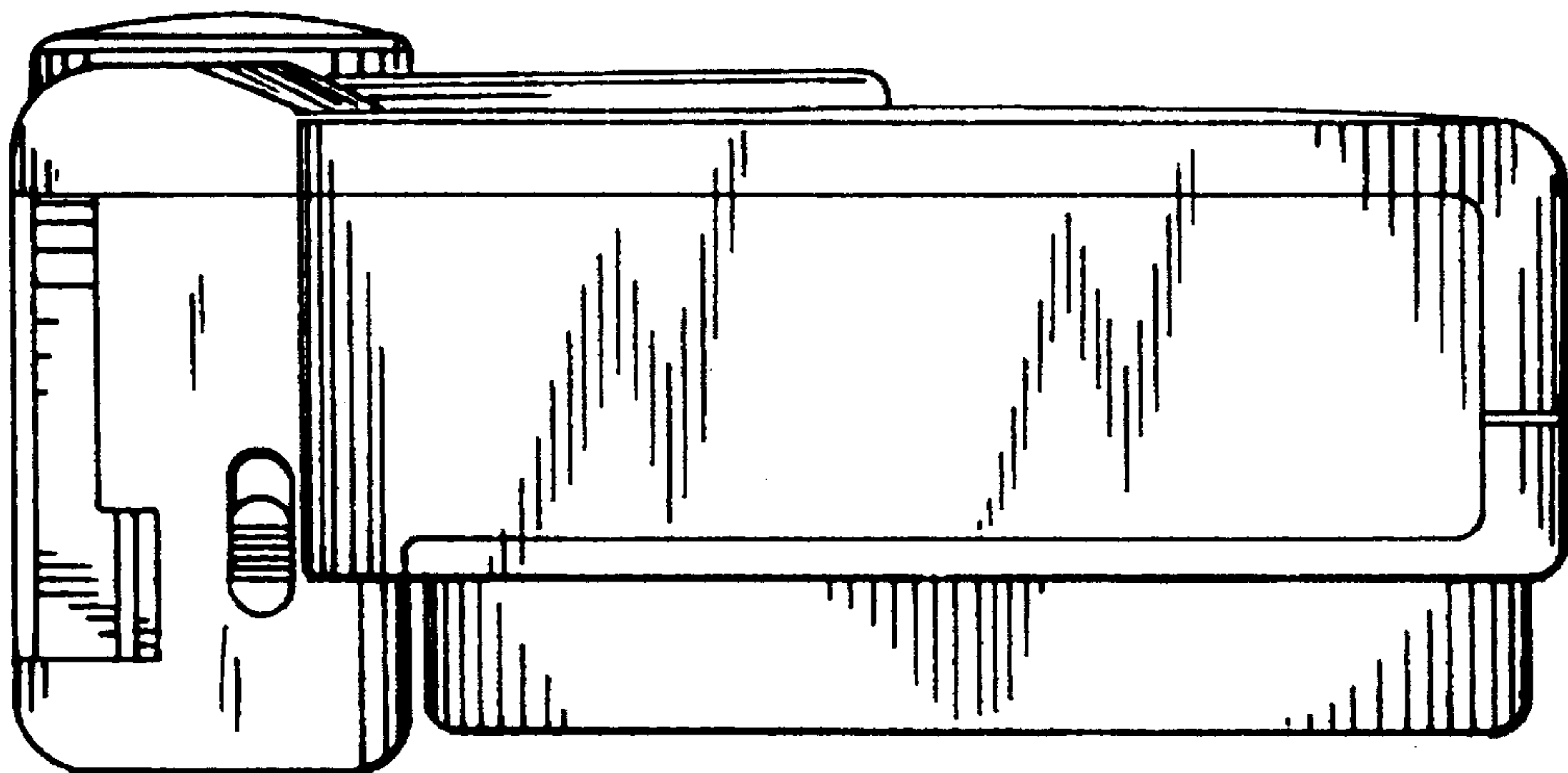




FIG. 4

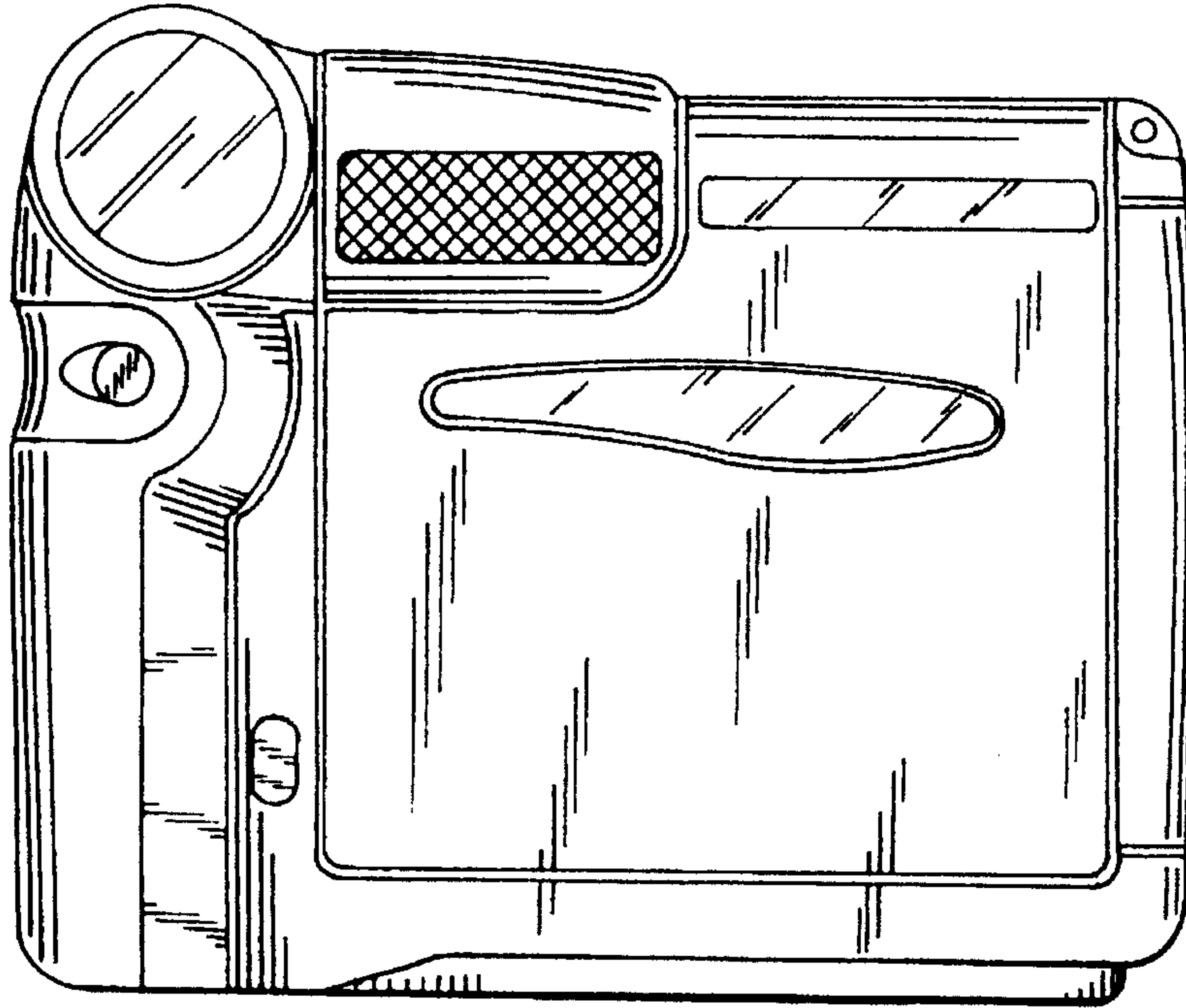


FIG. 5

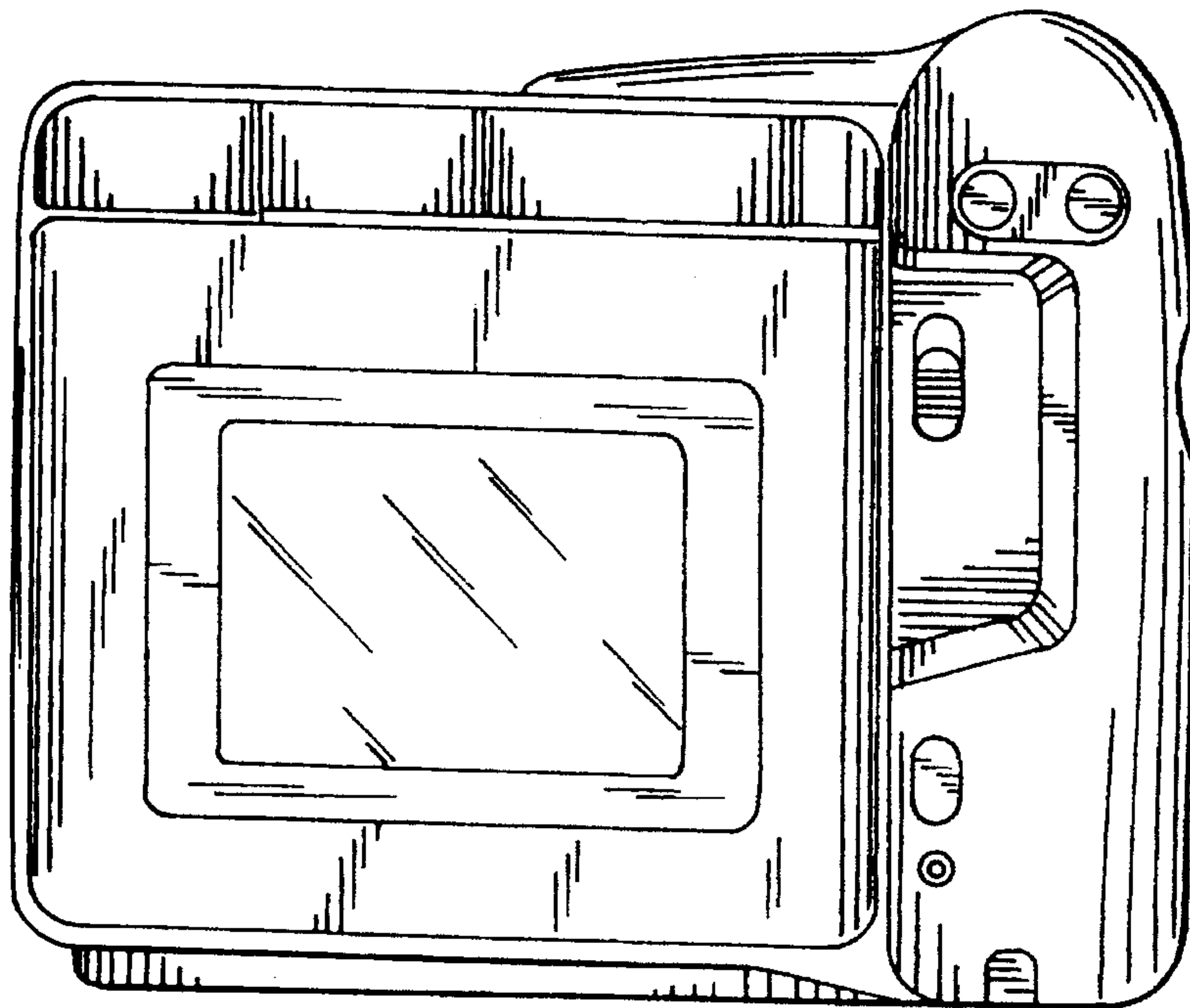


FIG. 7

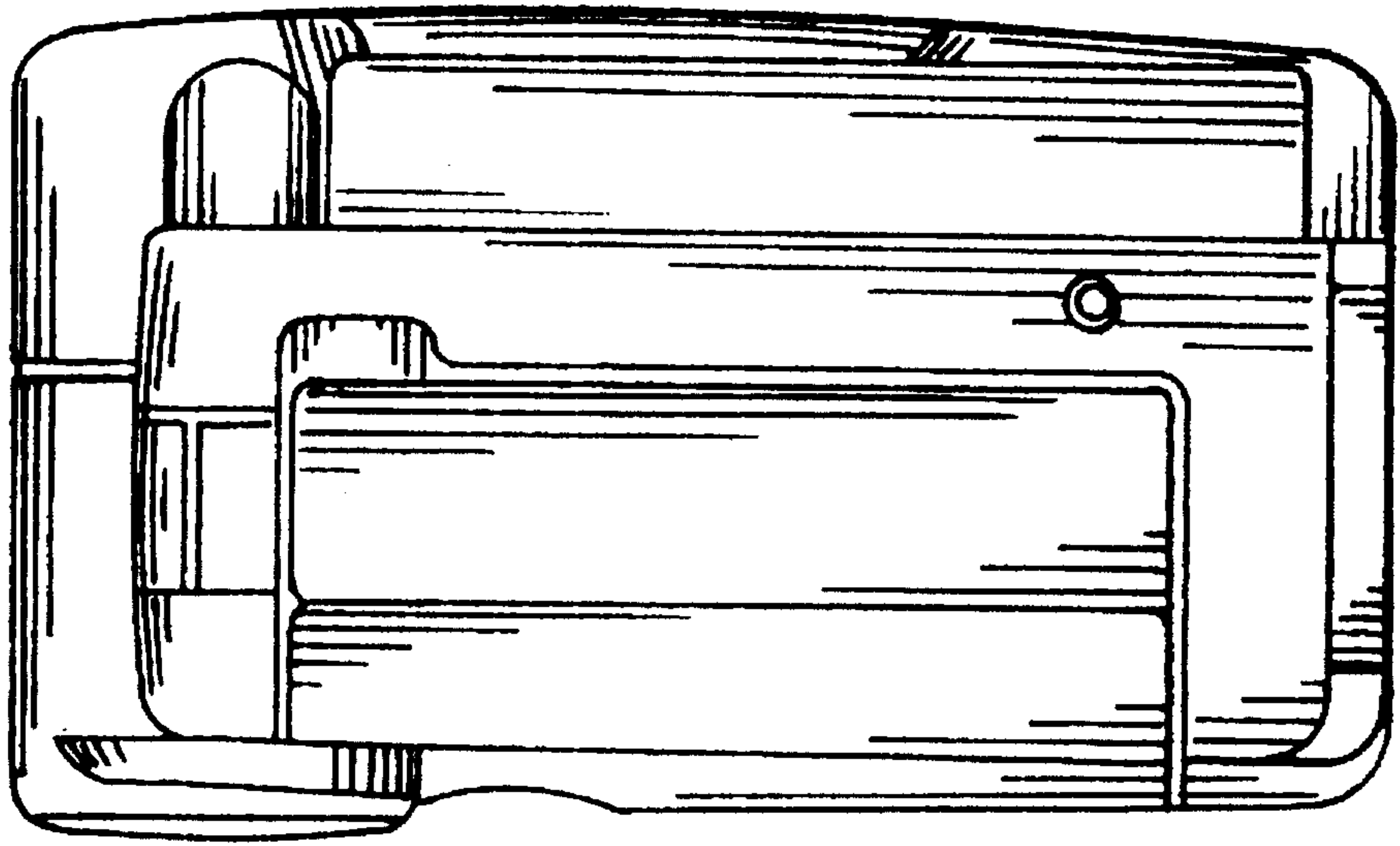


FIG. 6

