



US00D372924S

United States Patent [19]
Fisherman

[11] **Patent Number: Des. 372,924**

[45] **Date of Patent: **Aug. 20, 1996**

[54] **LIGHTED BAR MAGNIFIER**

[76] **Inventor: Carl Fisherman, 725 McCoy Rd., Franklin Lakes, N.J. 07417**

[**] **Term: 14 Years**

[21] **Appl. No.: 37,866**

[22] **Filed: Apr. 21, 1995**

[52] **U.S. Cl. D16/135; D16/134**

[58] **Field of Search D16/130, 132, D16/135, 136, 225; 40/367; 359/399, 480, 802, 803, 804, 805, 809, 810, 811; 362/86, 138, 259**

[56] **References Cited**

U.S. PATENT DOCUMENTS

D. 298,634	11/1988	Yuen	D16/135
D. 324,529	3/1992	Moriyama	D16/135
2,057,807	10/1936	Whitmore	359/811 X

Primary Examiner—Louis S. Zarfes

Assistant Examiner—Monica A. Hannon

Attorney, Agent, or Firm—McAulay Fisher Nissen Goldberg & Kiel, LLP

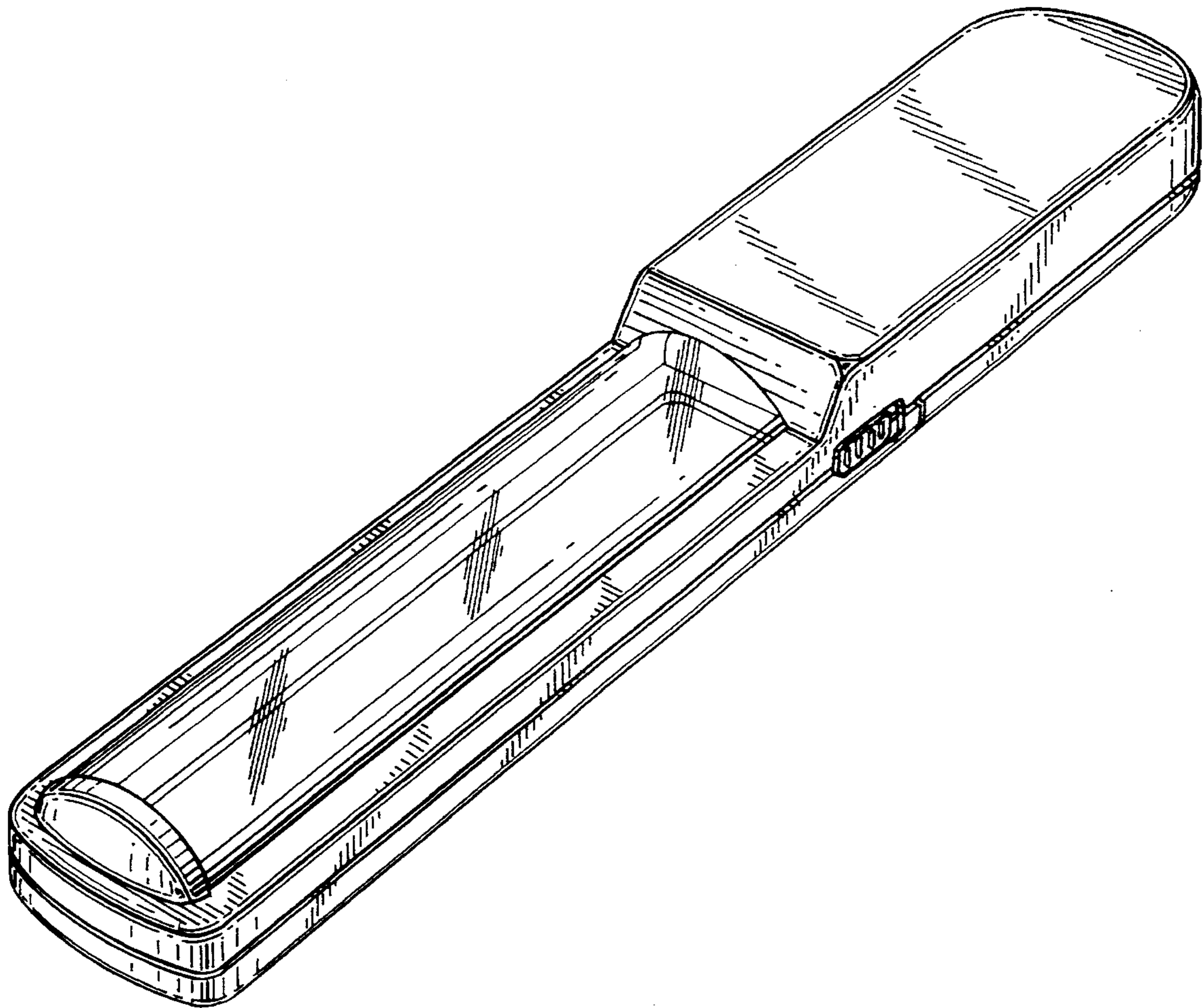
[57] **CLAIM**

The ornamental design for a lighted bar magnifier, as shown and described.

DESCRIPTION

FIG. 1 is a front view of the lighted bar magnifier showing my new design;
FIG. 2 is a top plan view;
FIG. 3 is a rear view;
FIG. 4 is a left side elevation view;
FIG. 5 is a right side view;
FIG. 6 is a bottom view;
FIG. 7 is a top perspective view on an enlarged scale; and,
FIG. 8 is a bottom perspective view on an enlarged scale.

1 Claim, 2 Drawing Sheets



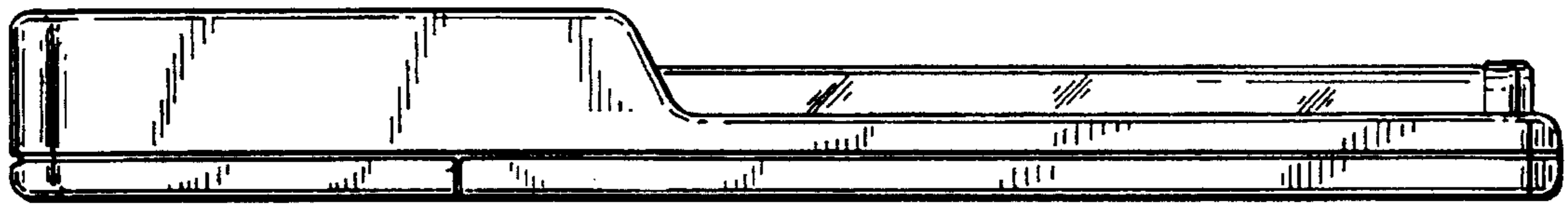


FIG. 1

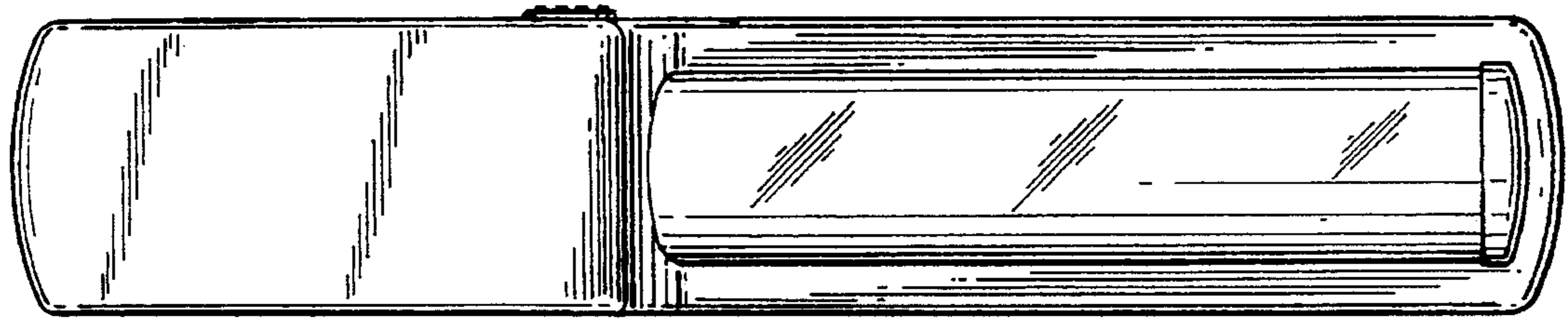


FIG. 2



FIG. 3

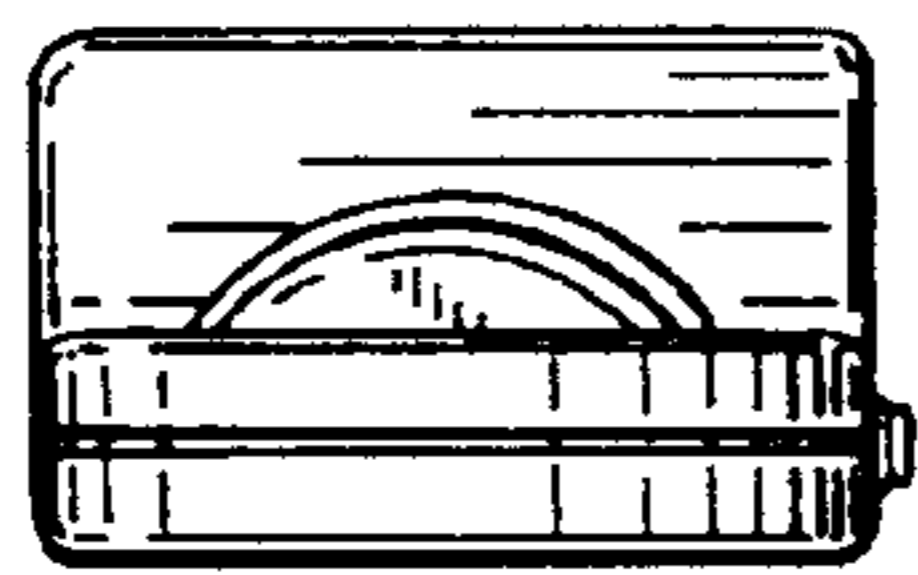


FIG. 4

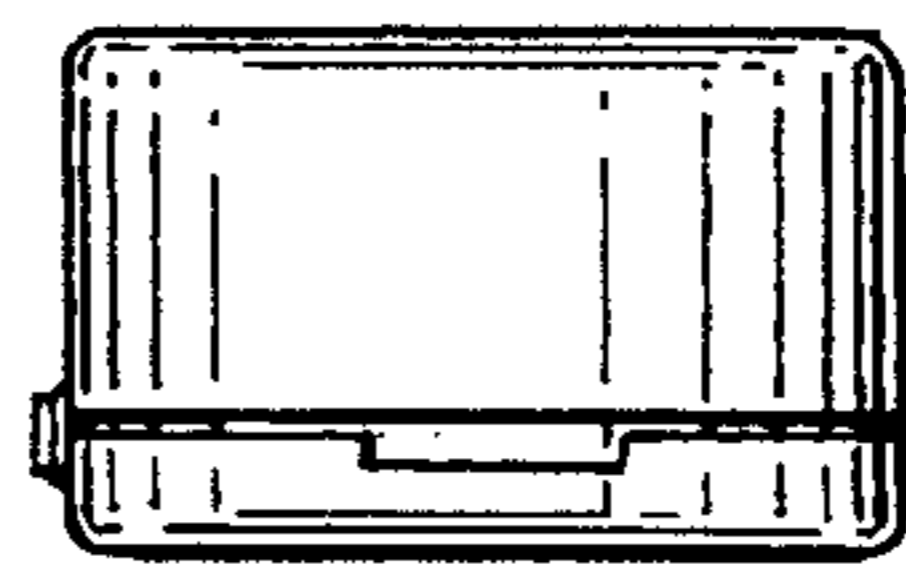


FIG. 5

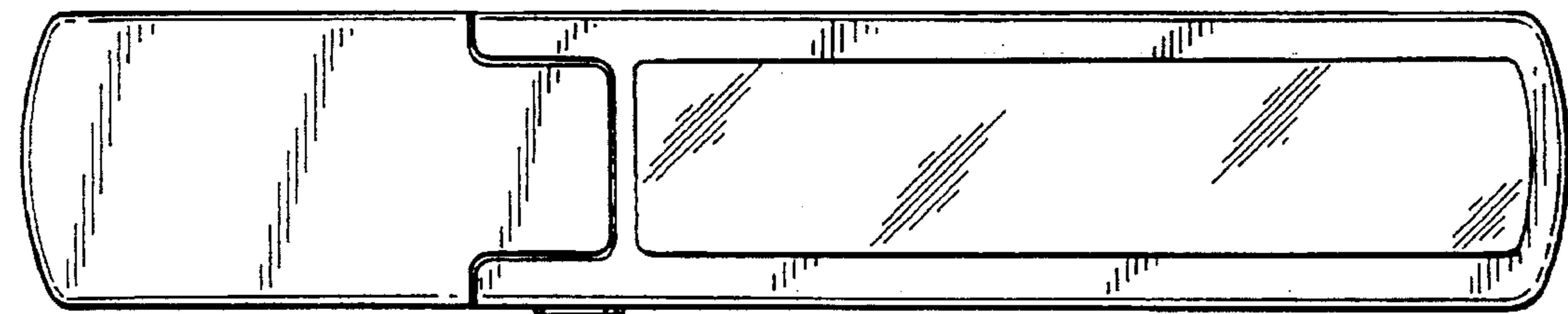


FIG. 6

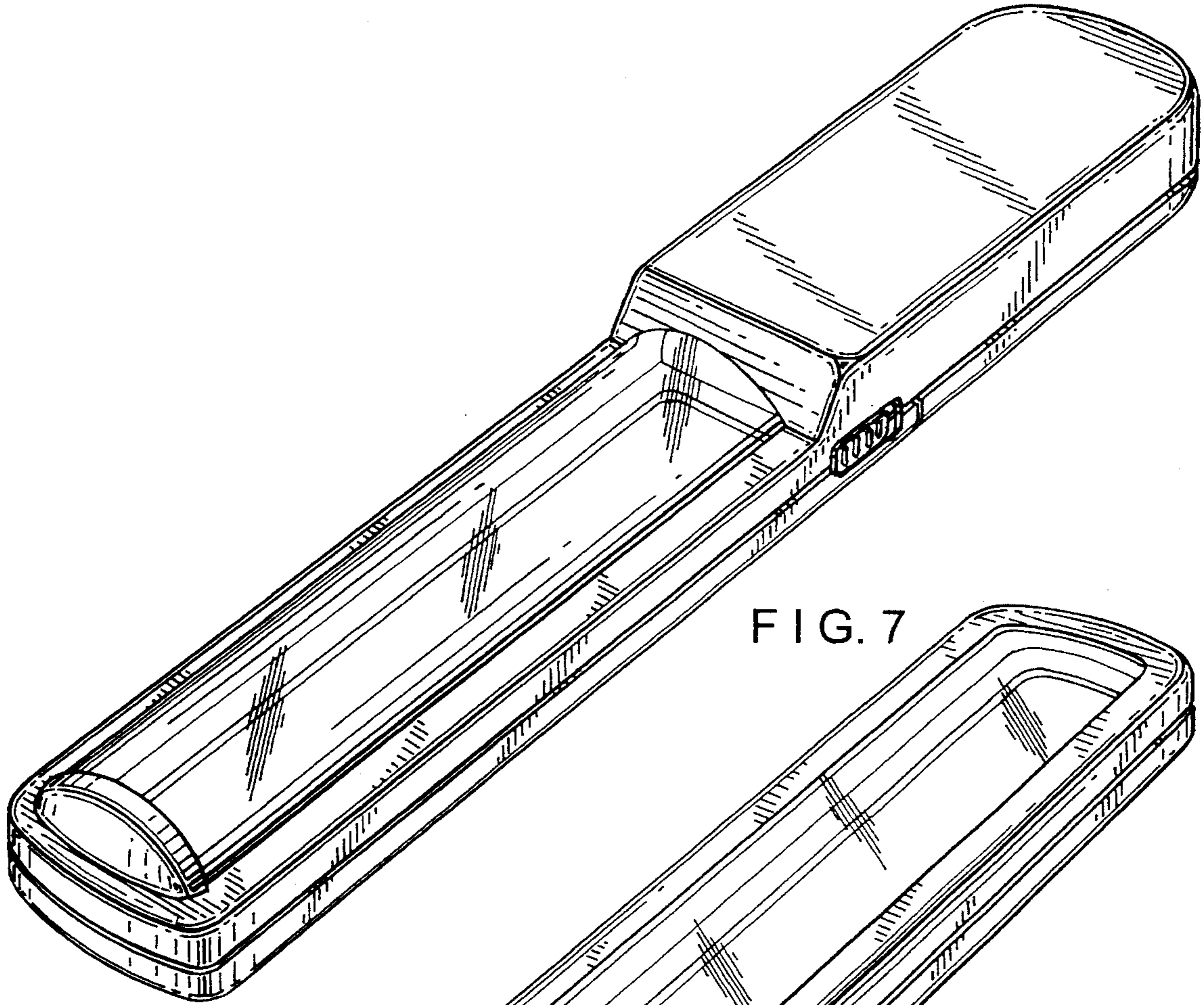


FIG. 7

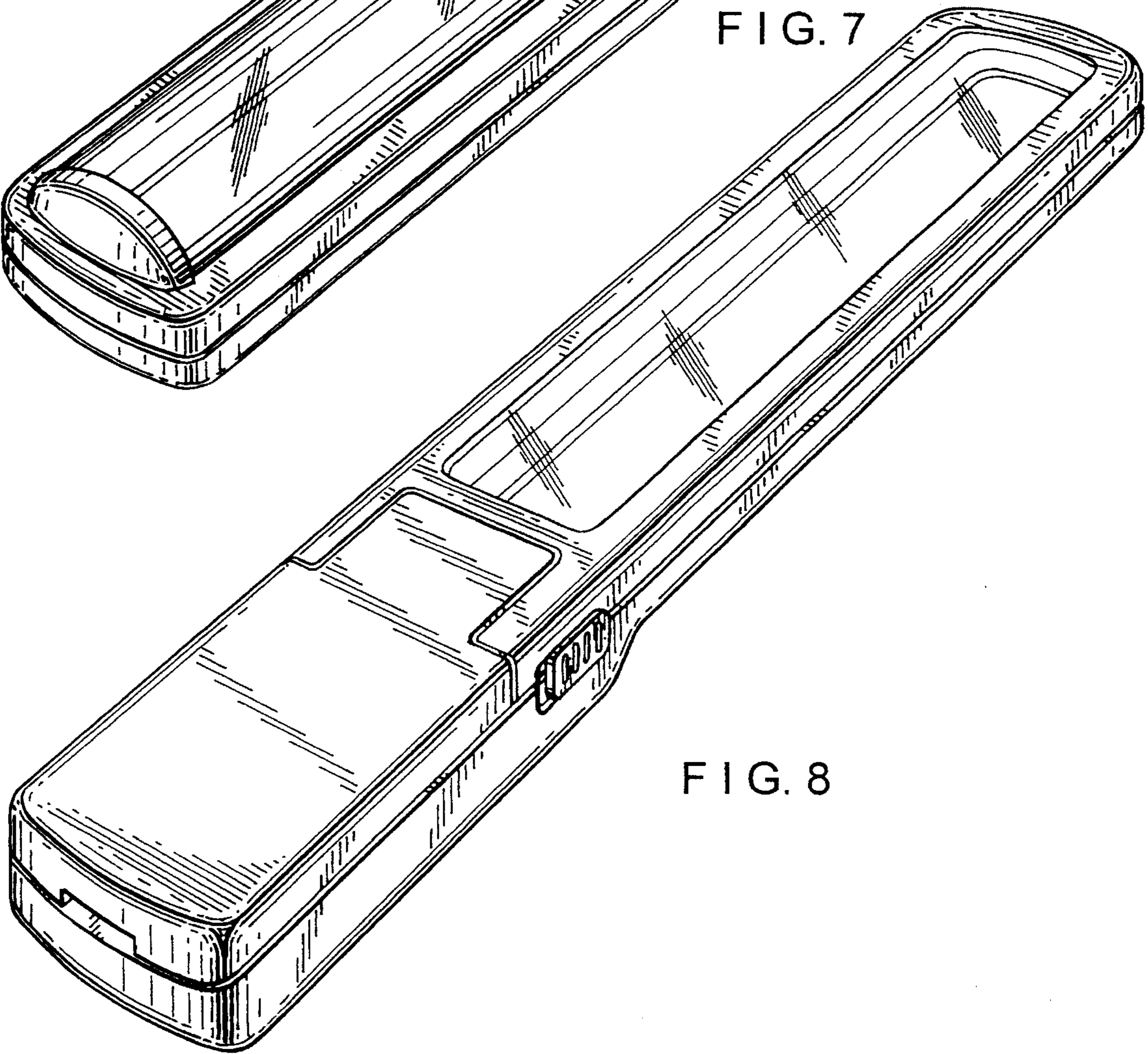


FIG. 8