



US00D372923S

United States Patent [19]
Theoharidis

[11] **Patent Number: Des. 372,923**

[45] **Date of Patent: **Aug. 20, 1996**

[54] **HYDRAULIC RAKE APPARATUS**

[76] **Inventor: Steven Theoharidis**, R.R. 1, Box 3760,
Sedgwick, Me. 04676

[**] **Term: 14 Years**

[21] **Appl. No.: 38,155**

[22] **Filed: Apr. 13, 1995**

[52] **U.S. Cl. D15/128**

[58] **Field of Search** D8/13, 105; D15/28,
D15/129, 138; 56/193; 83/908; 125/35,
13.01, 16.04; 210/523-531; 299/15, 41,
43, 45, 56, 64-68

[56] **References Cited**

U.S. PATENT DOCUMENTS

3,672,512 6/1972 Werner 210/523
3,840,000 10/1974 Bible 125/35

Primary Examiner—Antoine Duval Davis
Attorney, Agent, or Firm—Thomas A. Kahrl, Esq.

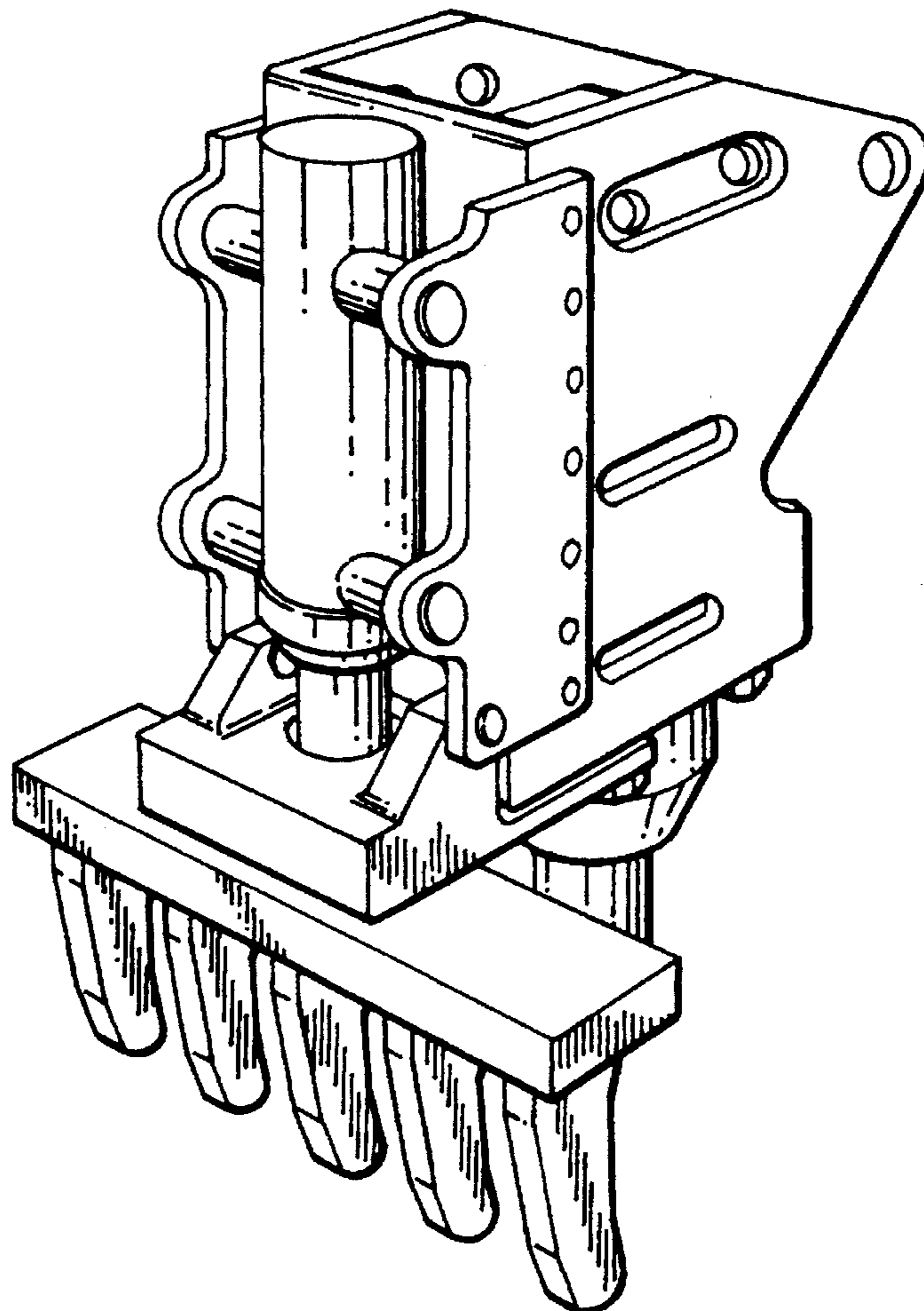
[57] **CLAIM**

The ornamental design for a hydraulic rake apparatus, as shown and described.

DESCRIPTION

FIG. 1 is a front elevational view of my hydraulic rake apparatus showing my new design;
FIG. 2 is a right side elevational view thereof, the left side being a mirror image thereof;
FIG. 3 is a bottom plan view thereof;
FIG. 4 is a rear elevational view thereof;
FIG. 5 is a top plan view thereof;
FIG. 6 is a perspective view taken from the right and front from above; and,
FIG. 7 is an elevational view of FIG. 1 showing said hydraulic rake in a raking position said hydraulic rake being retractable along a path parallel to said stone hammer chisel. The dominant feature of the invention resides in the design of hydraulic rake apparatus used in combination with a hydraulic hammer having four curved tines for raking debris, typically stone chips, and operable between a retracted position and an extended position.

1 Claim, 2 Drawing Sheets



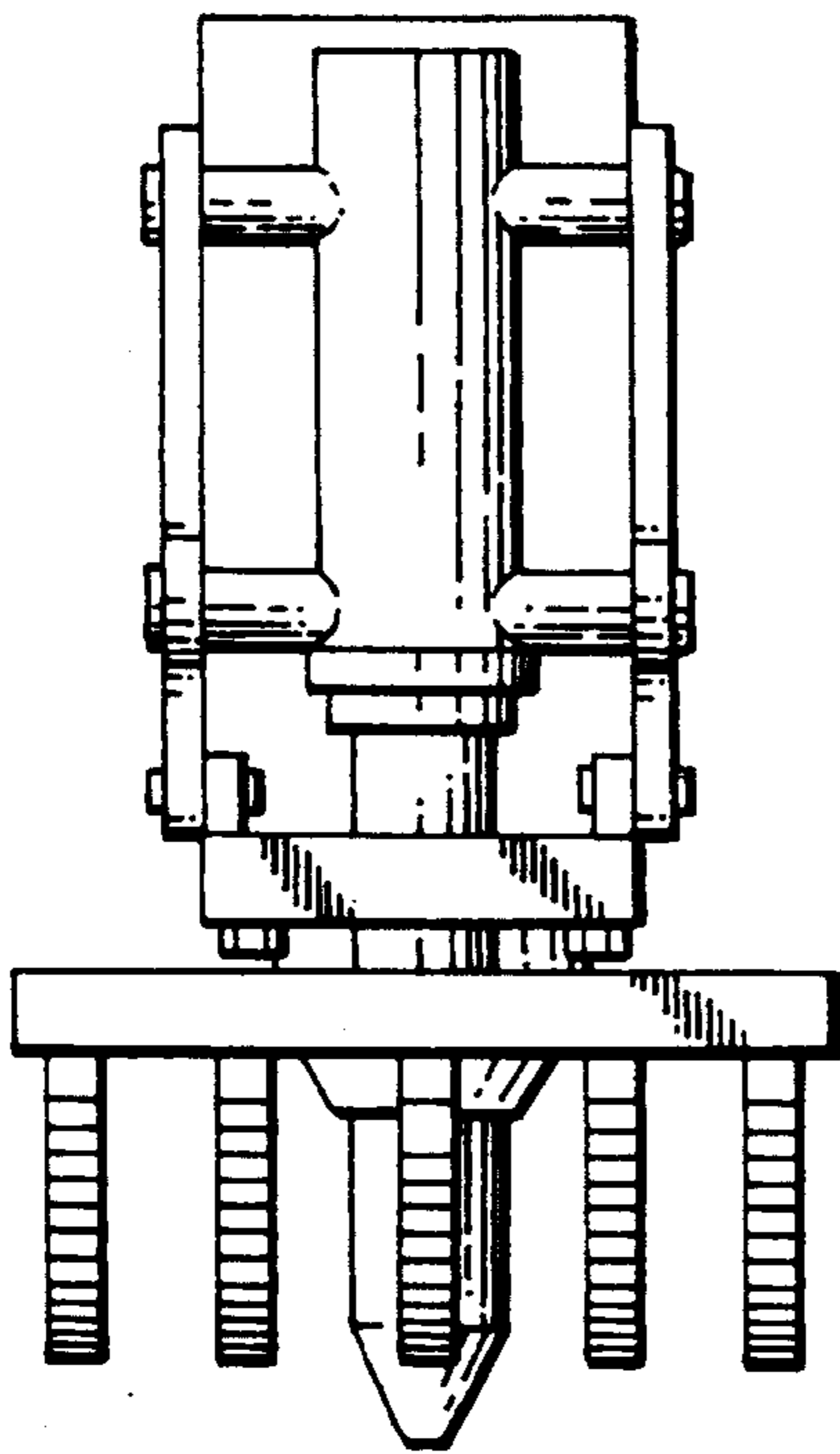


FIG. 1

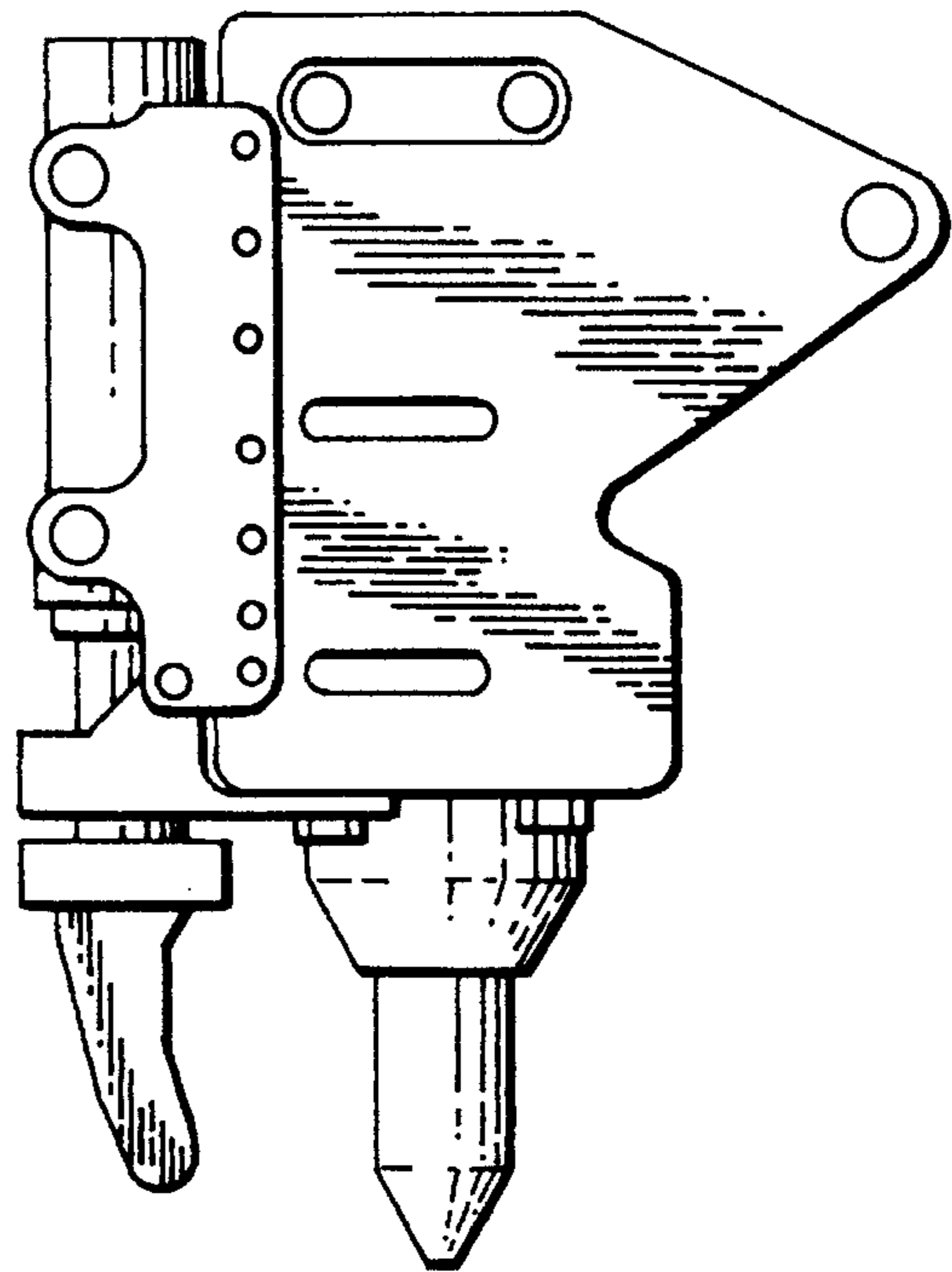


FIG. 2

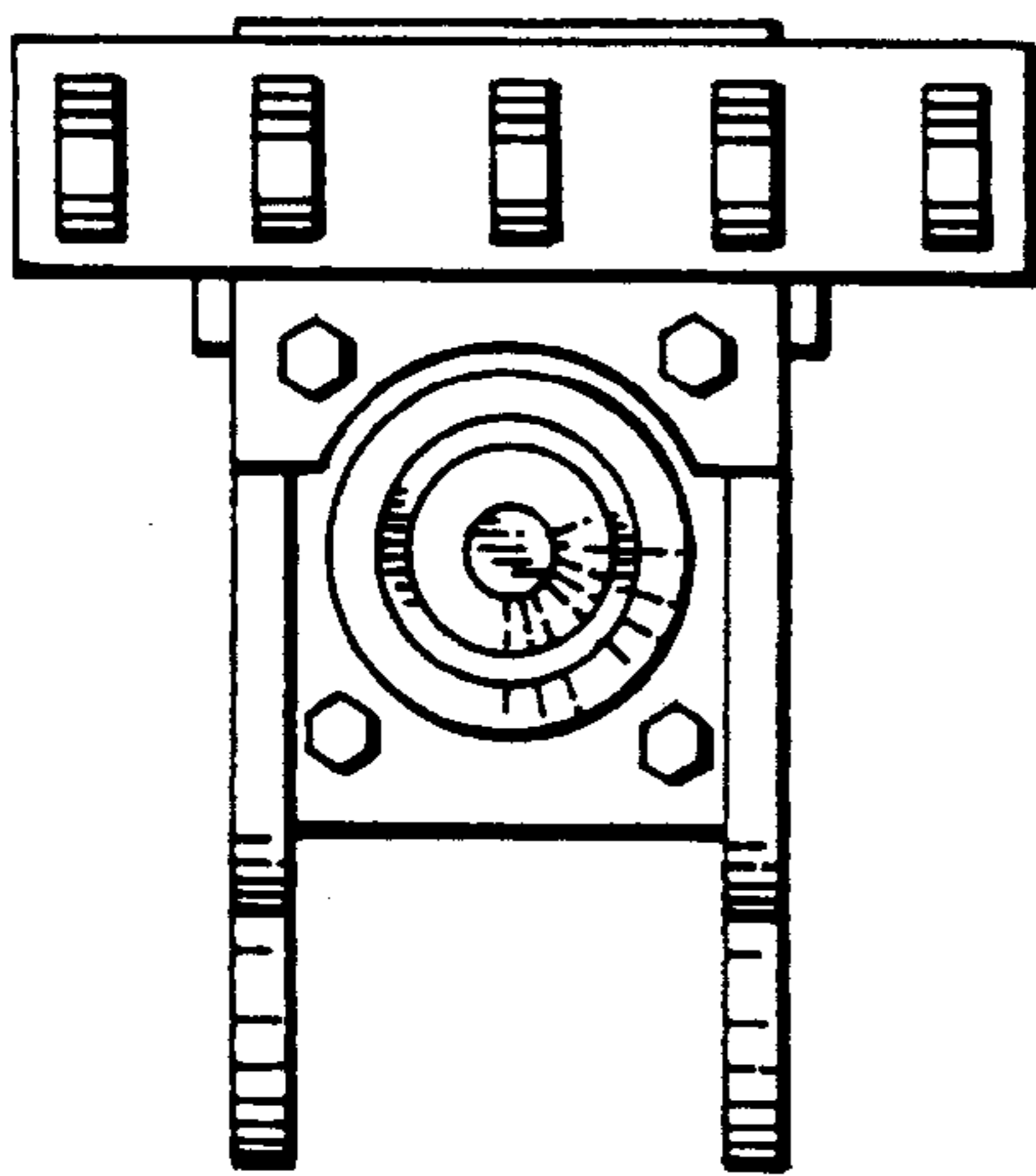


FIG. 3

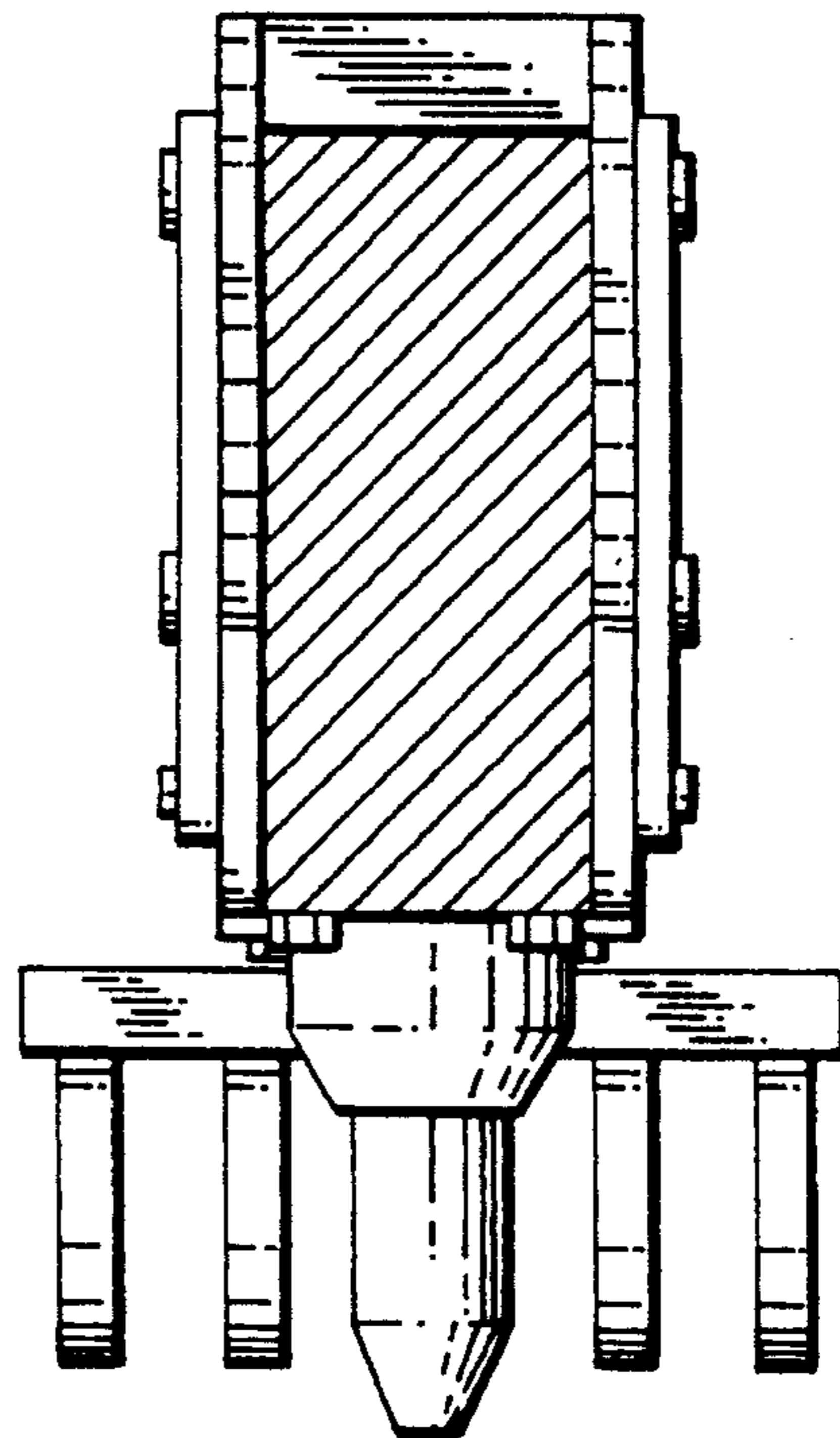


FIG. 4

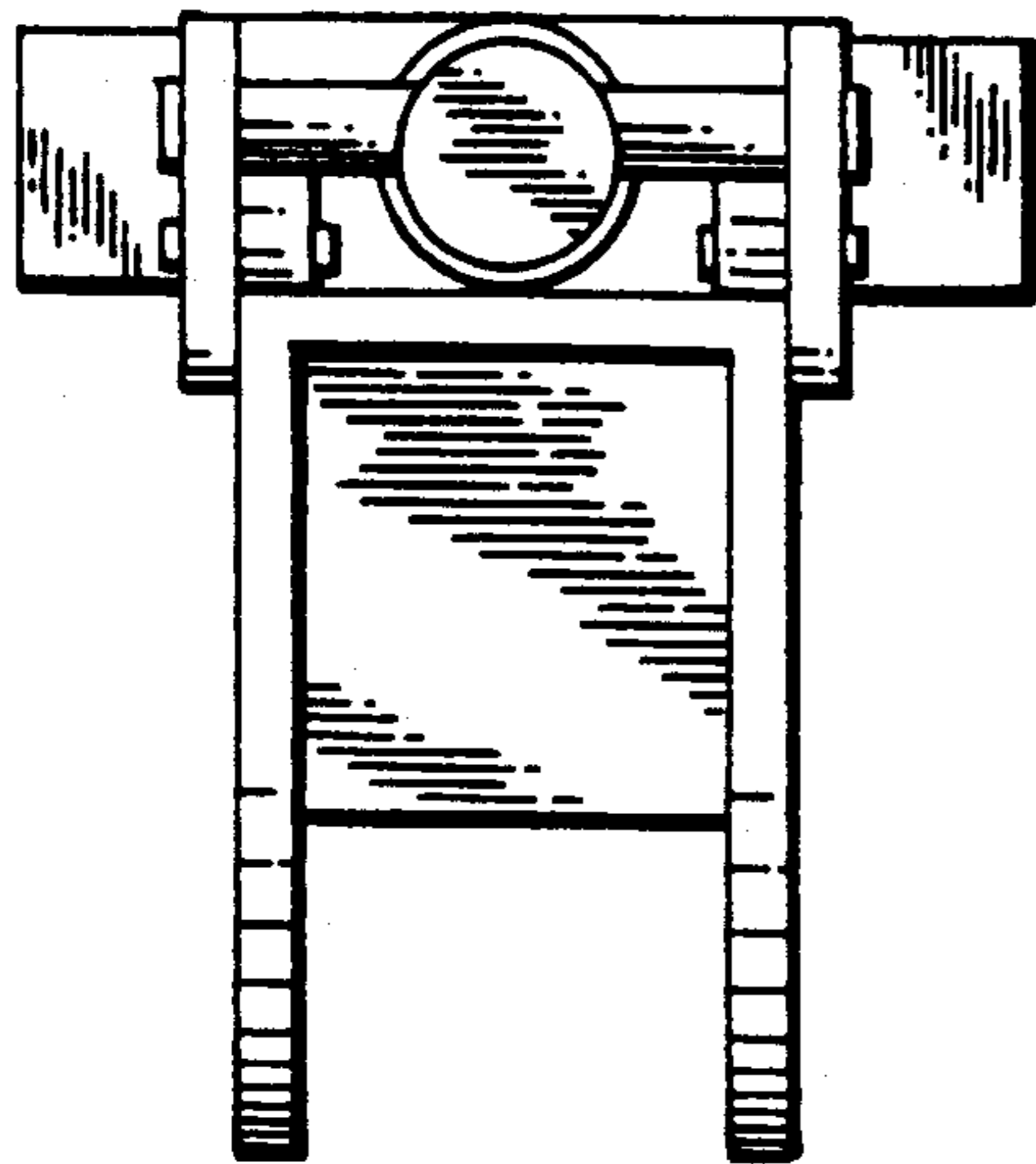


FIG. 5

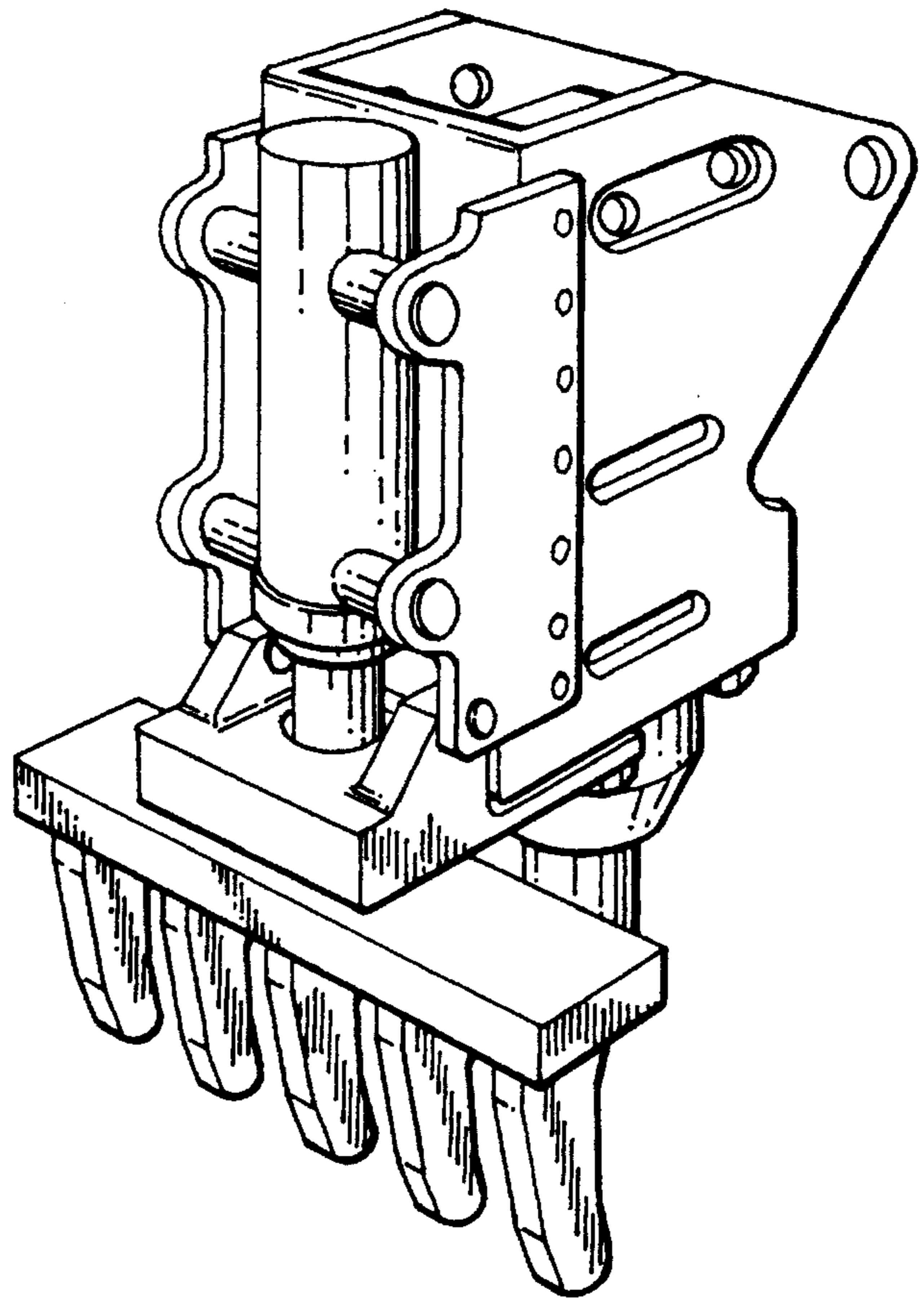


FIG. 6

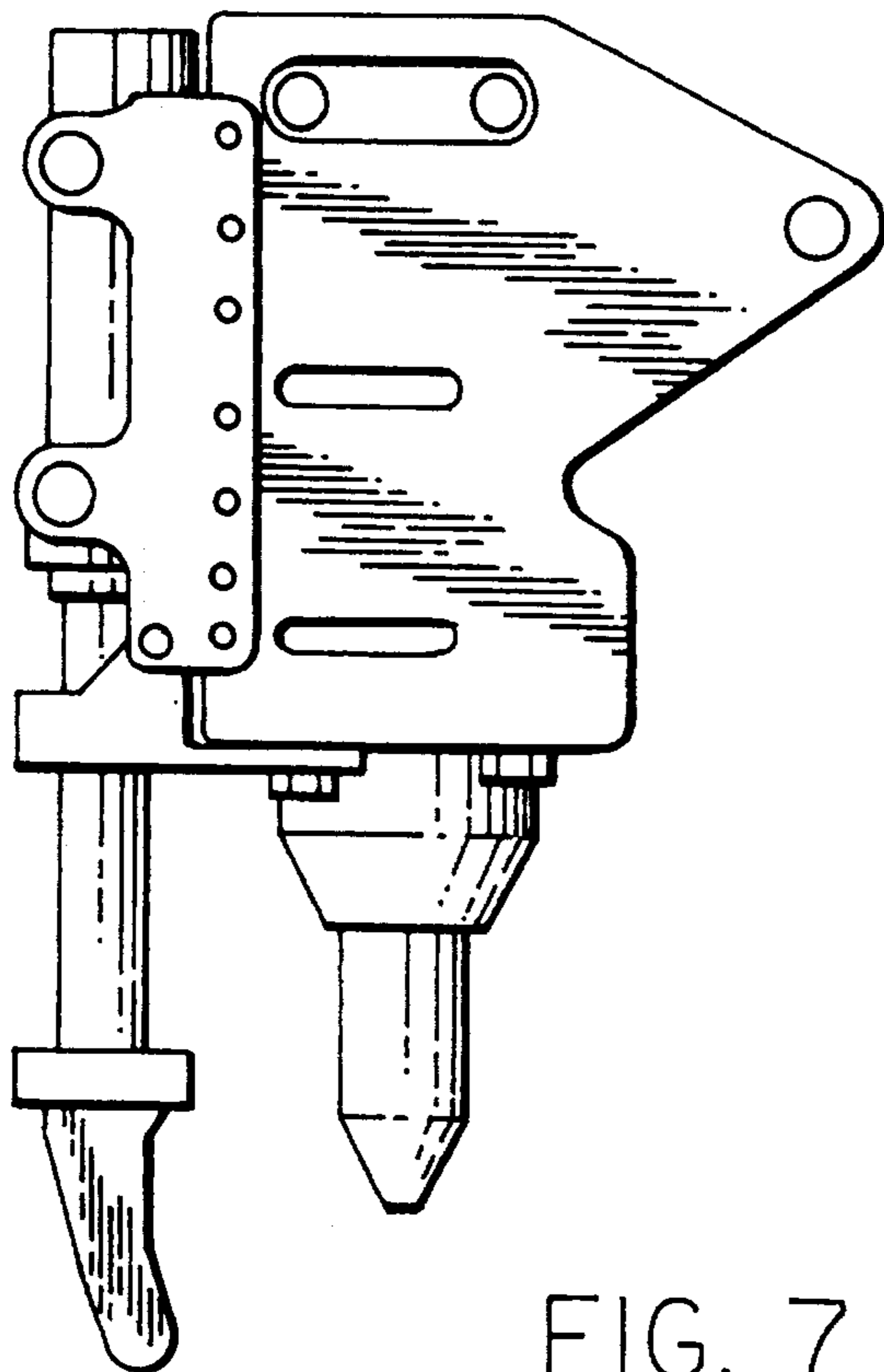


FIG. 7