



US00D372922S

United States Patent [19]

Tiedeman et al.

[11] Patent Number: **Des. 372,922**

[45] Date of Patent: ****Aug. 20, 1996**

[54] **CHUTE GUARD FOR A COMBINED CHIPPER AND SHREDDER**

[75] Inventors: **David A. Tiedeman**, Conyers, Ga.;
Charles S. Henninger, Humboldt, Tenn.

[73] Assignee: **Murray, Inc.**, Brentwood, Tenn.

[**] Term: **14 Years**

[21] Appl. No.: **35,952**

[22] Filed: **Mar. 9, 1995**

Related U.S. Application Data

[60] Division of Ser. No. 17,648, Jan. 9, 1994, Pat. No. Des. 358,399, which is a continuation-in-part of Ser. No. 2,680, Dec. 16, 1992, abandoned.

[52] U.S. Cl. **D15/10; D15/28**

[58] Field of Search **D15/10, 28; 241/101.71, 241/101.75, 101.78, 282, 282.2**

References Cited

U.S. PATENT DOCUMENTS

D. 221,287 7/1971 Enters D15/10

D. 234,815	4/1975	MacKissic	D15/10
D. 323,512	1/1992	D'Aleo et al.	D15/10
D. 343,175	1/1994	Baker	D15/10
D. 351,844	10/1994	Chesser	D15/10
3,240,247	3/1966	Lautzenheiser	241/101.78
3,593,930	7/1971	Lautzenheiser	241/101.78
3,861,603	1/1975	Lautzenheiser et al.	241/101.78
4,824,034	4/1989	Baker	241/101.78
5,199,653	4/1993	Durrant et al.	D15/10
5,305,959	4/1994	Chesser	D15/10

Primary Examiner—Sandra L. Morris

Attorney, Agent, or Firm—Cushman Darby & Cushman

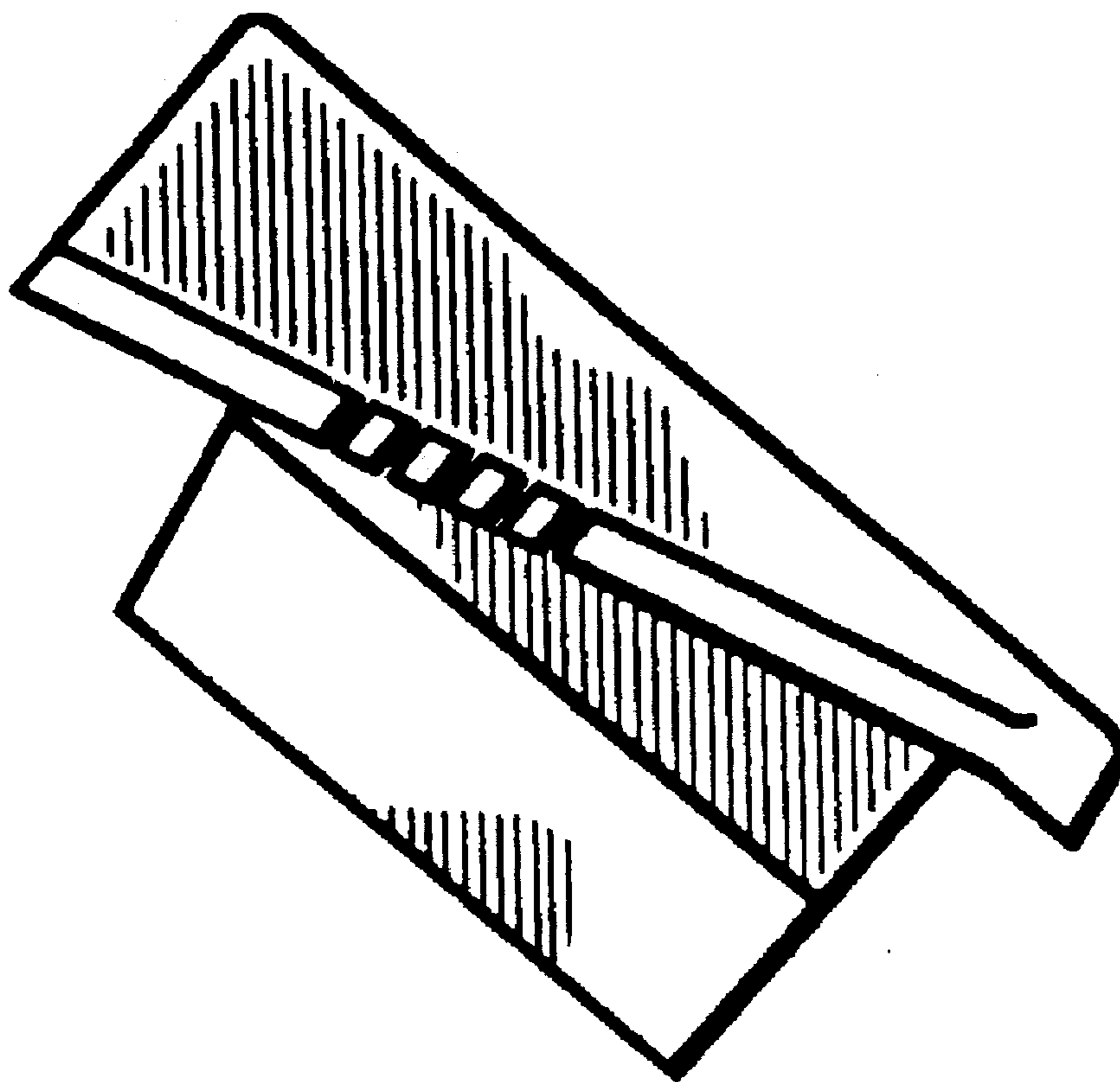
[57] CLAIM

The ornamental design for a chute guard for a combined chipper and shredder, as shown and described.

DESCRIPTION

FIG. 1 is a front elevational view of a chute guard for a combined chipper and shredder, showing our new design; FIG. 2 is a top plan view thereof; FIG. 3 is a right side elevational view thereof; FIG. 4 is a rear elevational view thereof; and, FIG. 5 is a left side elevational view thereof.

1 Claim, 1 Drawing Sheet



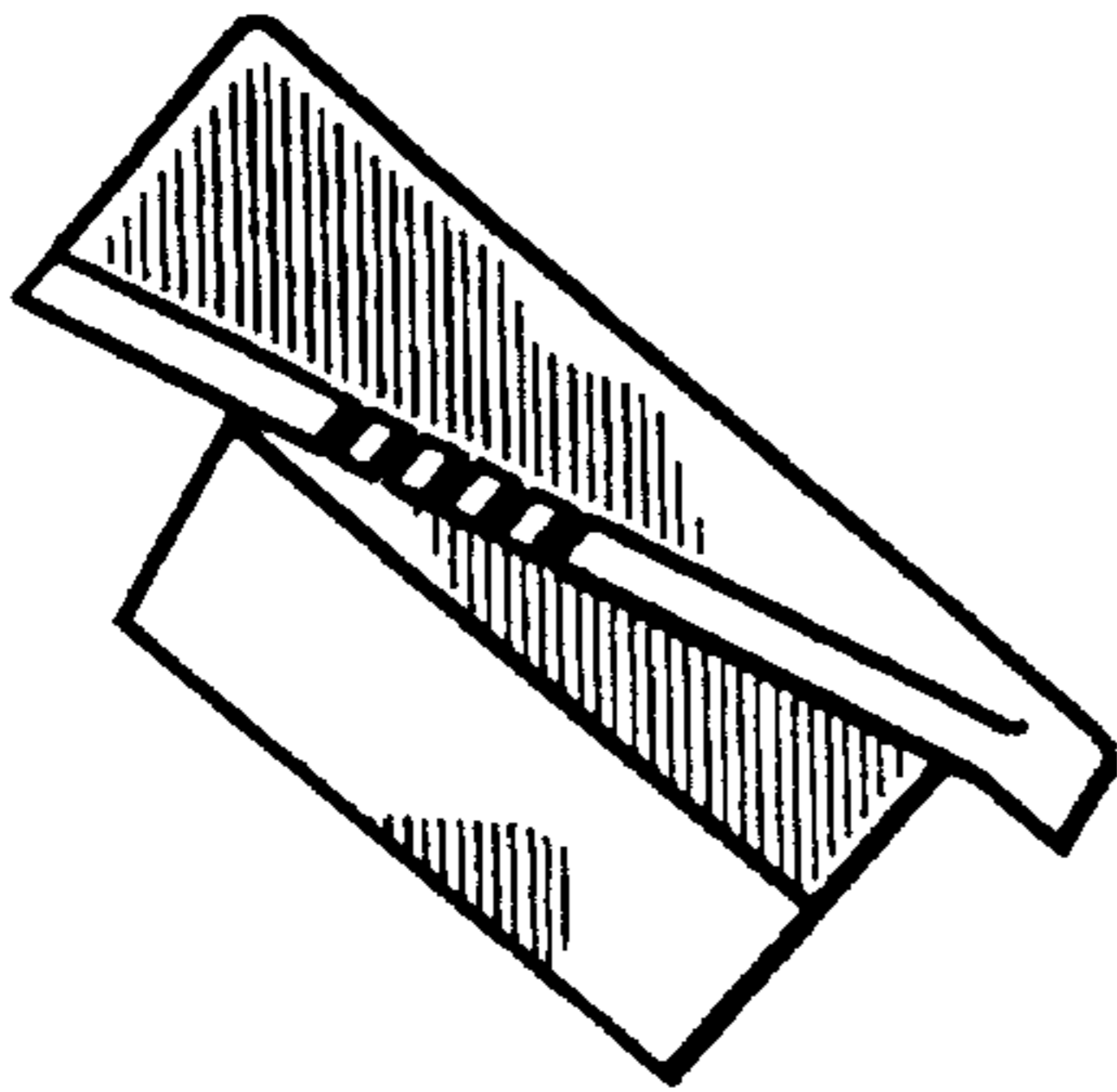


Fig. 1

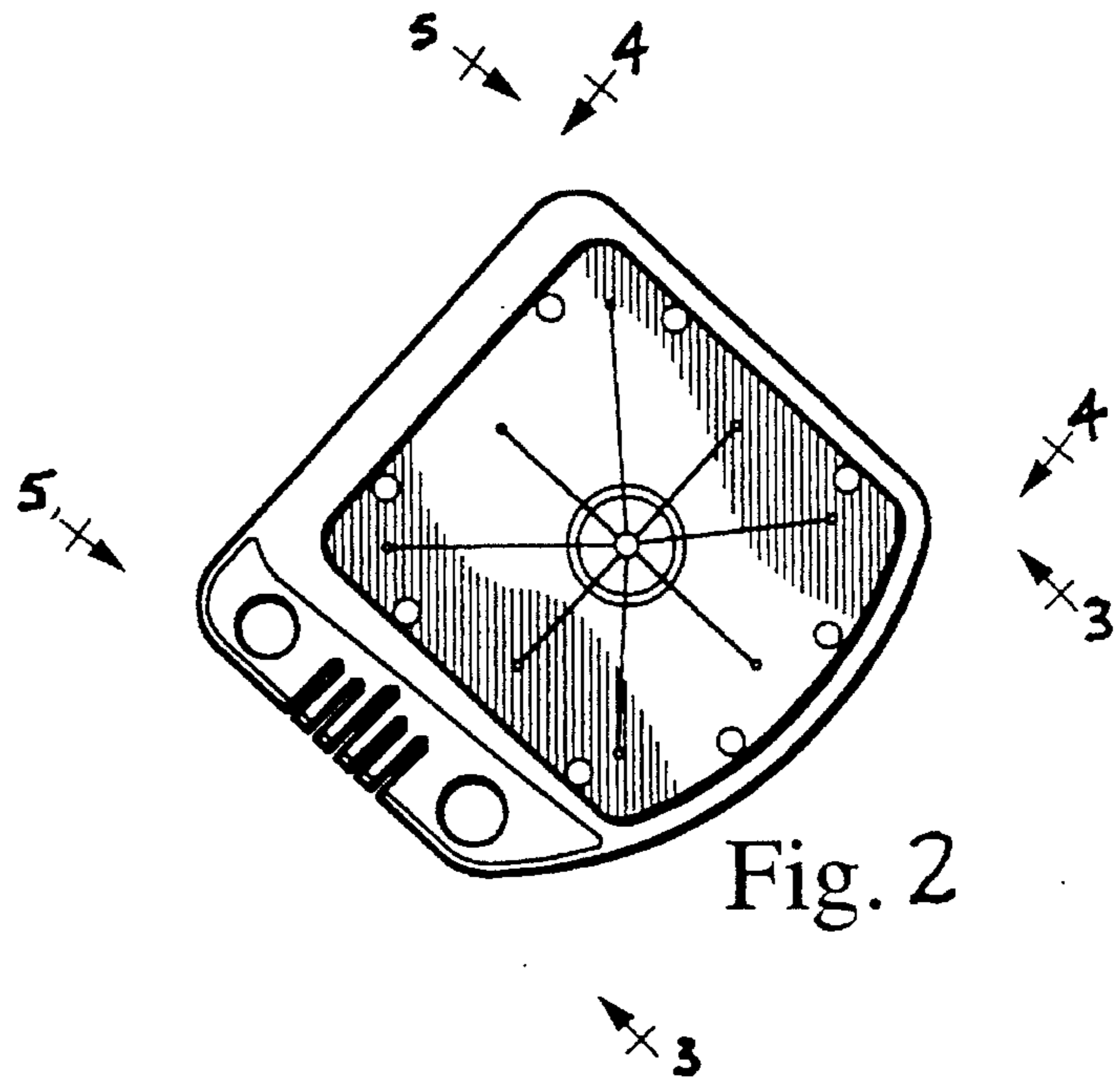


Fig. 2

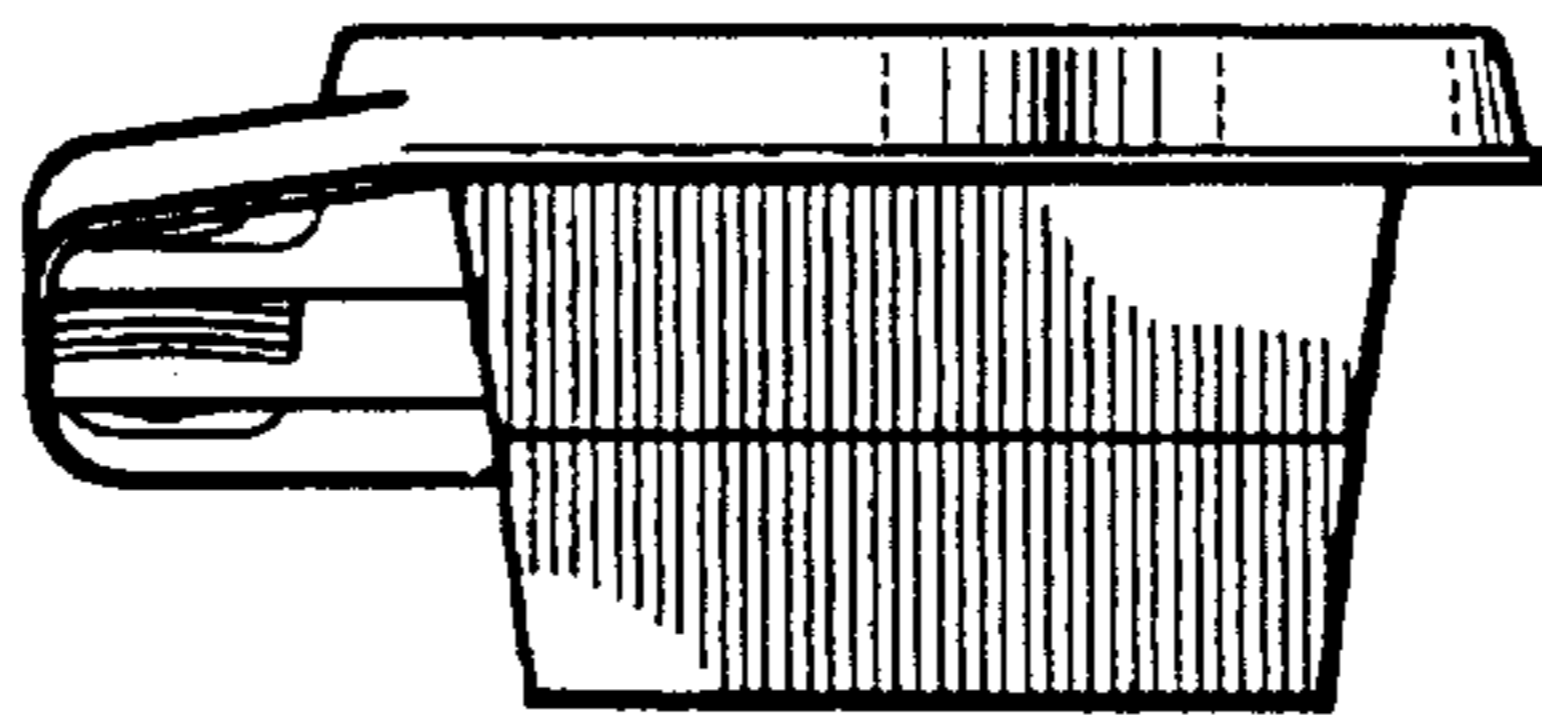


Fig. 3

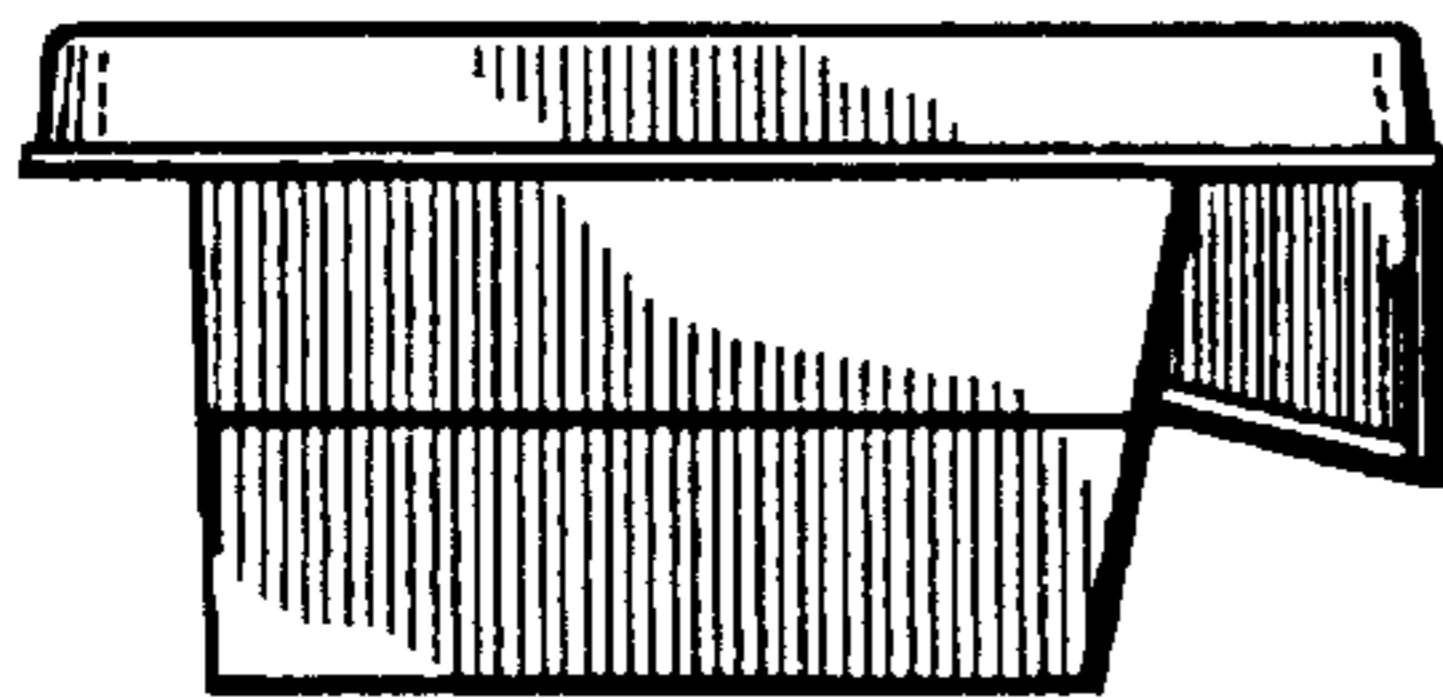


Fig. 4

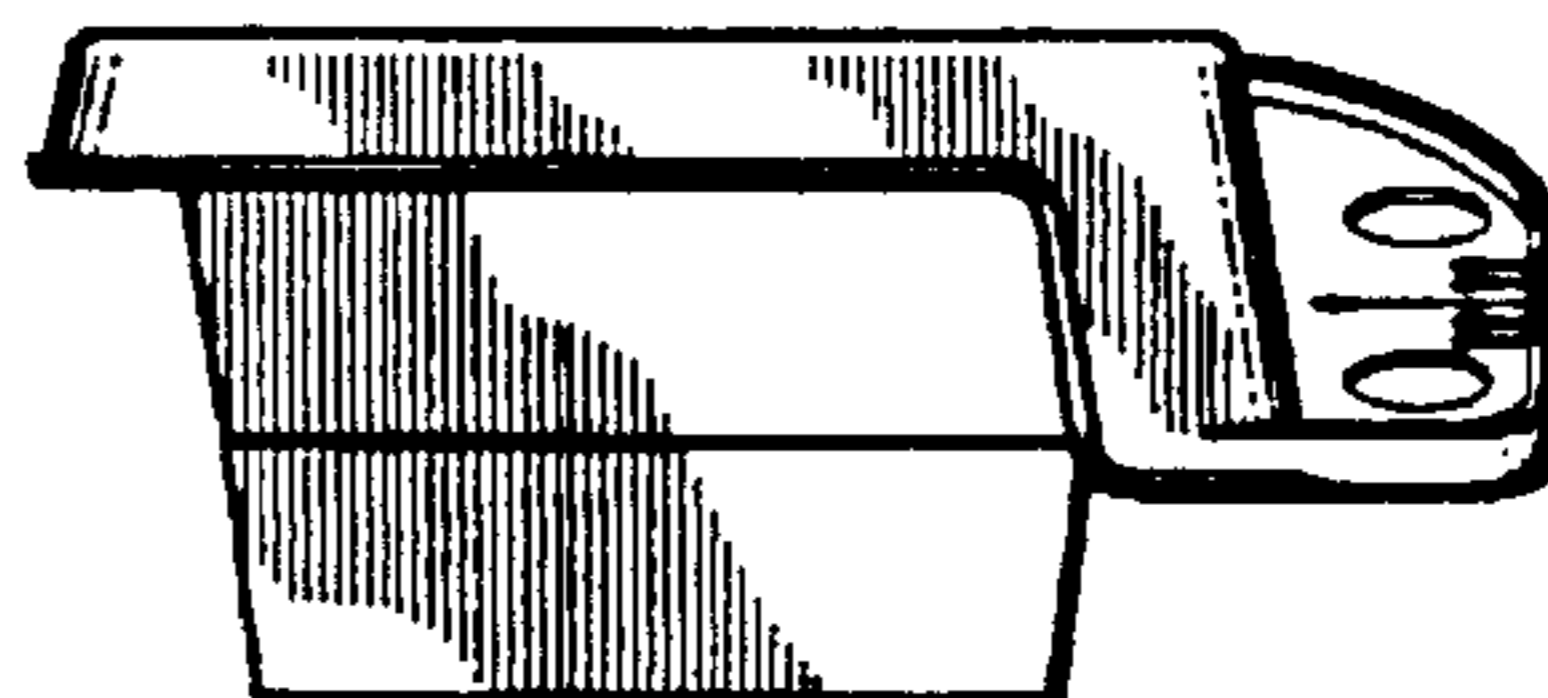


Fig. 5