



US00D372918S

United States Patent [19]

[11] Patent Number: **Des. 372,918**

Manganese et al.

[45] Date of Patent: ****Aug. 20, 1996**

[54] **SPEAKER ENCLOSURE**

[75] Inventors: **Michael A. Manganese**, West Peabody, Mass.; **Maximilian Wolf**, Lustenau, Austria

[73] Assignee: **PictureTel Corporation**, Danvers, Mass.

[**] Term: **14 Years**

[21] Appl. No.: **37,497**

[22] Filed: **Apr. 14, 1995**

[52] U.S. Cl. **D14/214; D14/204**

[58] **Field of Search** D14/204, 207, D14/209-214; 181/144-145, 147-148, 150, 157, 198-199; 381/24, 88, 90-91, 153, 186, 188

[56] **References Cited**

U.S. PATENT DOCUMENTS

D. 250,711	1/1979	Persson et al.	D14/214
4,582,162	4/1986	Katsuno	181/144 X
4,872,527	10/1989	Han	181/148 X
4,942,939	7/1990	Harrison	181/145 X

Primary Examiner—Sandra L. Morris
Assistant Examiner—Nanda Bondade
Attorney, Agent, or Firm—Fish & Richardson P.C.

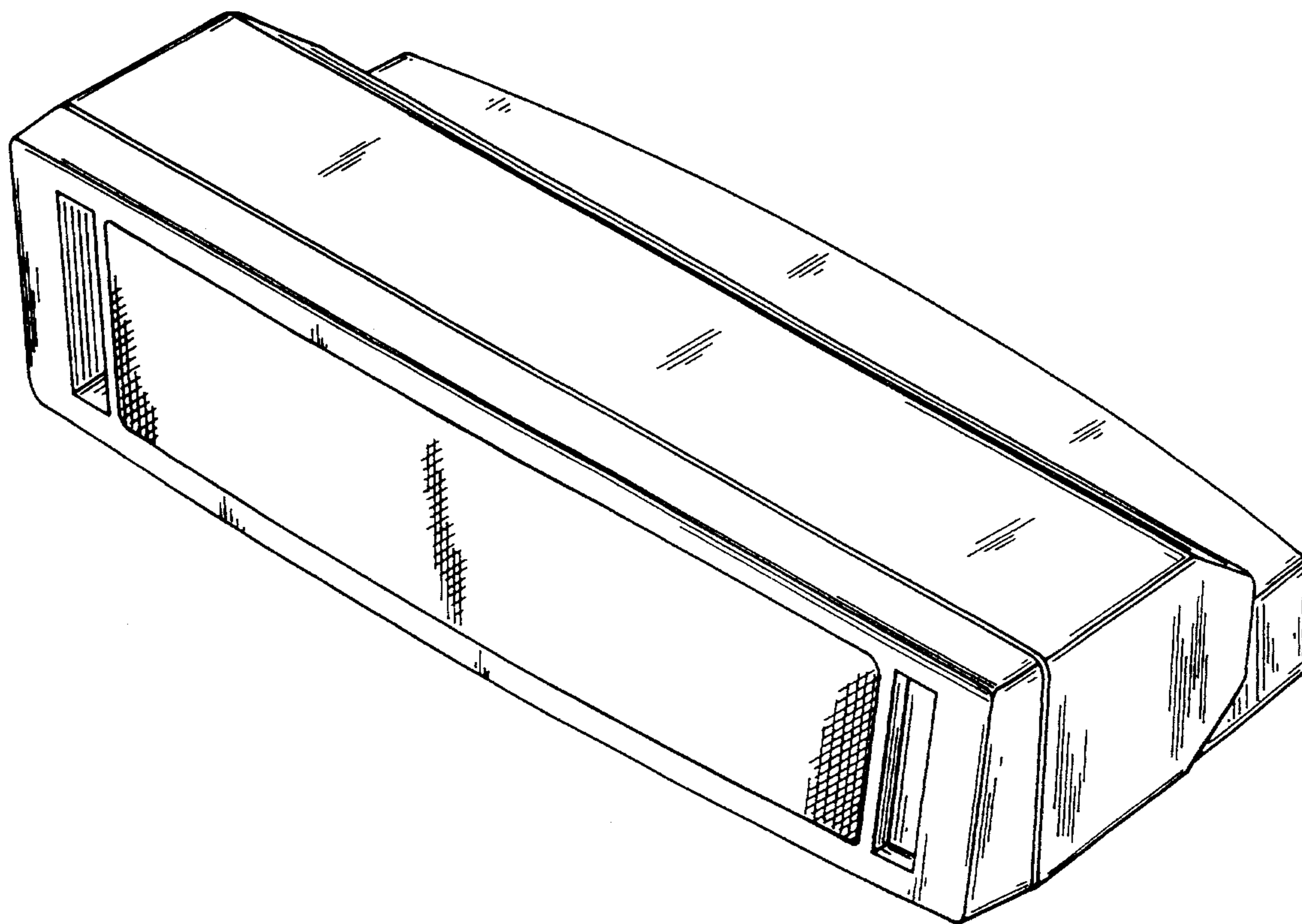
[57] **CLAIM**

The ornamental design for a speaker enclosure, as shown and described.

DESCRIPTION

FIG. 1 is a perspective view of the speaker enclosure showing our new design;
FIG. 2 is a front view of the speaker enclosure shown in FIG. 1;
FIG. 3 is a back view of the speaker enclosure shown in FIG. 1;
FIG. 4 is a left side view of the speaker enclosure shown in FIG. 1;
FIG. 5 is a right side view of the speaker enclosure shown in FIG. 1;
FIG. 6 is a top view of the speaker enclosure shown in FIG. 1; and,
FIG. 7 is a bottom view of the speaker enclosure shown in FIG. 1.

1 Claim, 2 Drawing Sheets



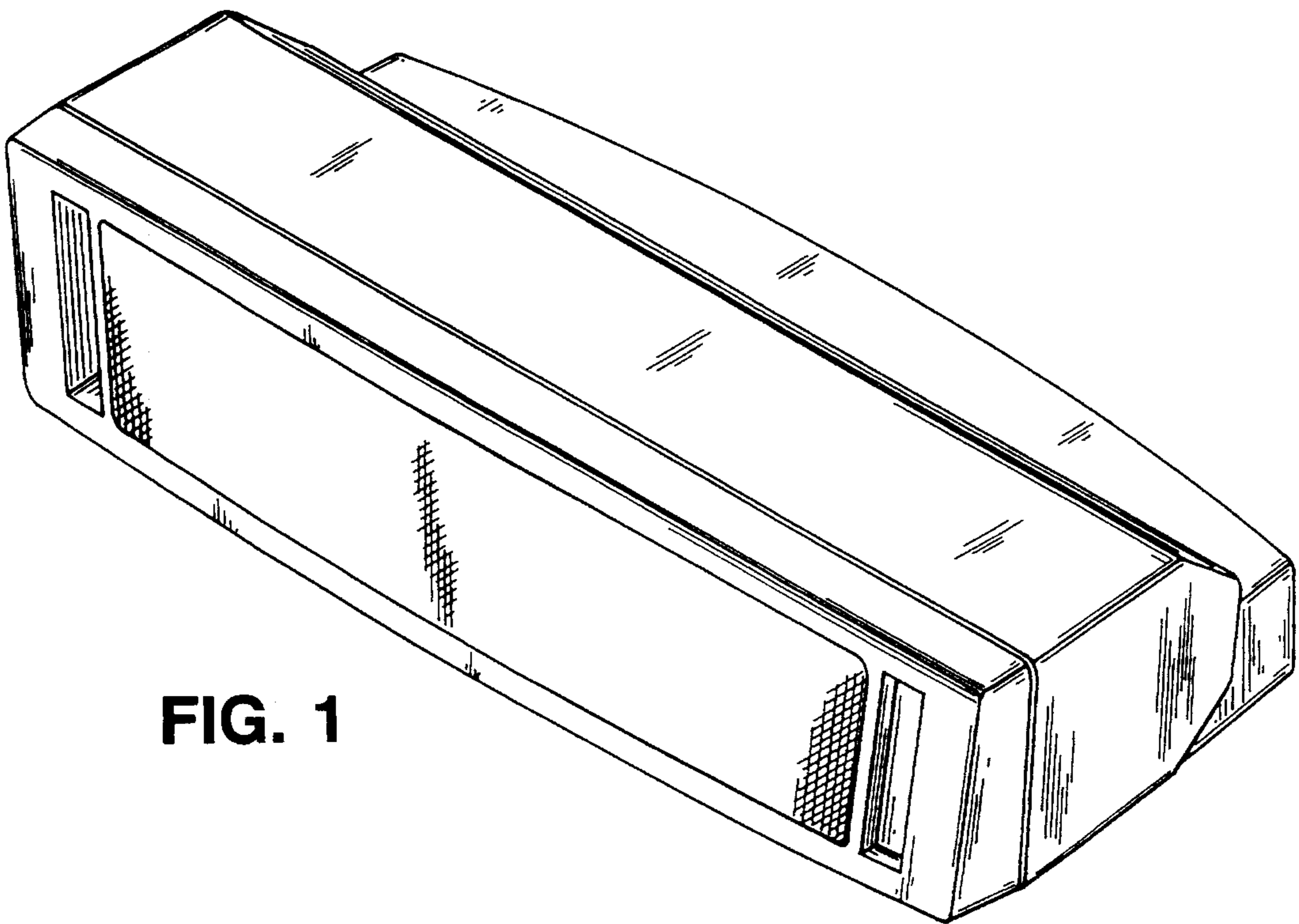


FIG. 1

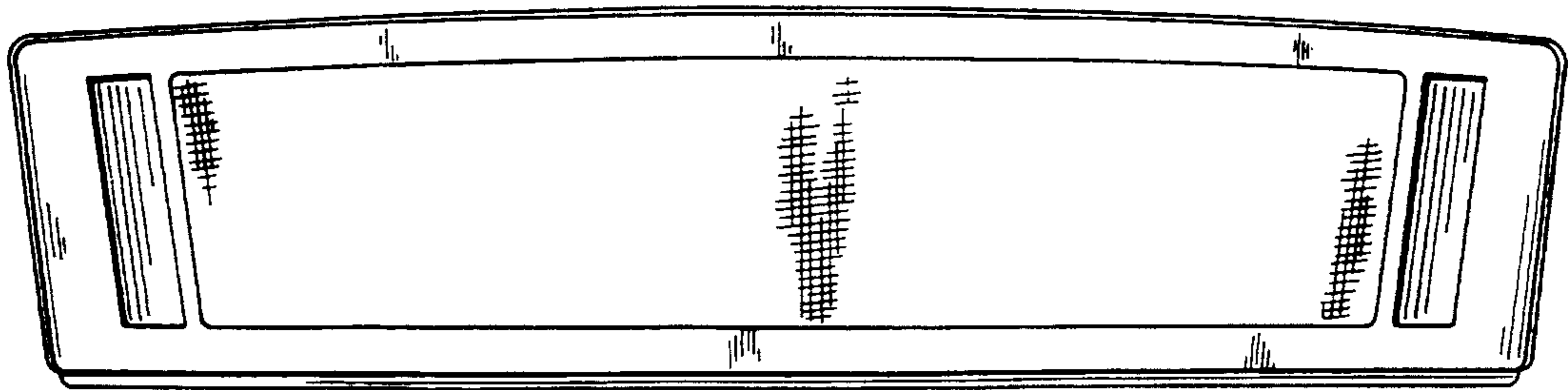


FIG. 2

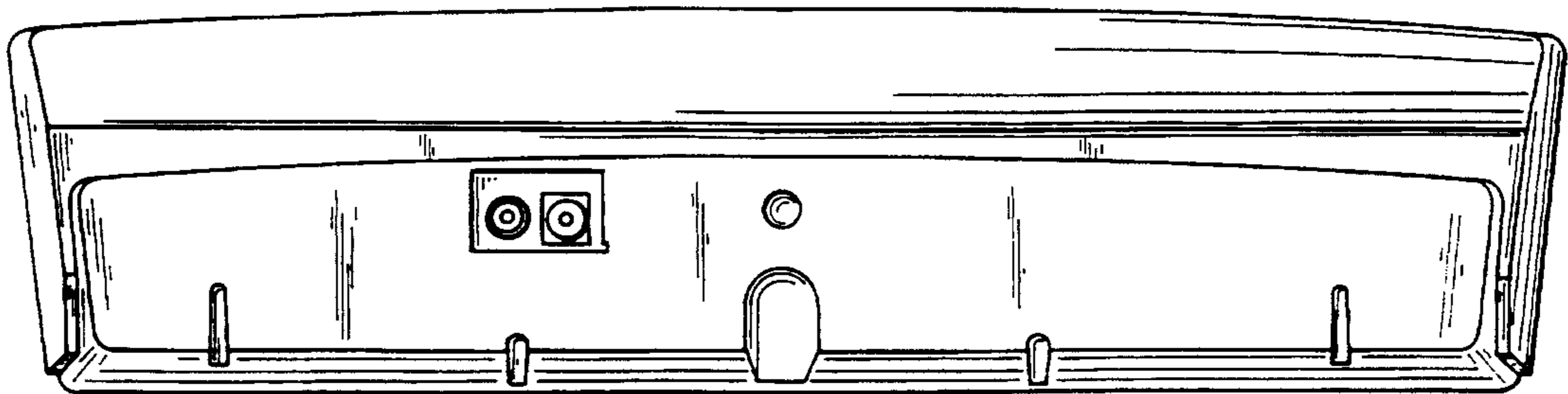


FIG. 3

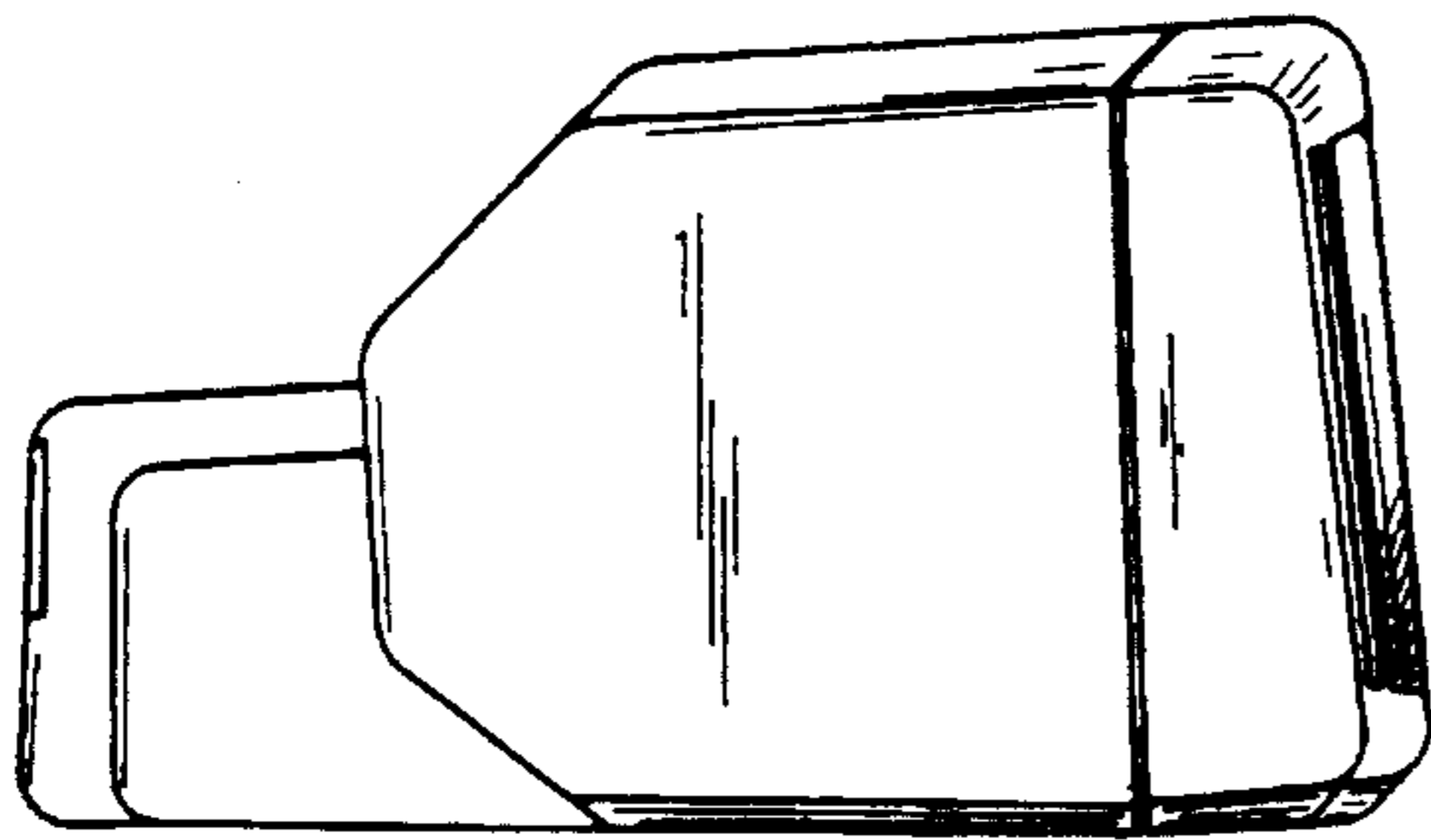


FIG. 4

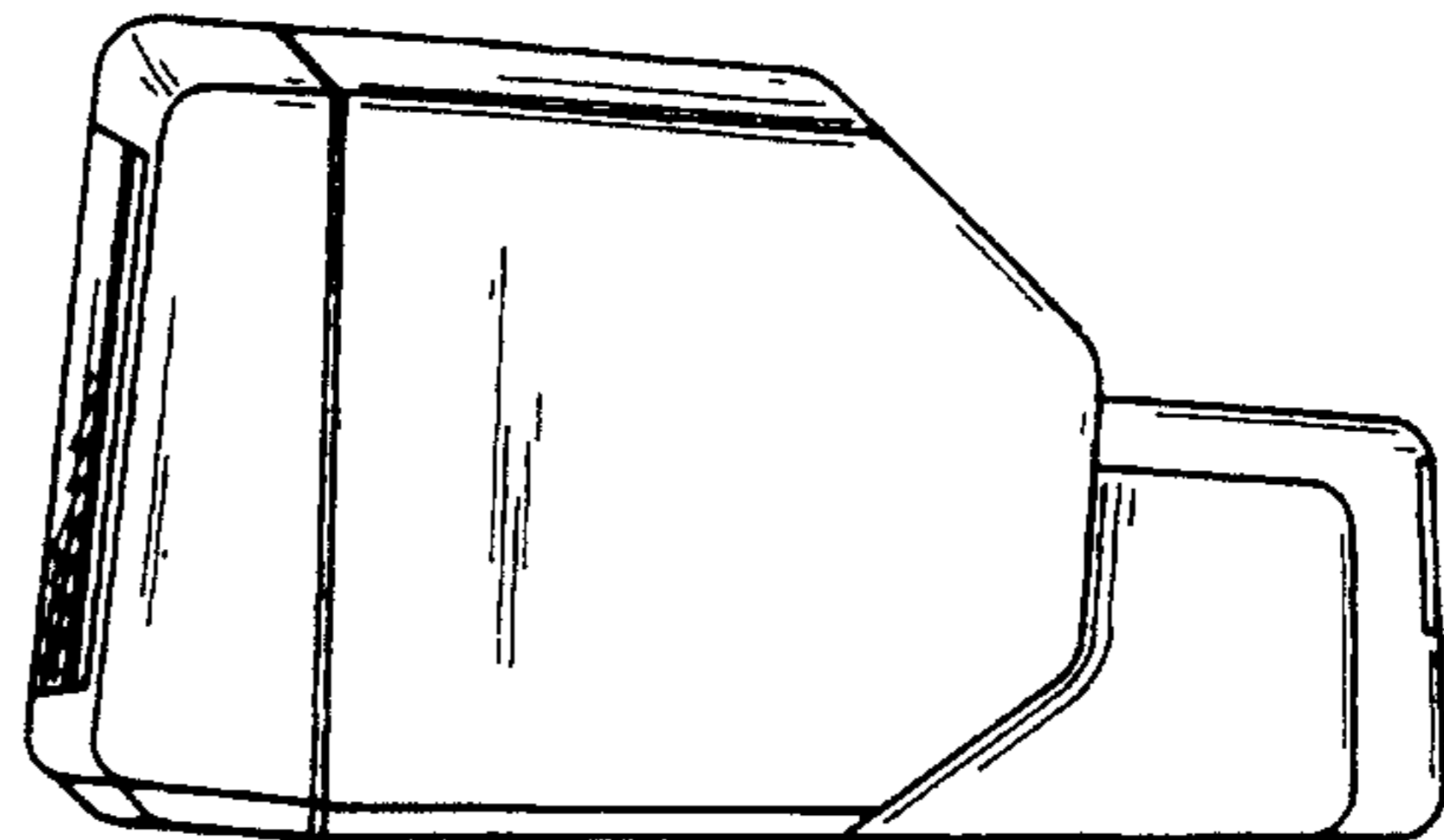


FIG. 5

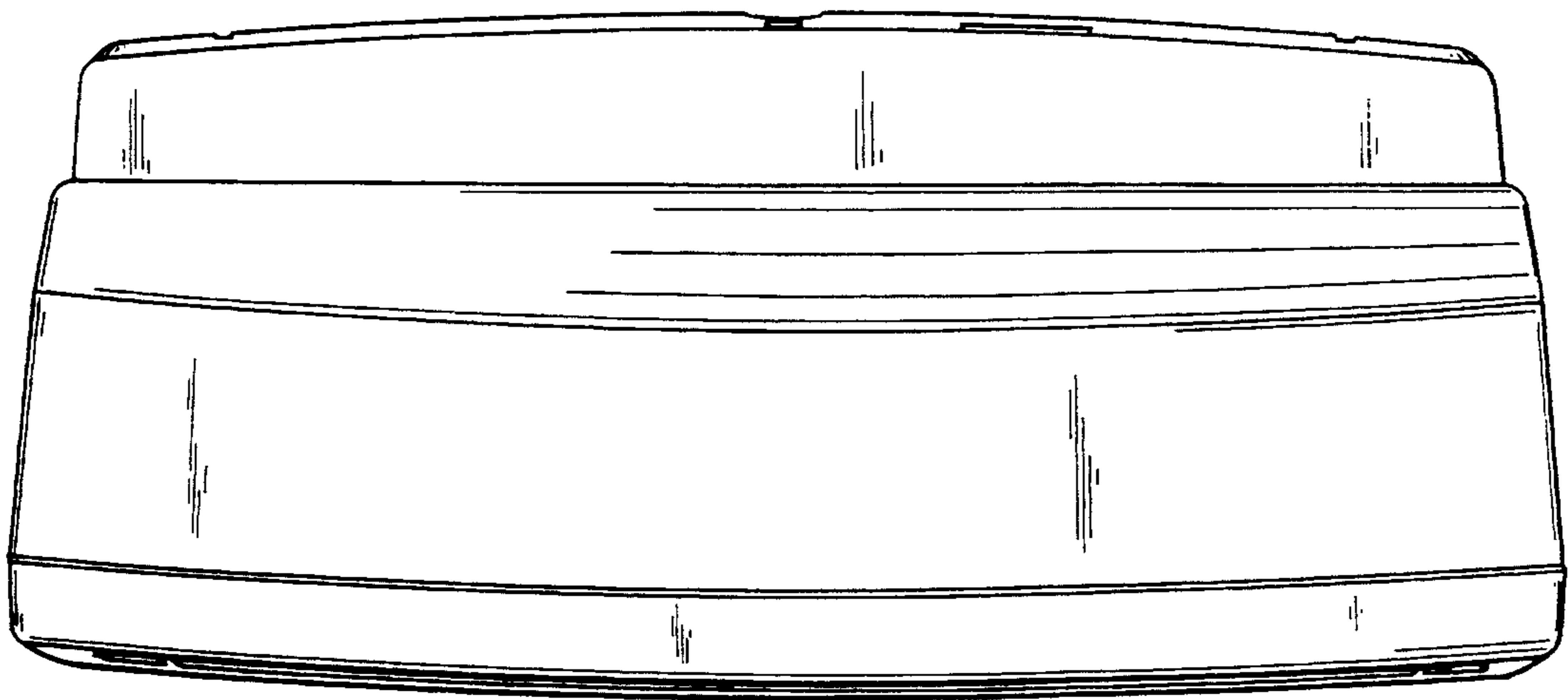


FIG. 6

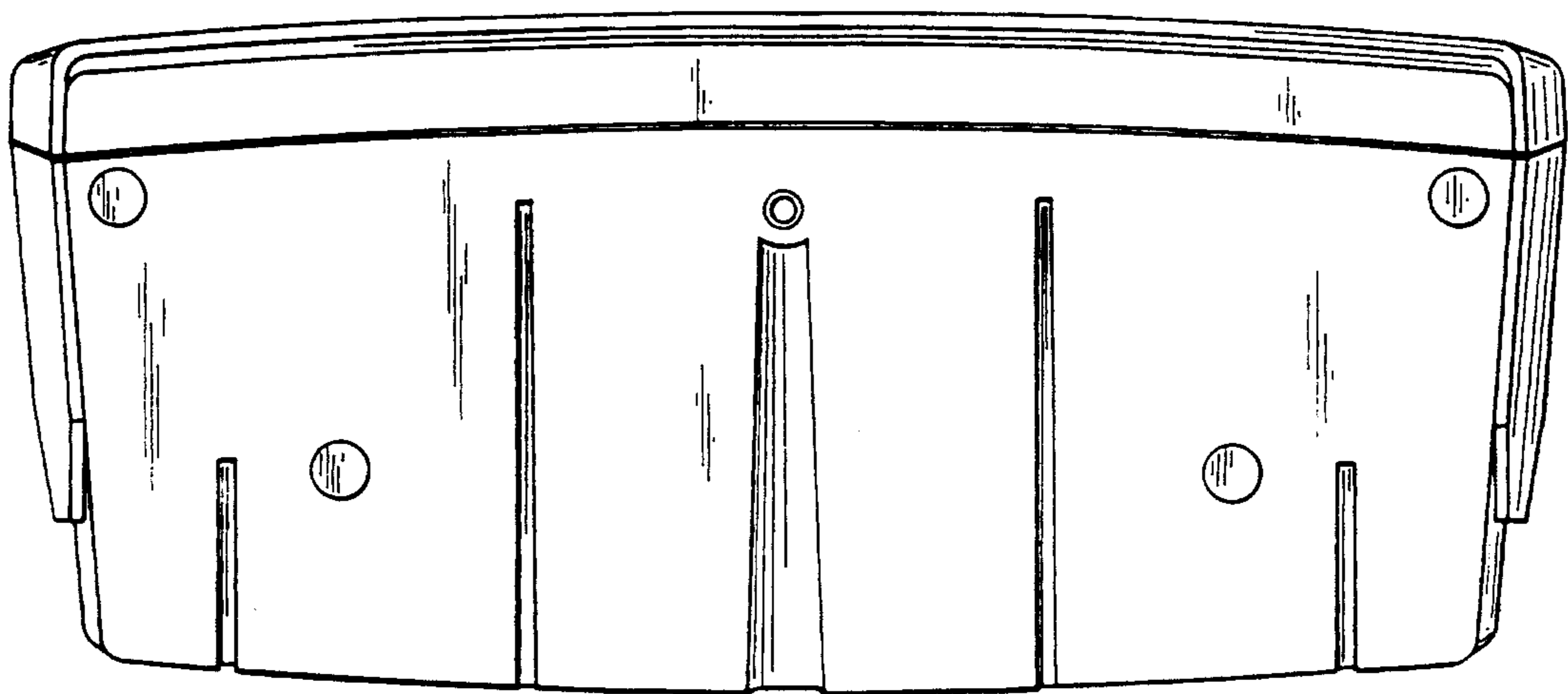


FIG. 7