



US00D372917S

**United States Patent** [19]  
**Kobayashi**

[11] **Patent Number: Des. 372,917**

[45] **Date of Patent: \*\*Aug. 20, 1996**

[54] **LOUDSPEAKER**

[75] Inventor: **Tomohiko Kobayashi**, Tokyo, Japan

[73] Assignee: **Pioneer Kabushiki Kaisha**, Tokyo, Japan

[\*\*] Term: **14 Years**

[21] Appl. No.: **37,128**

[22] Filed: **Apr. 4, 1995**

[30] **Foreign Application Priority Data**

Oct. 7, 1994 [JP] Japan ..... 6-30636

[52] **U.S. Cl.** ..... **D14/214**

[58] **Field of Search** ..... D14/204, 207-214;  
181/144-145, 147-148, 150, 157, 198-199;  
381/24, 88, 90-91, 153, 159, 186

[56] **References Cited**

**U.S. PATENT DOCUMENTS**

D. 266,243 9/1982 Gollehon ..... D14/215  
D. 340,056 10/1993 Caron et al. .... D14/204  
5,218,176 6/1993 Meyer, Jr. .... 181/199

**OTHER PUBLICATIONS**

Stereo Review Apr. 1994, p. 16, Stillwater's car subwoofers KSR120 and KSR100 (bottom left corner).

*Primary Examiner*—Prabhakar G. Deshmukh  
*Assistant Examiner*—Nanda Bondade  
*Attorney, Agent, or Firm*—Armstrong, Westerman, Hattori, McLeland & Naughton

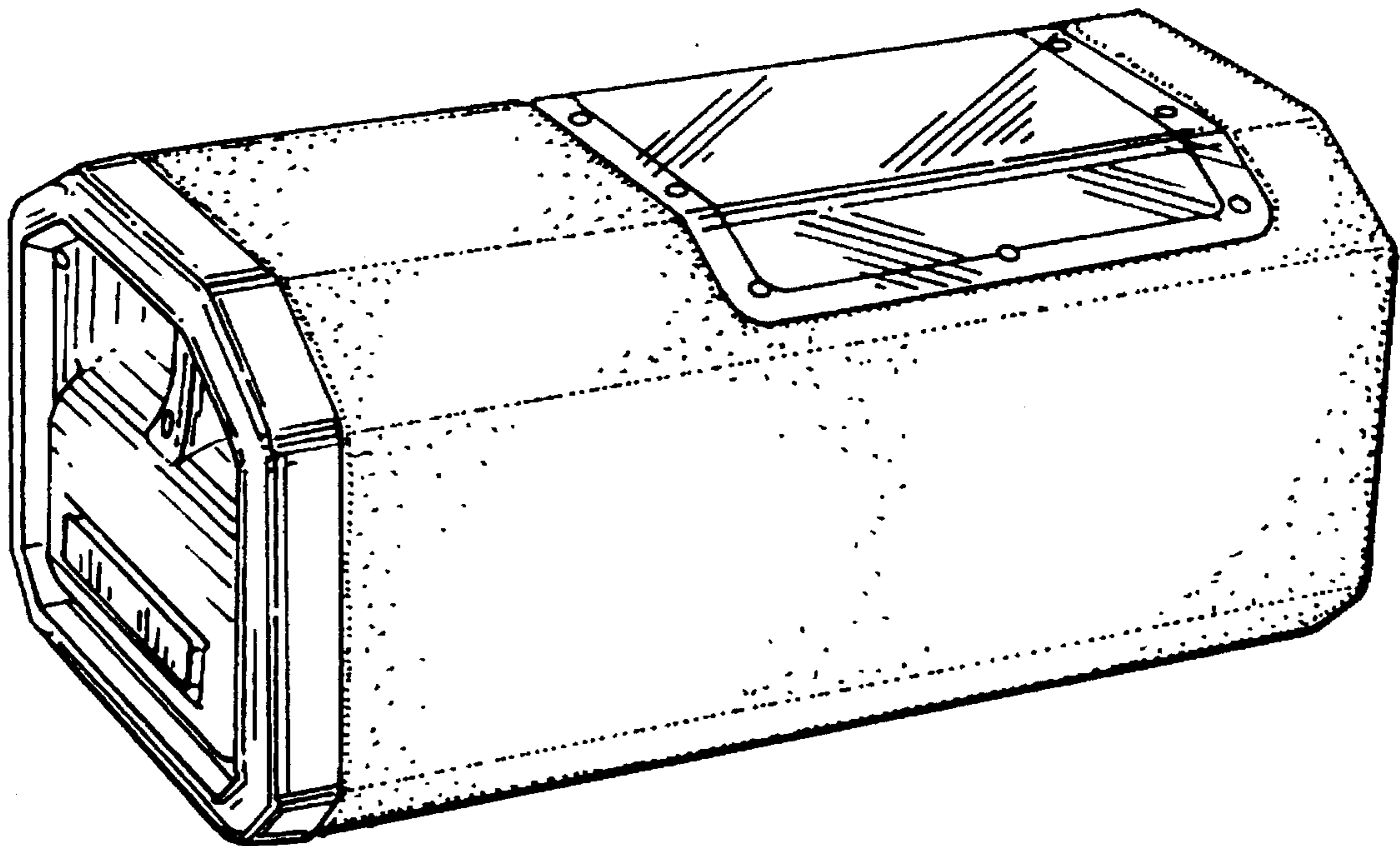
[57] **CLAIM**

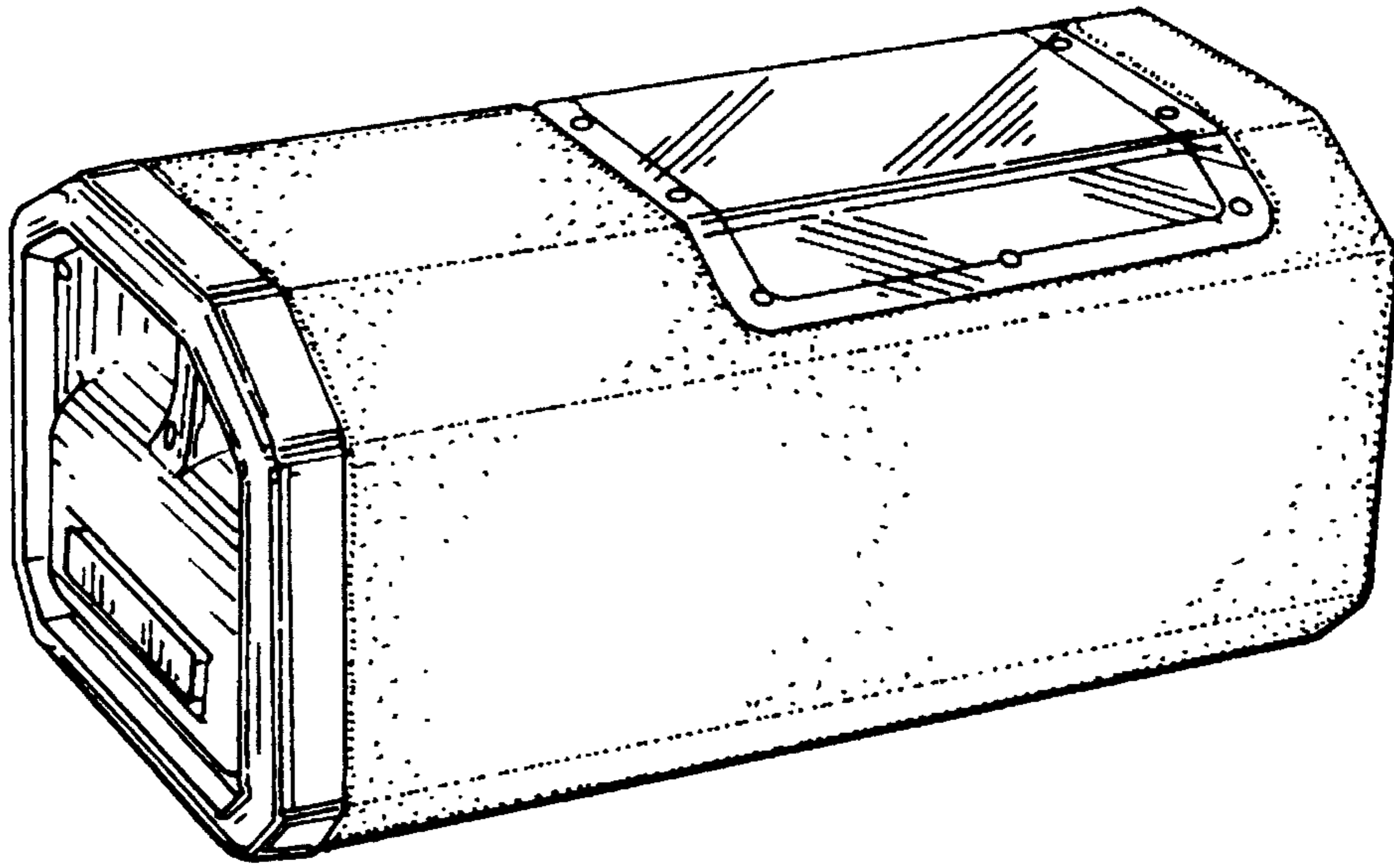
The ornamental design for a loudspeaker, as shown and described.

**DESCRIPTION**

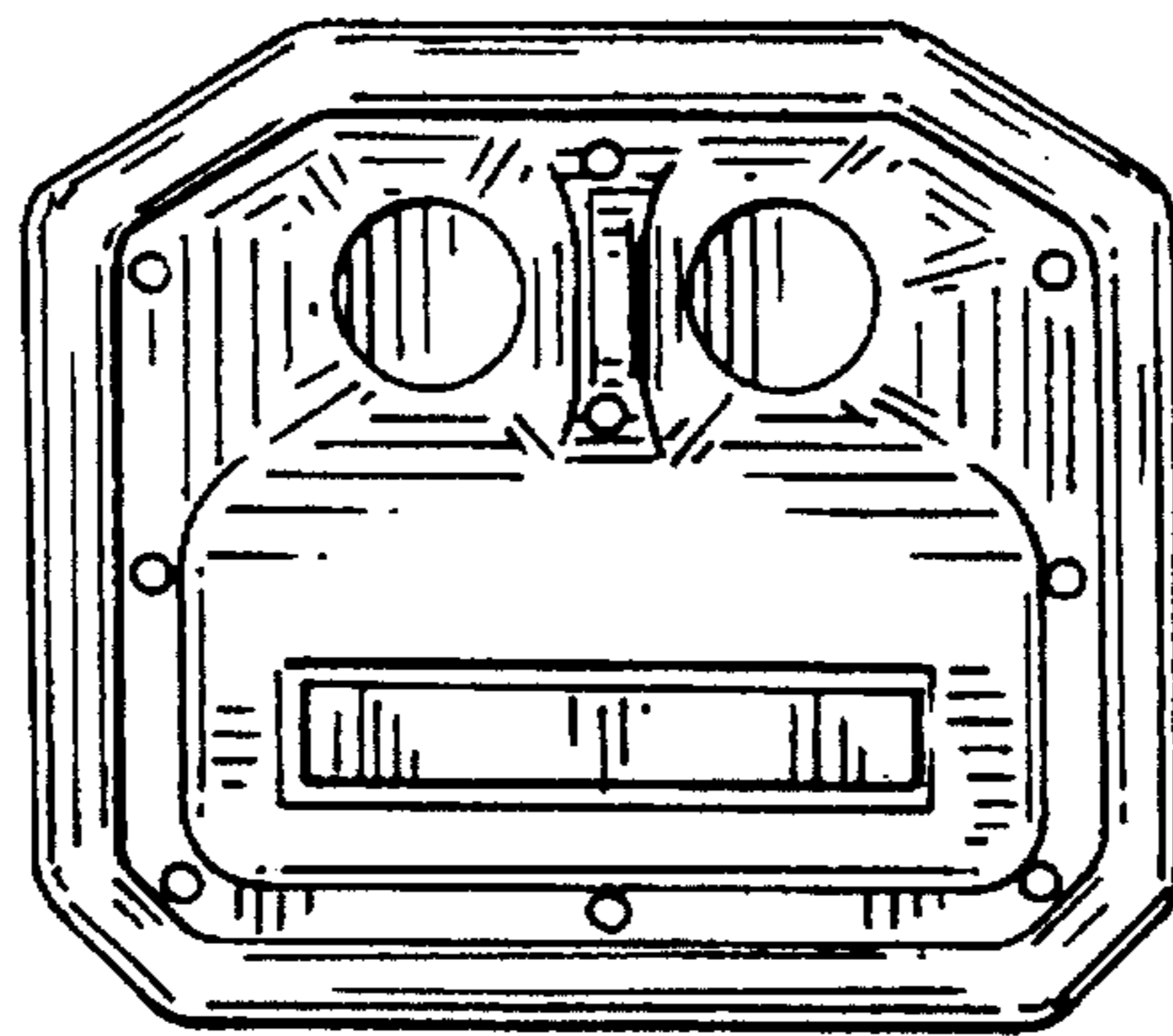
FIG. 1 is a front perspective view of a loudspeaker of my new design;  
FIG. 2 is a front view thereof;  
FIG. 3 is a rear view thereof;  
FIG. 4 is a top view thereof;  
FIG. 5 is a bottom view thereof;  
FIG. 6 is a side view thereof taken from the left side of FIG. 2; and,  
FIG. 7 is a side view thereof taken from the right side of FIG. 2.

**1 Claim, 3 Drawing Sheets**

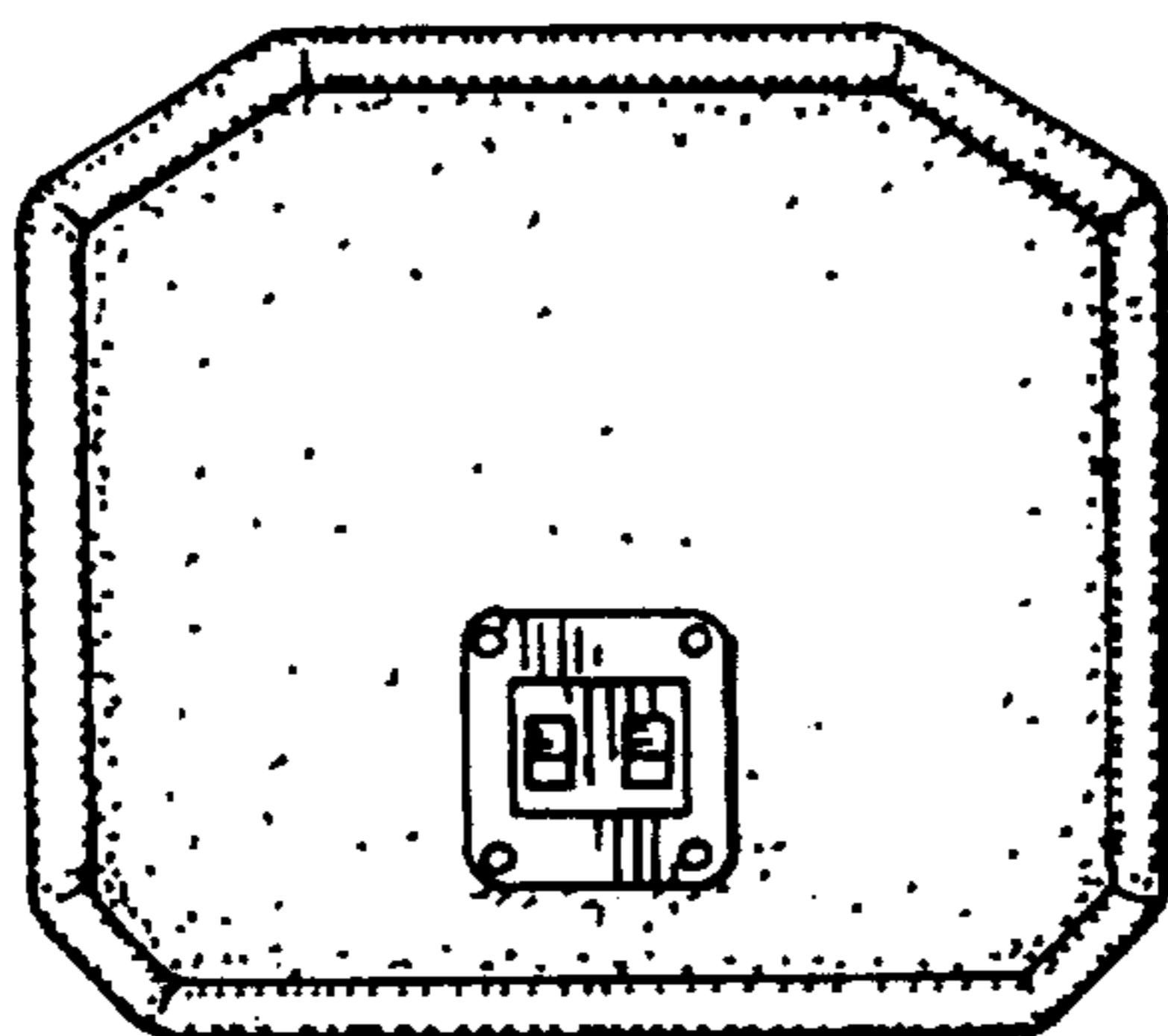




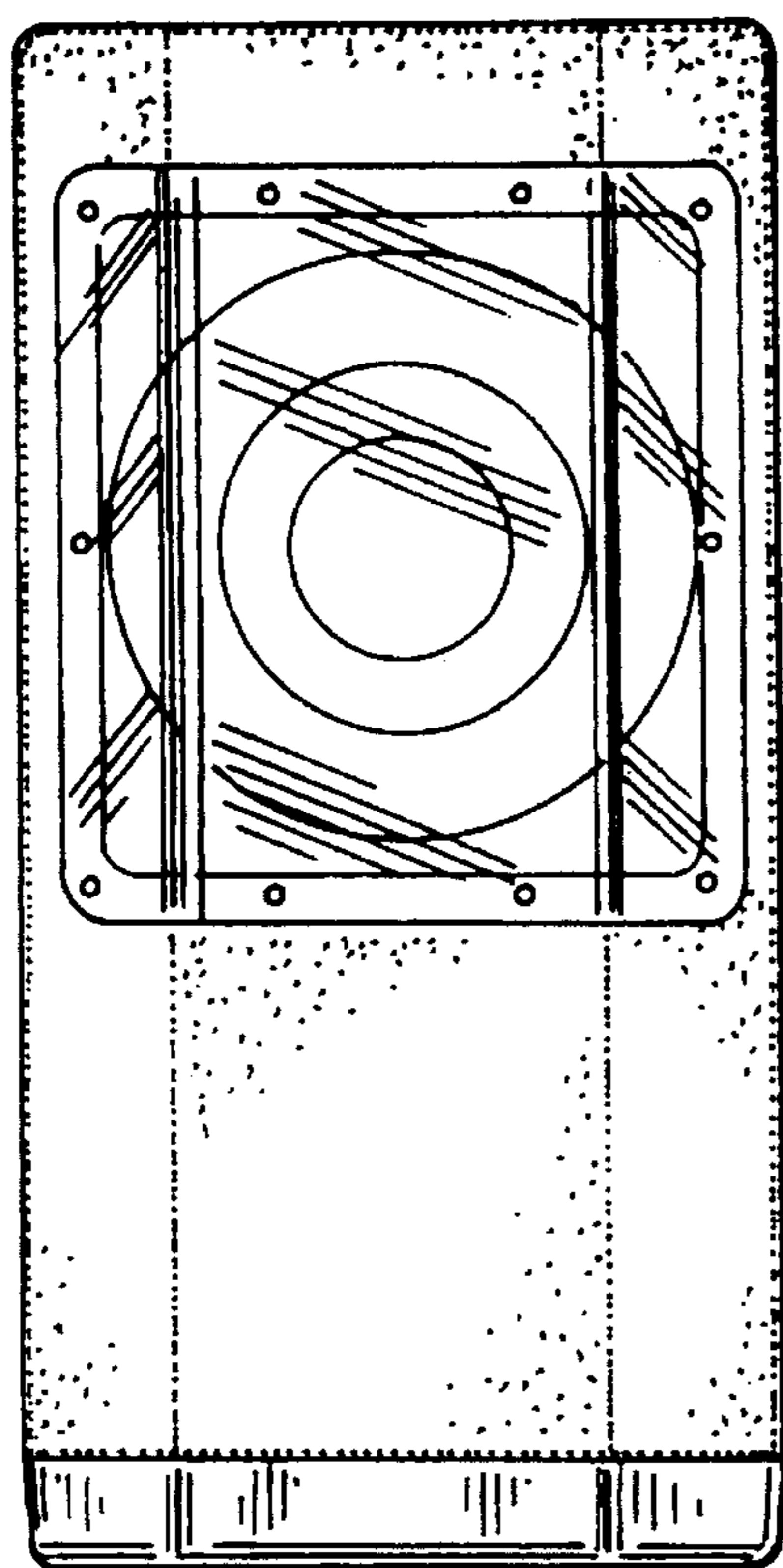
*FIG. 1*



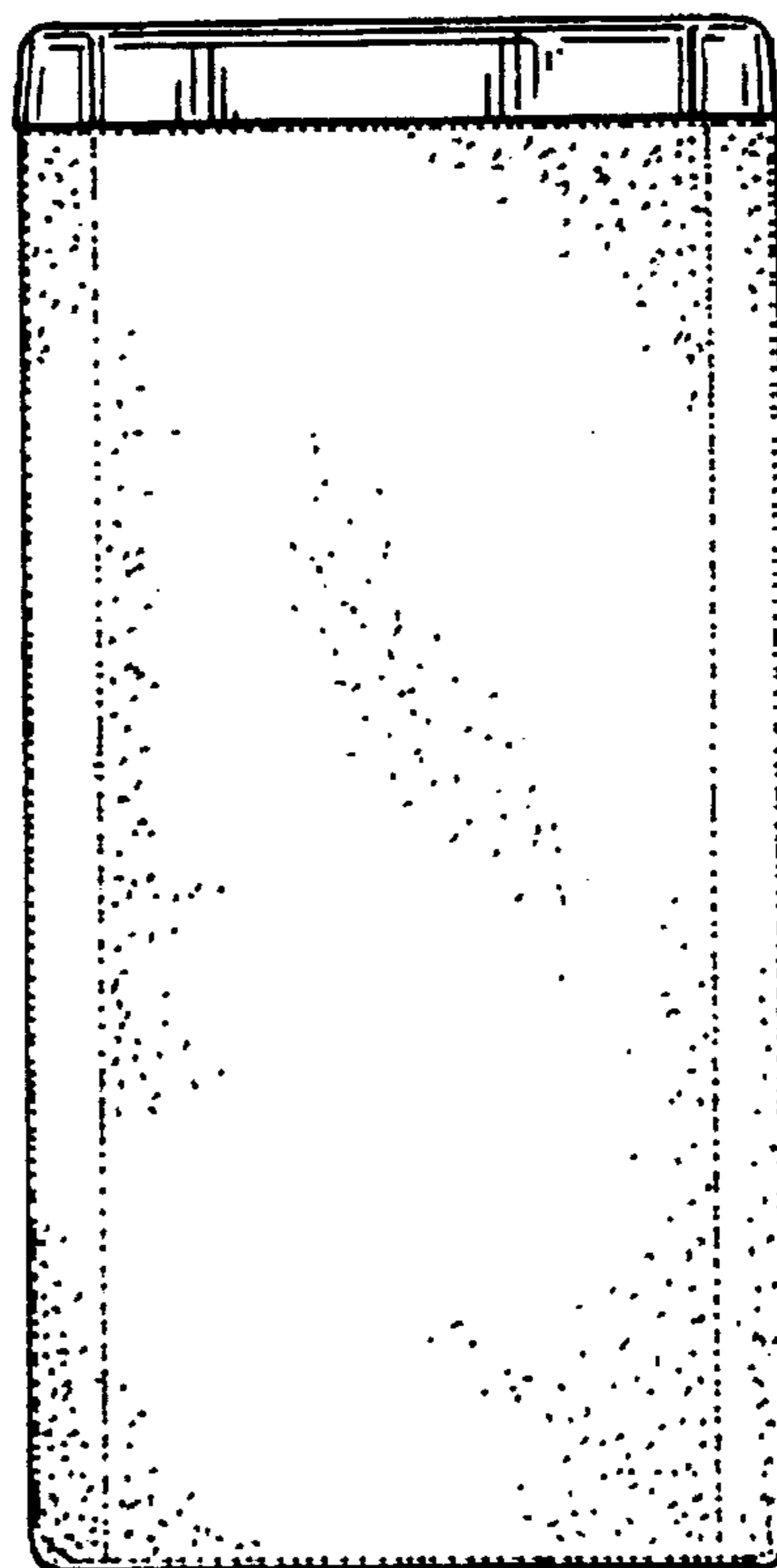
*FIG. 2*



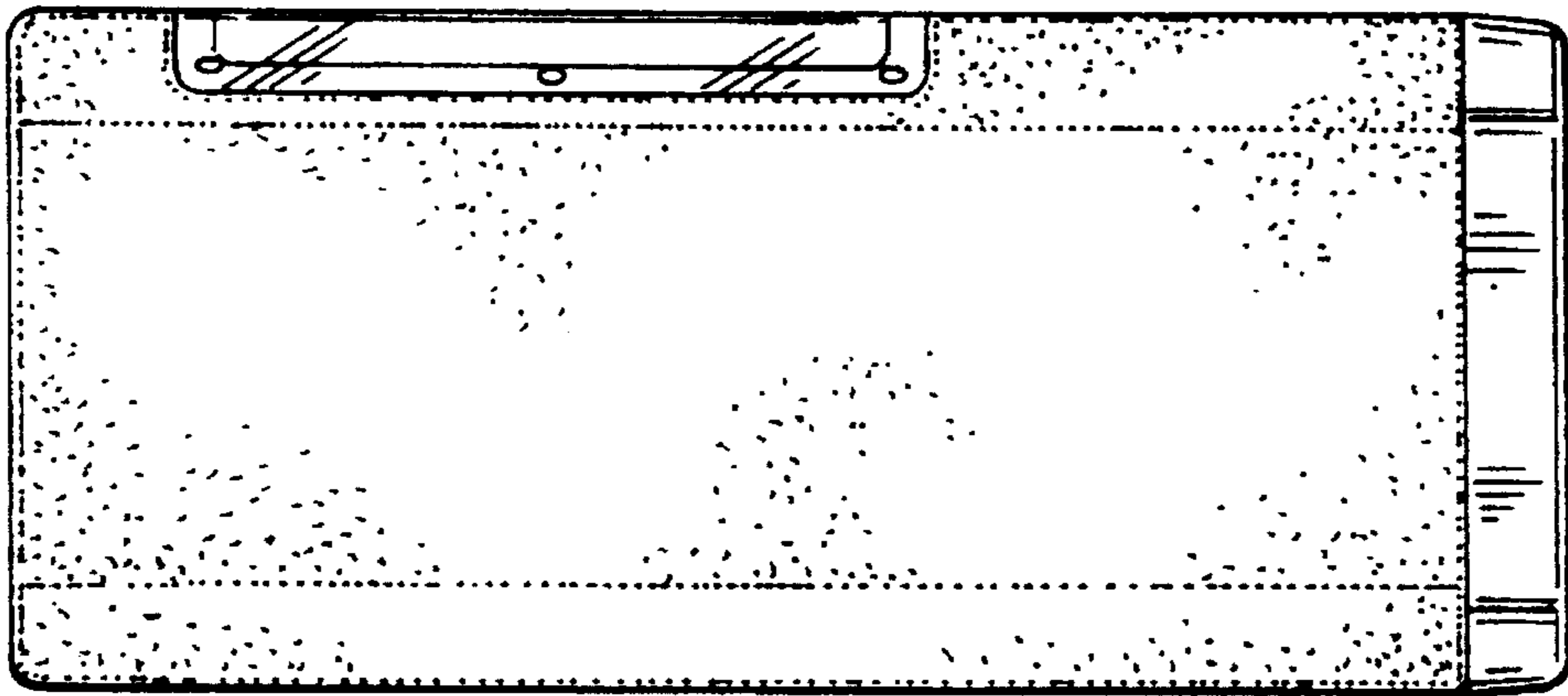
*FIG. 3*



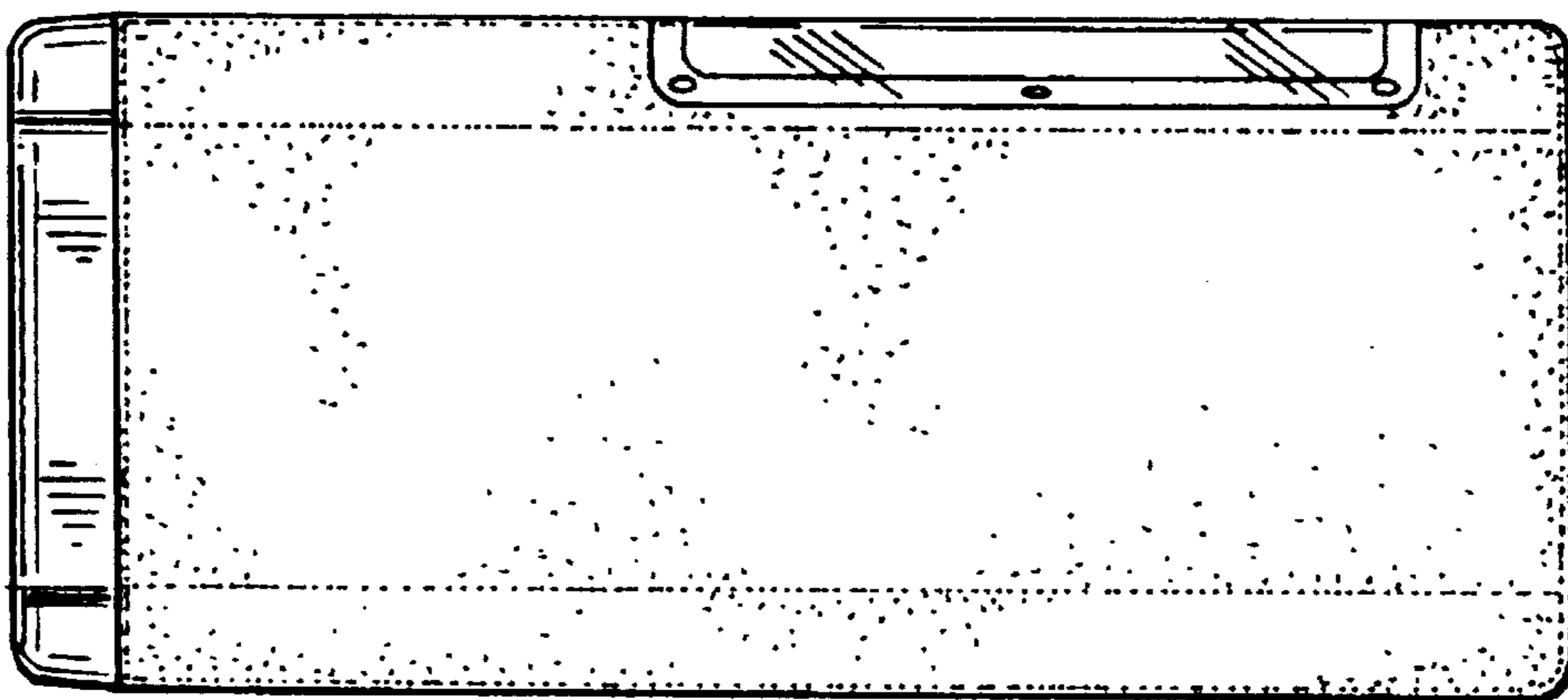
*FIG. 4*



*FIG. 5*



*FIG. 6*



*FIG. 7*