



US00D372909S

United States Patent [19]

Naufel

[11] **Patent Number: Des. 372,909**

[45] **Date of Patent: **Aug. 20, 1996**

[54] **COMPUTER BACKPANEL PORTION**

[75] **Inventor: Naufel C. Naufel, Tempe, Ariz.**

[73] **Assignee: Motorola, Inc., Schaumburg, Ill.**

[**] **Term: 14 Years**

[21] **Appl. No.: 41,841**

[22] **Filed: Jun. 28, 1995**

[52] **U.S. Cl. D14/115**

[58] **Field of Search** D14/100, 106,
D14/107-109, 114, 257; D13/147, 164,
177, 184, 199; 312/223.2; 358/249, 254;
439/532

[56] **References Cited**

U.S. PATENT DOCUMENTS

- D. 287,243 12/1986 Tope D13/164
- D. 294,493 3/1988 Staley D14/257
- D. 294,501 3/1988 Fricke et al. D13/164 X

- D. 310,355 9/1990 Trager D14/114 X
- D. 341,359 11/1993 Falkenberg et al. D14/115
- 5,161,997 11/1992 Defibaugh et al. D13/147 X

Primary Examiner—Freda Nunn
Attorney, Agent, or Firm—S. Kevin Pickens

[57] **CLAIM**

The ornamental design for the computer backpanel portion, as shown and described.

DESCRIPTION

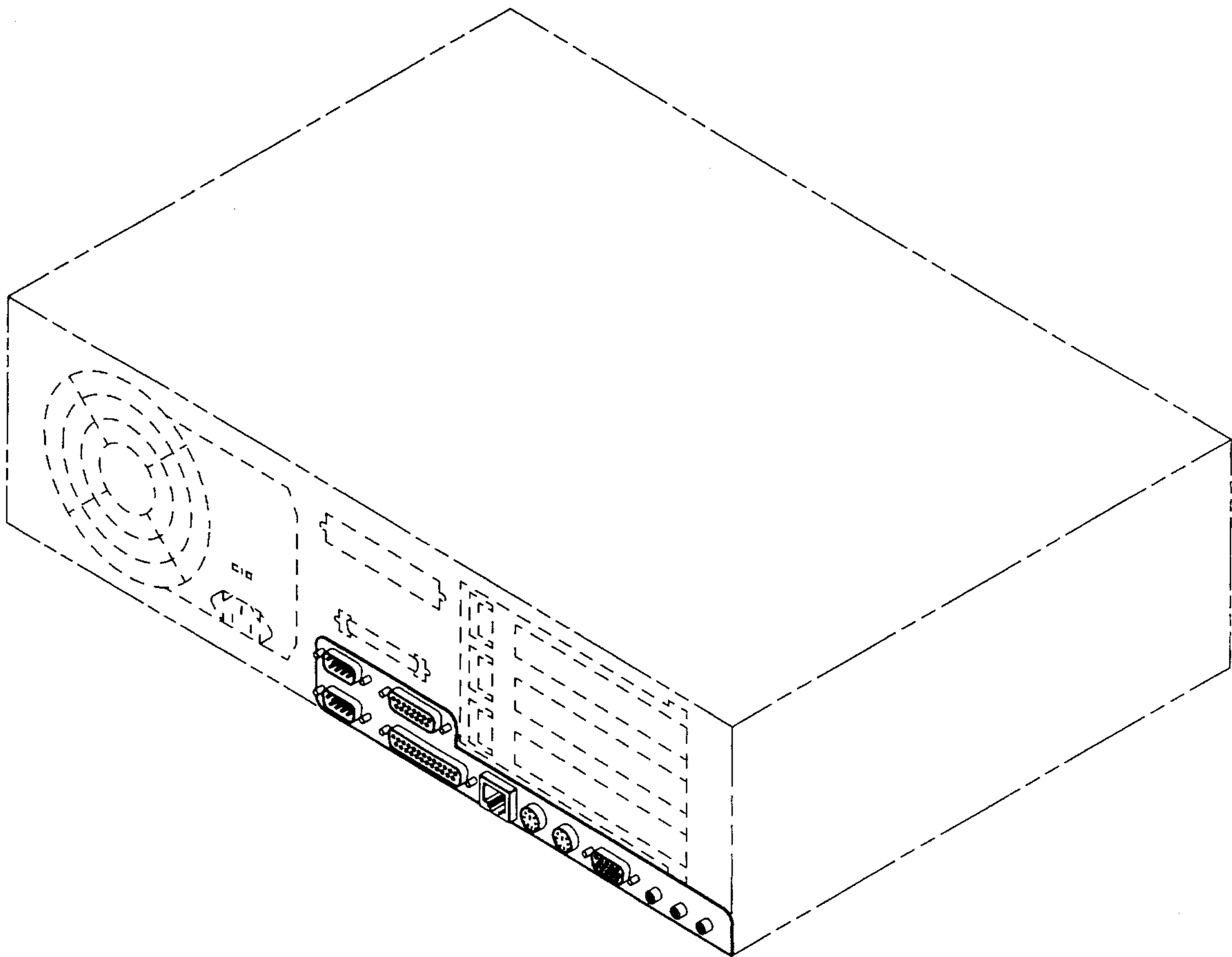
FIG. 1 is an isometric view of a computer back panel portion showing my new design;

FIG. 2 is an enlarged isometric view thereof; and,

FIG. 3 is another isometric view thereof.

A computer is shown in broken lines in FIGS. 1 and 3 for illustrative purposes only and forms no part of the claimed design.

1 Claim, 3 Drawing Sheets



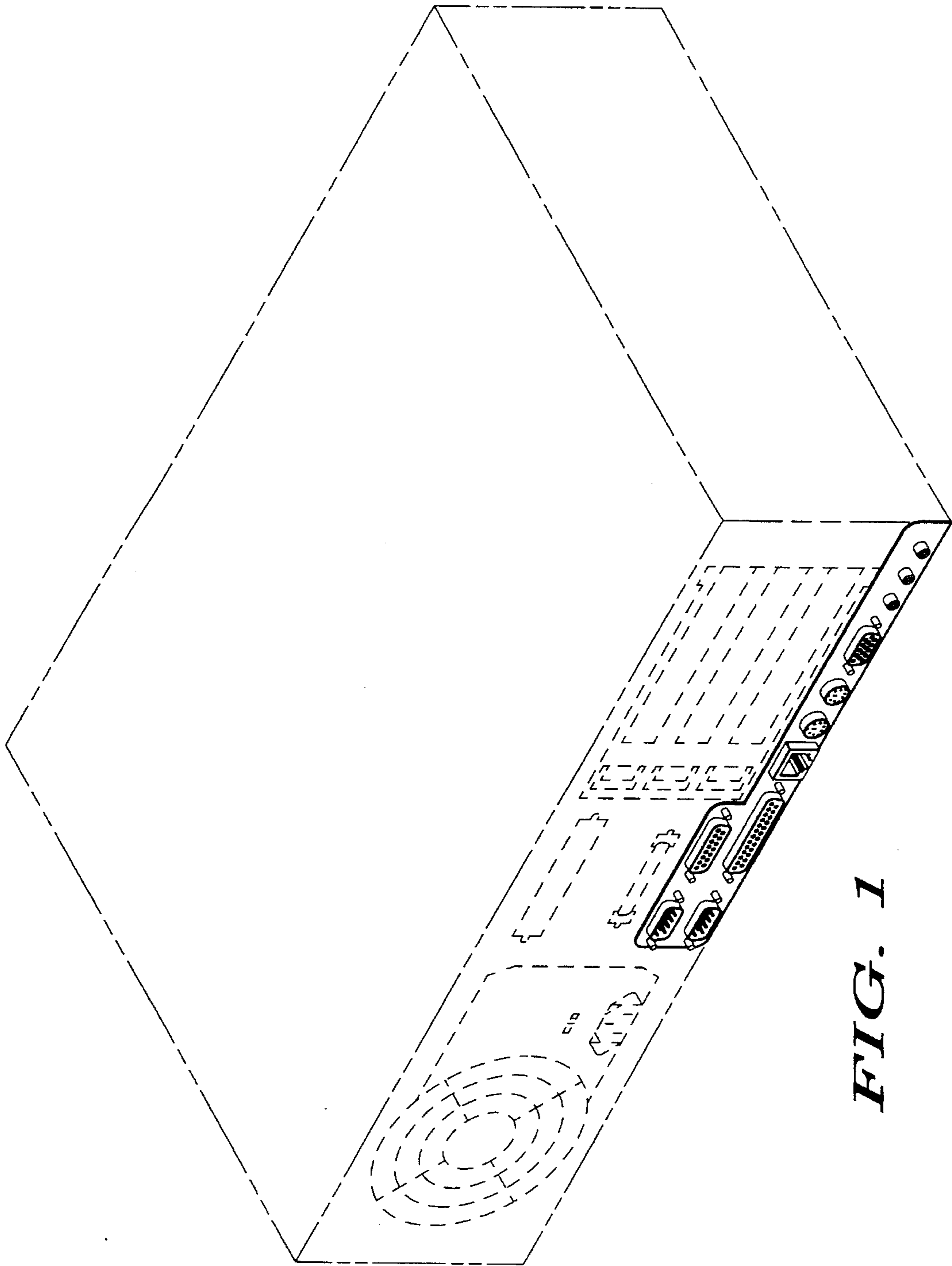


FIG. 1

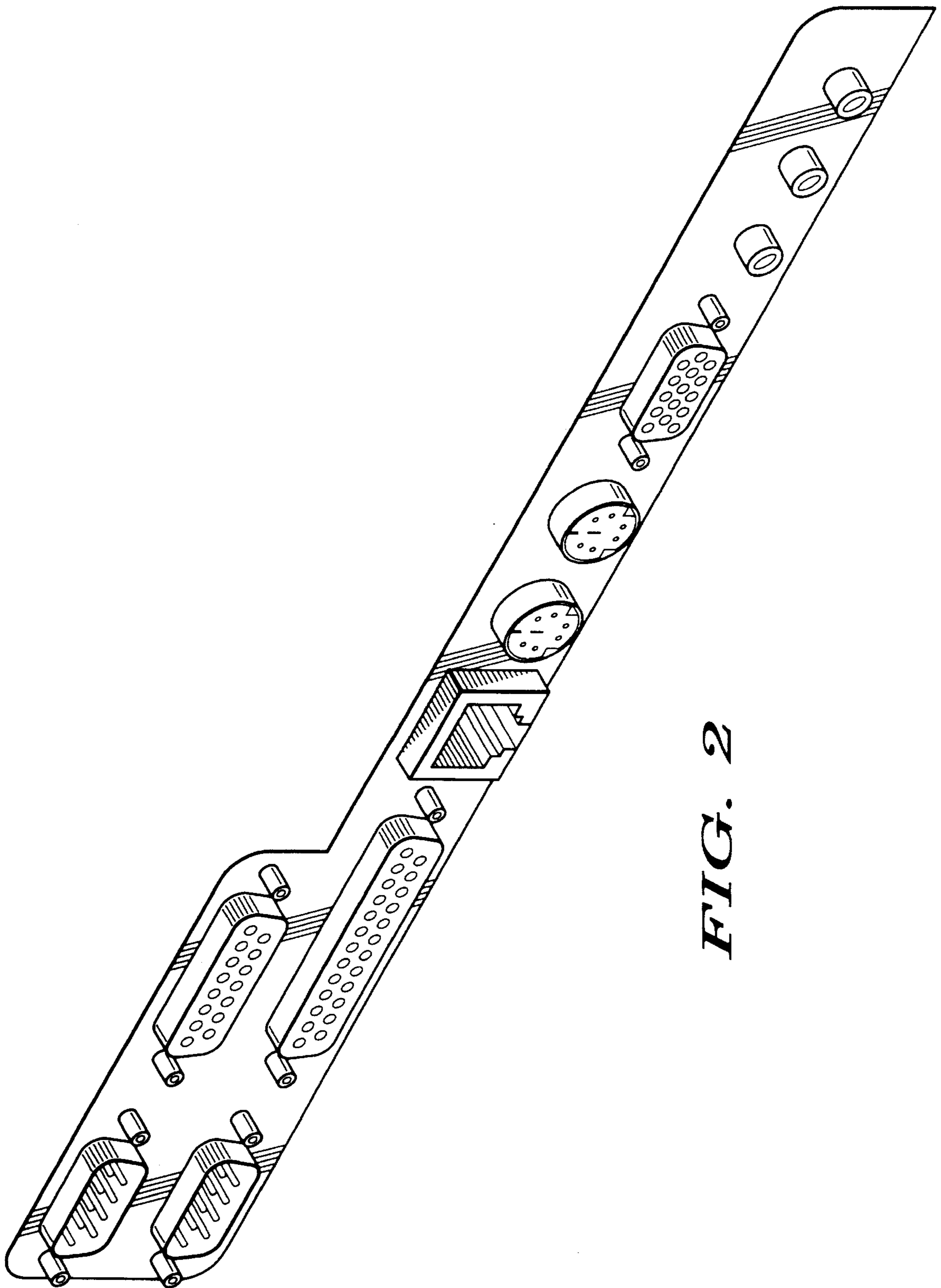


FIG. 2

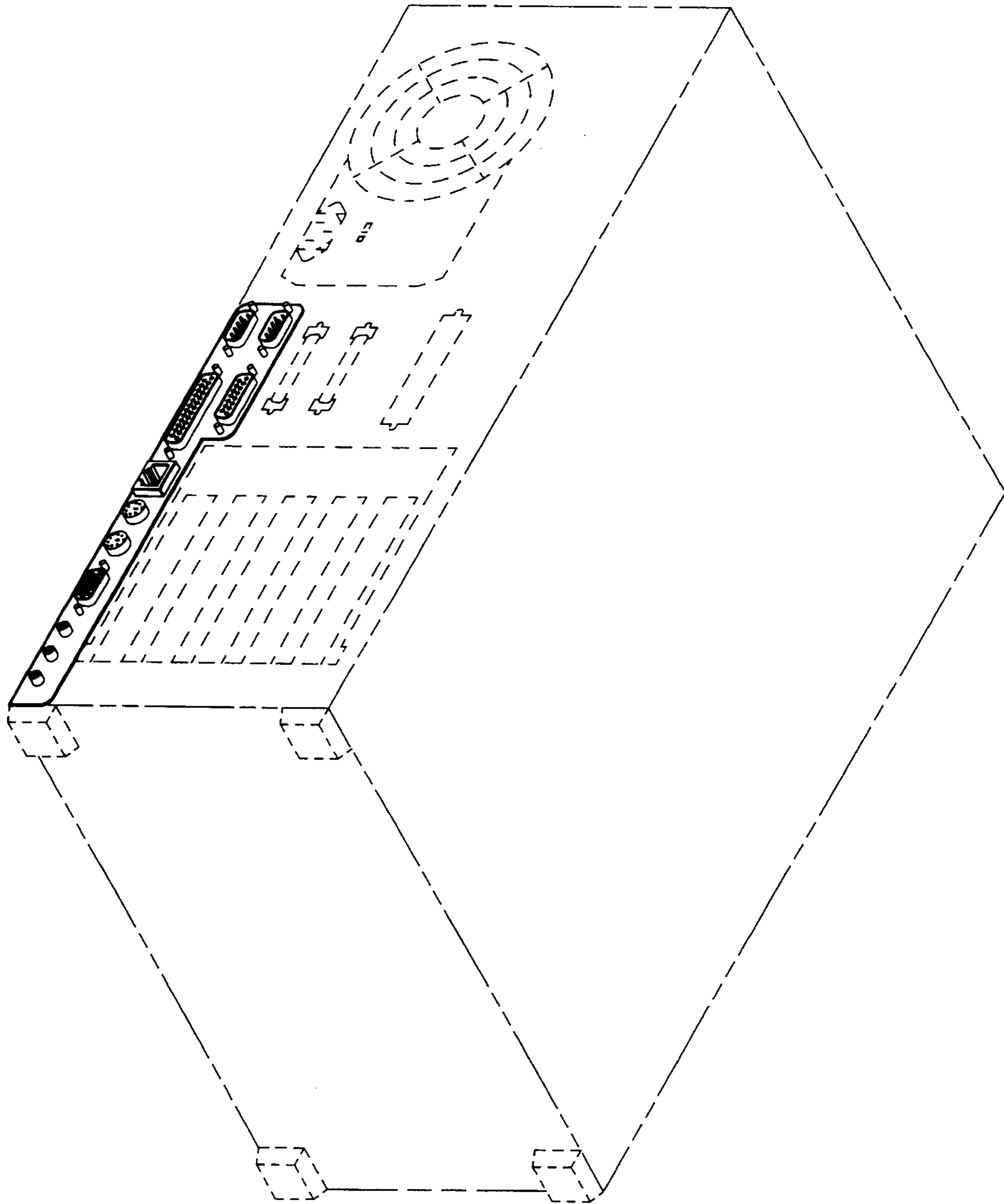


FIG. 3