



US00D372907S

United States Patent [19]
Samborsky

[11] **Patent Number: Des. 372,907**
[45] **Date of Patent: **Aug. 20, 1996**

[54] **SOCCER MOTIF COMPUTER DUST COVER KIT**

D. 361,559 8/1995 Siano, Jr. D14/114
2,492,262 12/1949 Boyden et al. 312/208.3 X
4,922,980 5/1990 Parker 150/165

[76] **Inventor: Virgil L. Samborsky, 5202 Hahn Ave., Fairborn, Ohio 45324**

OTHER PUBLICATIONS

[**] **Term: 14 Years**

MacWarehouse Mar. 1992 p. 69 Basic Needs Nylon Dust Covers.

[21] **Appl. No.: 39,061**

Primary Examiner—Freda Nunn
Attorney, Agent, or Firm—Biebel & French

[22] **Filed: May 19, 1995**

[52] **U.S. Cl. D14/114**

[57] **CLAIM**

[58] **Field of Search** D14/114; D2/615; D3/274; D6/610; D9/165, 307, 417; D21/2, 7, 11, 14, 204; 150/154, 158, 164, 165; 181/200, 201; 206/315.1, 315.4, 320, 586; 312/208.3

The ornamental design for a soccer motif computer dust cover kit, as shown and described.

DESCRIPTION

[56] **References Cited**

FIG. 1 is a perspective view of a soccer motif computer dust cover kit in accordance with my invention;
FIG. 2 is a top view thereof;
FIG. 3 is a front view thereof;
FIG. 4 is a back view thereof;
FIG. 5 is a left-hand side view thereof;
FIG. 6 is a right-hand side view thereof; and,
FIG. 7 is a bottom view thereof.
The broken lines are shown in the figures for illustrative purposes only and form no part of the claimed design.

U.S. PATENT DOCUMENTS

D. 264,228	5/1982	Hanzawa	D21/13
D. 265,561	7/1982	Cottrell	D14/114
D. 291,203	8/1987	Silver	D14/114
D. 319,218	8/1991	Sakaguchi et al.	D14/100
D. 323,929	2/1992	Hodson	D3/30.1
D. 349,893	8/1994	Bennett	D14/114
D. 357,958	5/1995	Audero, Jr.	D21/204
D. 361,558	8/1995	Siano, Jr.	D14/114

1 Claim, 3 Drawing Sheets

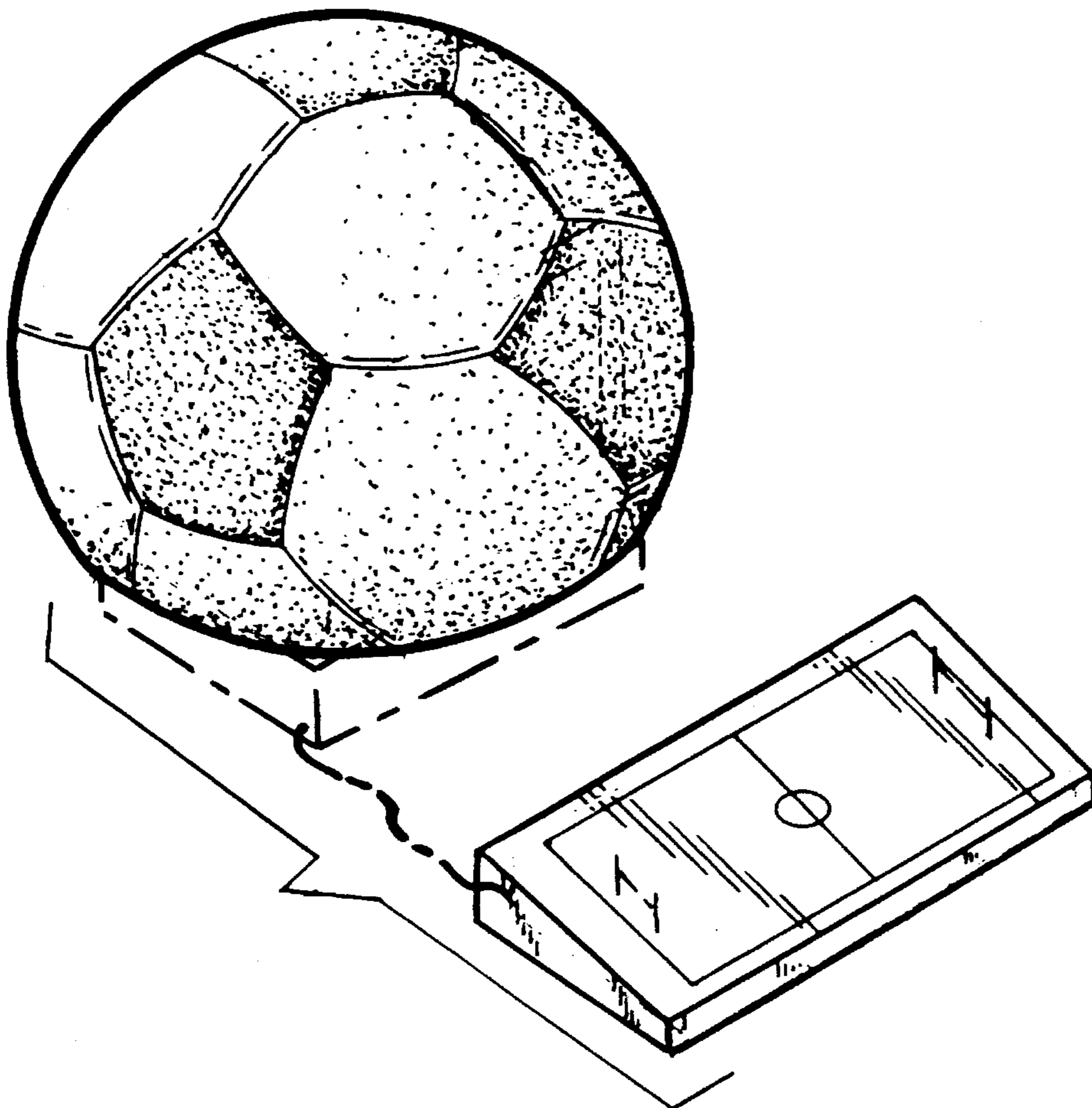


FIG - 1

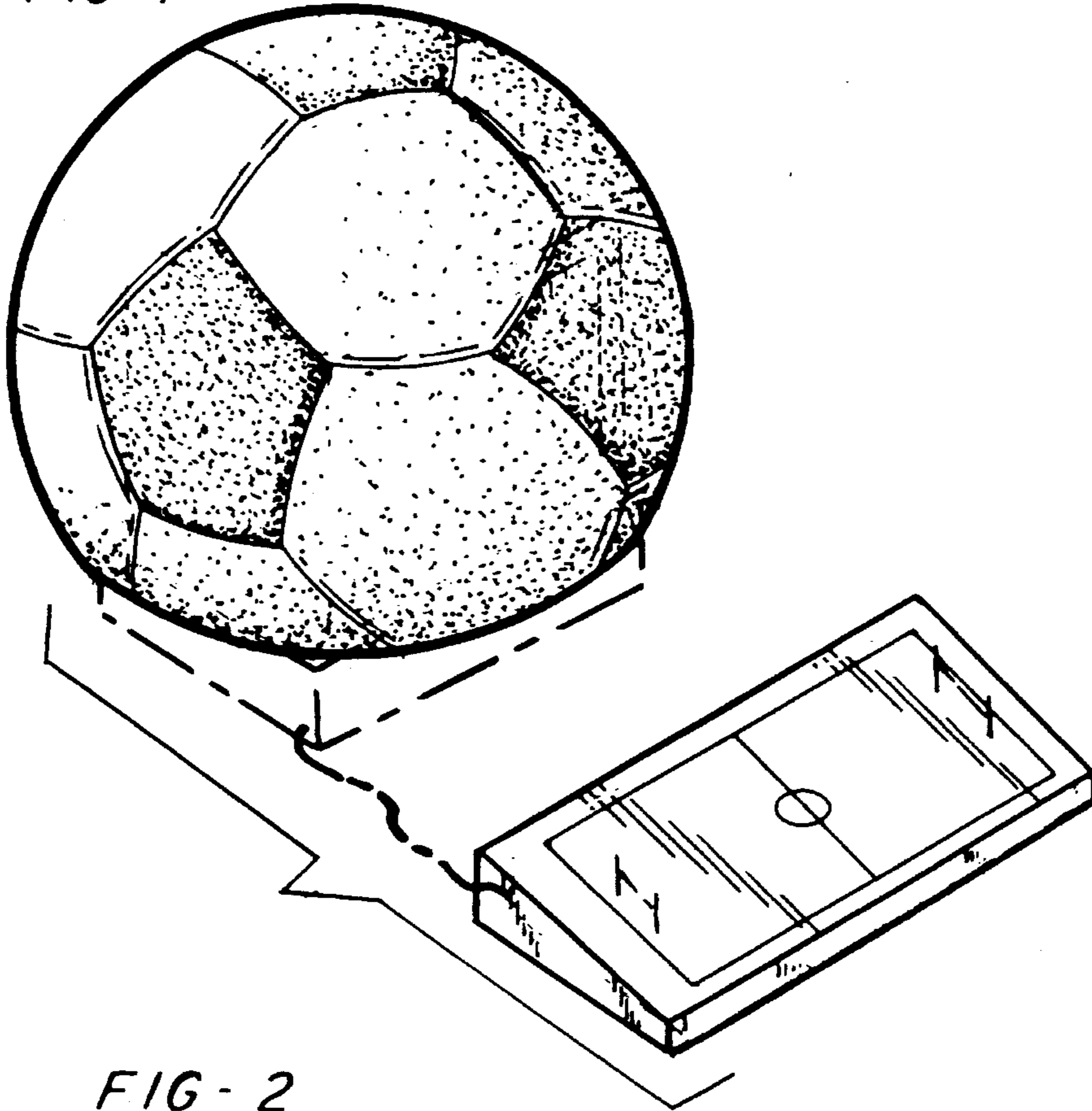


FIG - 2

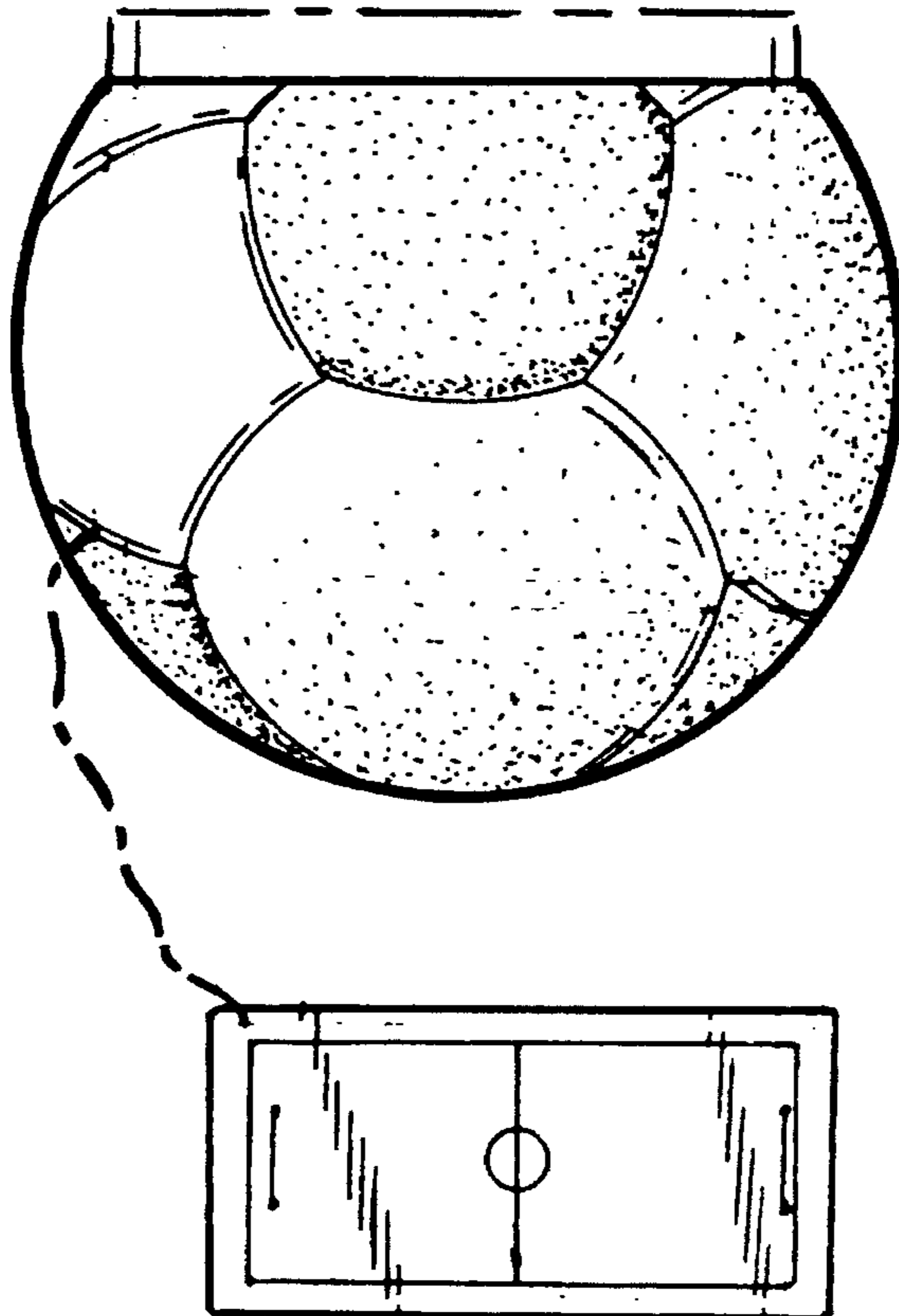


FIG - 3

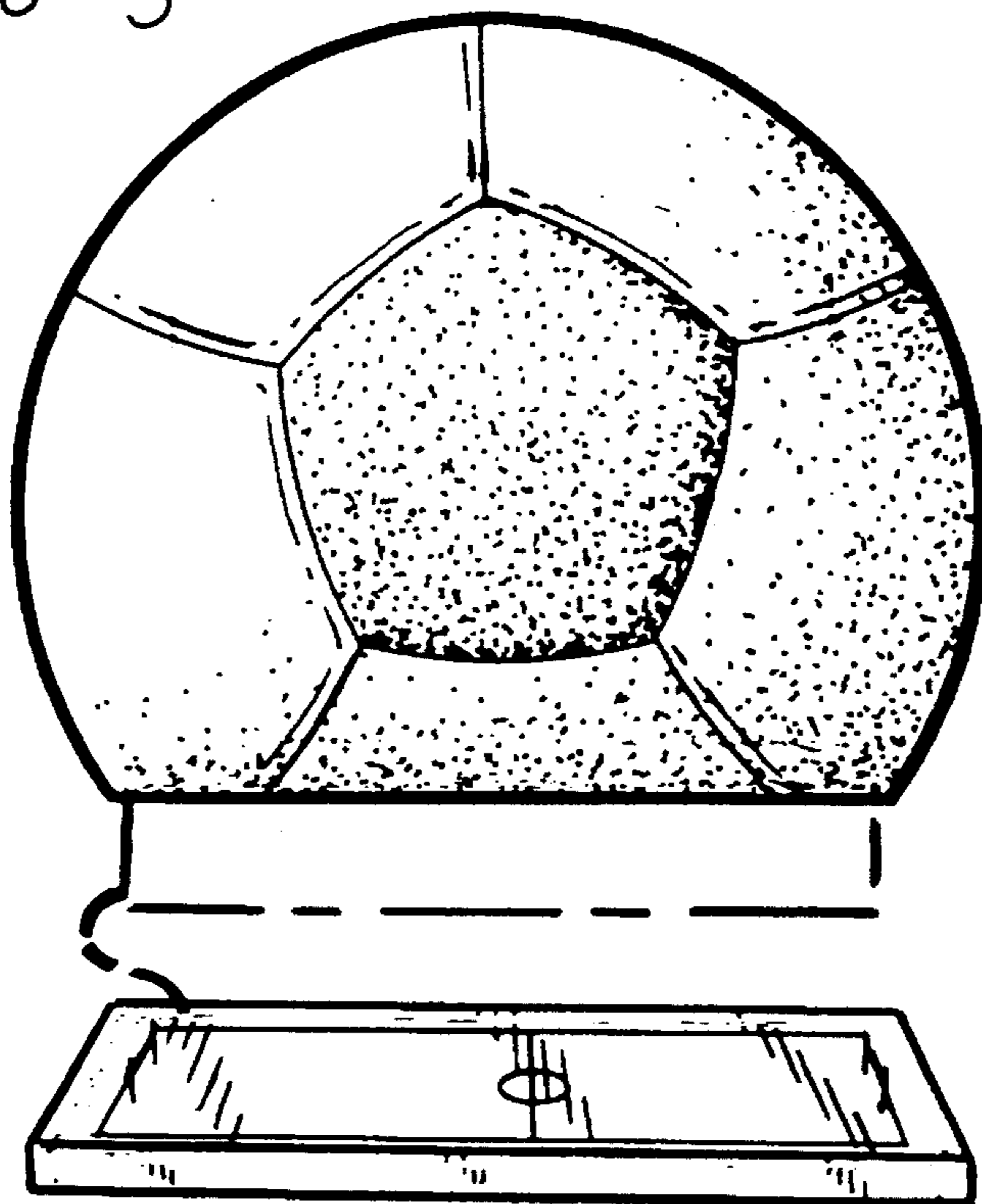


FIG - 4

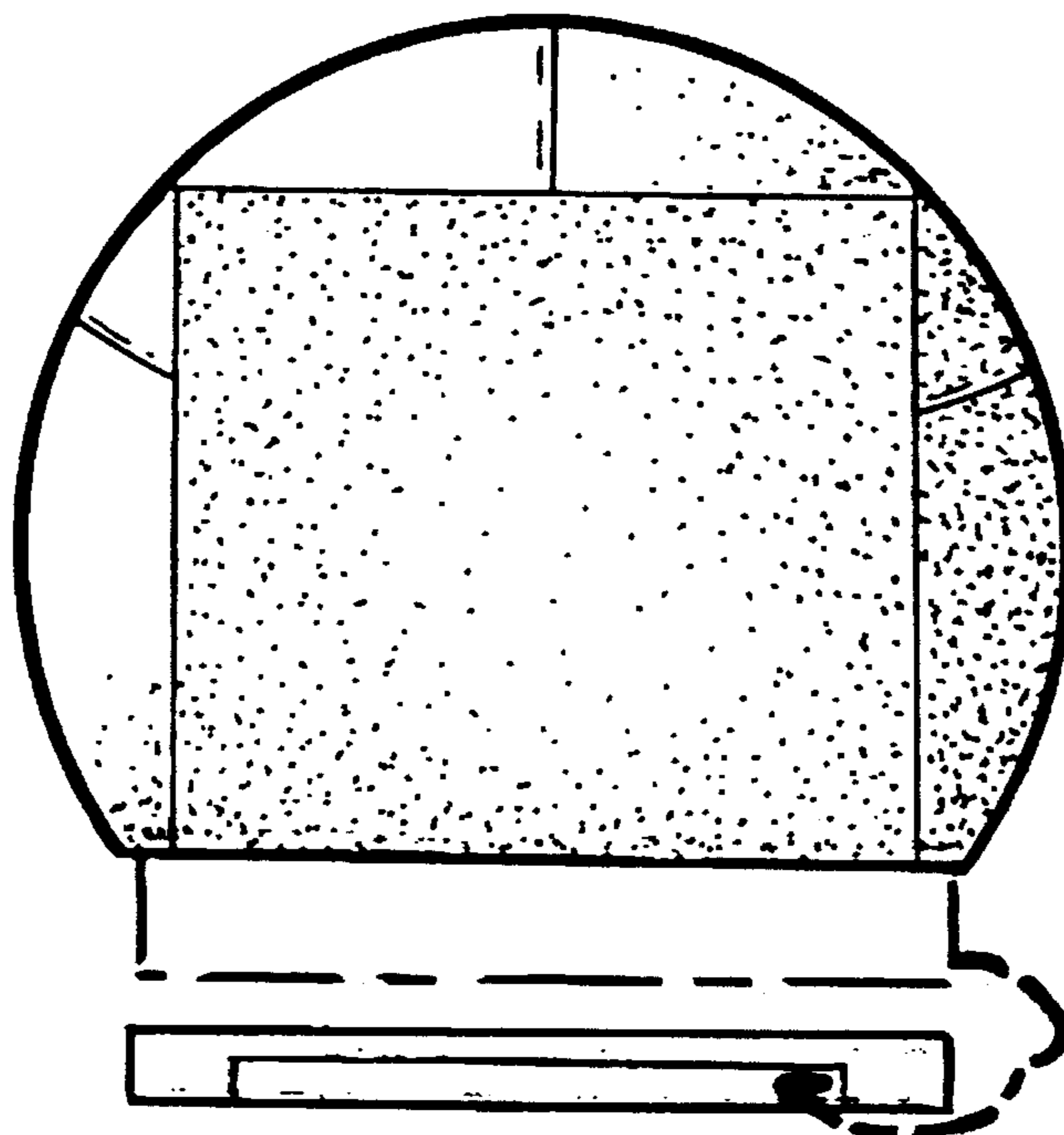


FIG - 5

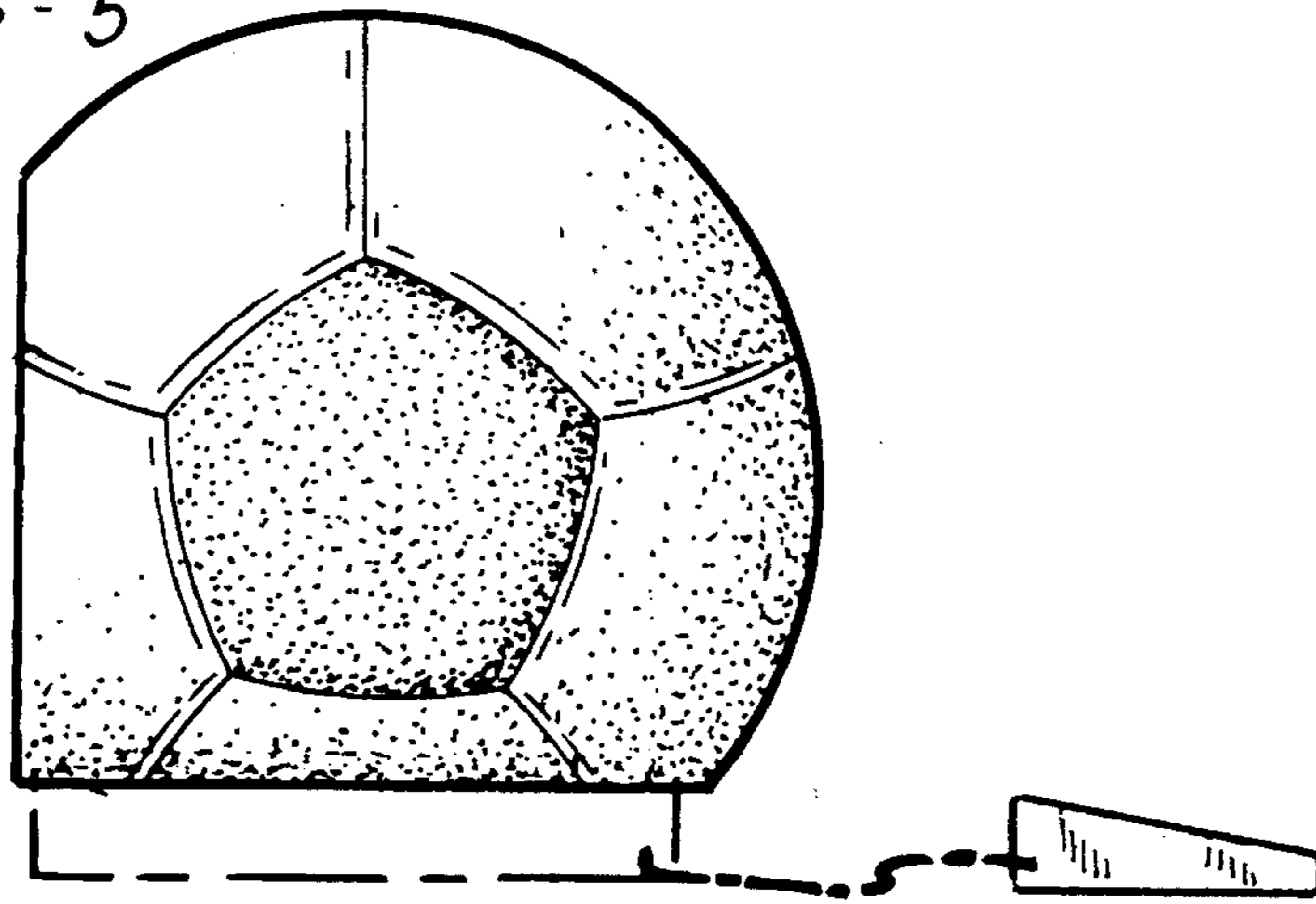


FIG - 6

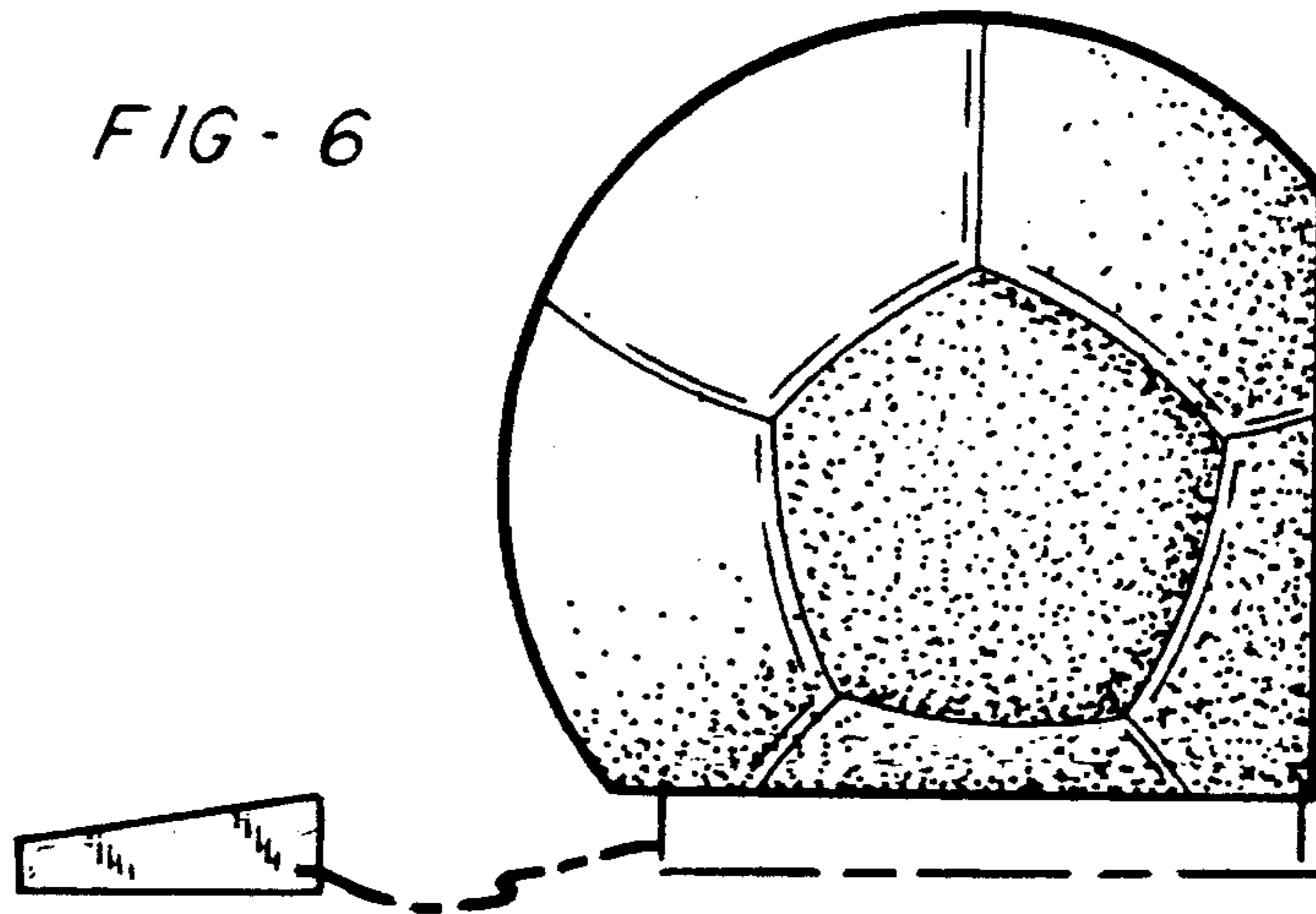


FIG - 7

