



US00D372904S

United States Patent [19]
Lo

[11] **Patent Number: Des. 372,904**

[45] **Date of Patent: **Aug. 20, 1996**

[54] **COMPUTER MOUSE**

[75] **Inventor: Johnson Lo, Taipei, Taiwan**

[73] **Assignee: Primax Electronics Ltd., Taipei, Taiwan**

[**] **Term: 14 Years**

[21] **Appl. No.: 29,860**

[22] **Filed: Oct. 18, 1994**

[52] **U.S. Cl. D14/114**

[58] **Field of Search** D14/100, 114;
D13/158; D21/48; 178/18-9; 200/5 R, 5 A,
6 R, 6 A; 213/148 B; 273/148 B, 438;
345/156-67; 74/471 XY

[56] **References Cited**

U.S. PATENT DOCUMENTS

D. 301,142	5/1989	Chu	D14/114
D. 314,194	1/1991	Norris	D14/114
D. 331,231	11/1992	Yang	D14/114
D. 335,874	5/1993	Chen	D14/114
D. 335,875	5/1993	Chen	D14/114
D. 349,280	8/1994	Kaneko	D14/114
D. 349,493	8/1994	Cheng	D14/114
D. 354,484	1/1995	Skaggs	D14/114

Primary Examiner—M. H. Tung
Attorney, Agent, or Firm—Frost & Jacobs

[57] **CLAIM**

The ornamental design for a computer mouse, as shown and described.

DESCRIPTION

FIG. 1 is a bottom plan view of a computer mouse showing

my new design;

FIG. 2 is a rear elevational view thereof;

FIG. 3 is a top plan view of a first embodiment thereof;

FIG. 4 is a top plan view of a second embodiment thereof;

FIG. 5 is a front elevational view of a first embodiment thereof;

FIG. 6 is a front elevational view of a second embodiment thereof;

FIG. 7 is a left side elevational view of a first embodiment thereof;

FIG. 8 is a left side elevational view of a second embodiment thereof;

FIG. 9 is a right side elevational view of a first embodiment thereof;

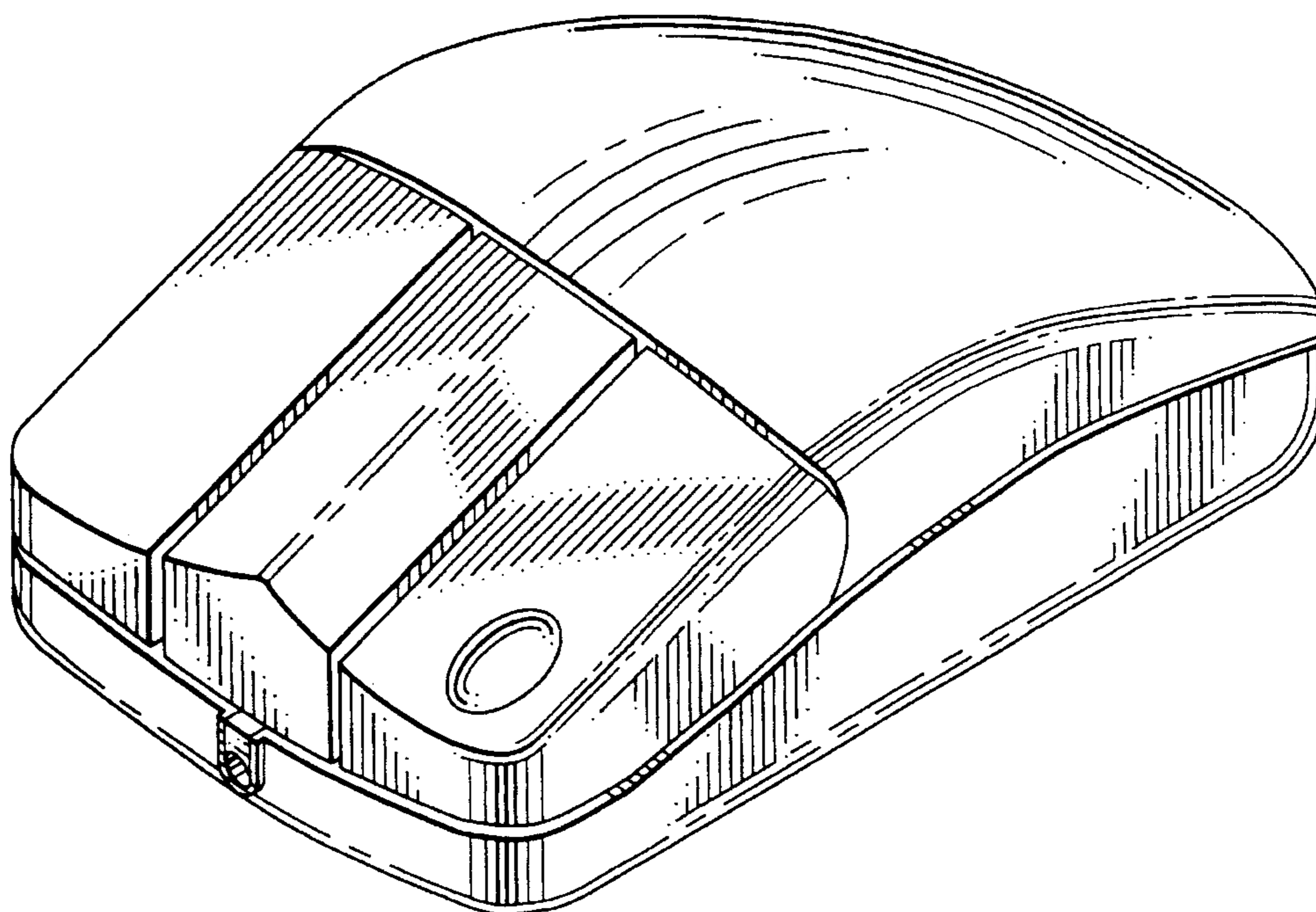
FIG. 10 is a right side elevational view of a second embodiment thereof;

FIG. 11 is a perspective view of a first embodiment thereof; and,

FIG. 12 is a perspective view of a second embodiment thereof.

The bottom plan and rear elevational views of the second embodiment are identical to those views shown in FIGS. 1 and 2, respectively.

1 Claim, 5 Drawing Sheets



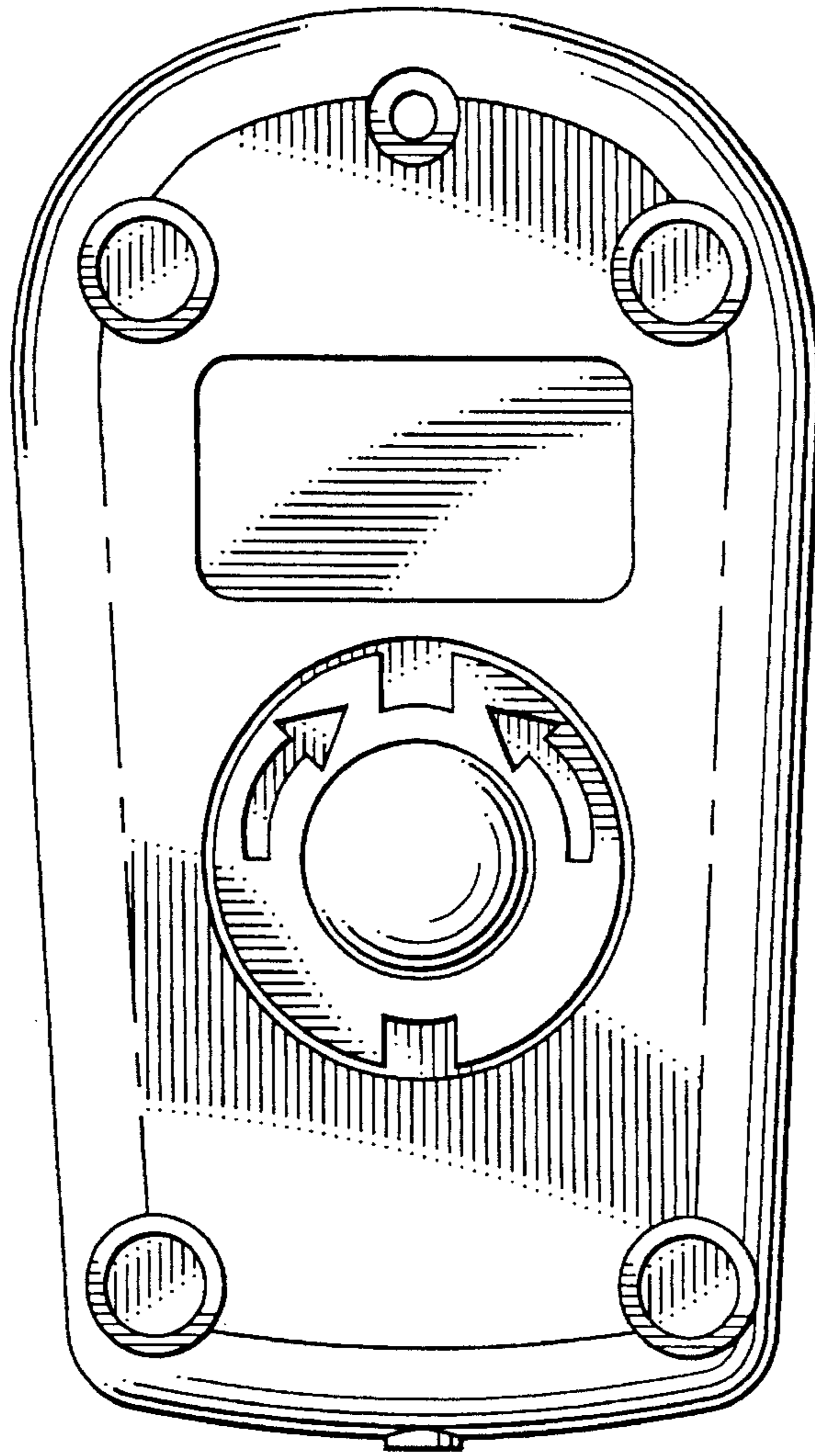


FIG. 1

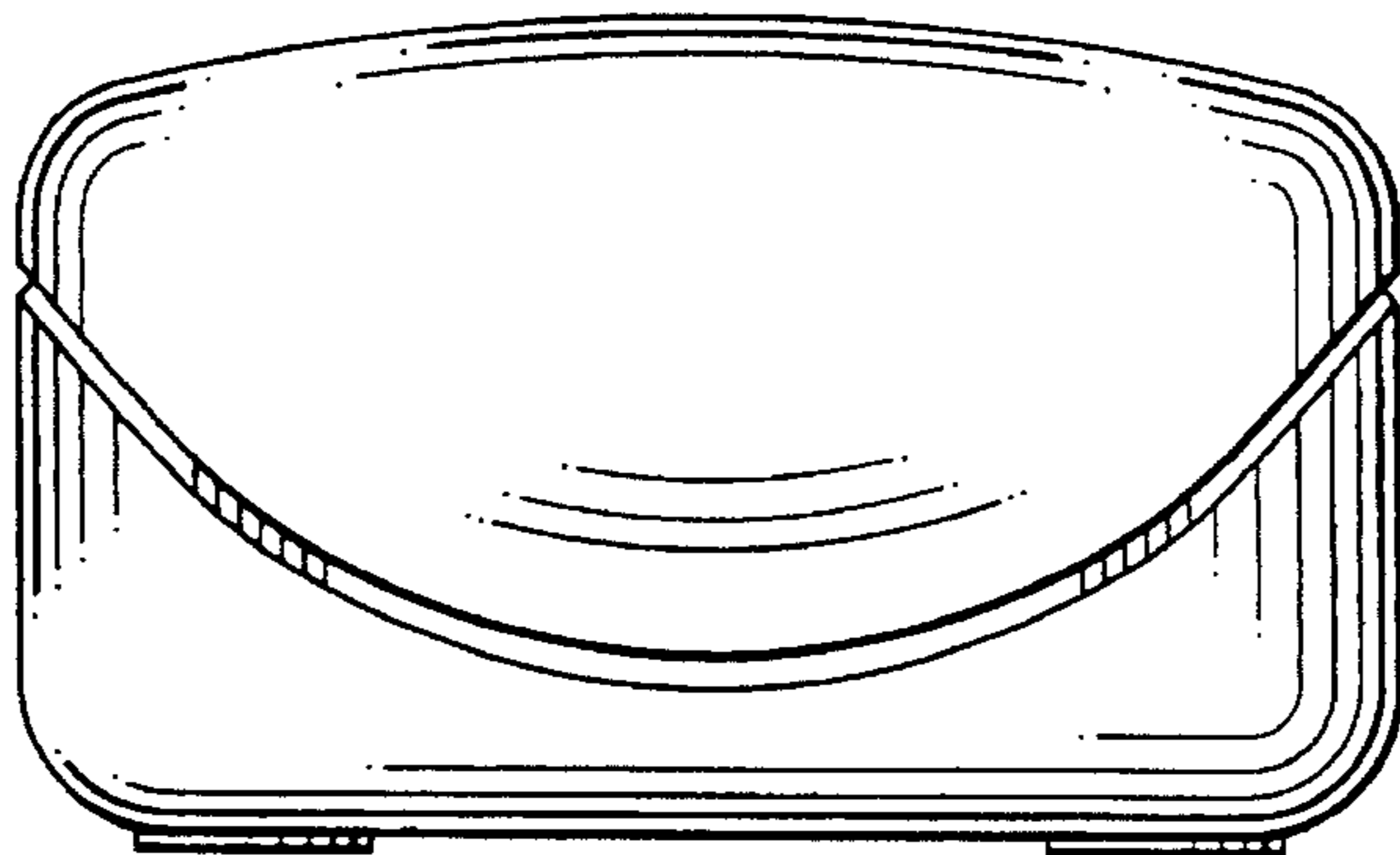


FIG. 2

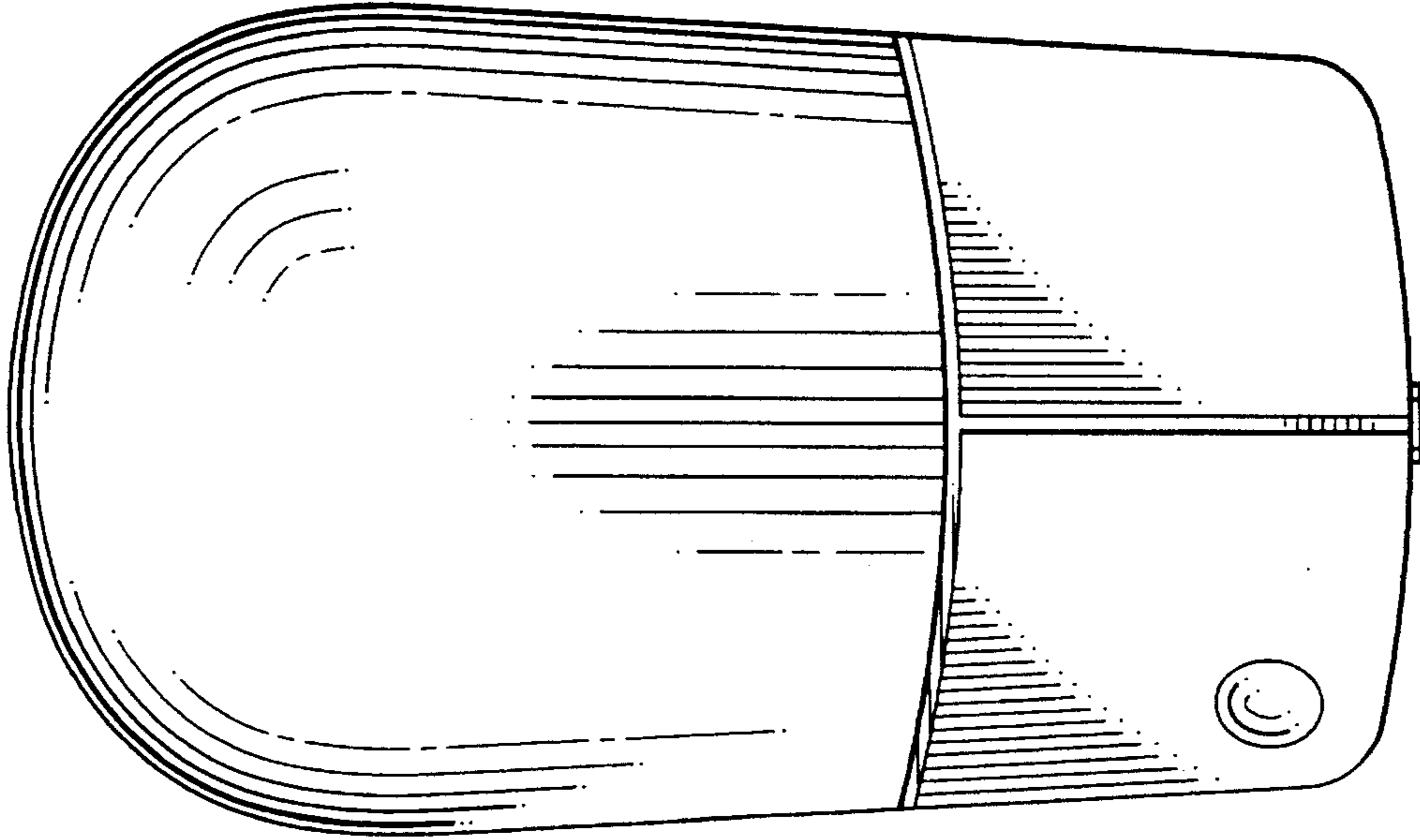


FIG. 4

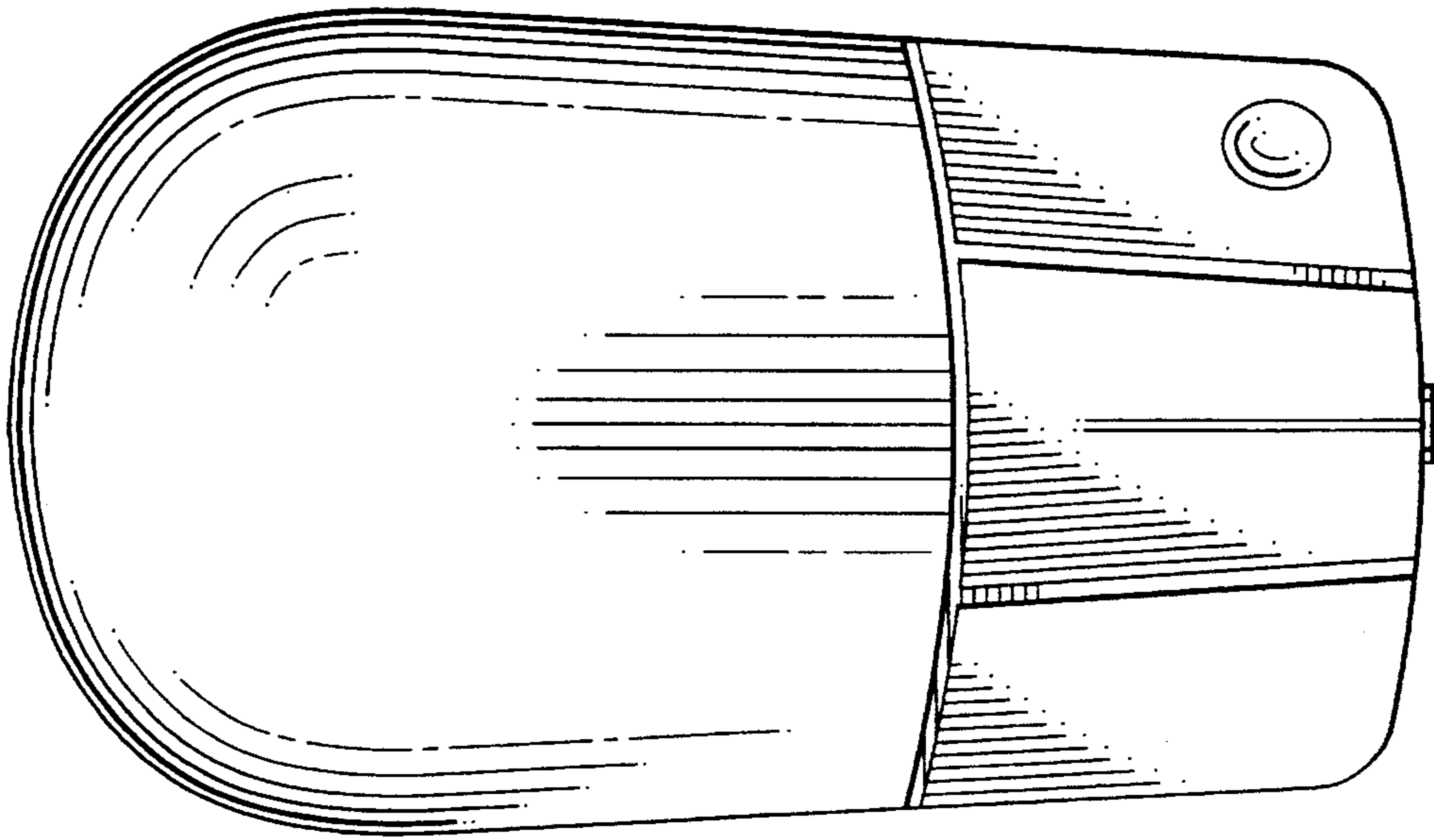


FIG. 3

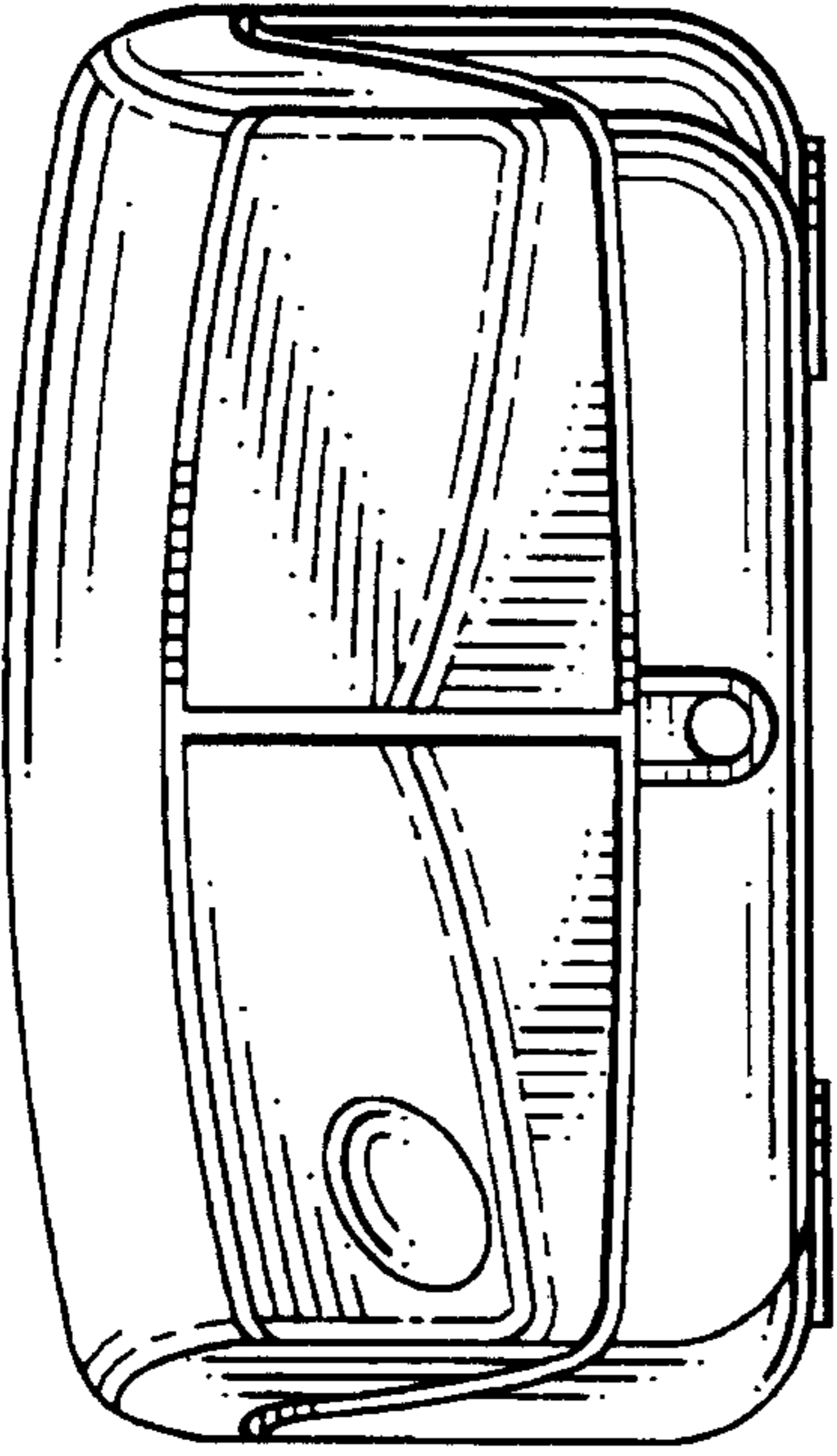


FIG. 6

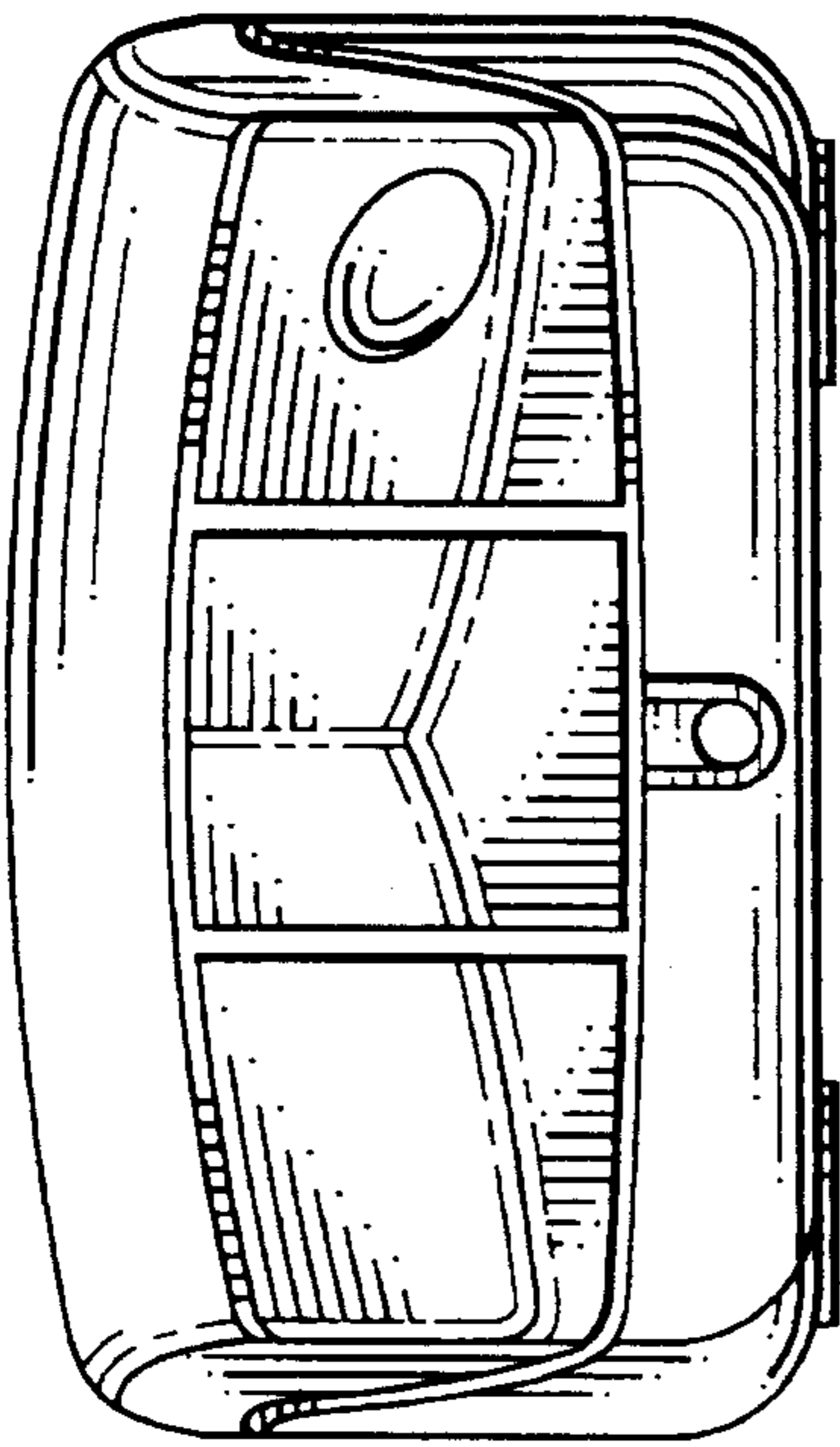


FIG. 5

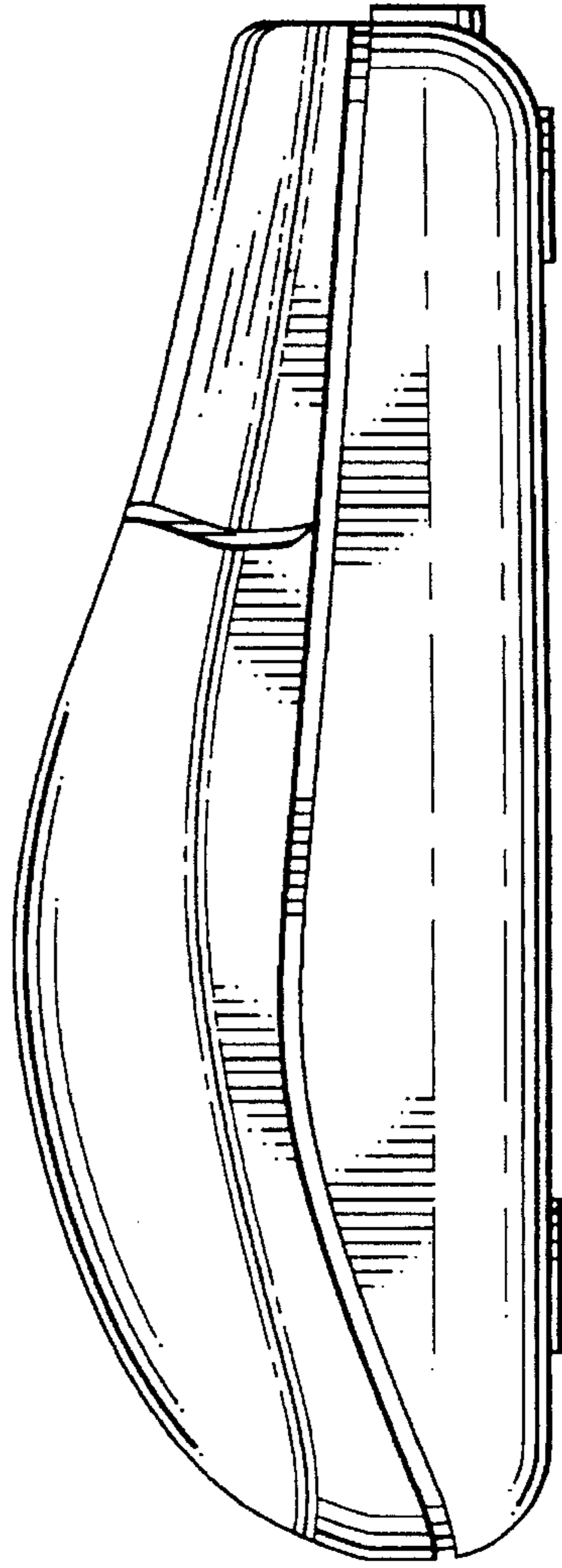


FIG. 7

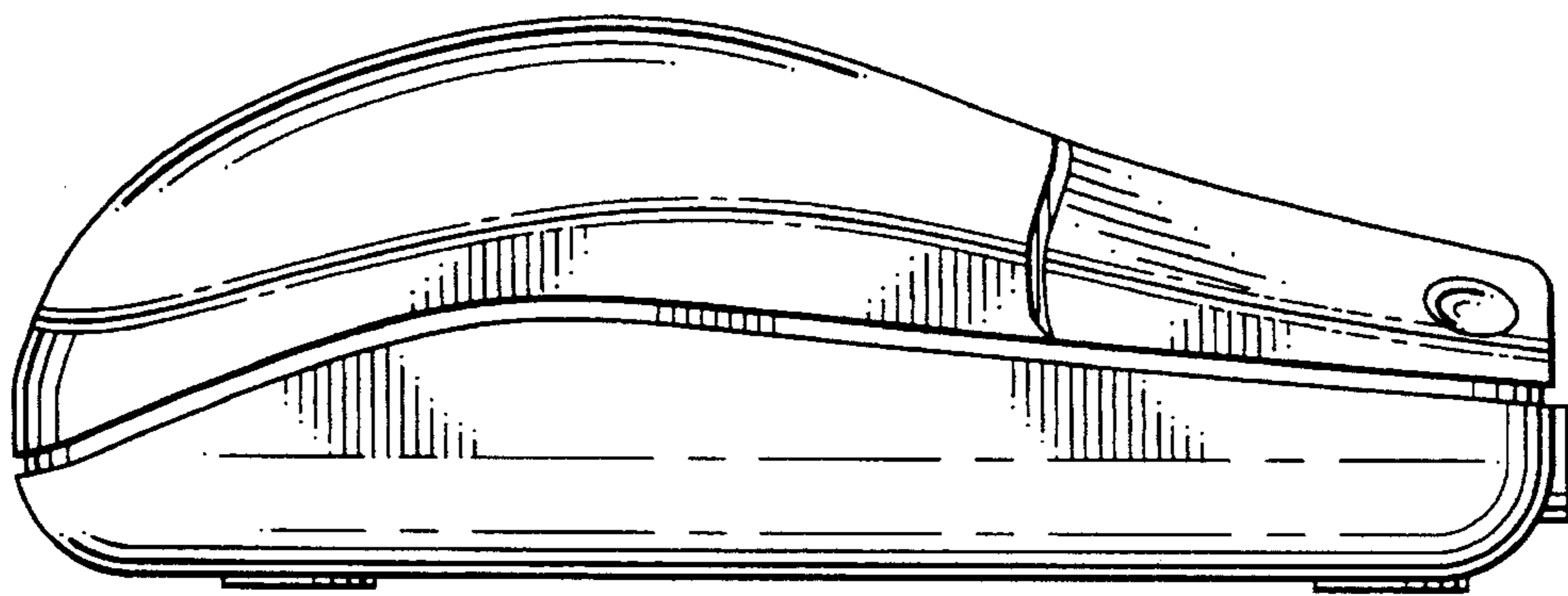


FIG. 8

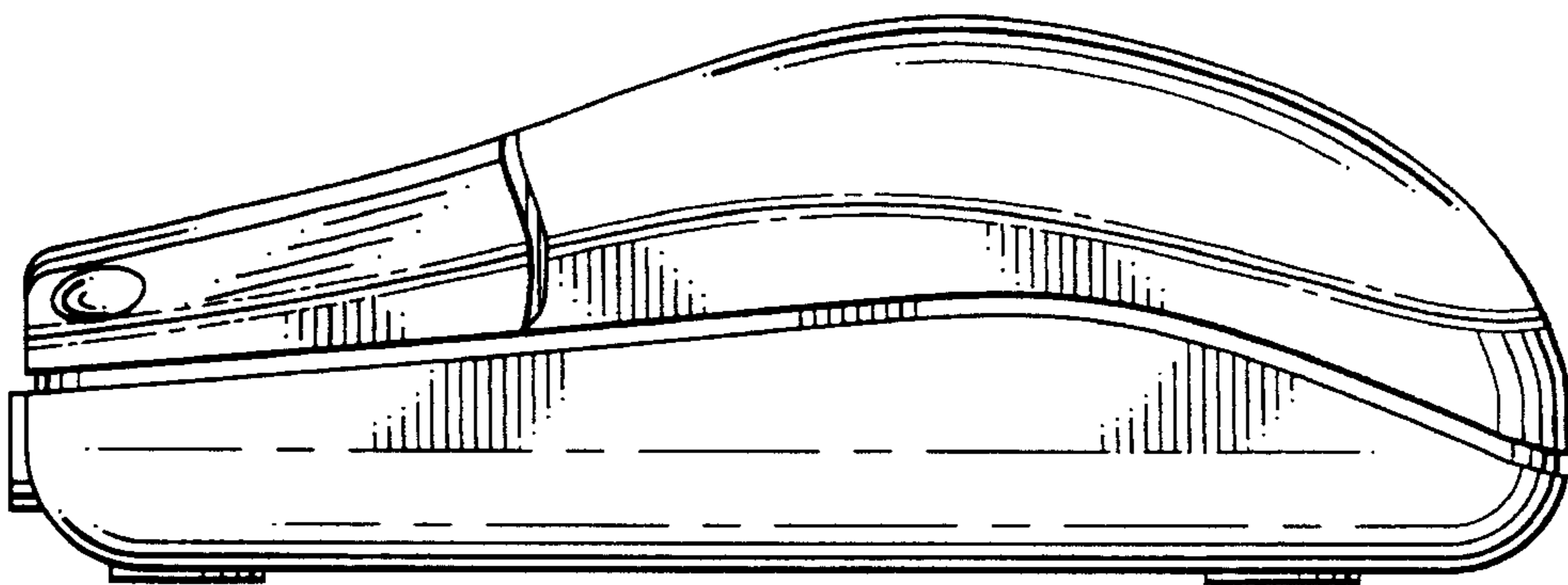


FIG. 9

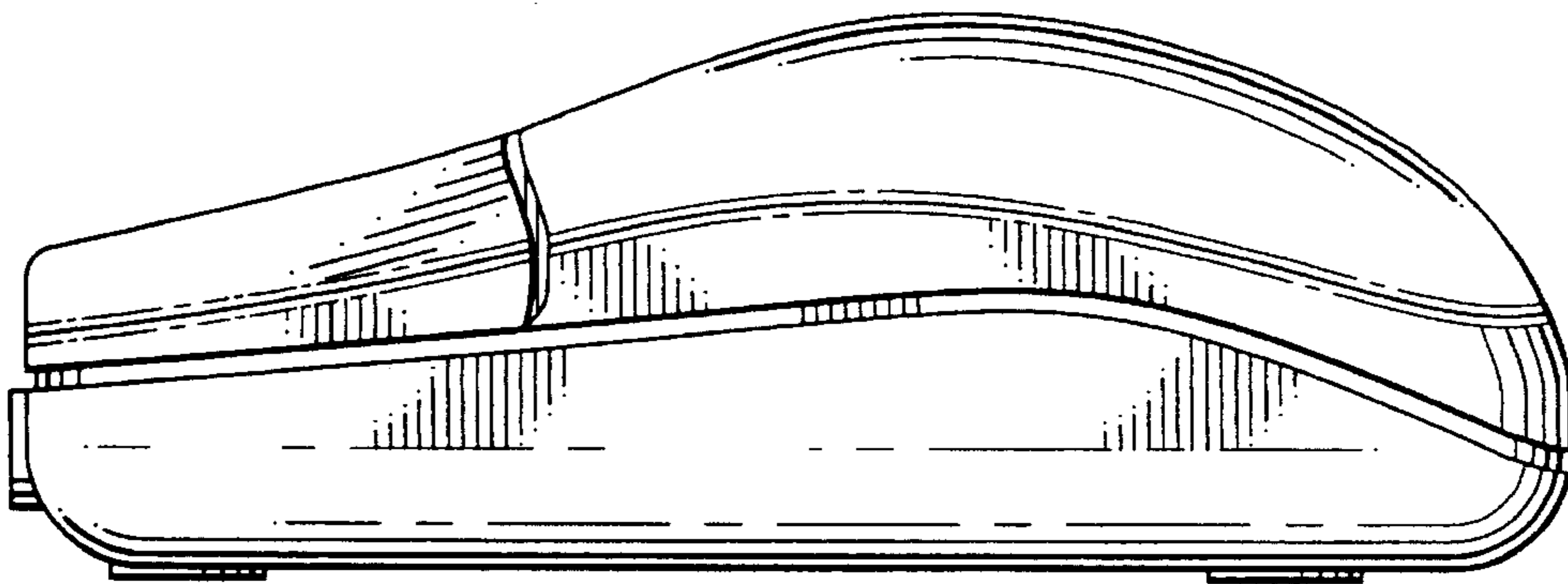


FIG. 10

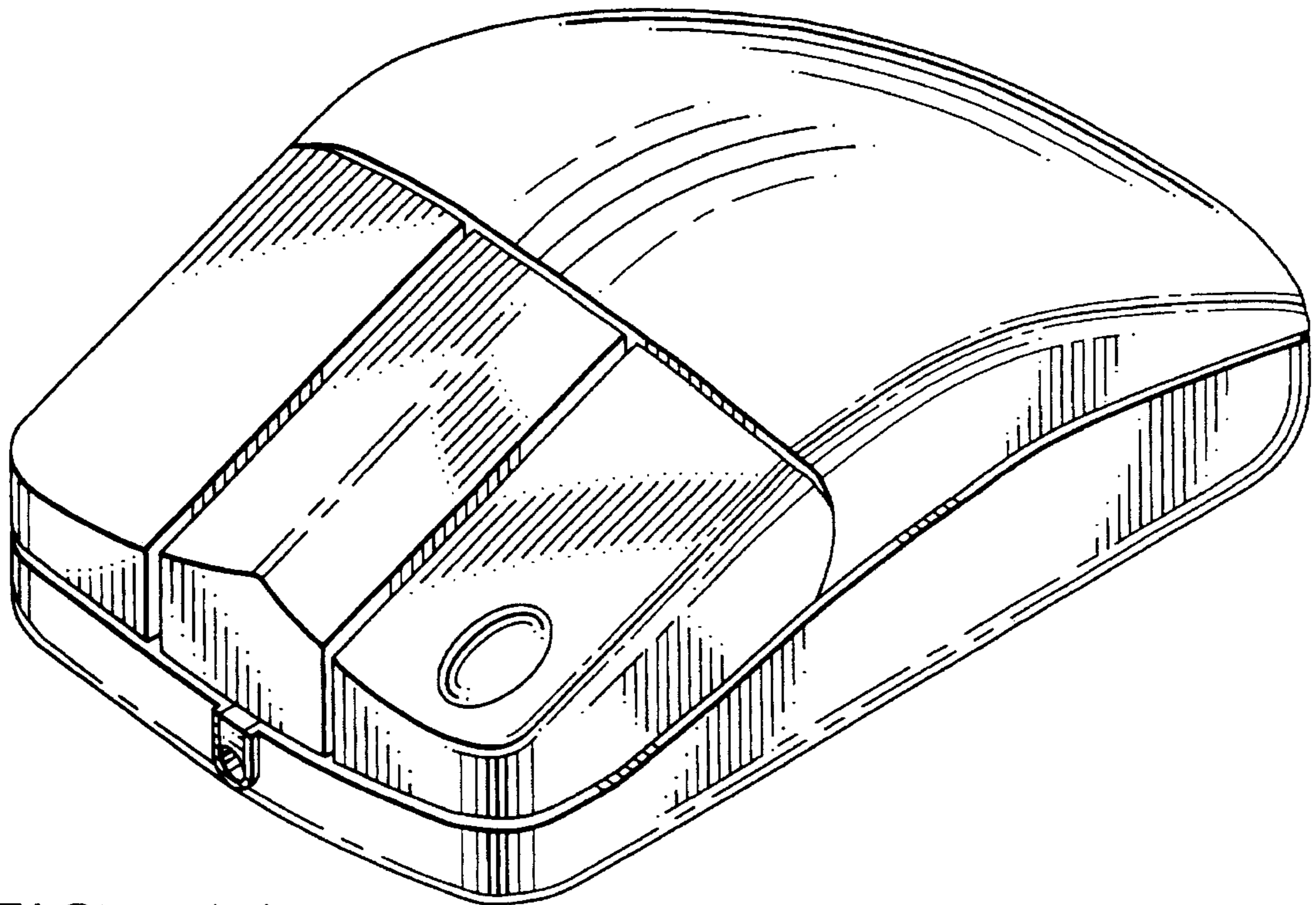


FIG. 11

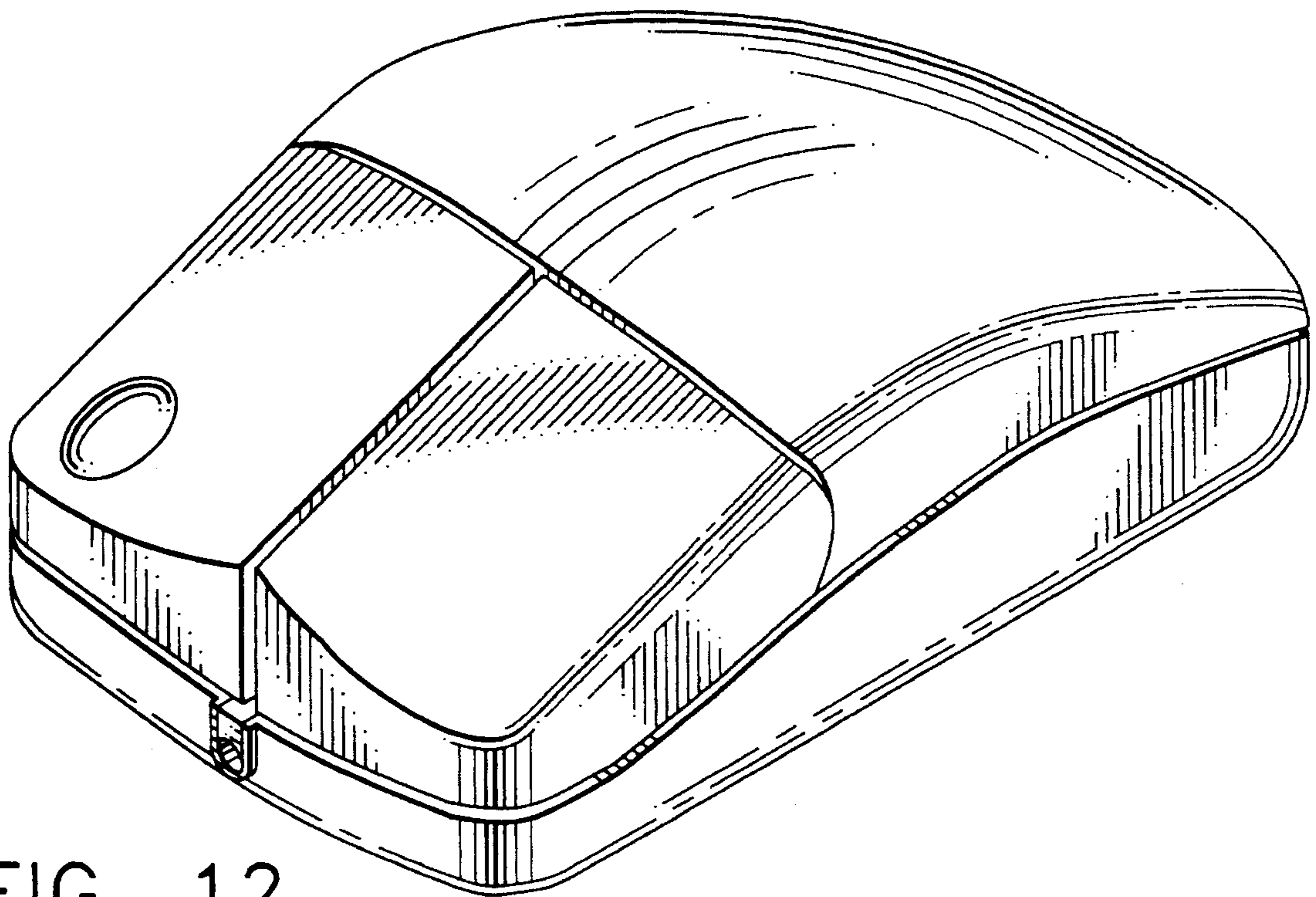


FIG. 12