



US00D372903S

United States Patent [19] Juster

[11] Patent Number: **Des. 372,903**
[45] Date of Patent: ****Aug. 20, 1996**

[54] **ERGONOMIC MOUSE PAD**
[75] Inventor: **Robert W. Juster**, Chappaqua, N.Y.
[73] Assignee: **Sterling Plastics, Inc.**, Rockford, Ill.
[**] Term: **14 Years**

4,834,502 5/1989 Bristol et al. D14/114 X
4,938,439 7/1990 Fried et al. .
5,131,614 7/1992 Garcia et al. .
5,143,341 9/1992 Juster .
5,228,655 7/1993 Garcia et al. .
5,244,296 9/1993 Jensen D14/114 X

FOREIGN PATENT DOCUMENTS

[21] Appl. No.: **20,951**
[22] Filed: **Apr. 5, 1994**
[52] U.S. Cl. **D14/114**
[58] Field of Search D14/114; D6/582-94,
D6/601; 248/118.1, 917-24, 118.3, 118.5,
118; 400/689-93, 715; 345/156-67

0731149 12/1942 Germany .
0396671 9/1933 United Kingdom .
8201983 6/1982 WIPO .

Primary Examiner—M. H. Tung
Attorney, Agent, or Firm—Foley & Lardner

[56] References Cited

[57] CLAIM

U.S. PATENT DOCUMENTS

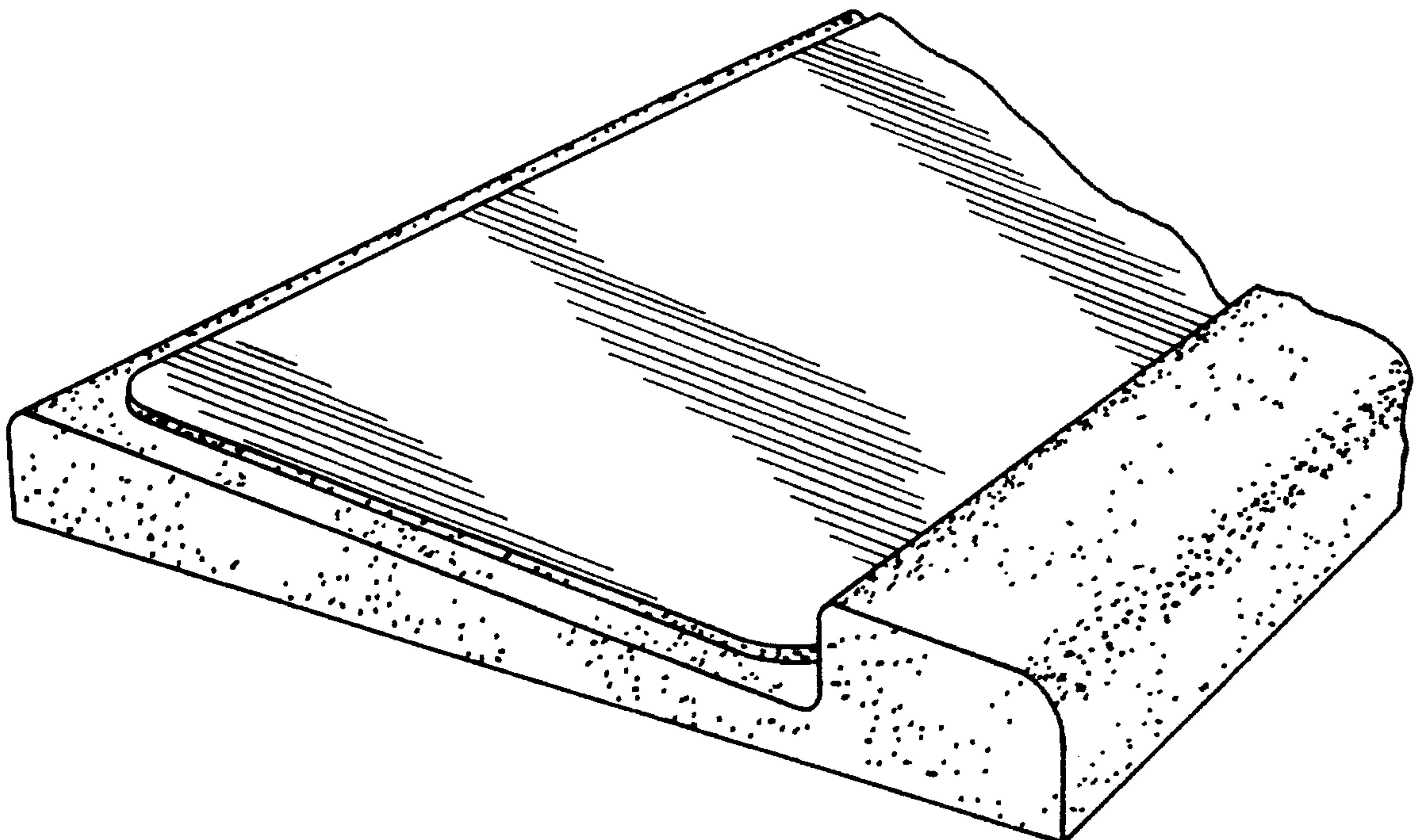
The ornamental design for an ergonomic mouse pad, as shown and described.

DESCRIPTION

134,116 12/1872 West .
D. 328,598 8/1992 Massey .
D. 335,876 5/1993 Anello, Jr. et al. .
D. 336,898 6/1993 Cherubini et al. .
D. 338,195 8/1993 Sugerman D14/114
D. 338,568 8/1993 Juster .
D. 342,243 12/1993 Land D14/114
D. 347,422 5/1994 Taslitz D14/114
3,407,757 10/1968 Warner .
4,052,944 10/1977 Jennings .
4,235,472 11/1980 Sparks et al. .
4,273,213 6/1981 Munz .
4,482,063 11/1984 Berke et al. .
4,511,111 4/1985 Godfrey et al. .
4,700,634 10/1987 Mills et al. .
4,765,583 8/1988 Tenner .
4,776,284 10/1988 McIntosh D14/114 X
4,790,041 12/1988 Shtull .
4,807,538 2/1989 Hoffman .

FIG. 1 is a top, left side perspective view of an ergonomic mouse pad showing my new design, the top surface is shown broken away to indicate indeterminate length from the left side to the right side;
FIG. 2 is a top plan view thereof, the top surface is shown broken away to indicate indeterminate length;
FIG. 3 is a left side elevational view thereof, the right side is a mirror image;
FIG. 4 is a front elevational view thereof, the front is shown broken away to indicate indeterminate length;
FIG. 5 is a rear elevational view thereof, the rear is shown broken away to indicate indeterminate length; and,
FIG. 6 is a bottom plan view thereof, the bottom is shown broken away to indicate indeterminate length.

1 Claim, 3 Drawing Sheets



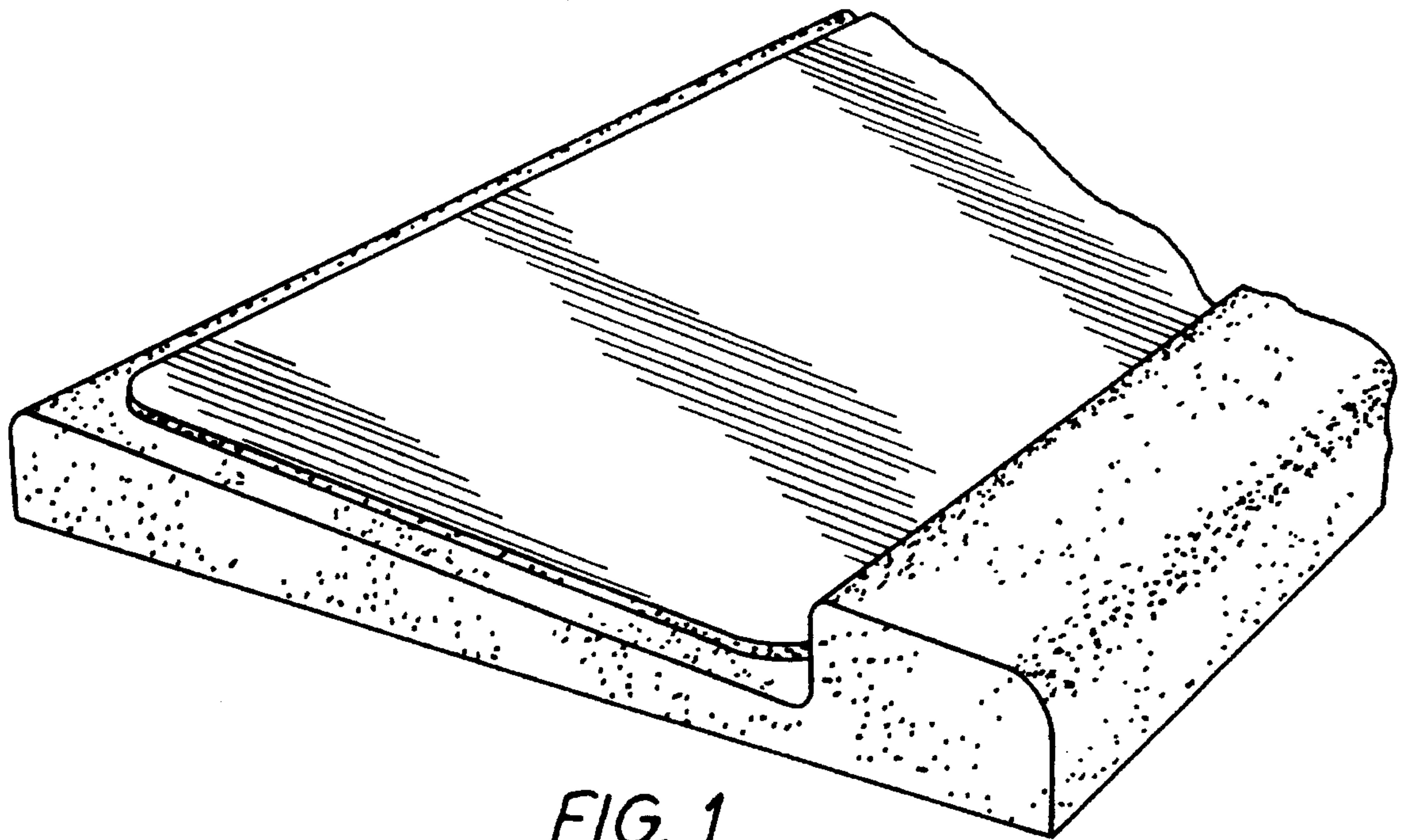


FIG. 1

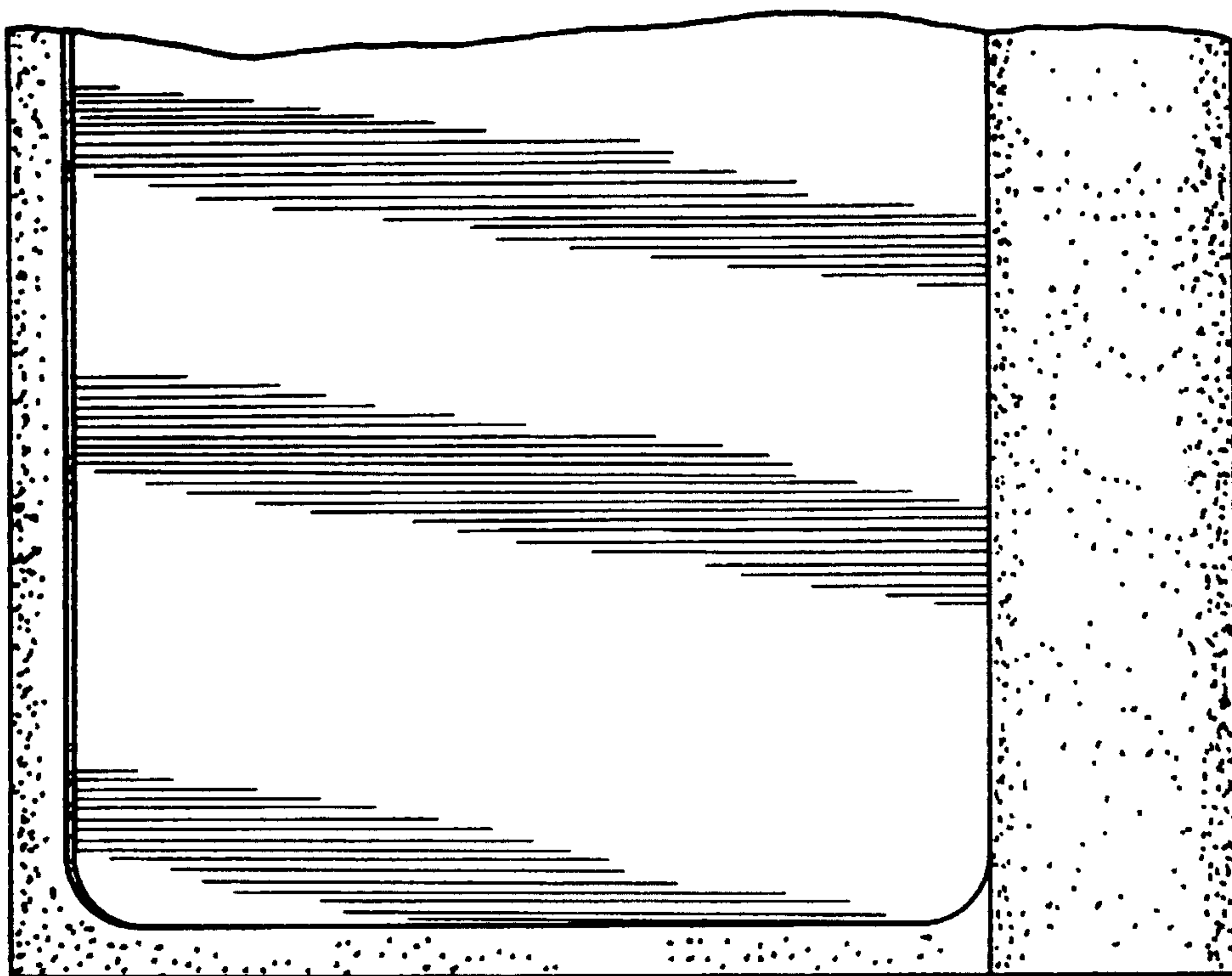


FIG. 2



FIG. 3

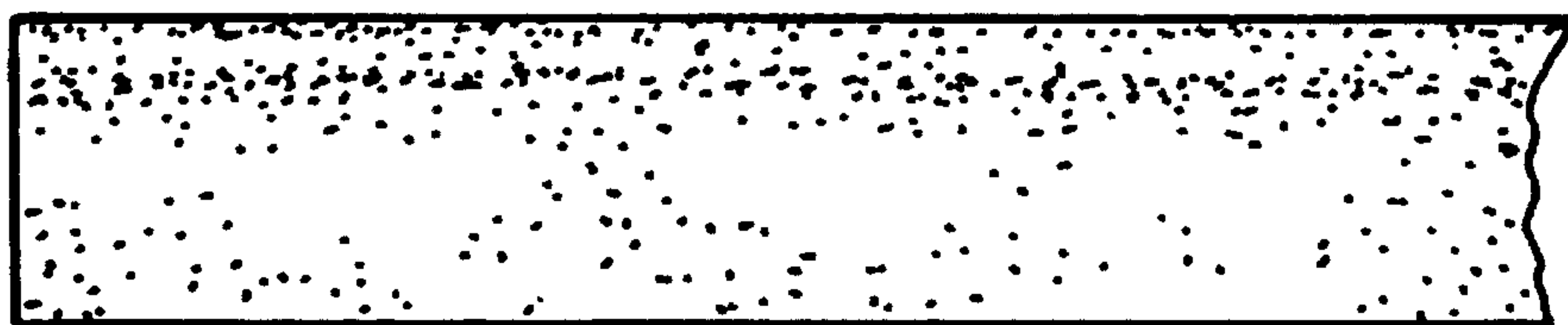


FIG. 4



FIG. 5

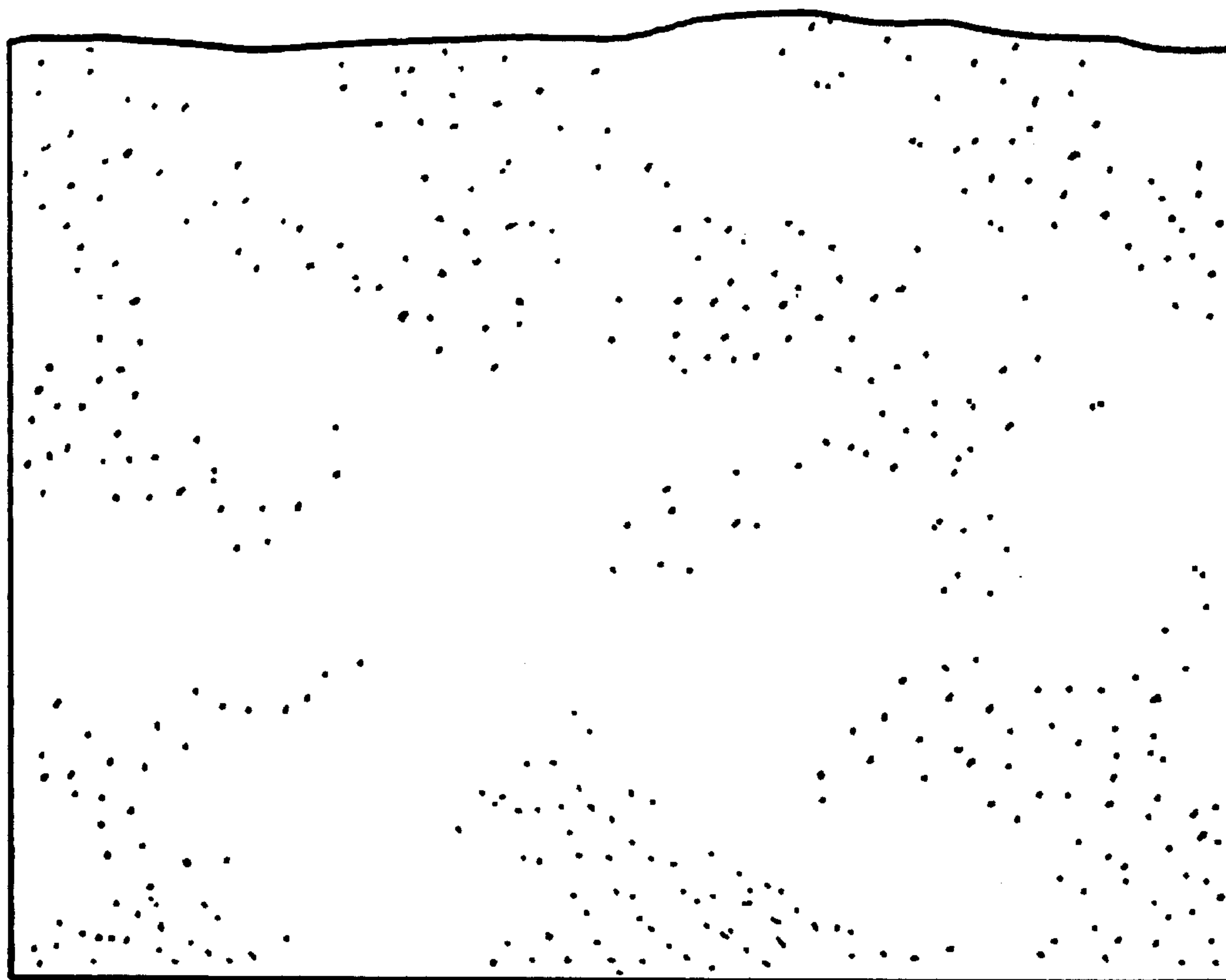


FIG. 6