



US00D372902S

United States Patent [19]

Yu

[11] Patent Number: **Des. 372,902**

[45] Date of Patent: ****Aug. 20, 1996**

[54] **SCANNER**

[75] Inventor: **I-Ke Yu, Taipei Hsien, Taiwan**

[73] Assignee: **Silitek Corporation, Taipei, Taiwan**

[**] Term: **14 Years**

[21] Appl. No.: **43,198**

[22] Filed: **Aug. 29, 1995**

[52] U.S. Cl. **D14/107**

[58] Field of Search D14/100, 105,
D14/107-109; D16/208, 214, 223; D18/36,
37, 39, 50, 54, 40; 250/566, 568, 569; 235/454,
462, 470, 380, 382, 382.5, 476, 482, 483,
441; 348/373-376; 358/408, 472, 474,
497; 355/64, 65, 75, 231, 233

[56] **References Cited**

U.S. PATENT DOCUMENTS

- D. 310,682 9/1990 Tsumuro D18/40
- D. 312,652 12/1990 Fukuda et al. D18/36

- D. 340,232 10/1993 Yoshida D14/107
- D. 349,922 8/1994 Tashiro D18/54 X
- D. 350,975 9/1994 Mizuta D18/40 X
- D. 361,554 8/1995 Mochizuki et al. D14/107

Primary Examiner—Freda Nunn

Attorney, Agent, or Firm—Browdy and Neimark

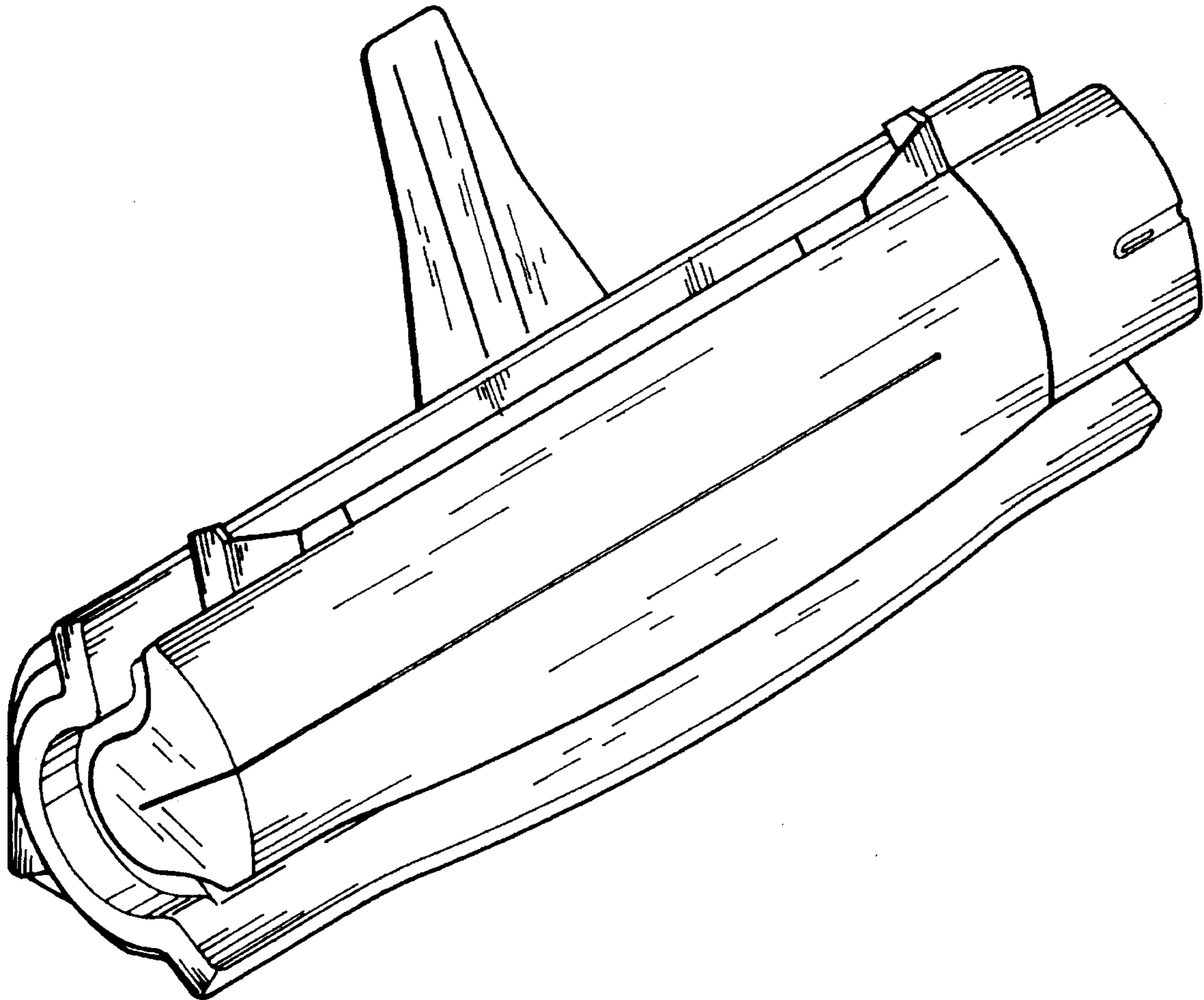
[57] **CLAIM**

The ornamental design for a scanner, as shown and described.

DESCRIPTION

FIG. 1 is the perspective view of a scanner showing my new design;
 FIG. 2 is the front elevational view thereof;
 FIG. 3 is the rear elevational view thereof;
 FIG. 4 is the left side elevational view thereof;
 FIG. 5 is the right side elevational view thereof;
 FIG. 6 is the top plan view thereof; and,
 FIG. 7 is the bottom plan view thereof.

1 Claim, 4 Drawing Sheets



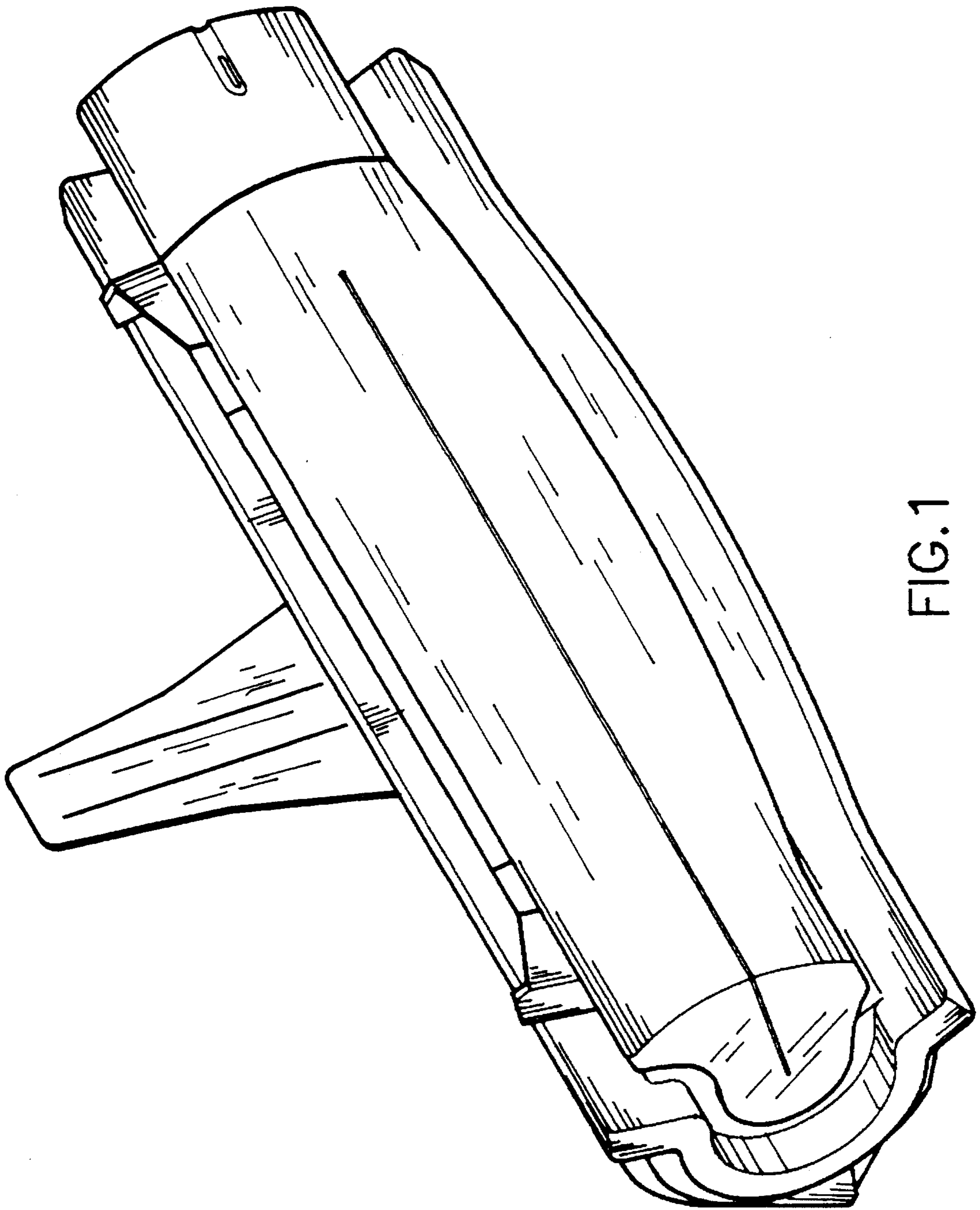


FIG. 1

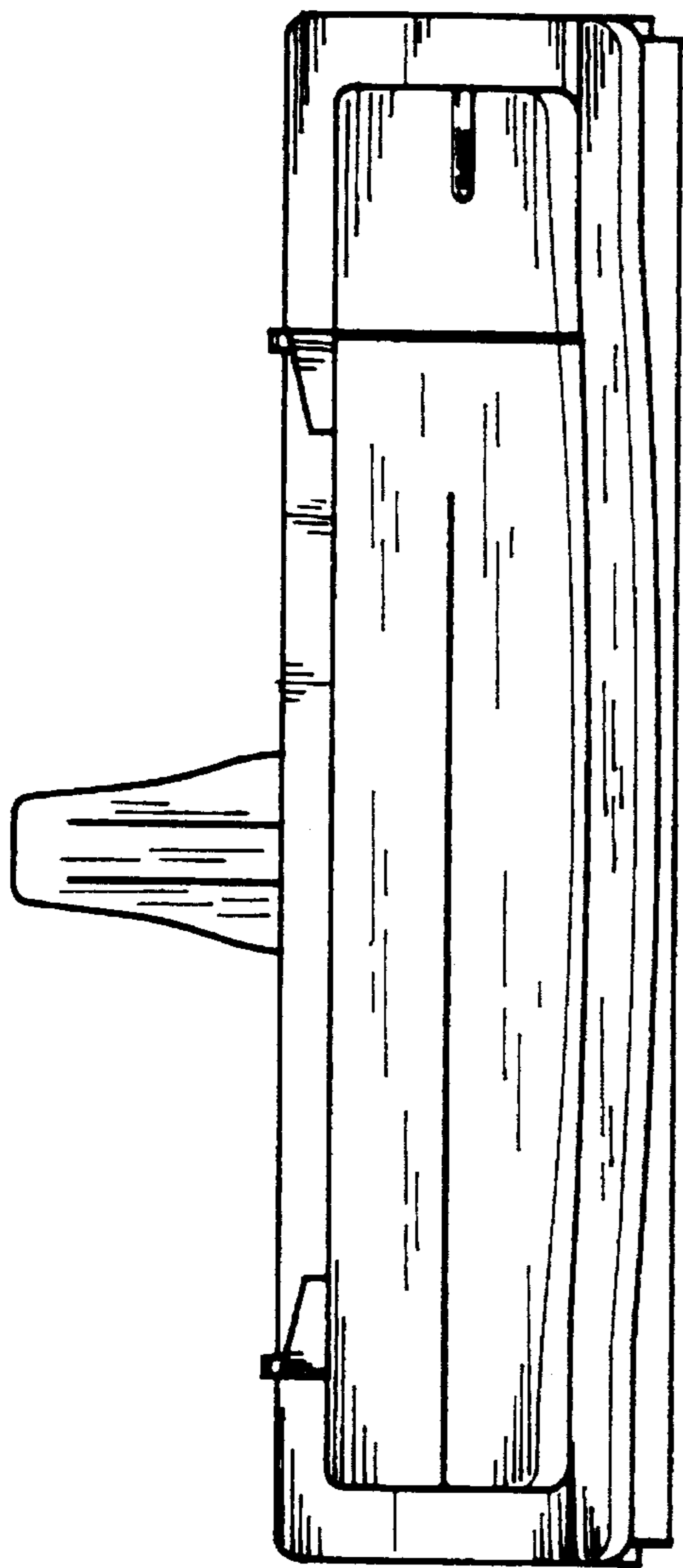


FIG. 2

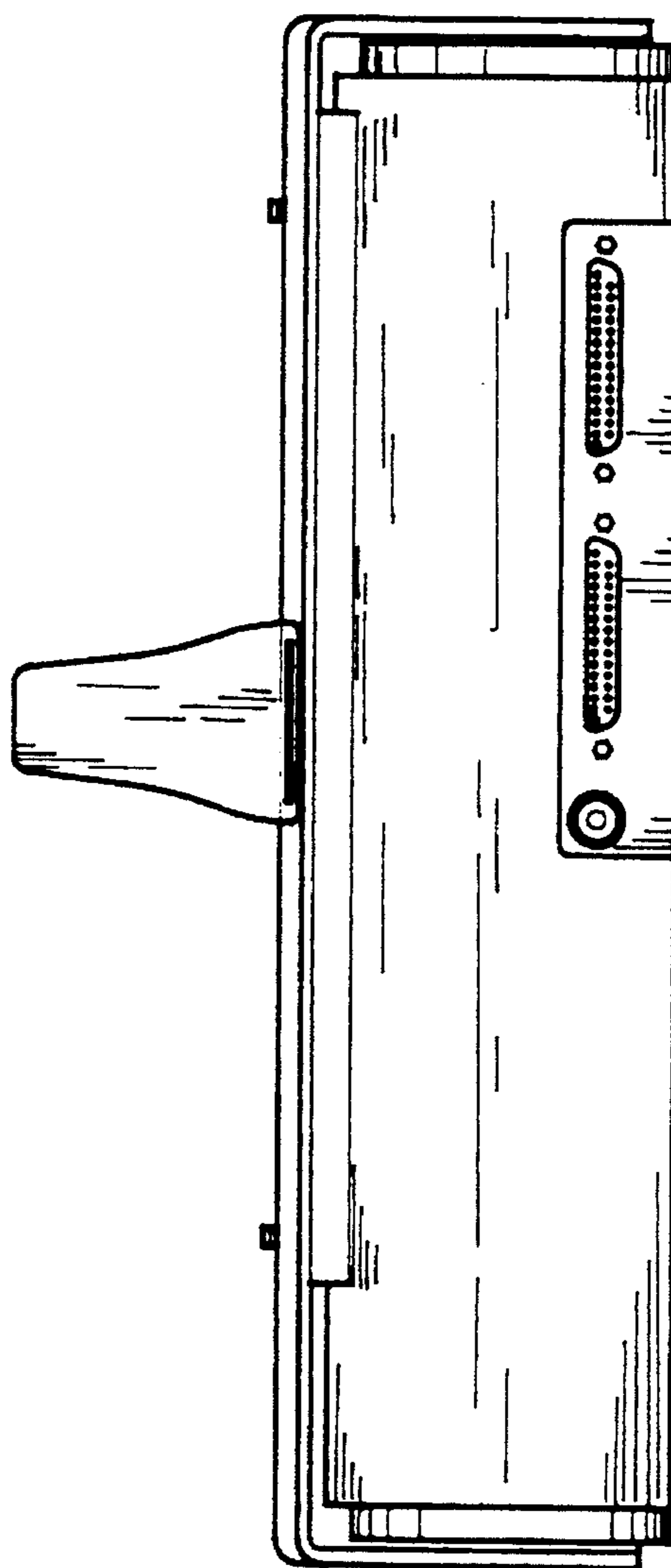


FIG. 3

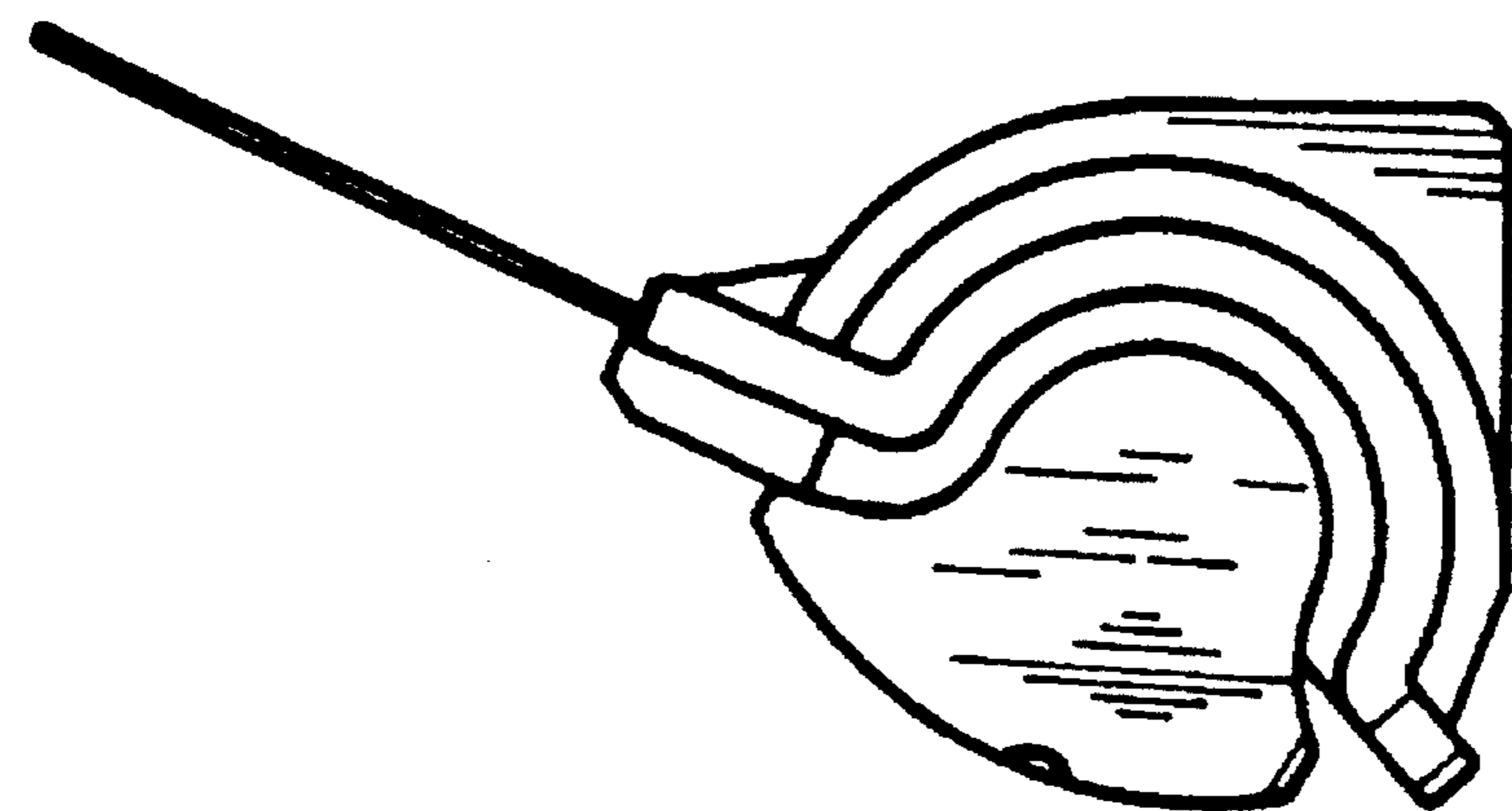


FIG. 4

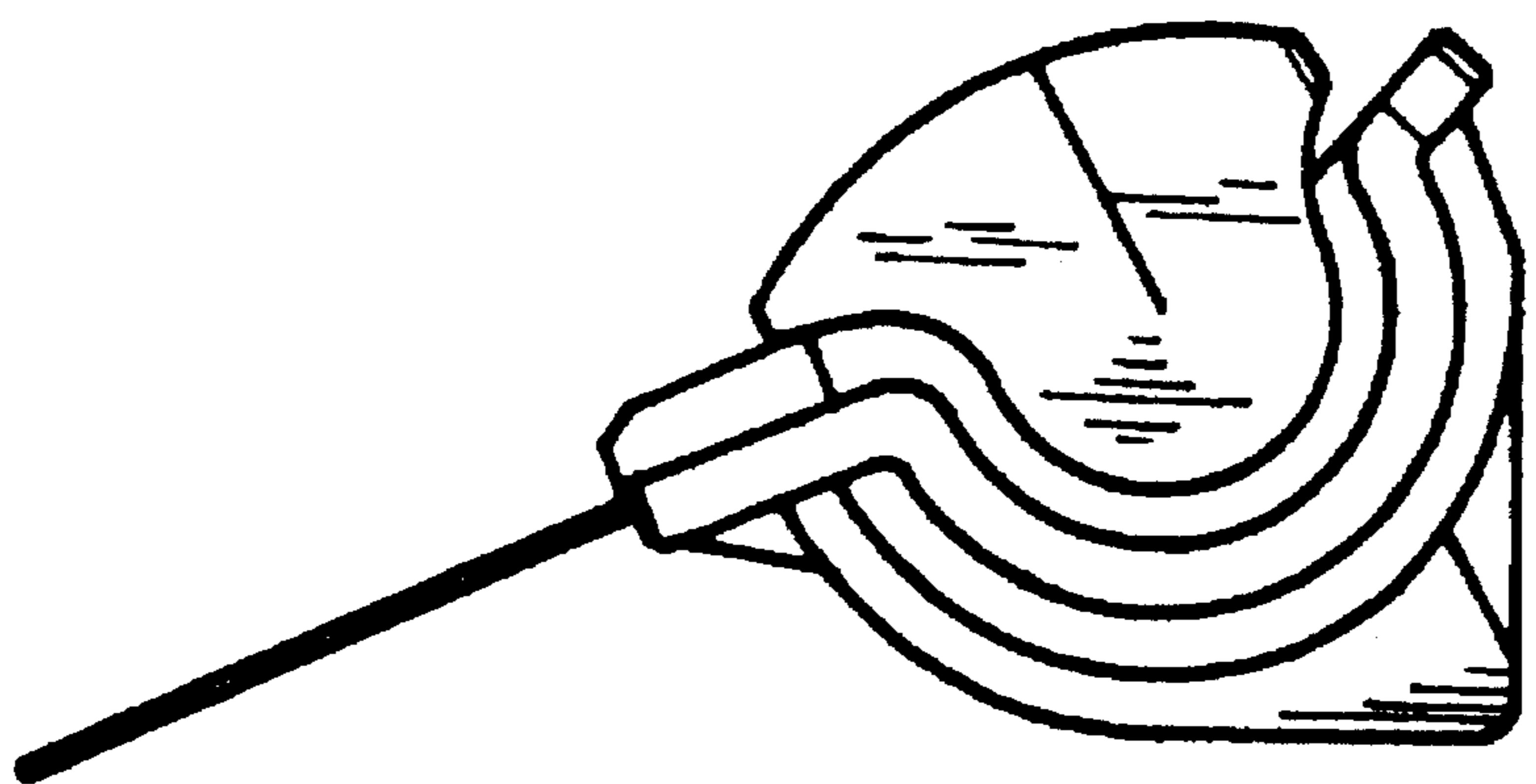


FIG. 5

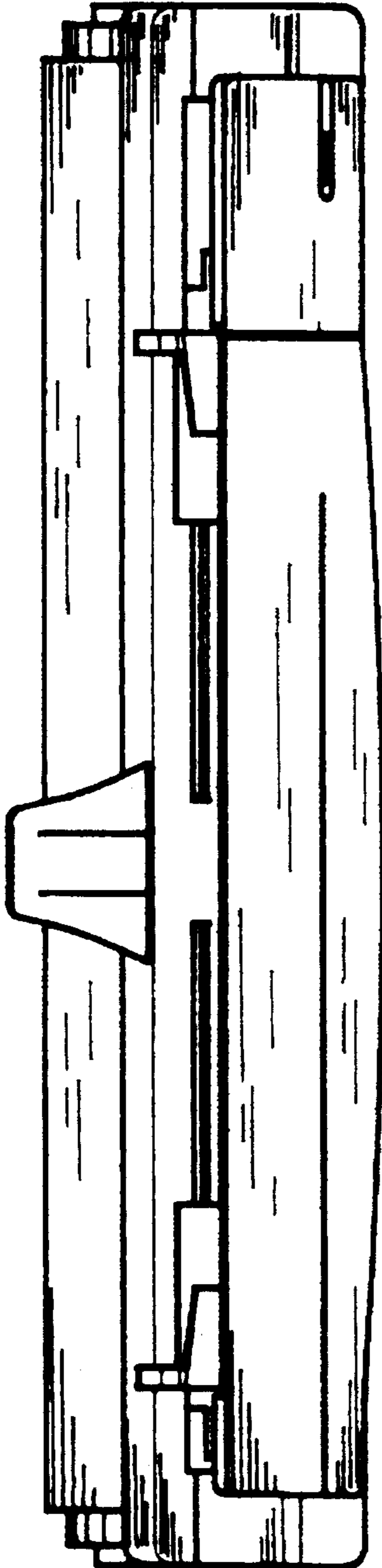


FIG. 6

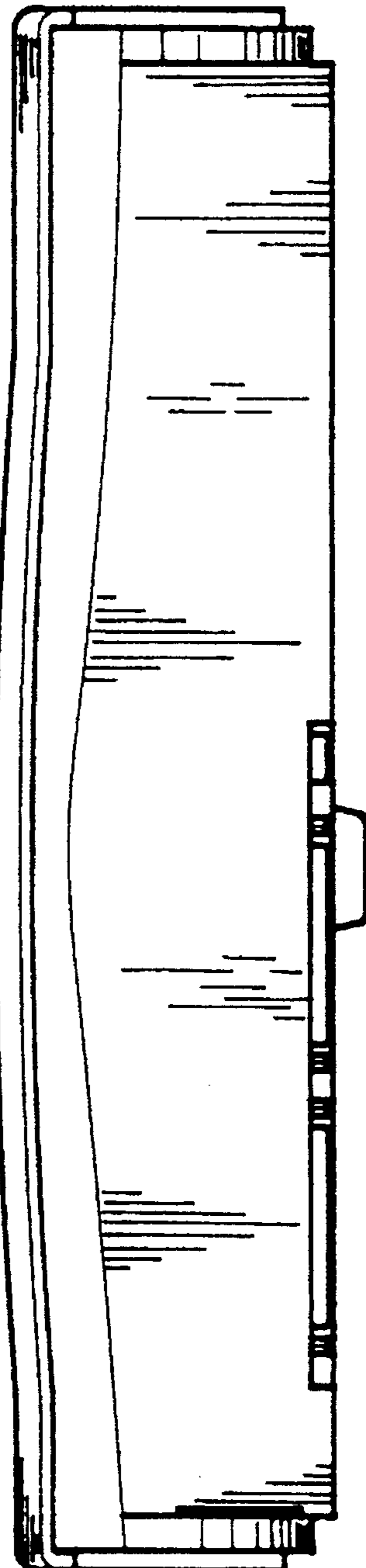


FIG. 7