



US00D372900S

United States Patent [19]

Nakada et al.

[11] Patent Number: Des. 372,900

[45] Date of Patent: **Aug. 20, 1996

[54] **PERSONAL COMPUTER WITH INTEGRAL VIDEO DISPLAY**

[75] Inventors: **Kazuo Nakada**, Sagamihara; **Nariaki Mieki**, Yokohama; **Kazuhiko Yamazaki**, Hiratuka, all of Japan; **Gary L. Switser**, Boulder, Colo.; **Markus Oates**, Glasgow, Scotland; **Richard Sapper**, Milan, Italy

[73] Assignee: **International Business Machines Corporation**, Armonk, N.Y.

[**] Term: **14 Years**

[21] Appl. No.: **42,491**

[22] Filed: **Aug. 11, 1995**

[30] **Foreign Application Priority Data**

Feb. 10, 1995 [JP] Japan 7-3507
[52] U.S. Cl. **D14/100**
[58] Field of Search D14/100, 101, D14/106, 113, 124-127; 345/104, 133, 156, 168, 173, 87, 901-905; 358/249, 254, 255; 364/708.1

[56] **References Cited**

U.S. PATENT DOCUMENTS

D. 310,067 8/1990 Koprowski et al. D14/106
D. 342,499 12/1993 Fujii et al. D14/126
D. 361,550 8/1995 Mundt et al. D14/100
D. 363,469 10/1995 Mieki et al. D14/113 X

Primary Examiner—Freda Nunn
Attorney, Agent, or Firm—Martin J. McKinley

[57] **CLAIM**

The ornamental design for a personal computer with integral video display, as shown and described.

DESCRIPTION

FIG. 1 is a right front and top perspective view of the personal computer with integral video display showing our new design;
FIG. 2 is a front elevational view thereof;
FIG. 3 is a rear elevational view thereof;
FIG. 4 is a top plan view thereof;
FIG. 5 is a bottom plan view thereof;
FIG. 6 is a left side elevational view thereof; and,
FIG. 7 is a right side elevational view thereof.

1 Claim, 7 Drawing Sheets

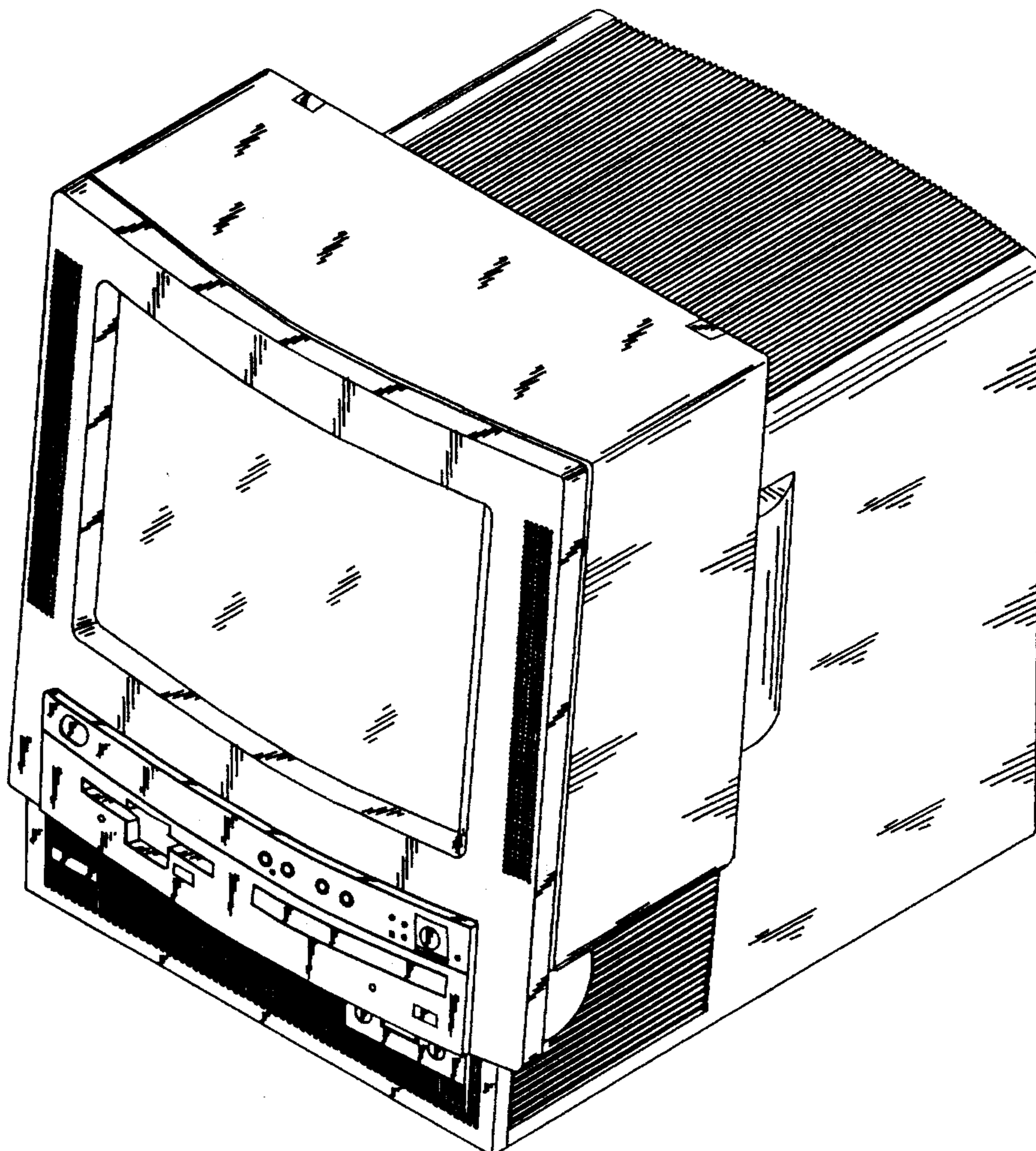


FIG. 1

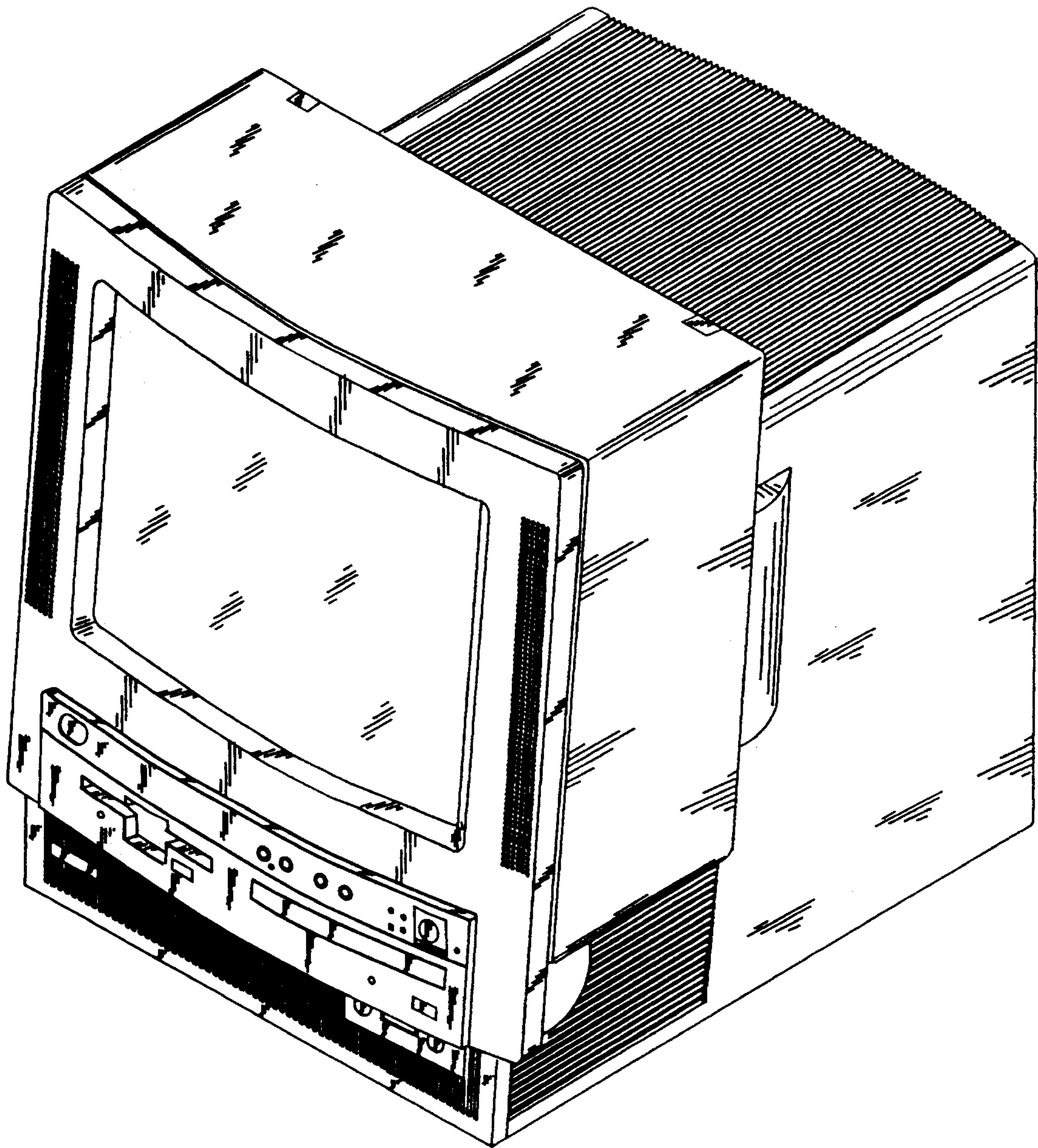


FIG. 2

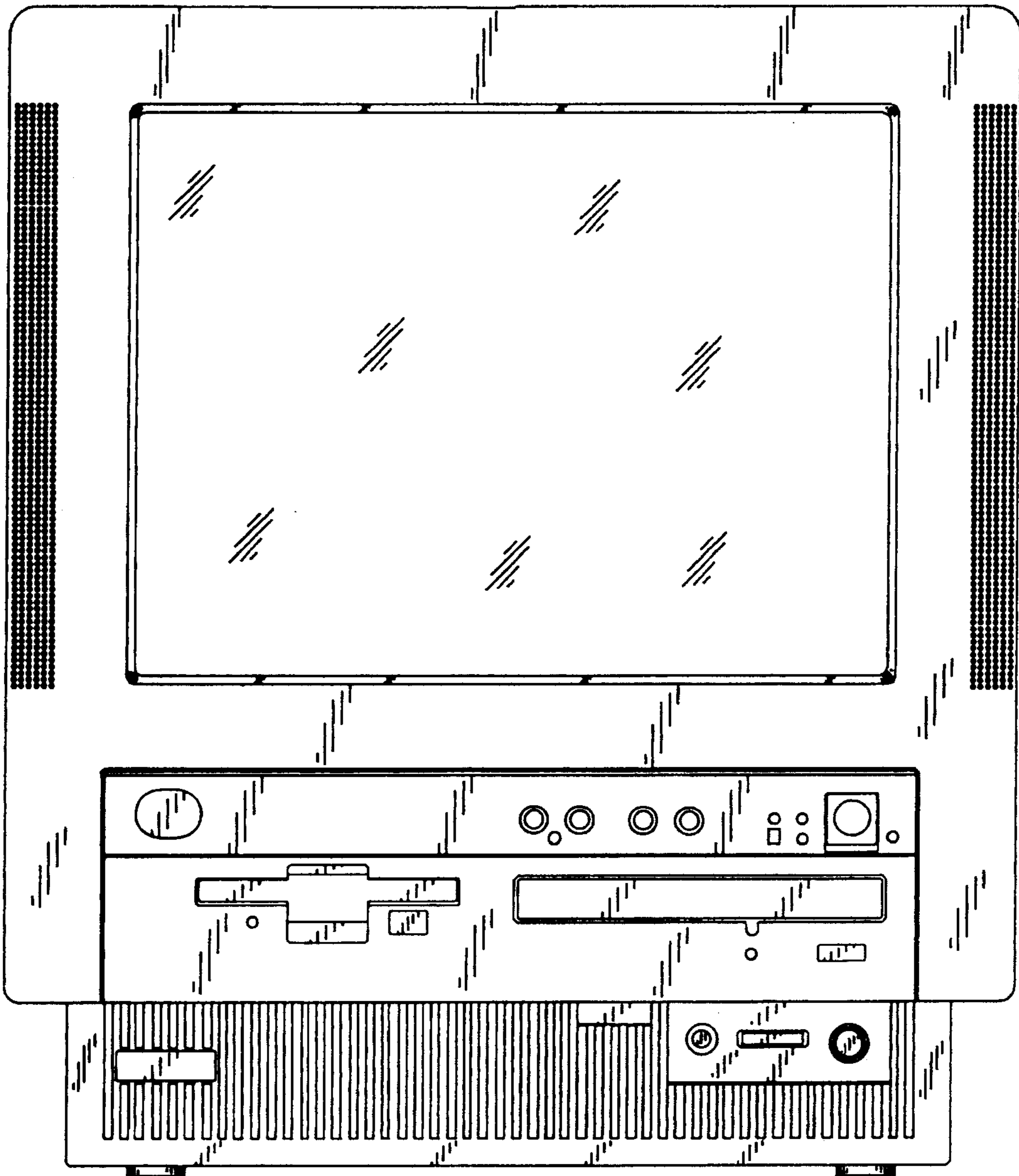


FIG. 3

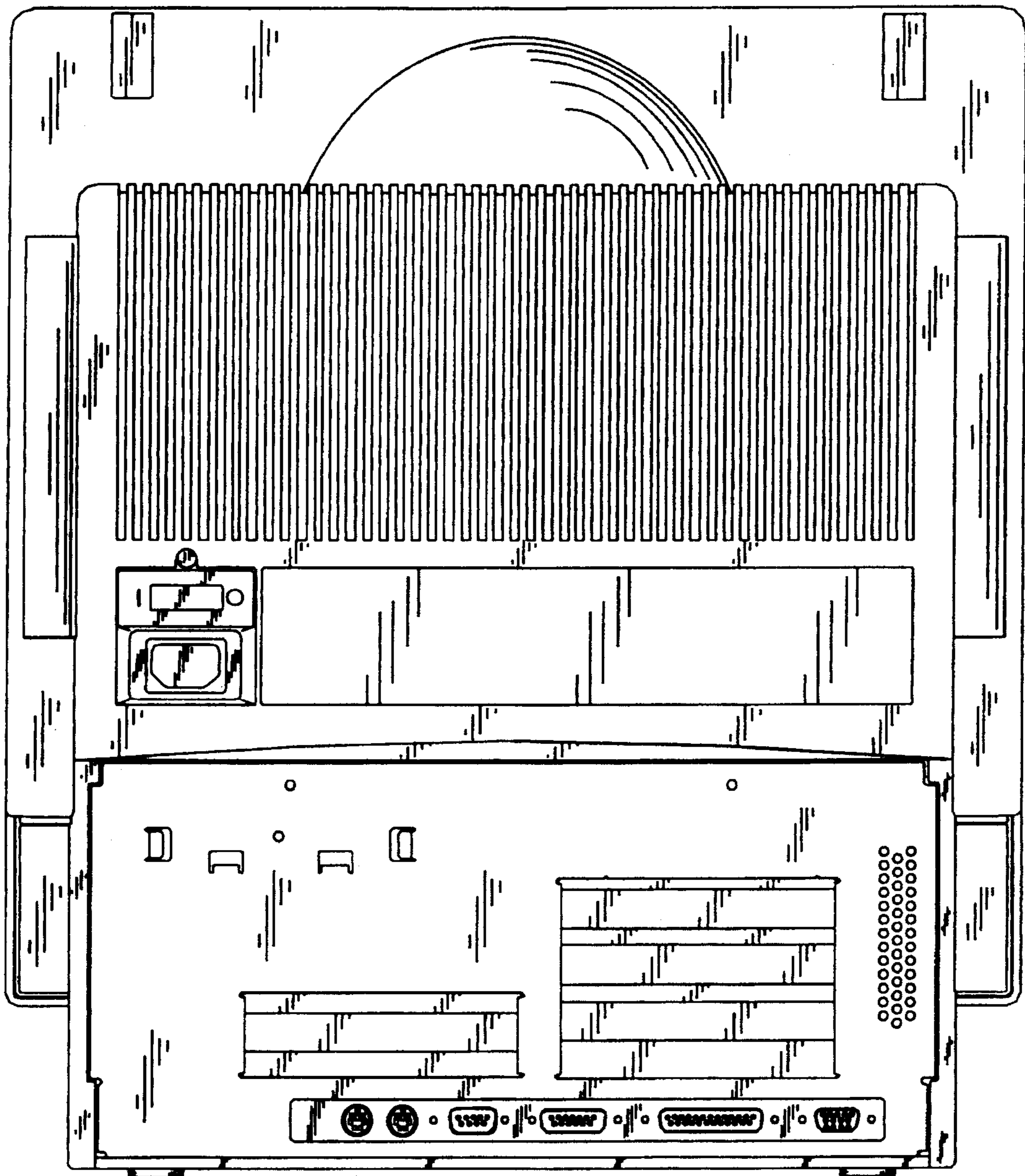


FIG. 4

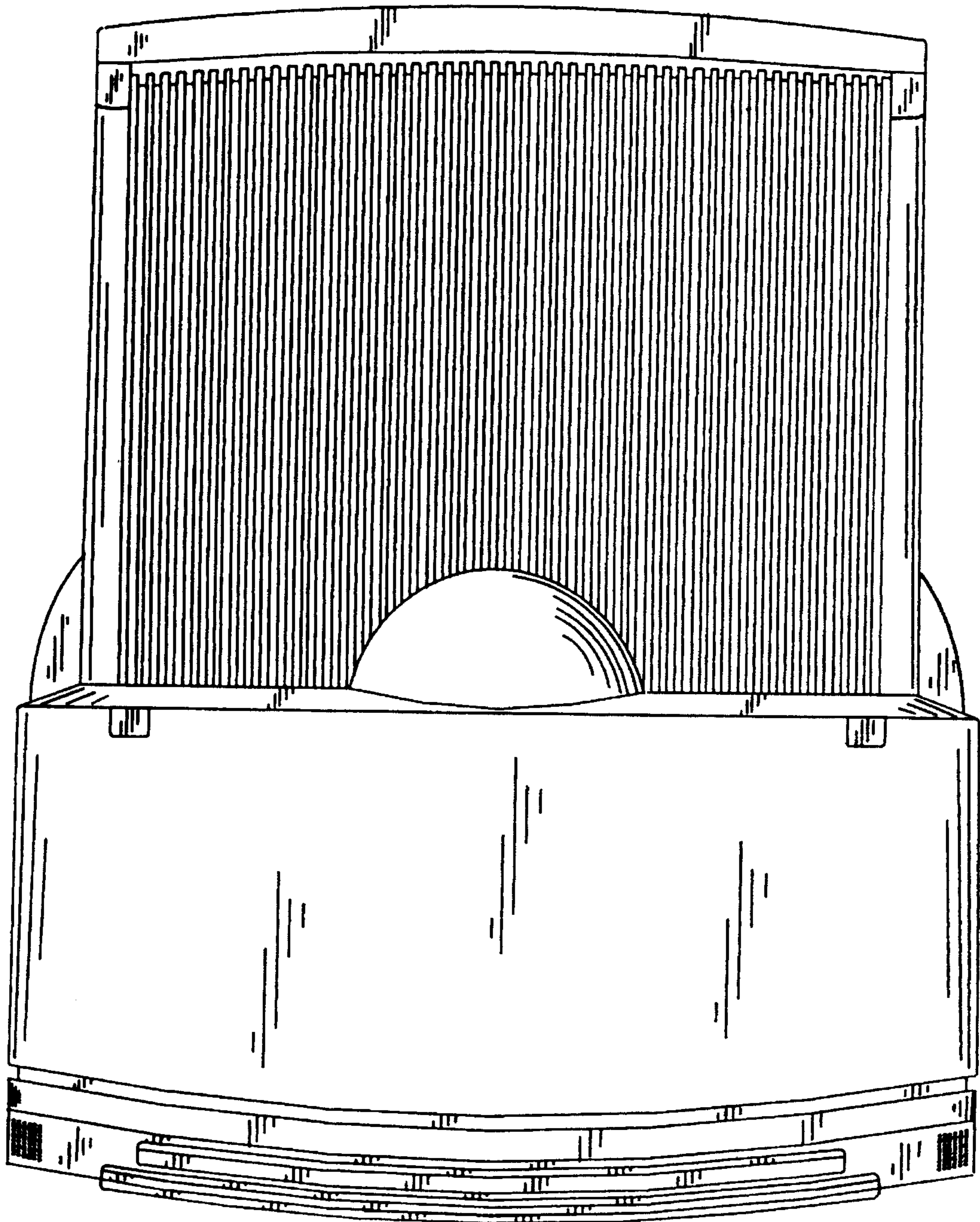


FIG. 5

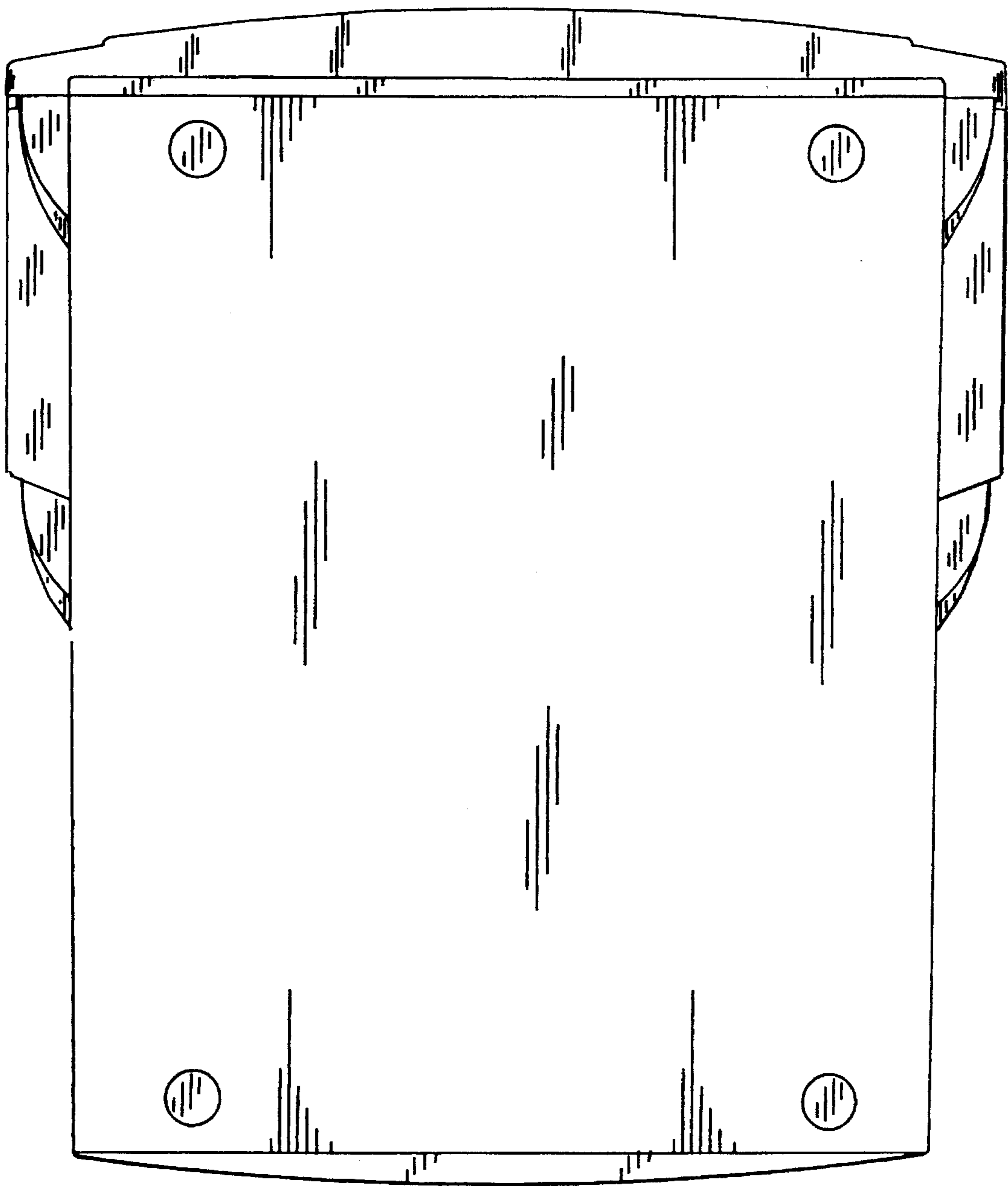


FIG. 6

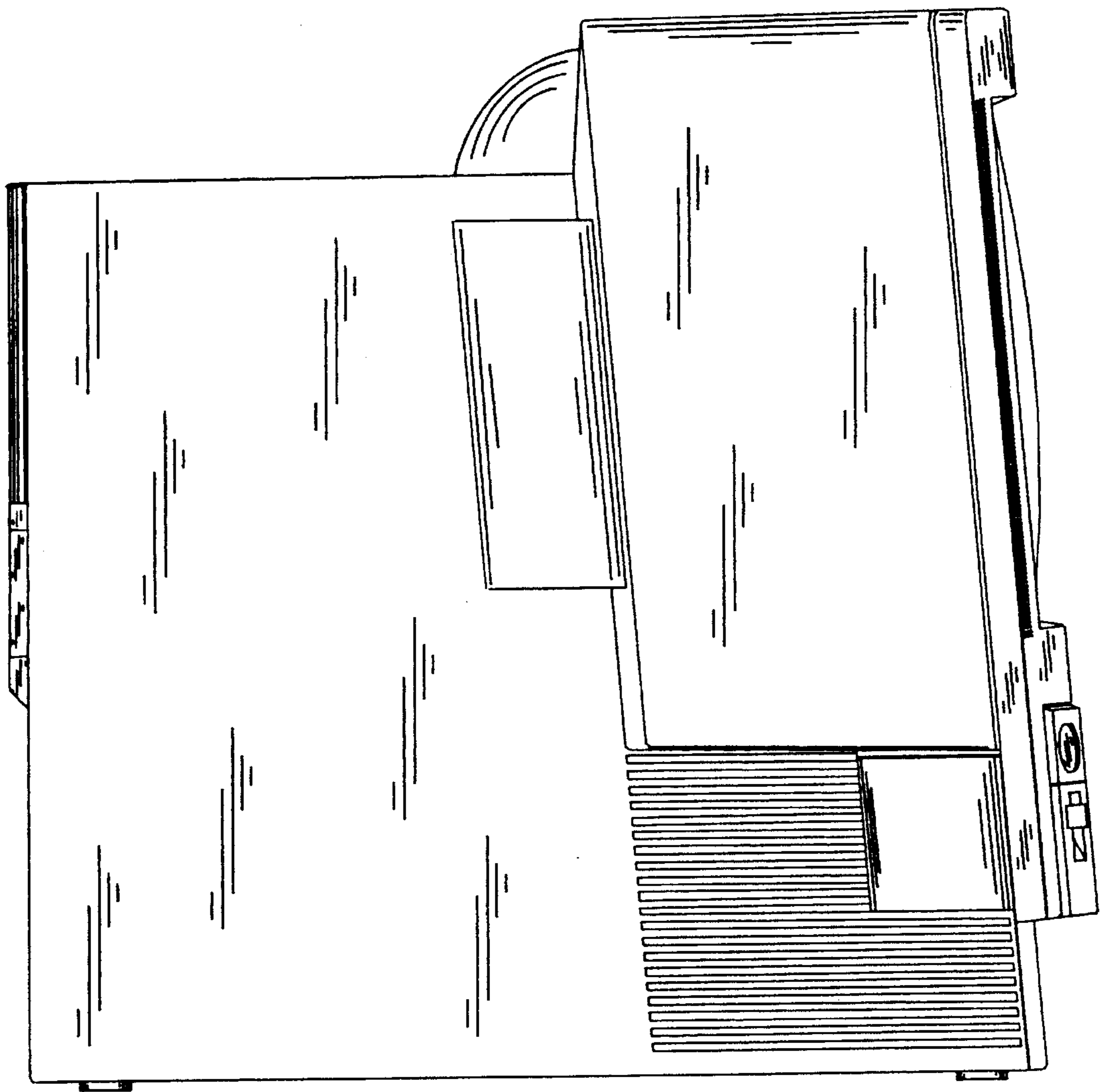


FIG. 7

