



US00D372897S

# United States Patent [19]

Curry et al.

[11] Patent Number: **Des. 372,897**

[45] Date of Patent: **\*\*Aug. 20, 1996**

[54] **FIBER OPTIC SPLICE TRAY**

5,457,763 10/1995 Kerry et al. .... 385/134 X

[75] Inventors: **William J. Curry**, Apex; **William N. Beauchamp**, Raleigh; **John A. Kizis**, Fuquay-Varina, all of N.C.

*Primary Examiner*—Antoine Duval Davis  
*Attorney, Agent, or Firm*—Herbert G. Burkard; William D. Zahrt, II

[73] Assignee: **Raychem Corporation**, Menlo Park, Calif.

### [57] CLAIM

[\*\*] Term: **14 Years**

The ornamental design for a fiber optic splice tray, as shown and described.

[21] Appl. No.: **37,591**

### DESCRIPTION

[22] Filed: **Apr. 17, 1995**

[52] U.S. Cl. .... **D13/184; D8/354**

[58] Field of Search ..... **D8/354; D13/184; 385/134, 135**

FIG. 1 is an isometric top view of the fiber optic splice tray showing our new design;  
FIG. 2 is an isometric bottom view thereof;  
FIG. 3 is a top plan view thereof;  
FIG. 4 is a bottom view thereof;  
FIG. 5 is a right side elevational view thereof;  
FIG. 6 is a left side elevational view thereof;  
FIG. 7 is a front side elevational view thereof; and,  
FIG. 8 is a rear side elevational view thereof.

### [56] References Cited

#### U.S. PATENT DOCUMENTS

5,222,183	6/1993	Daems et al. ....	385/135
5,285,515	2/1994	Milanowski et al. ....	385/135
5,383,051	1/1995	Delrosso et al. ....	385/135 X

**1 Claim, 6 Drawing Sheets**

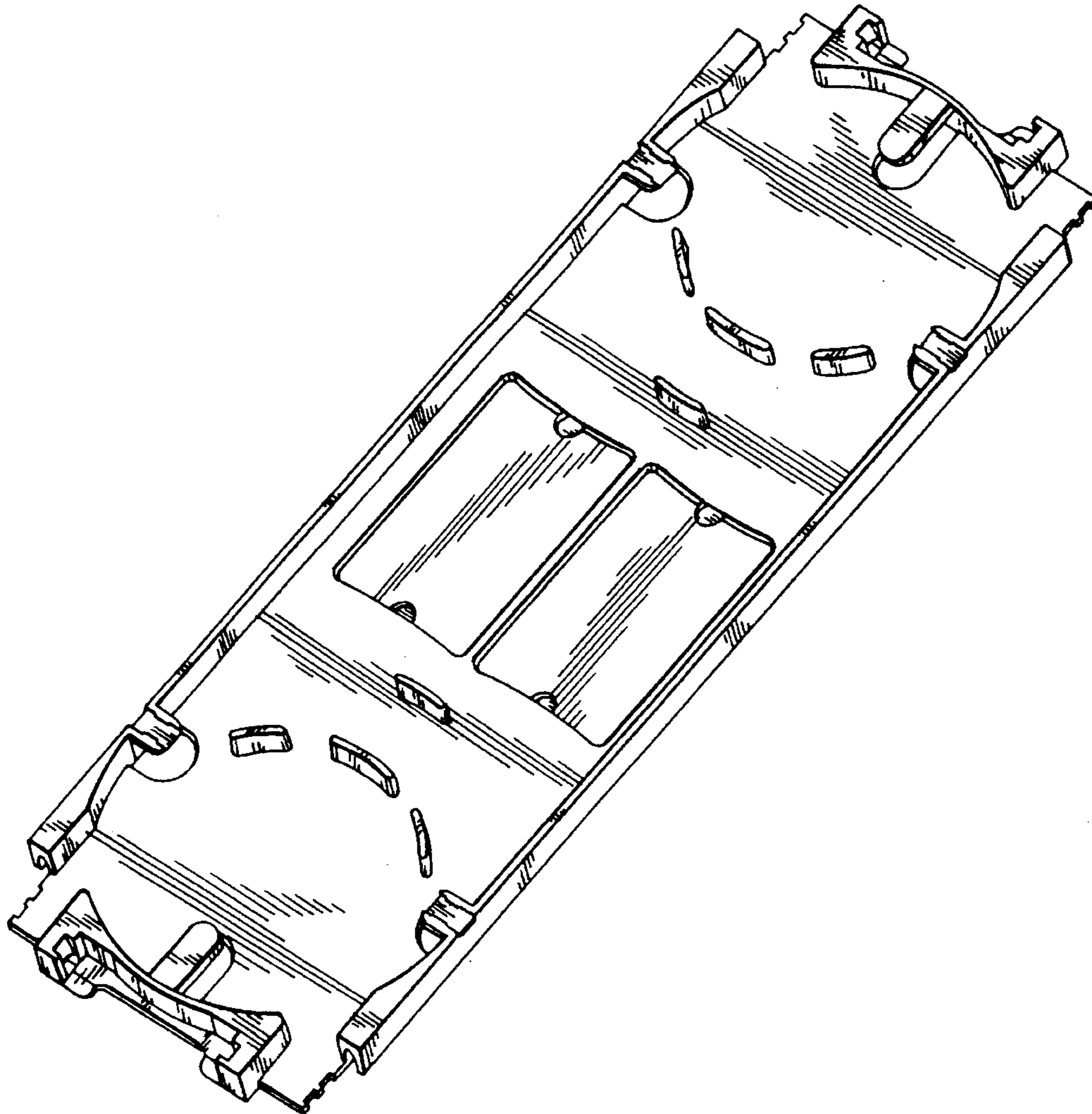


FIG. 1

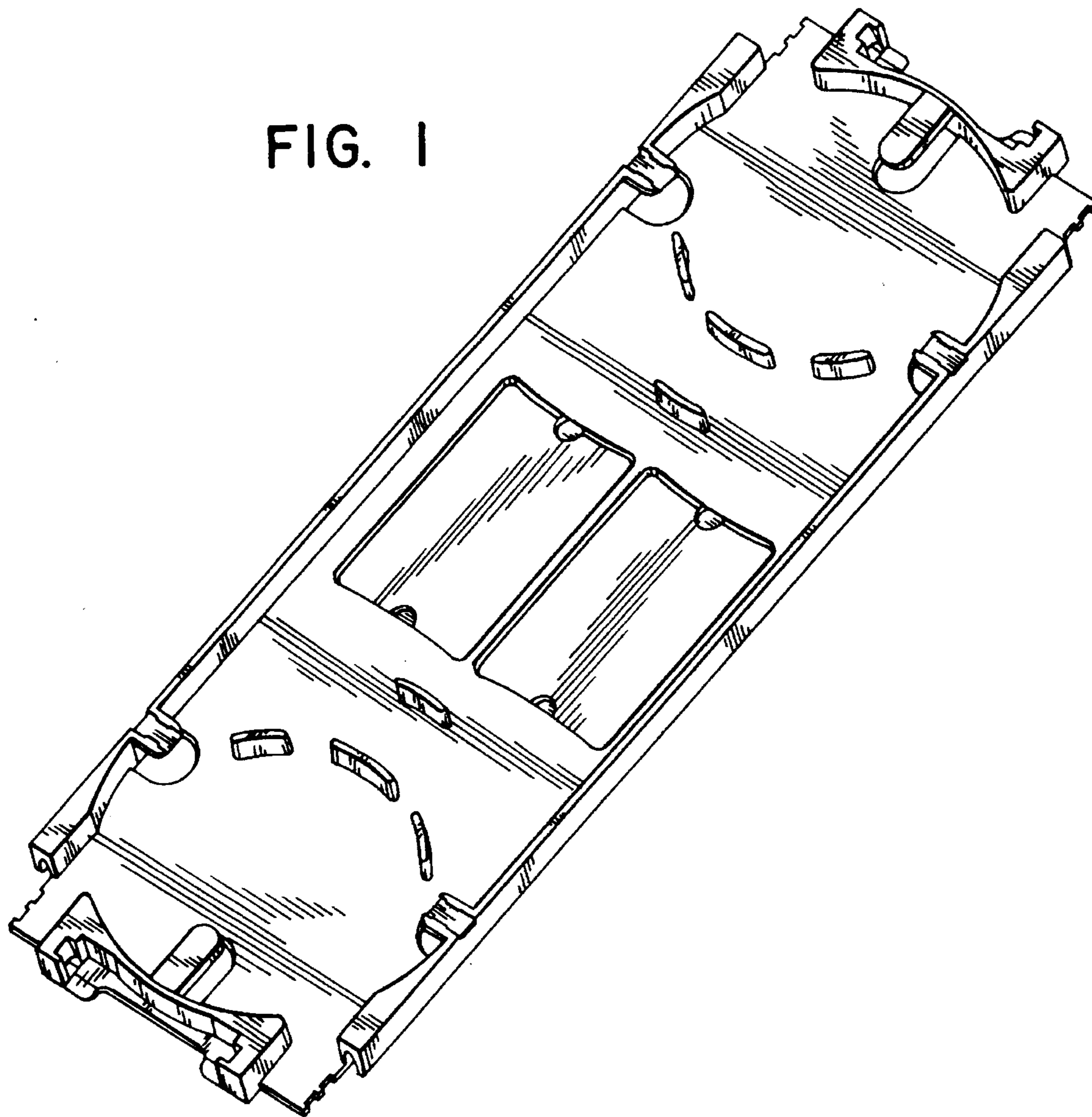


FIG. 2

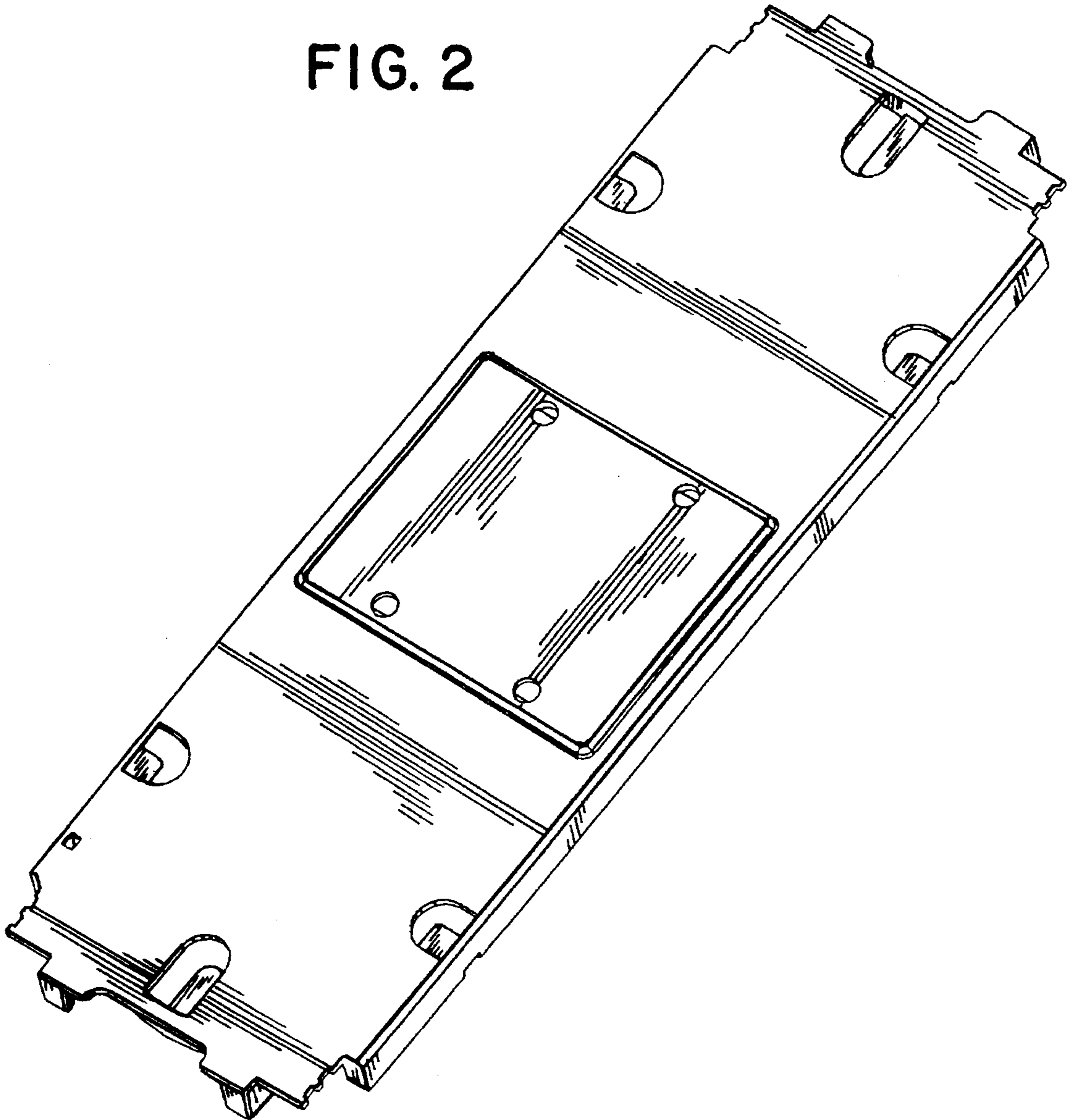


FIG. 3

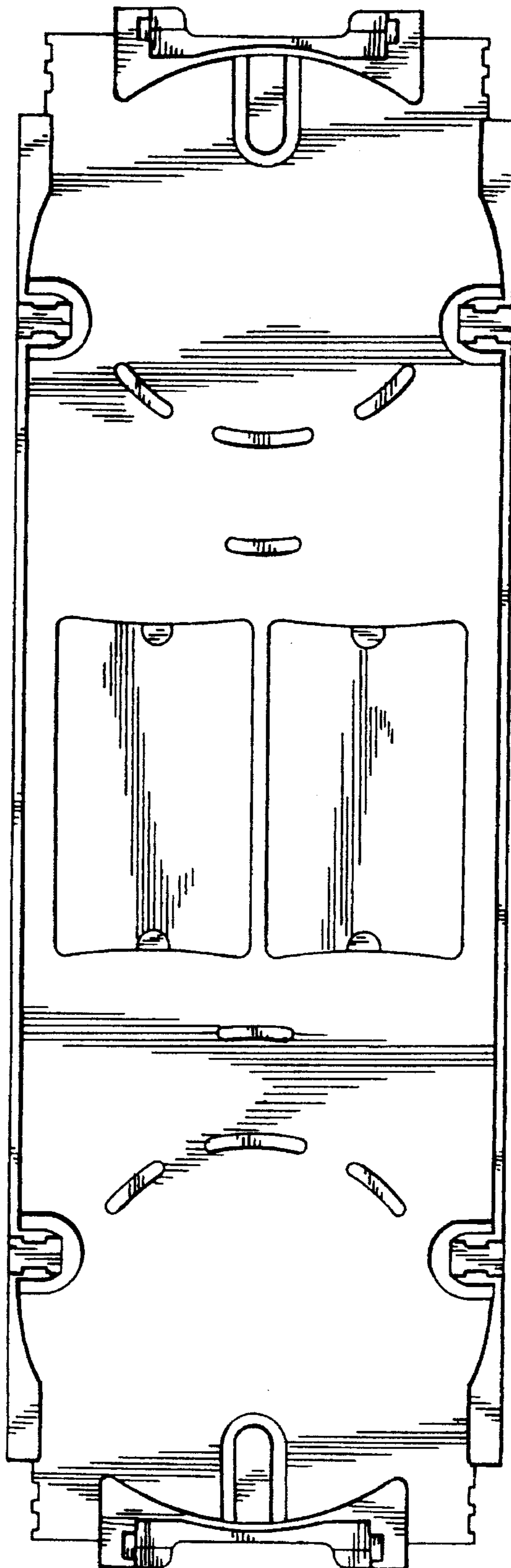


FIG. 4

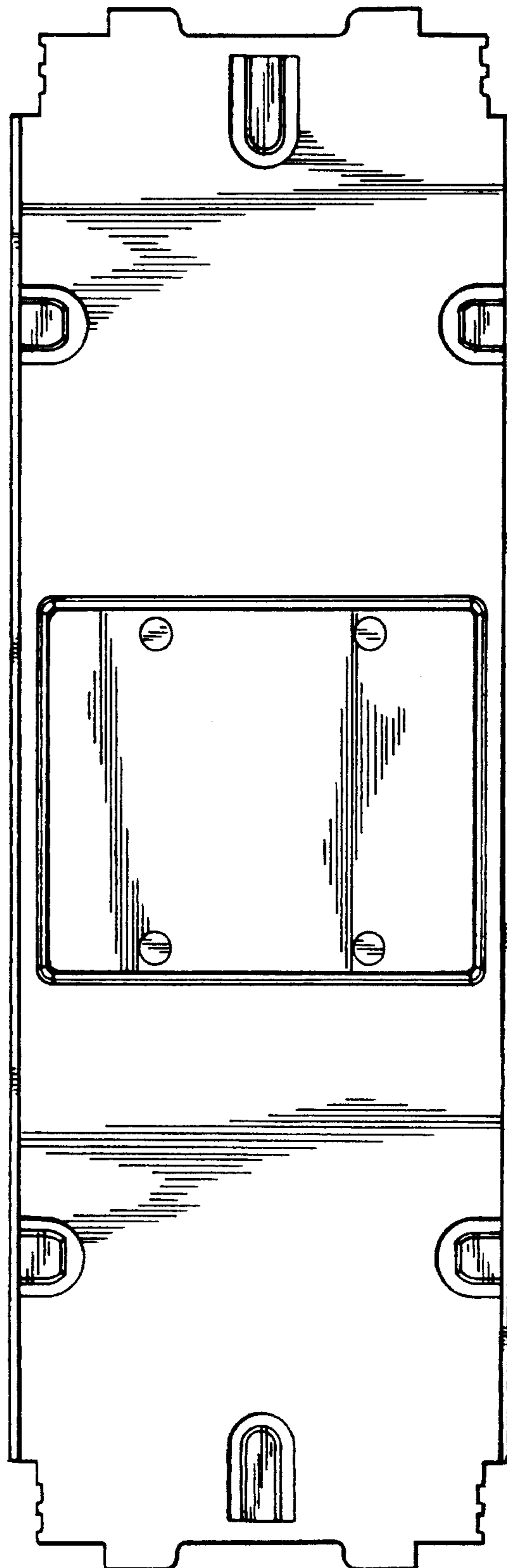


FIG. 5

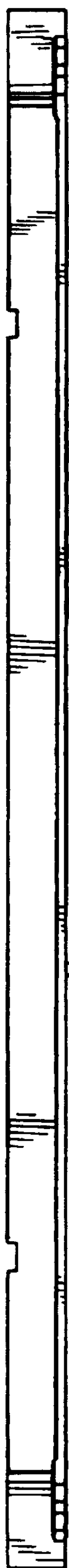


FIG. 6



FIG. 7

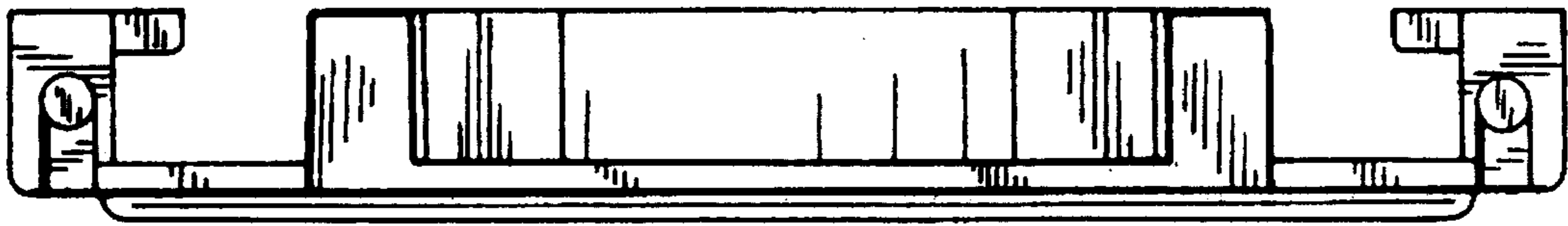


FIG. 8

