



US00D372896S

United States Patent [19]

[11] Patent Number: **Des. 372,896**

Nagele et al.

[45] Date of Patent: ****Aug. 20, 1996**

[54] **BATTERY HOUSING**

[75] Inventors: **Albert L. Nagele, Wilmette; James R. Brunette, Wheeling, both of Ill.**

[73] Assignee: **Motorola, Inc., Schaumburg, Ill.**

[**] Term: **14 Years**

[21] Appl. No.: **40,221**

[22] Filed: **Jun. 13, 1995**

[52] U.S. Cl. **D13/103**

[58] Field of Search **D13/103, 110; 429/97, 98, 99, 121, 159, 163, 176**

[56] **References Cited**

U.S. PATENT DOCUMENTS

D. 305,717	1/1990	Soren et al.	D13/103
D. 320,780	10/1991	Nagele	D13/103
D. 353,361	12/1994	Nagle et al.	D13/103
D. 357,457	4/1995	Larson	D13/110

Primary Examiner—Joel Sincavage
Attorney, Agent, or Firm—Kevin D. Kaschke

[57] **CLAIM**

The ornamental design for a battery housing, as shown and described.

DESCRIPTION

FIG. 1 is a top, rear and left side perspective view of a first

embodiment of the battery housing showing our new design; FIG. 2 is a bottom, rear and right side perspective view of the first embodiment;

FIG. 3 is a right side elevation view of the first embodiment, the left side elevation view of the first embodiment being a mirror image of the right side elevation view of the first embodiment;

FIG. 4 is a bottom side plan view of the first embodiment;

FIG. 5 is a rear side elevation view of the first embodiment;

FIG. 6 is a front side elevation view of the first embodiment;

FIG. 7 is a top, rear and left side perspective view of a second embodiment of the battery housing showing our new design;

FIG. 8 is a bottom, rear and right side view of the second embodiment;

FIG. 9 is a right side elevation view of the second embodiment, the left side elevation view of the second embodiment being a mirror image of the right side elevation view of the second embodiment;

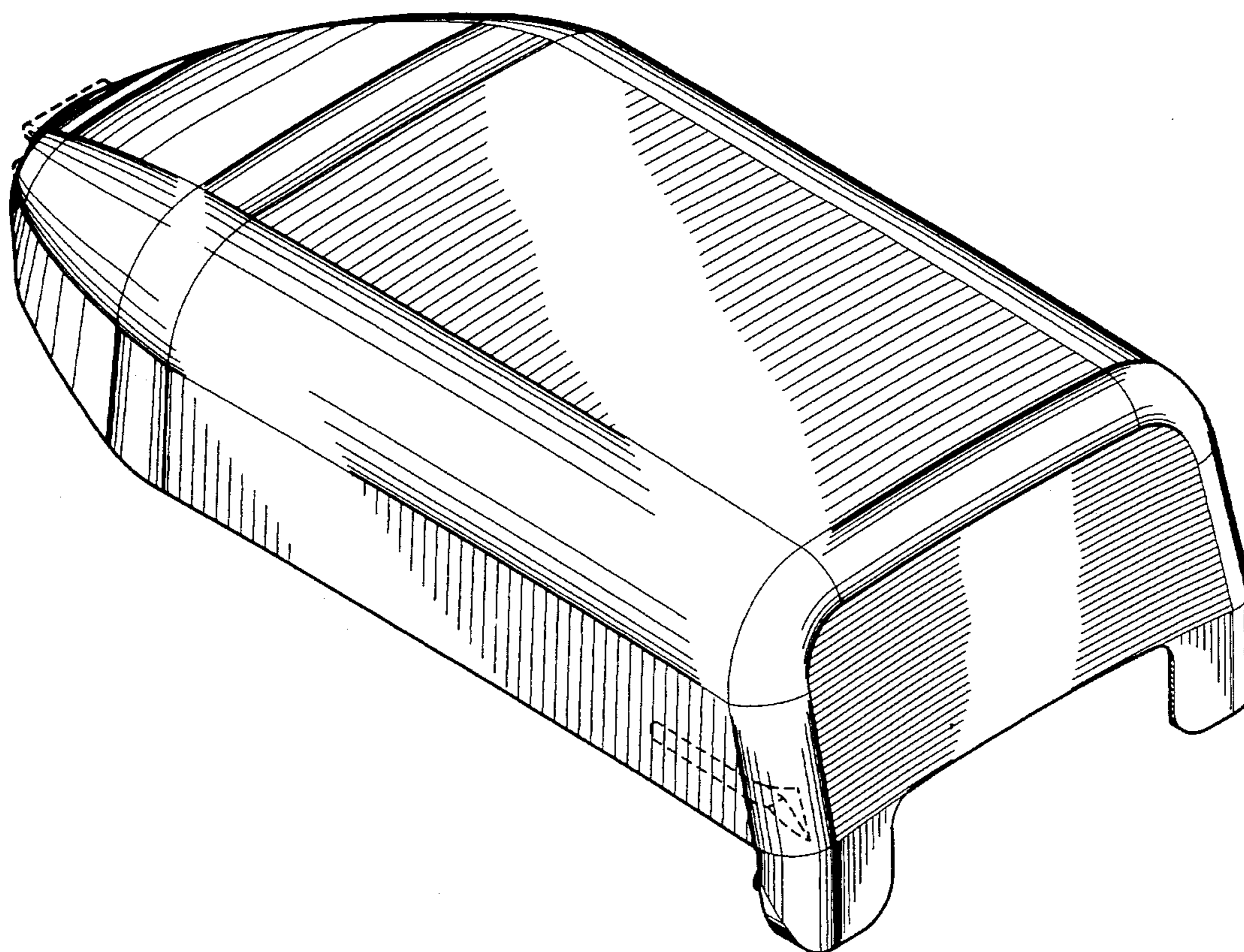
FIG. 10 is a bottom side plan view of the second embodiment;

FIG. 11 is a rear side elevation view of the second embodiment; and,

FIG. 12 is a front side elevation view of the second embodiment.

The broken line matter in all figures is for illustrative purposes only and forms no part of the claimed design.

1 Claim, 6 Drawing Sheets



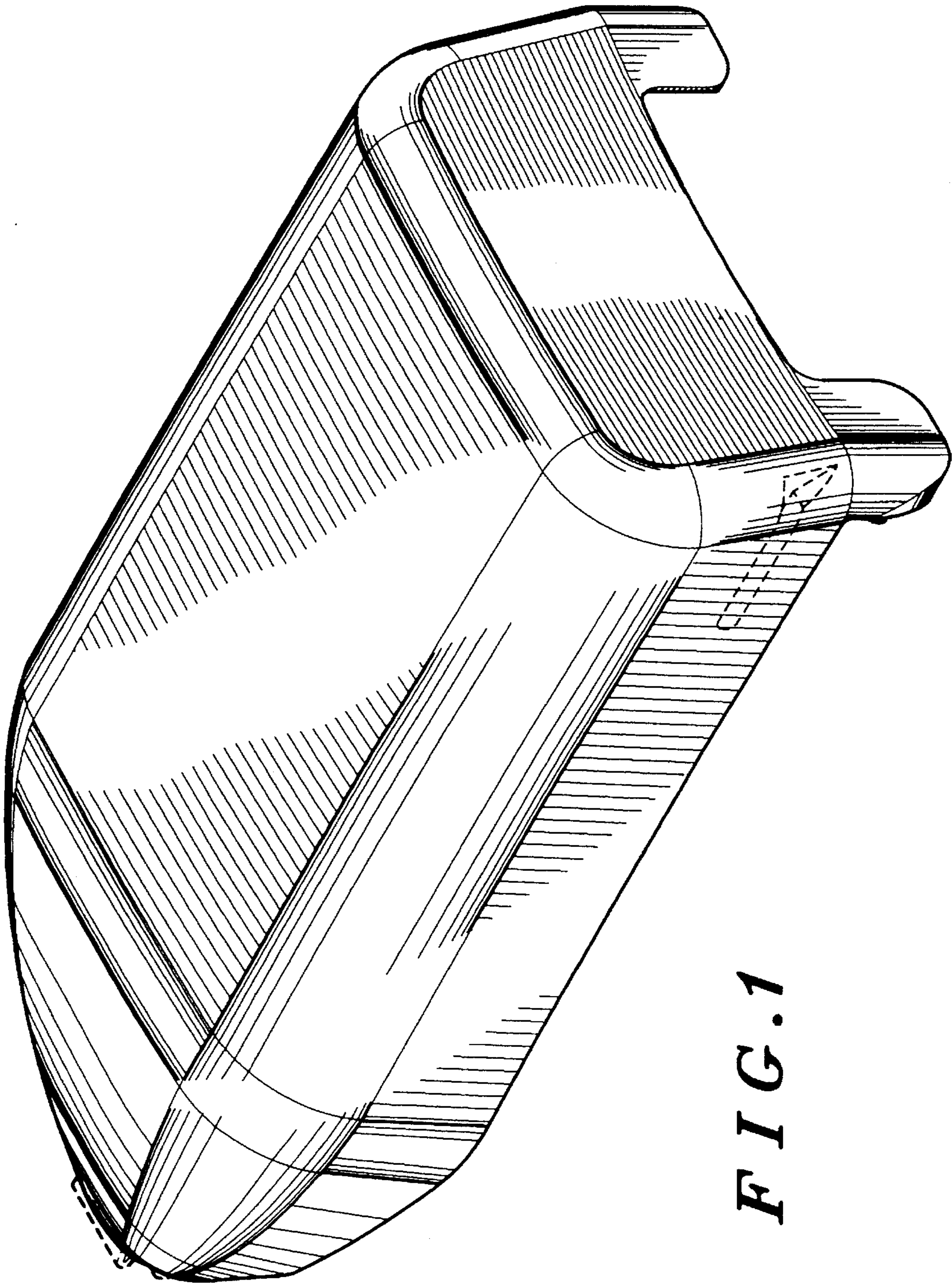


FIG. 1

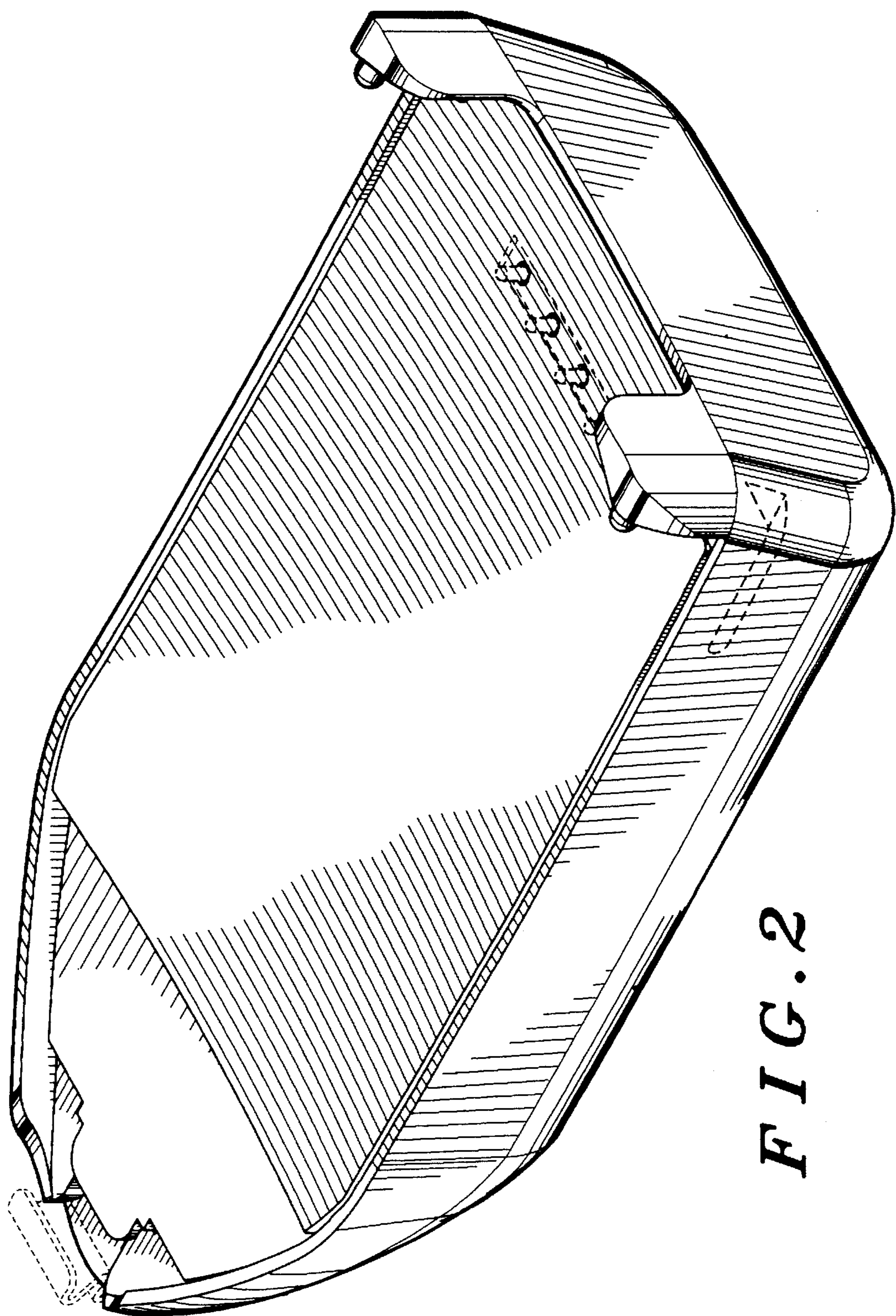


FIG. 2

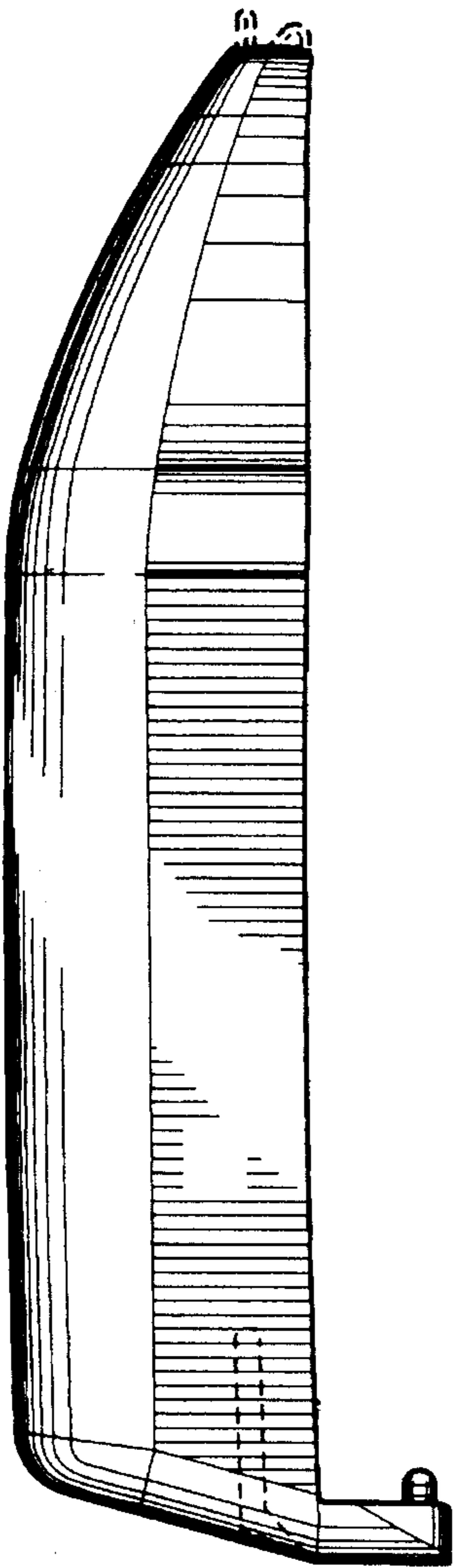


FIG. 3

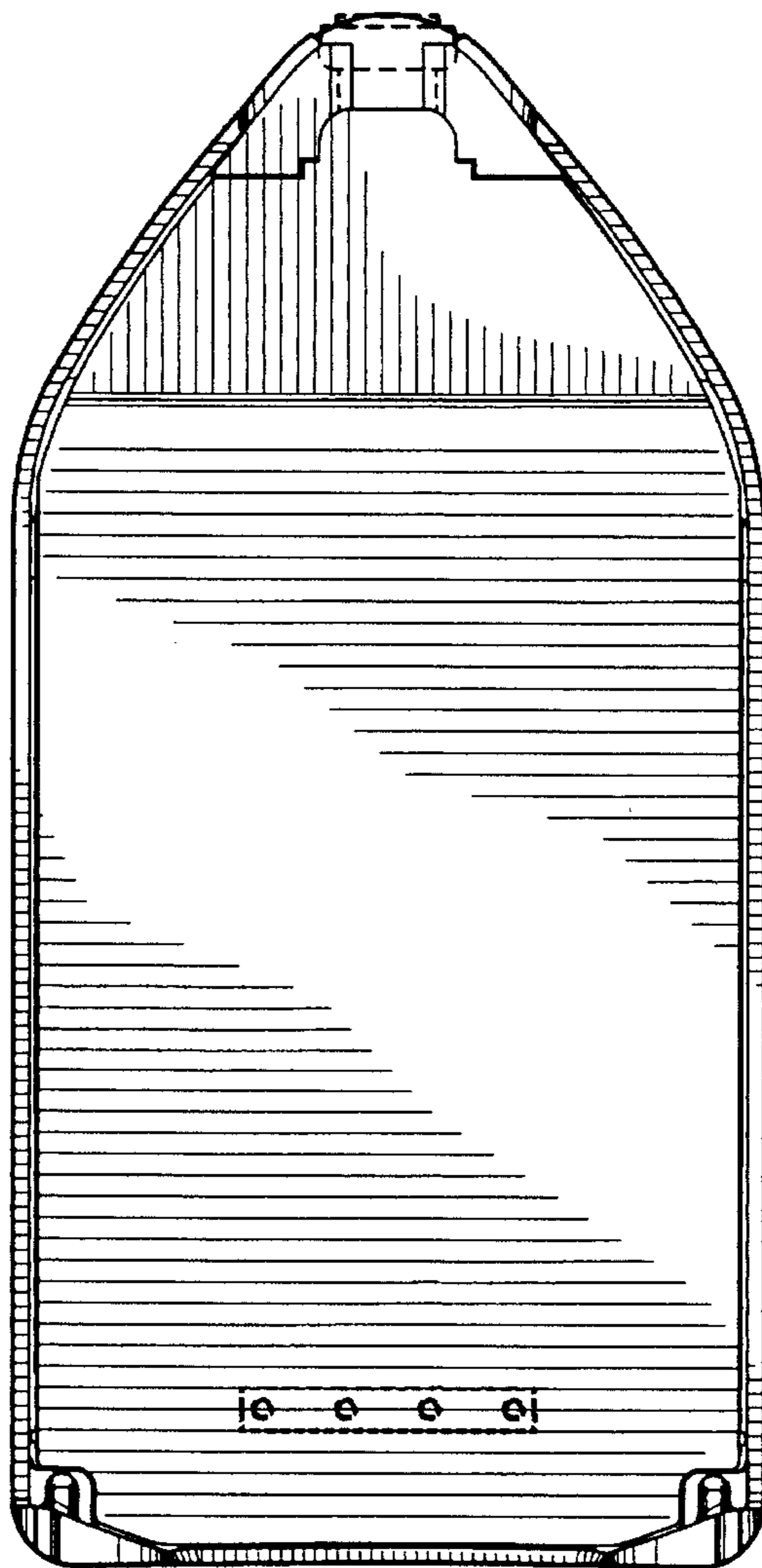


FIG. 4

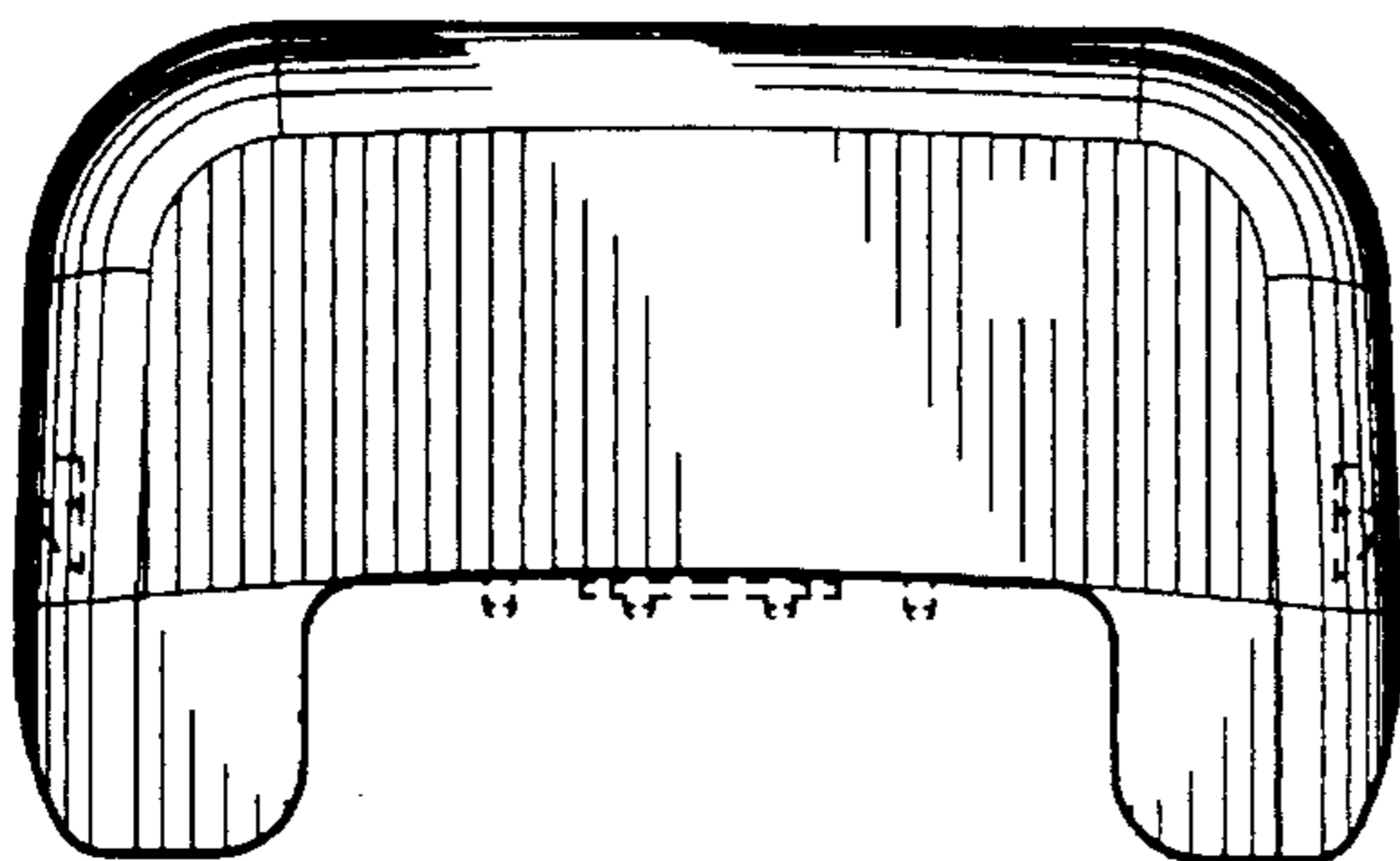


FIG. 5

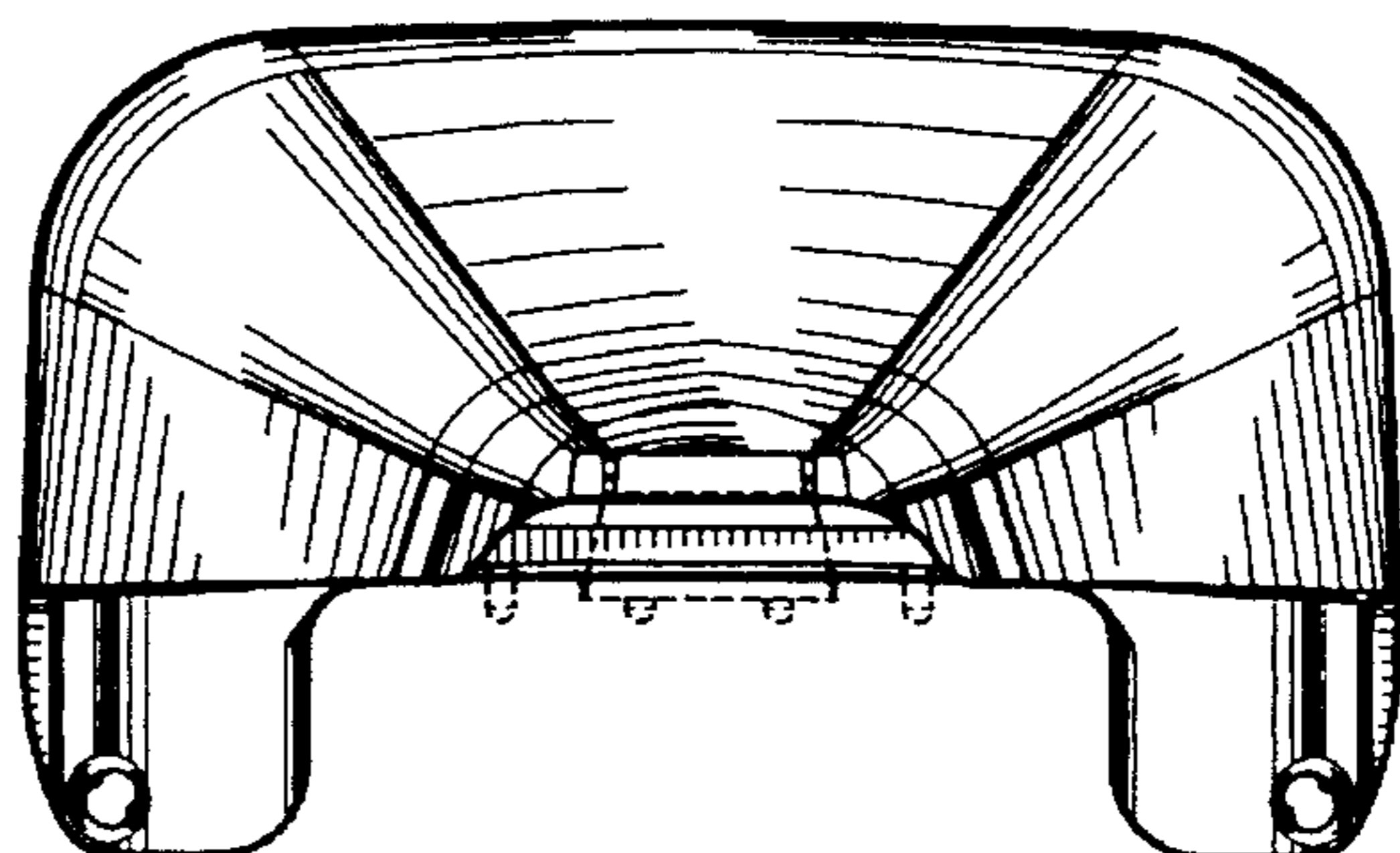


FIG. 6

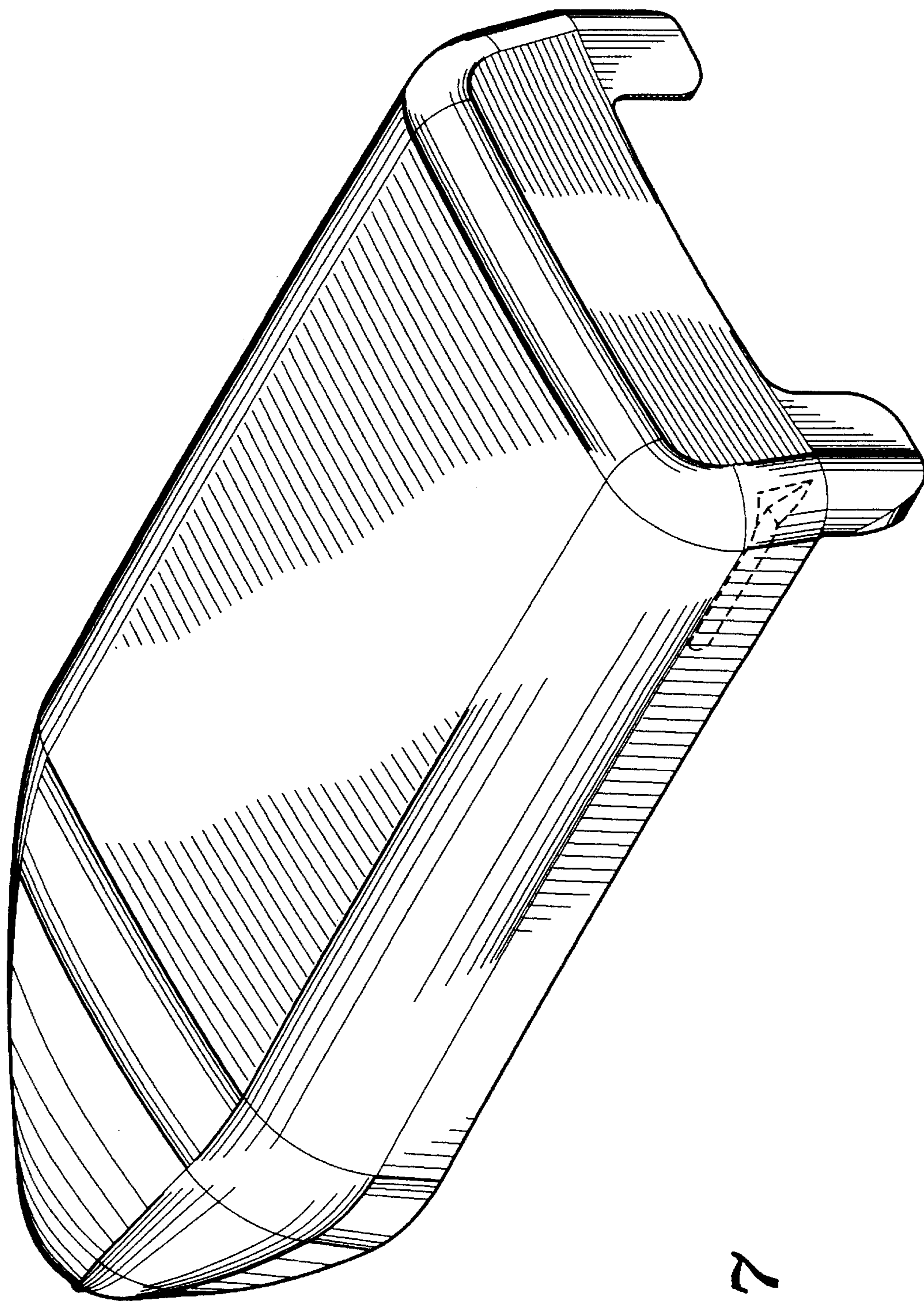


FIG. 7

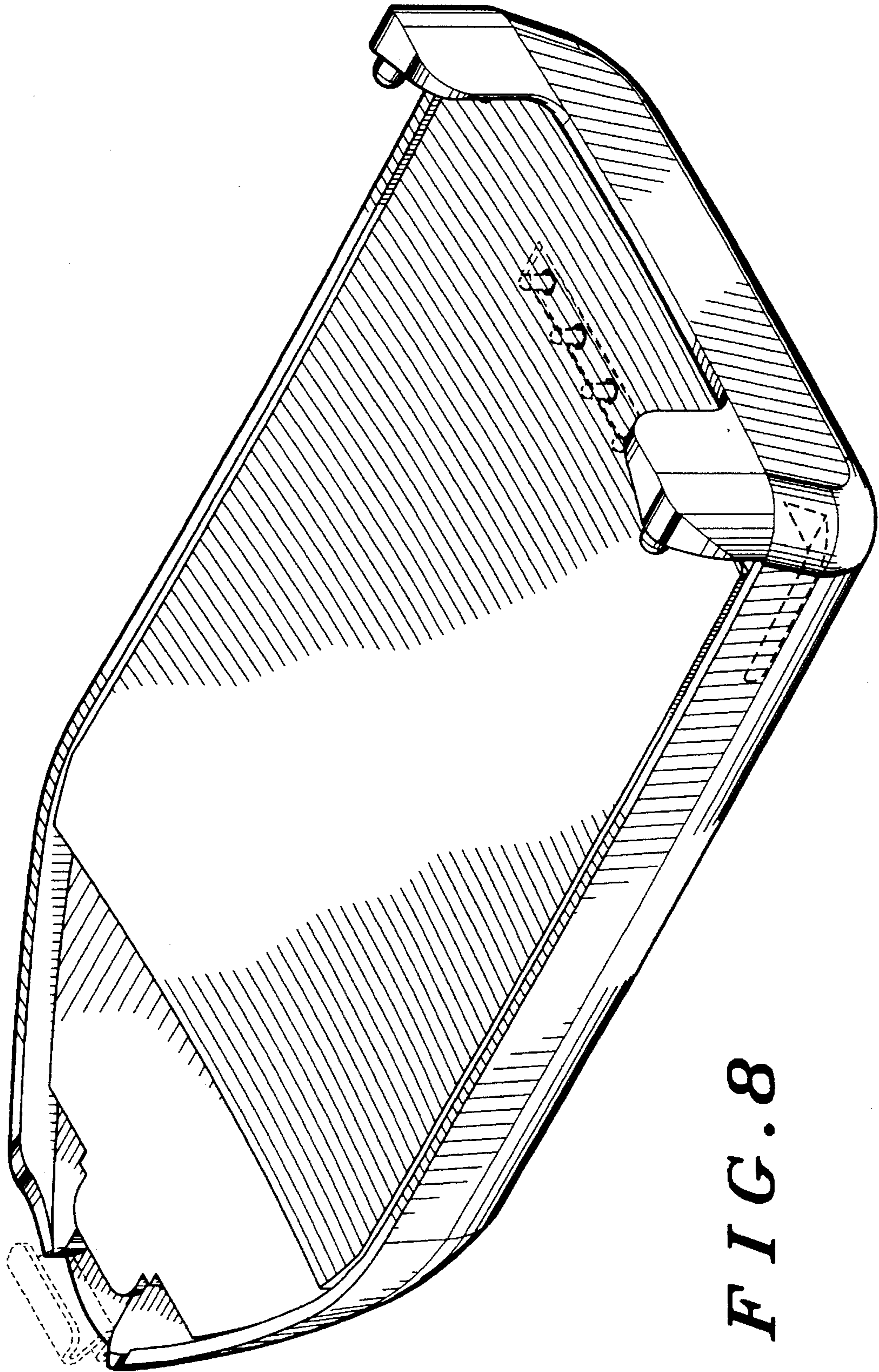


FIG. 8

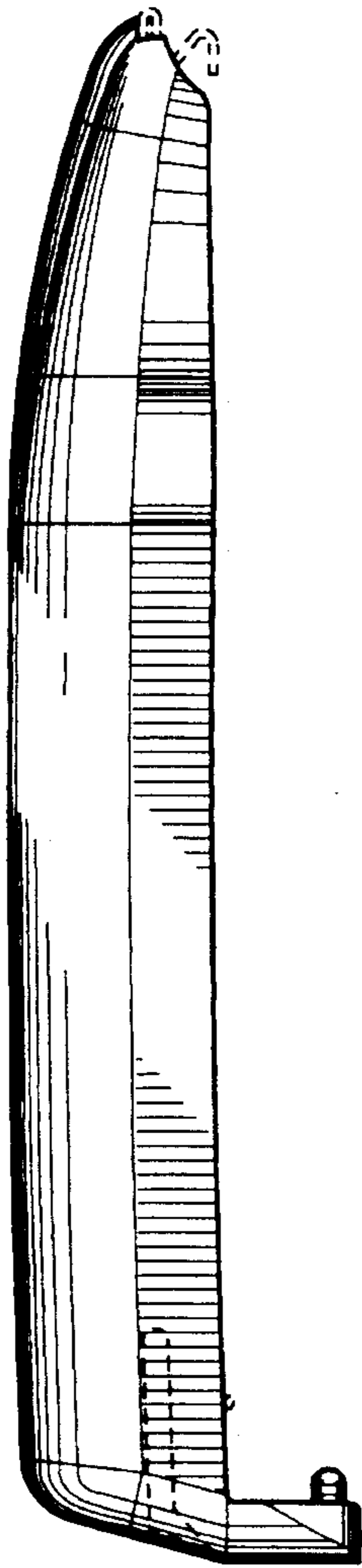


FIG. 9

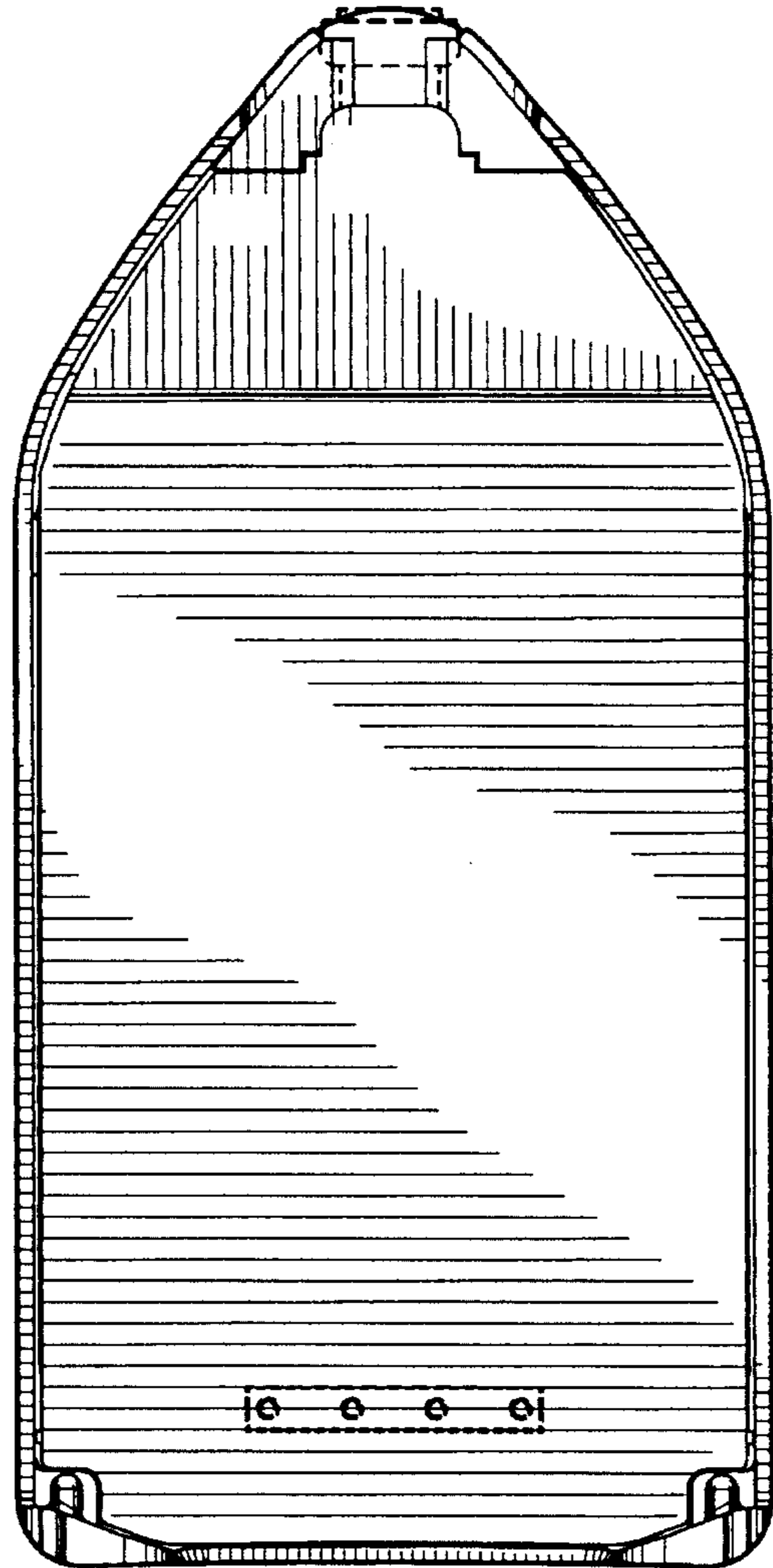


FIG. 10

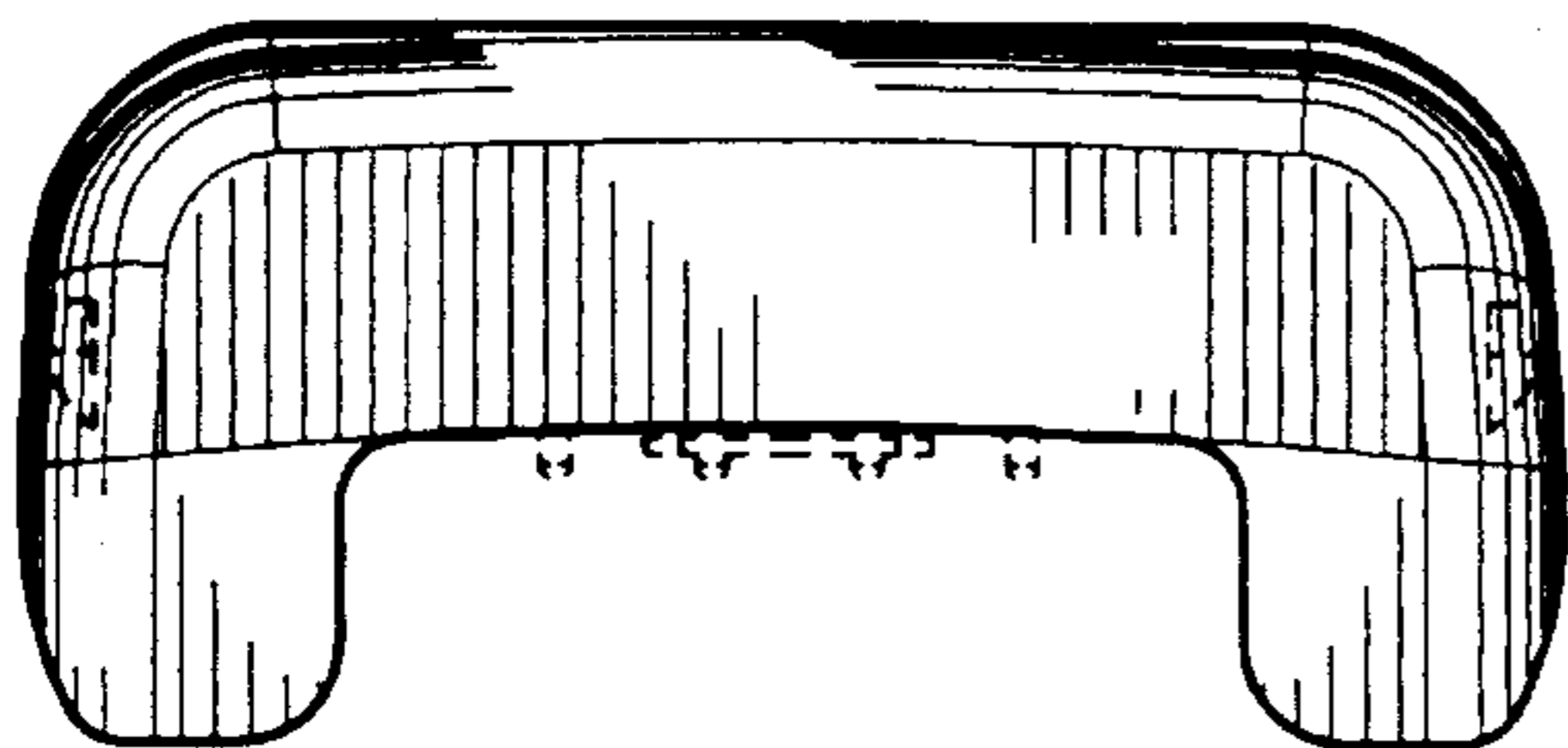


FIG. 11

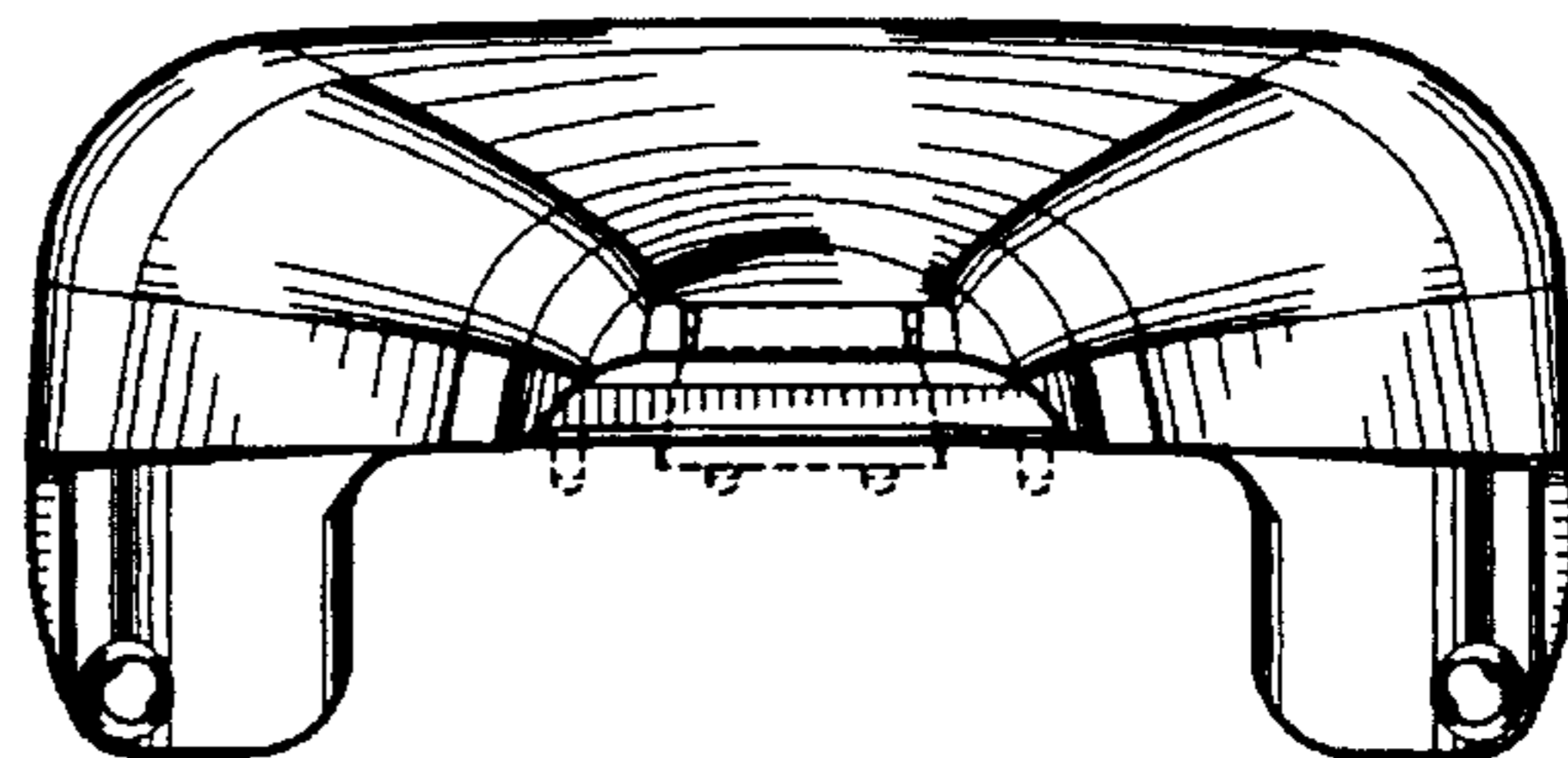


FIG. 12