



US00D372894S

# United States Patent [19]

[11] Patent Number: **Des. 372,894**

**Bernal et al.**

[45] Date of Patent: **\*\*Aug. 20, 1996**

[54] **LOUVERED TAILGATE**

5,411,312 5/1995 Stallings ..... 296/57.1 X

[76] Inventors: **Joe A. Bernal; Renee E. Bernal**, both of 100 Comanchero Trail, New Castle, Colo. 81647-9727

*Primary Examiner*—Alan P. Douglas  
*Assistant Examiner*—S. Snapp  
*Attorney, Agent, or Firm*—Dennis H. Lambert

[\*\*] Term: **14 Years**

[57] **CLAIM**

[21] Appl. No.: **34,409**

The ornamental design for a louvered tailgate, as shown and described.

[22] Filed: **Feb. 3, 1995**

**DESCRIPTION**

[52] U.S. Cl. .... **D12/196**

[58] Field of Search ..... D12/196, 197, D12/98, 181; 296/50, 56, 57.1, 180.1

FIG. 1 is a rear, top and side perspective view of the louvered tailgate embodying the design of the present invention;

FIG. 2 is a rear elevational view thereof;

FIG. 3 is a front elevational view thereof;

FIG. 4 is a side elevational view, the opposite side being a mirror image thereof;

FIG. 5 is a top plan view thereof; and,

FIG. 6 is a bottom plan view thereof.

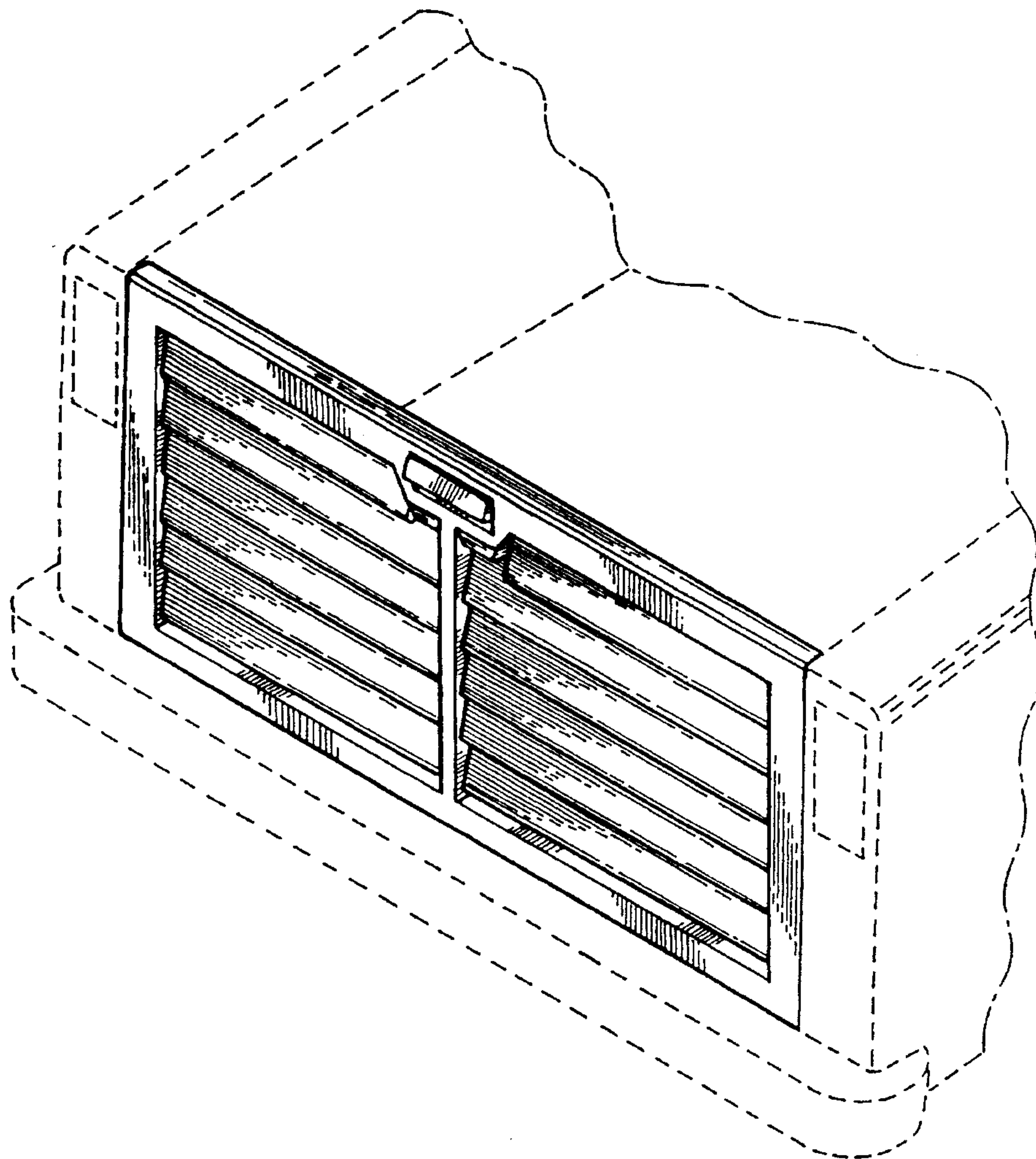
The broken line showing of a truck in FIG. 1 is for illustrative purposes only and forms no part of the claimed design.

[56] **References Cited**

**U.S. PATENT DOCUMENTS**

D. 295,278	4/1988	Smith	.....	D12/196
D. 327,465	6/1992	Word et al.	.....	D12/196
D. 351,580	10/1994	Montgomery	.....	D12/196
4,165,118	8/1979	Jensen	.....	296/50
4,763,944	8/1988	Fry et al.	.....	296/50
4,902,066	2/1990	Norman	.....	296/57.1 X
4,932,705	6/1990	Miller	.....	296/50
5,110,172	5/1992	Ney et al.	.....	296/50

**1 Claim, 3 Drawing Sheets**



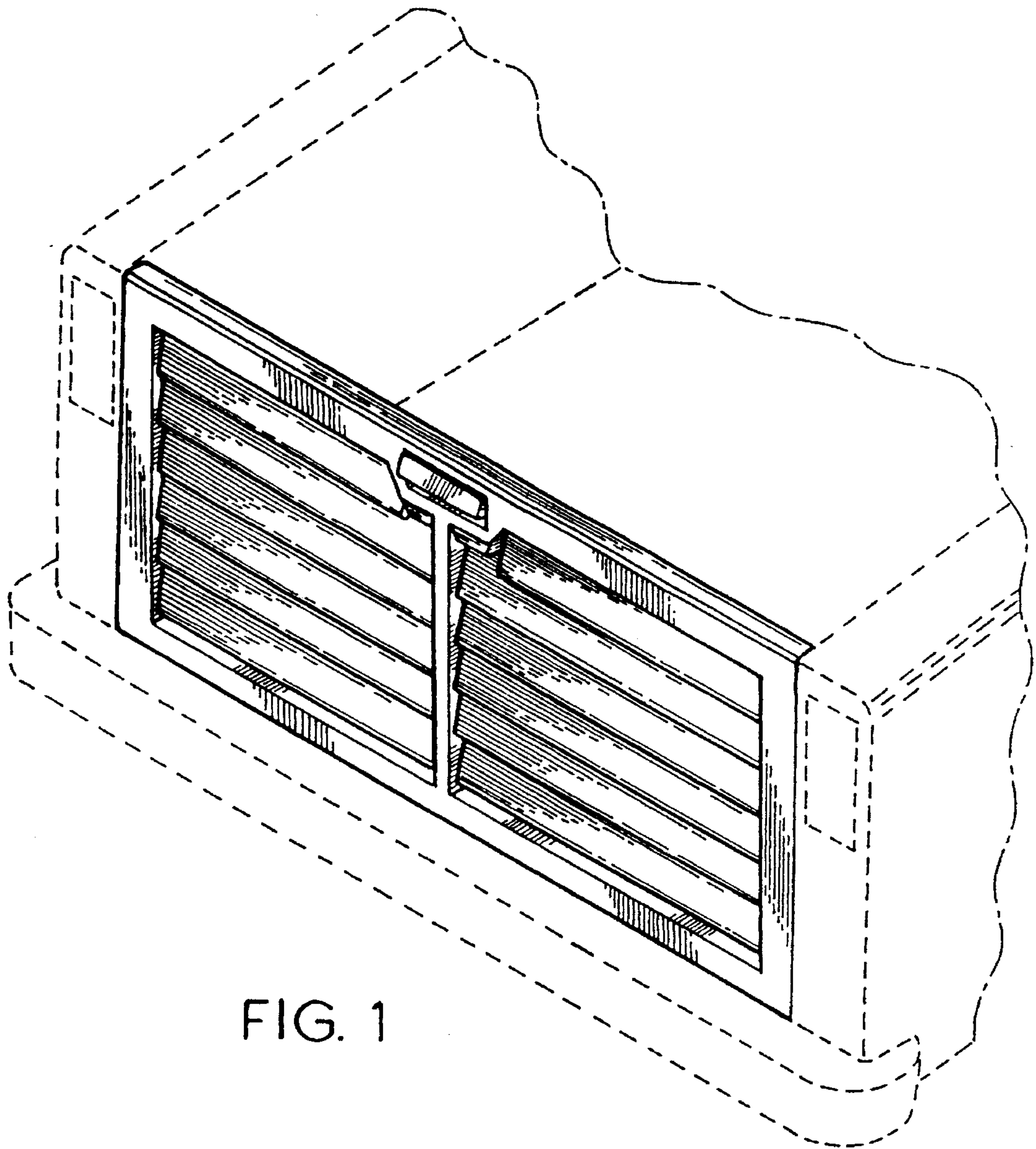


FIG. 1

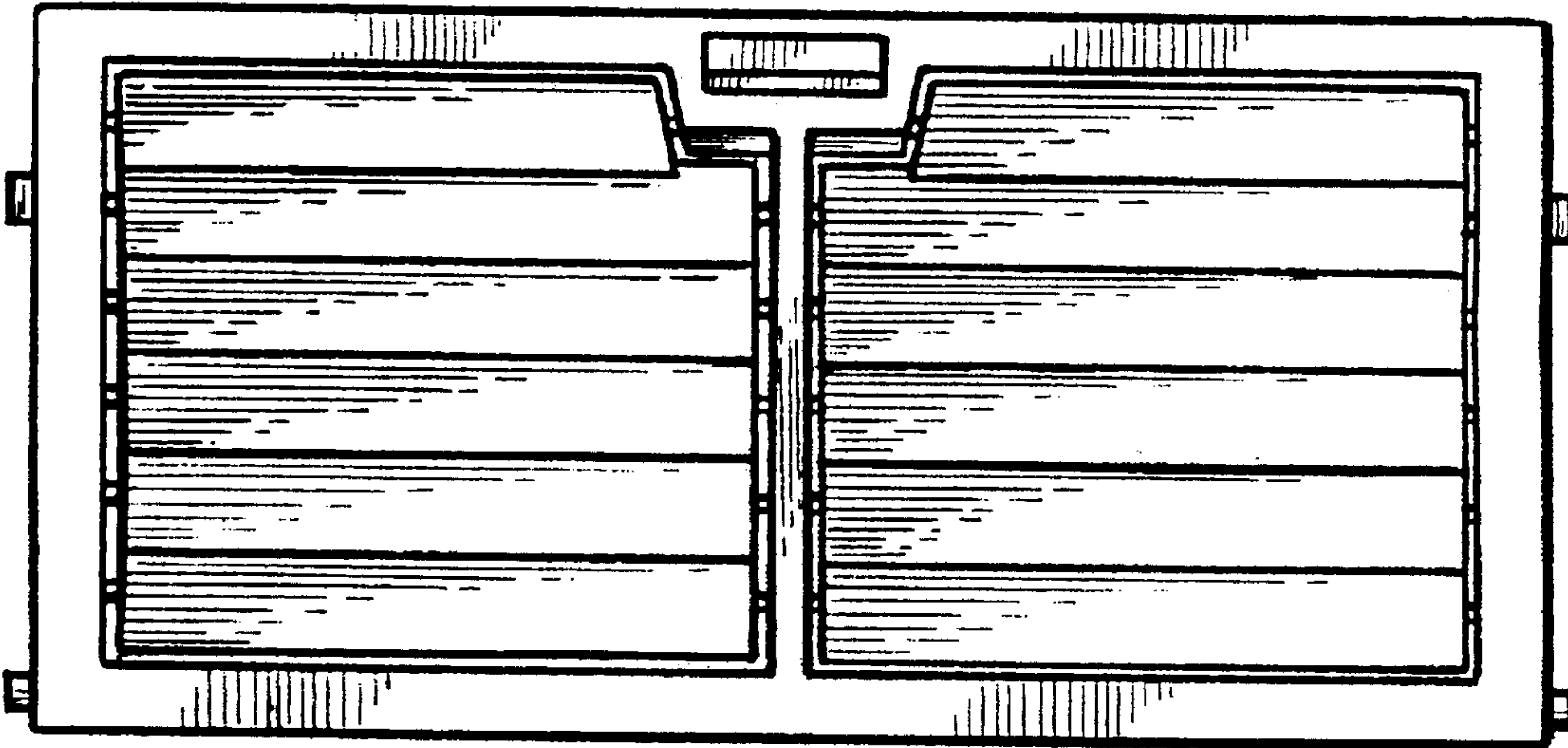


FIG. 2

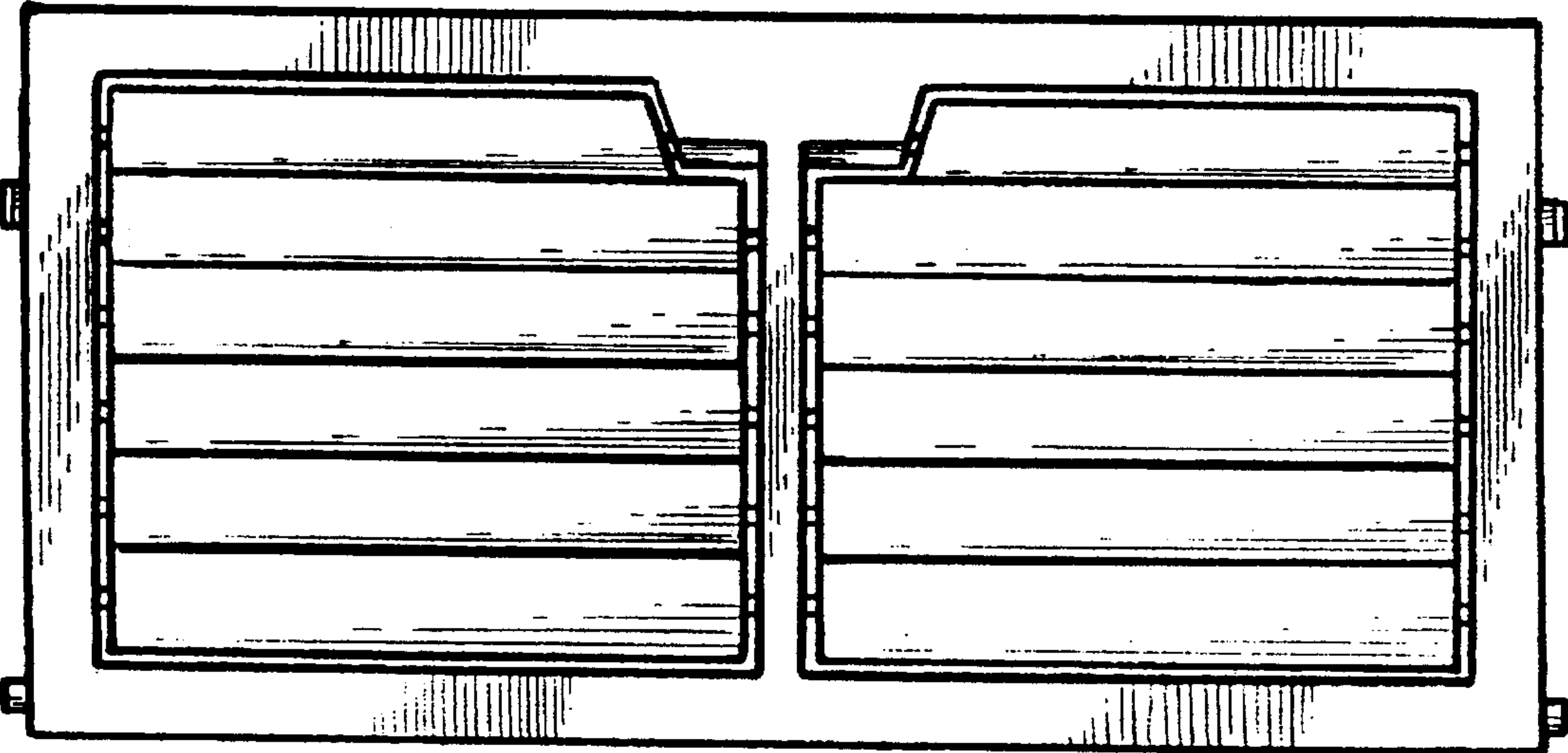


FIG. 3





FIG. 4



FIG. 5

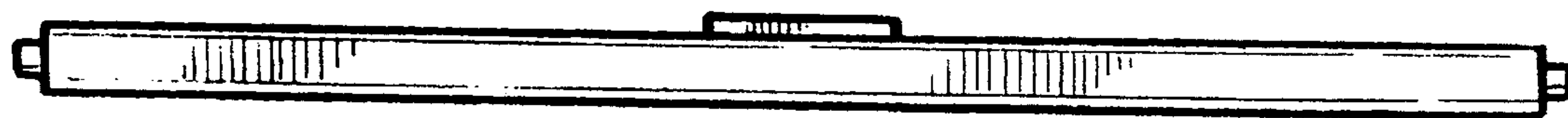


FIG. 6