



US00D372893S

United States Patent [19]
Harris

[11] **Patent Number: Des. 372,893**

[45] **Date of Patent: **Aug. 20, 1996**

[54] **MOTORCYCLE HANDLEBAR**

Attorney, Agent, or Firm—Scott J. Anchell

[76] **Inventor: Bruce Harris**, 4000 Spenard Rd., Anchorage, Ak. 99503

[57] **CLAIM**

[**] **Term: 14 Years**

The ornamental design for a motorcycle handlebar, as shown and described.

[21] **Appl. No.: 45,287**

DESCRIPTION

[22] **Filed: Oct. 16, 1995**

[52] **U.S. Cl. D12/178**

[58] **Field of Search** D12/178, 114, D12/110; 74/551.1, 551.3, 551.8, 551.9, 279; 280/288.4, 279; 180/219, 315

FIG. 1 is a top plan view of motorcycle handlebars showing my new design. Elements which support motorcycle handlebar according to the present invention with respect to a motorcycle, but do not form a part of the present invention, are illustrated with broken lines;

[56] **References Cited**

FIG. 2 is a bottom view of the motorcycle handlebar shown in FIG. 1;

U.S. PATENT DOCUMENTS

FIG. 3 is a side elevational view of the motorcycle handlebar shown in FIG. 1;

D. 253,588	12/1979	Ban et al.	D12/110
D. 273,775	5/1984	Aker et al.	D12/114
D. 286,521	11/1986	Tanaka et al.	D12/110
D. 304,555	11/1989	Nishiyama et al.	D12/110
D. 361,741	8/1995	Sofue et al.	D12/110
4,630,703	12/1986	Fletcher	74/551.8
4,641,723	2/1987	Takanashi et al.	180/315
5,269,196	12/1993	Rafac	74/551.1

FIG. 4 is a back elevational view of the motorcycle handlebar shown in FIG. 1;

OTHER PUBLICATIONS

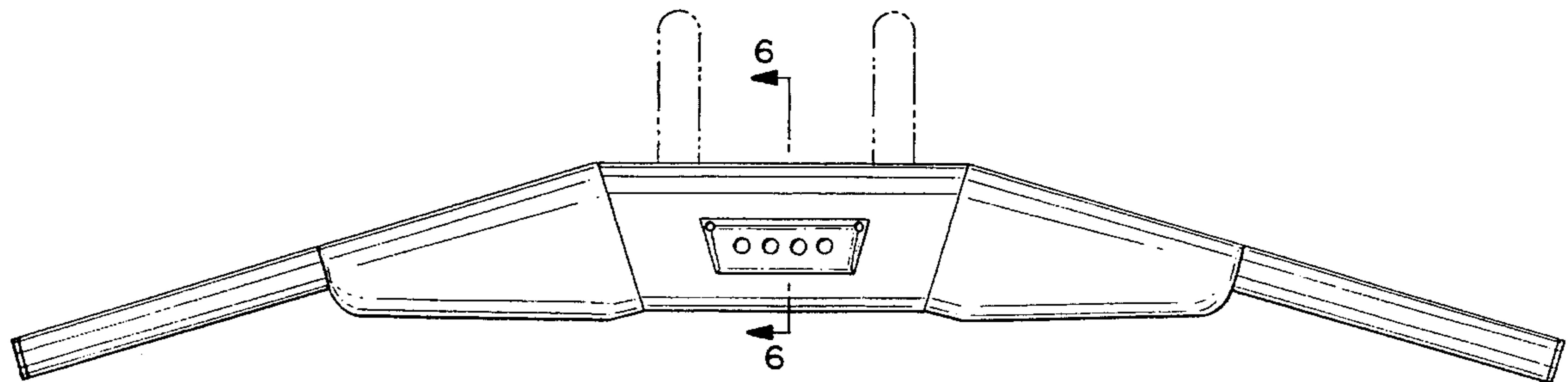
FIG. 5 is a front elevational view of the motorcycle handlebar shown in FIG. 1; and,

Drag Specialties Catalog, 1995, p. 367, the handlebar control kits.

FIG. 6 is a cross-section view taken of the motorcycle handlebar along line 6—6 in FIG. 1.

Primary Examiner—Melody N. Brown

1 Claim, 2 Drawing Sheets



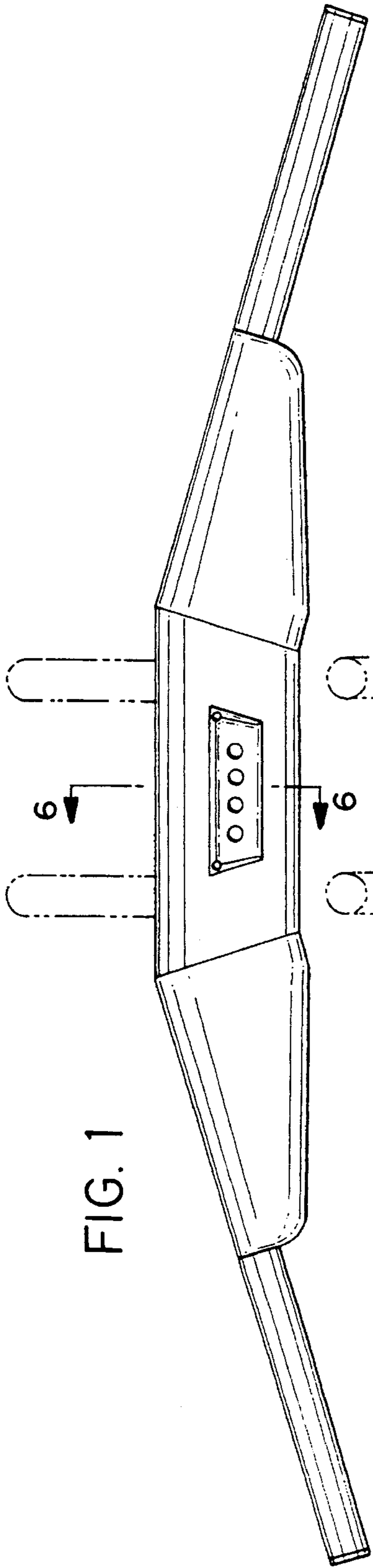


FIG. 1

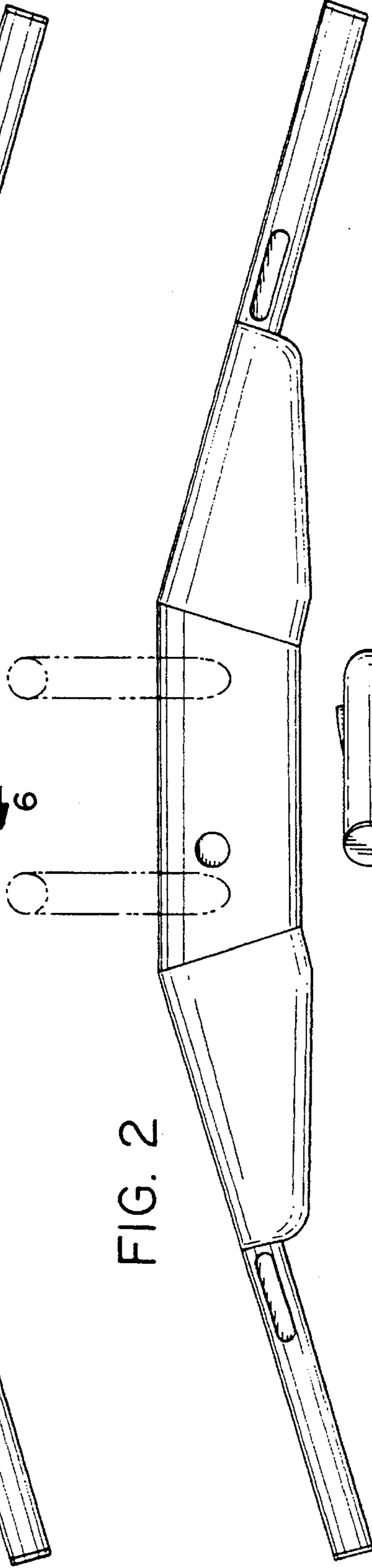


FIG. 2

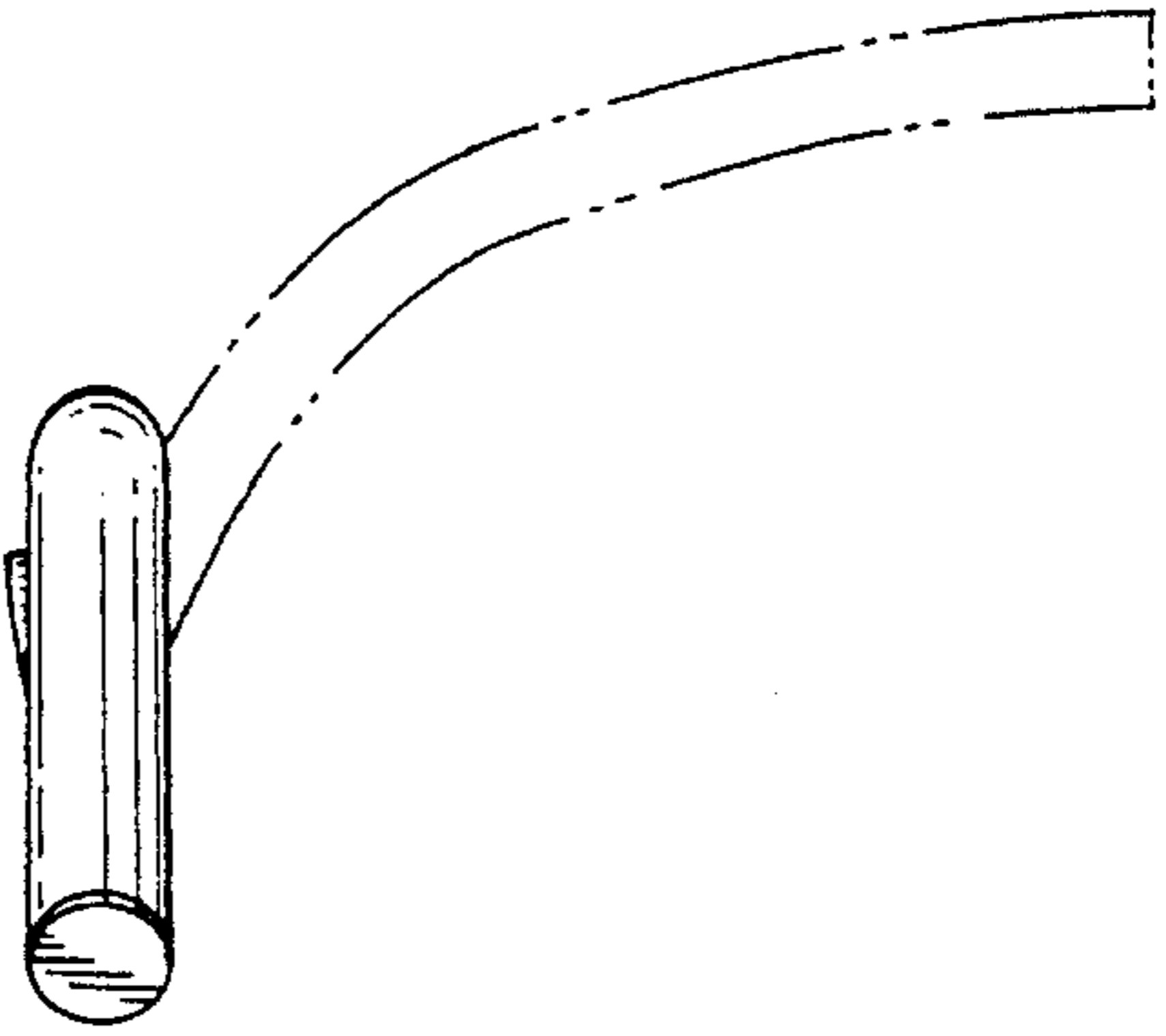


FIG. 3

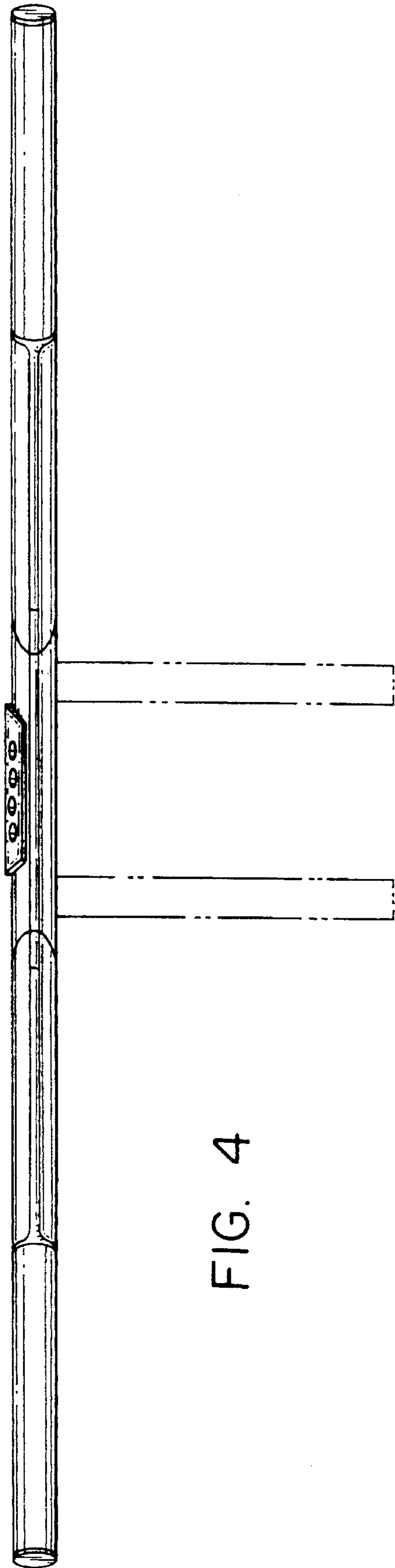


FIG. 4

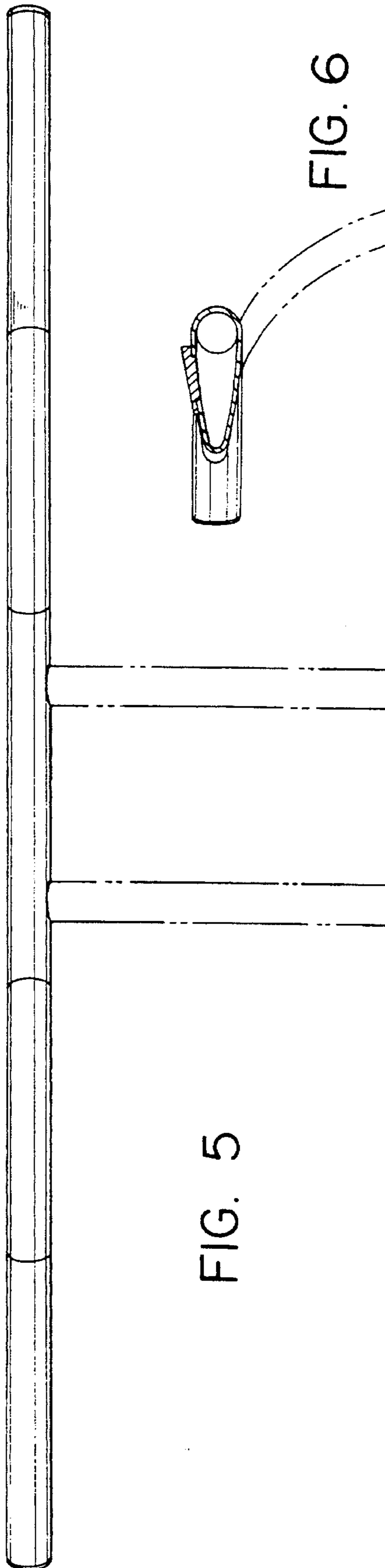


FIG. 5

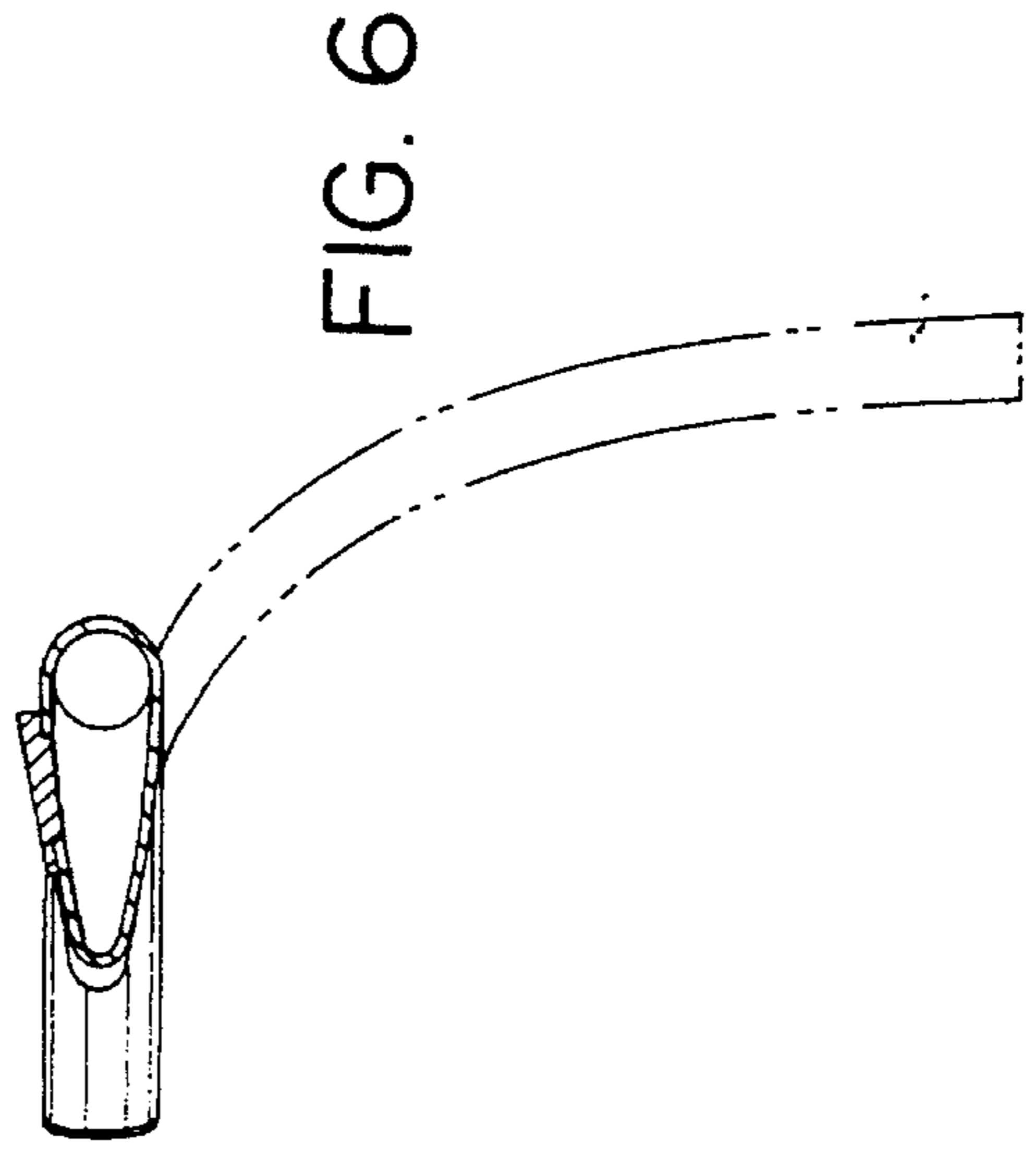


FIG. 6