



US00D372890S

# United States Patent [19]

[11] **Patent Number: Des. 372,890**

Ferm et al.

[45] **Date of Patent: \*\*Aug. 20, 1996**

[54] **ROLLING WALKER**

|           |         |                  |         |
|-----------|---------|------------------|---------|
| 4,280,578 | 7/1981  | Perkins .....    | 180/6.5 |
| 4,341,381 | 7/1982  | Norberg .....    | 135/67  |
| 5,020,560 | 6/1991  | Turbeville ..... | 135/67  |
| 5,158,313 | 10/1992 | Becker .....     | 135/67  |

[75] Inventors: **Morgan Ferm, Lund; Per Elvinsson, Gnosjoe, both of Sweden**

[73] Assignee: **Etac AB, Anderstorp, Sweden**

*Primary Examiner*—Kay H. Chin  
*Attorney, Agent, or Firm*—Beveridge, DeGrandi, Weilacher & Young, L.L.P.

[\*\*] Term: **14 Years**

[21] Appl. No.: **38,109**

[57] **CLAIM**

[22] Filed: **Apr. 28, 1995**

The ornamental design for a rolling walker, as shown and described.

[30] **Foreign Application Priority Data**

**DESCRIPTION**

Dec. 1, 1994 [SE] Sweden ..... 94-2439

[52] **U.S. Cl.** ..... **D12/130**

[58] **Field of Search** ..... D12/128-133;  
297/5, 6; 180/615, 251, 907; 135/74, 65,  
67, 72, 73

FIG. 1 is a top view of a walker design showing our new design;

FIG. 2 is a bottom view thereof;

FIG. 3 is a front elevation view thereof;

FIG. 4 is a rear elevation view thereof;

FIG. 5 is a right side elevation view thereof; and,

FIG. 6 is a left side elevation view thereof.

[56] **References Cited**

**U.S. PATENT DOCUMENTS**

D. 360,174 7/1995 Kjell et al. .... D12/128

**1 Claim, 6 Drawing Sheets**

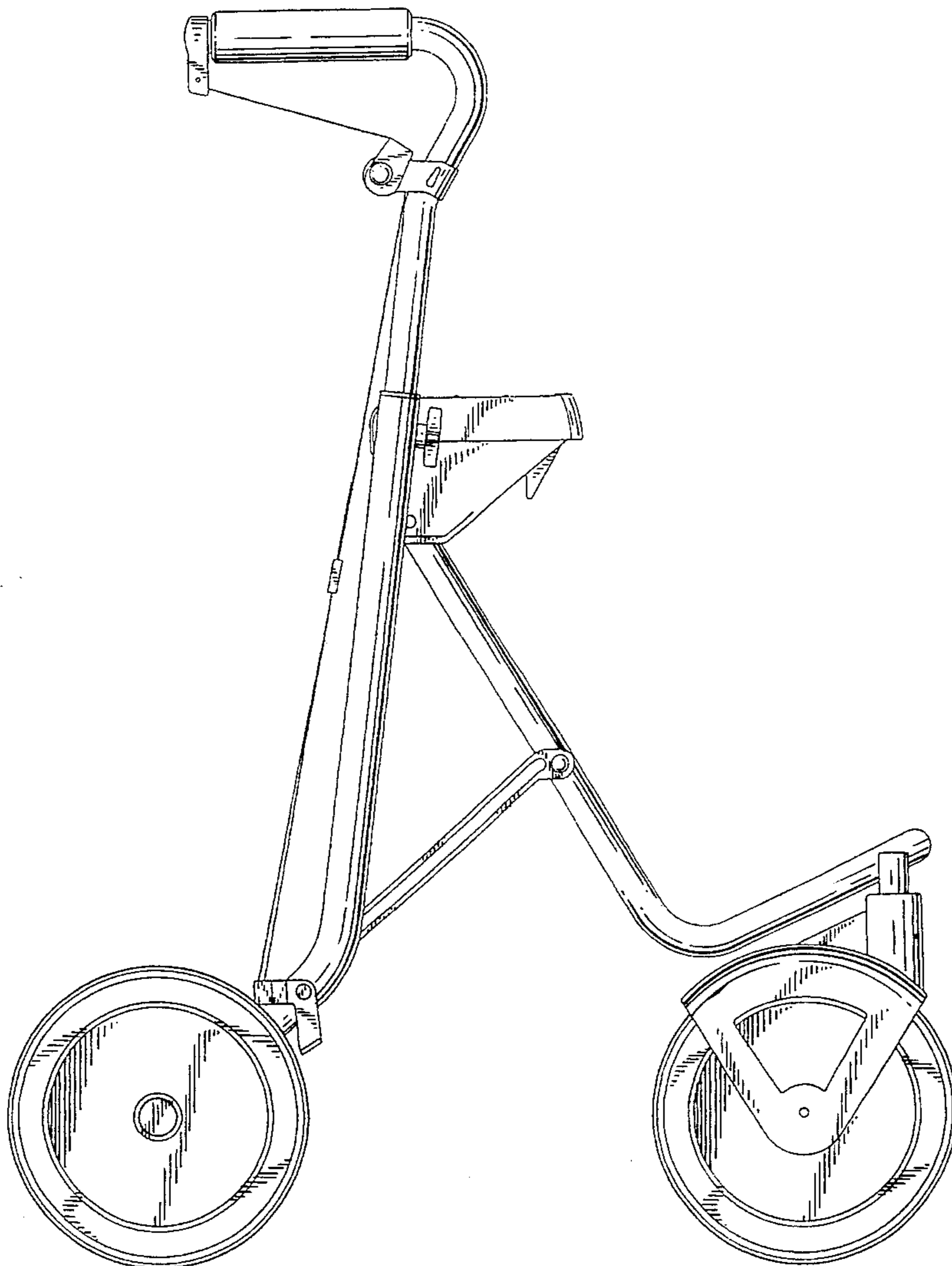


FIG. 1

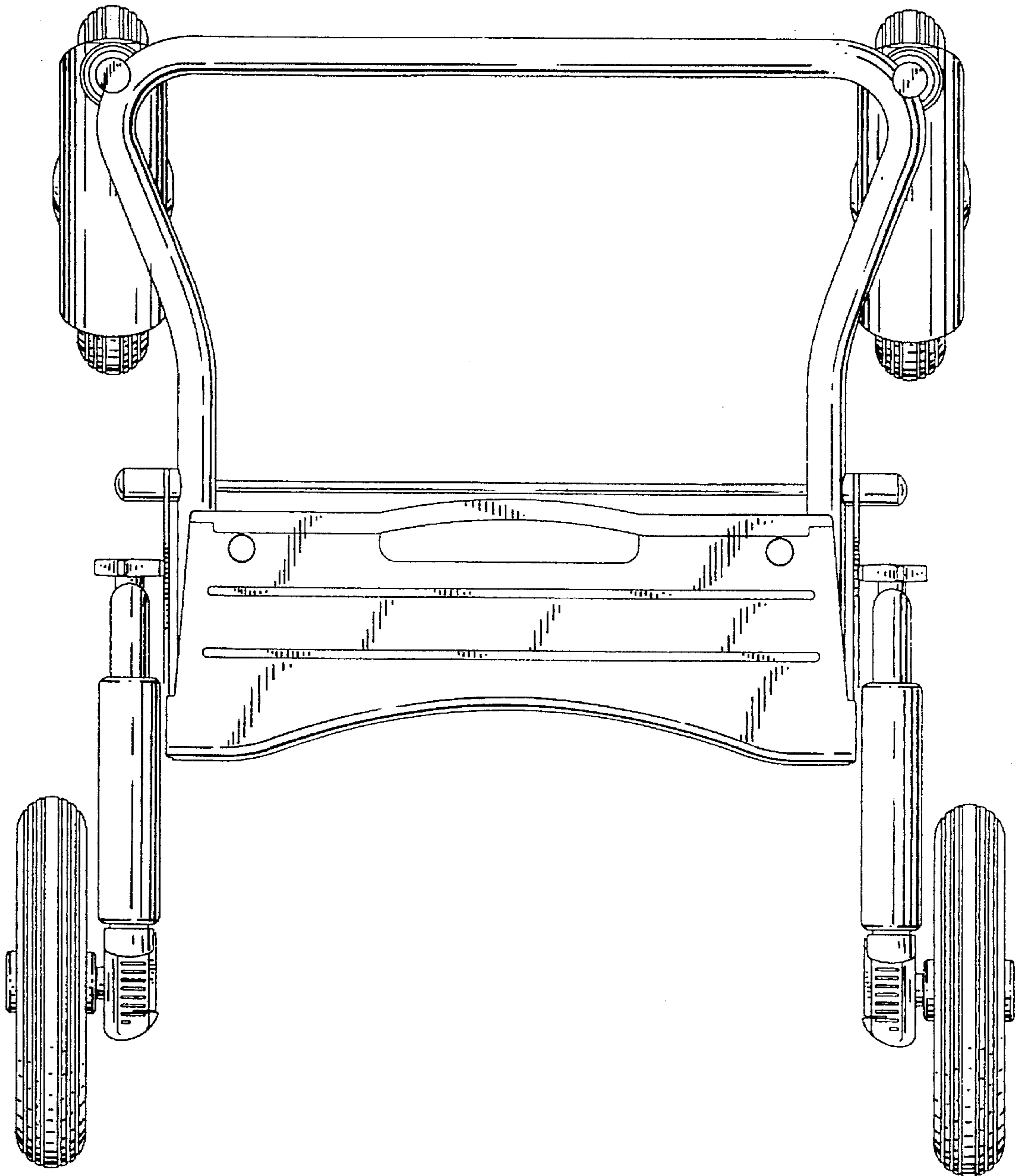


FIG. 2

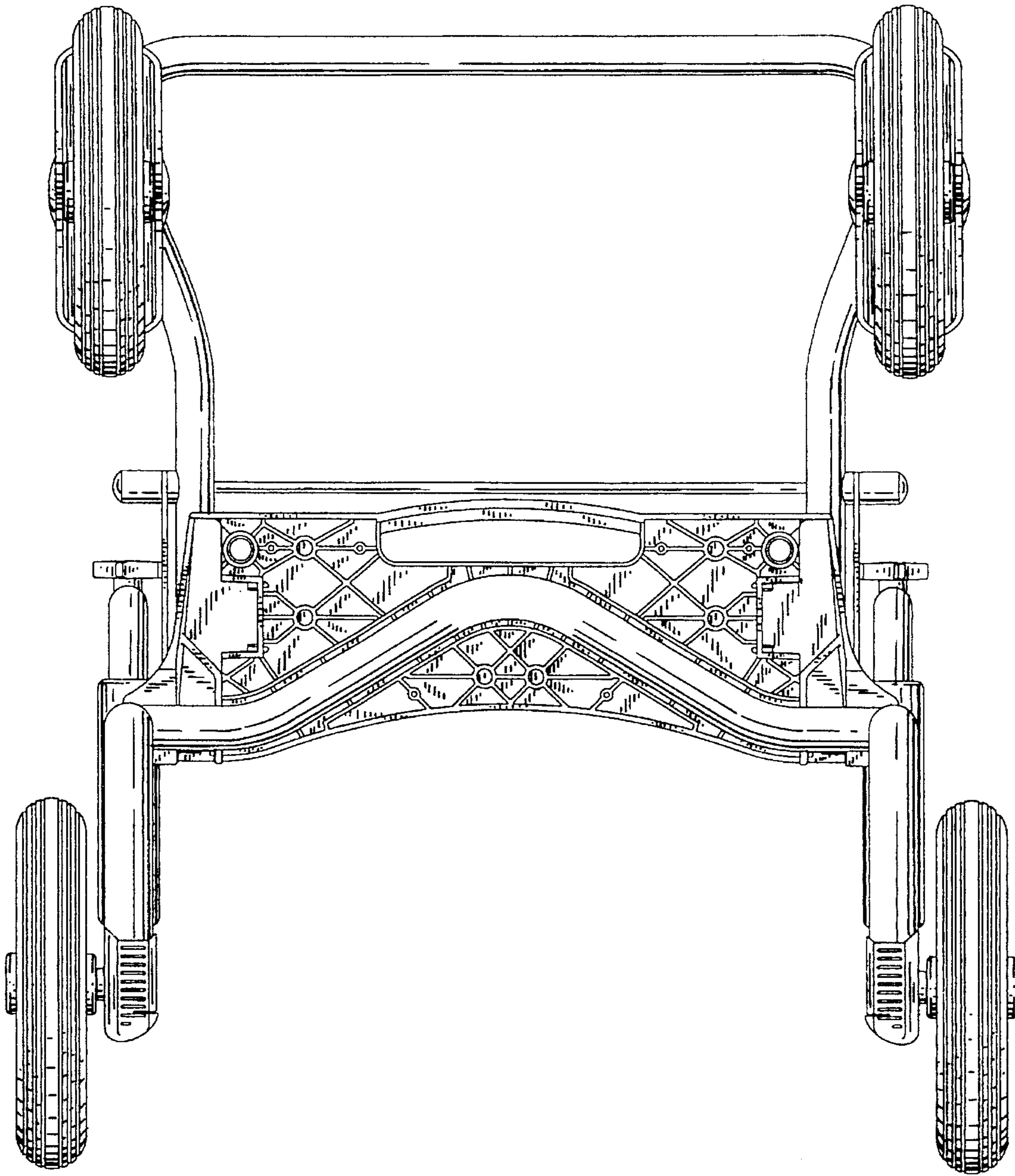


FIG. 3

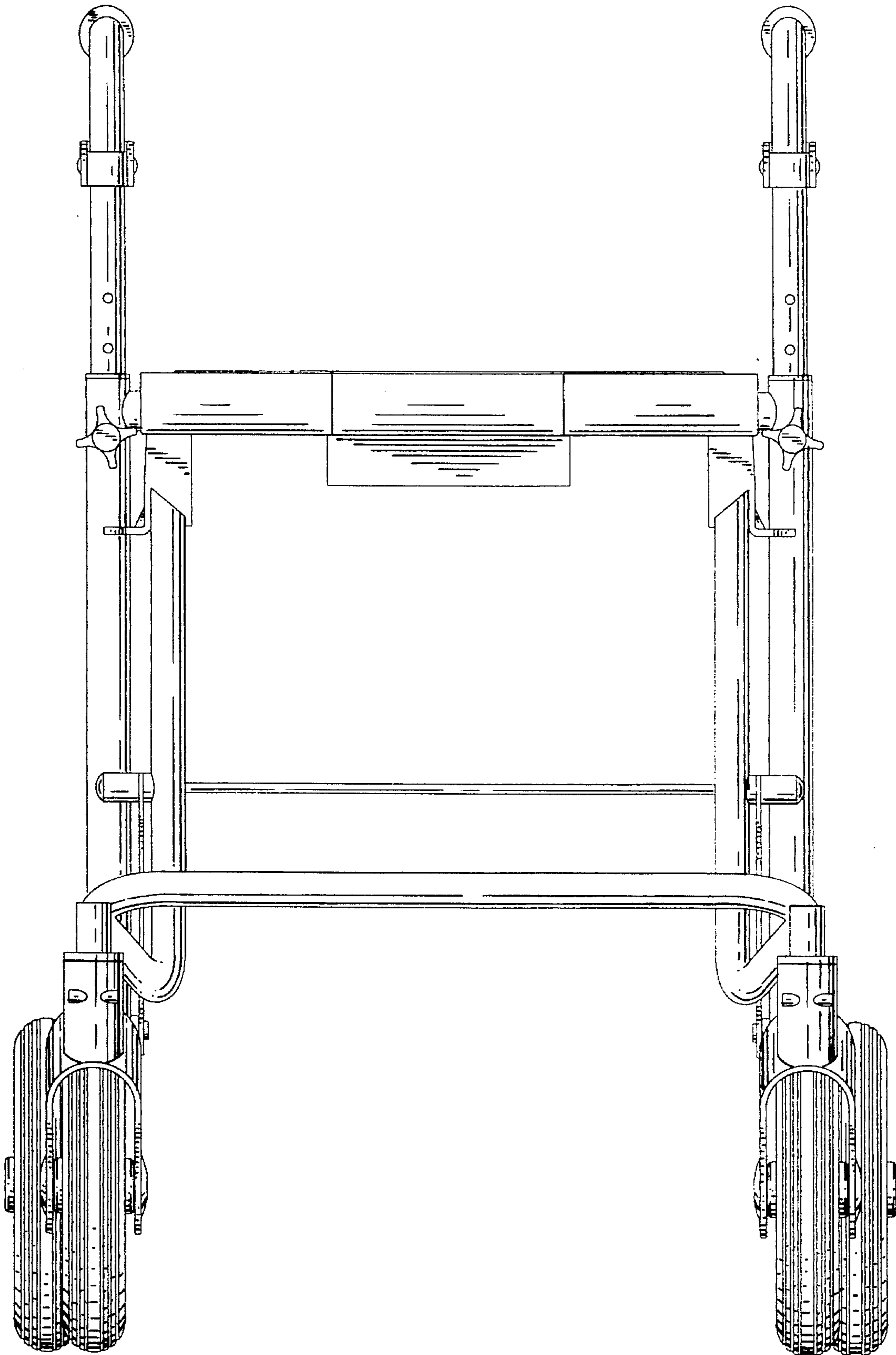
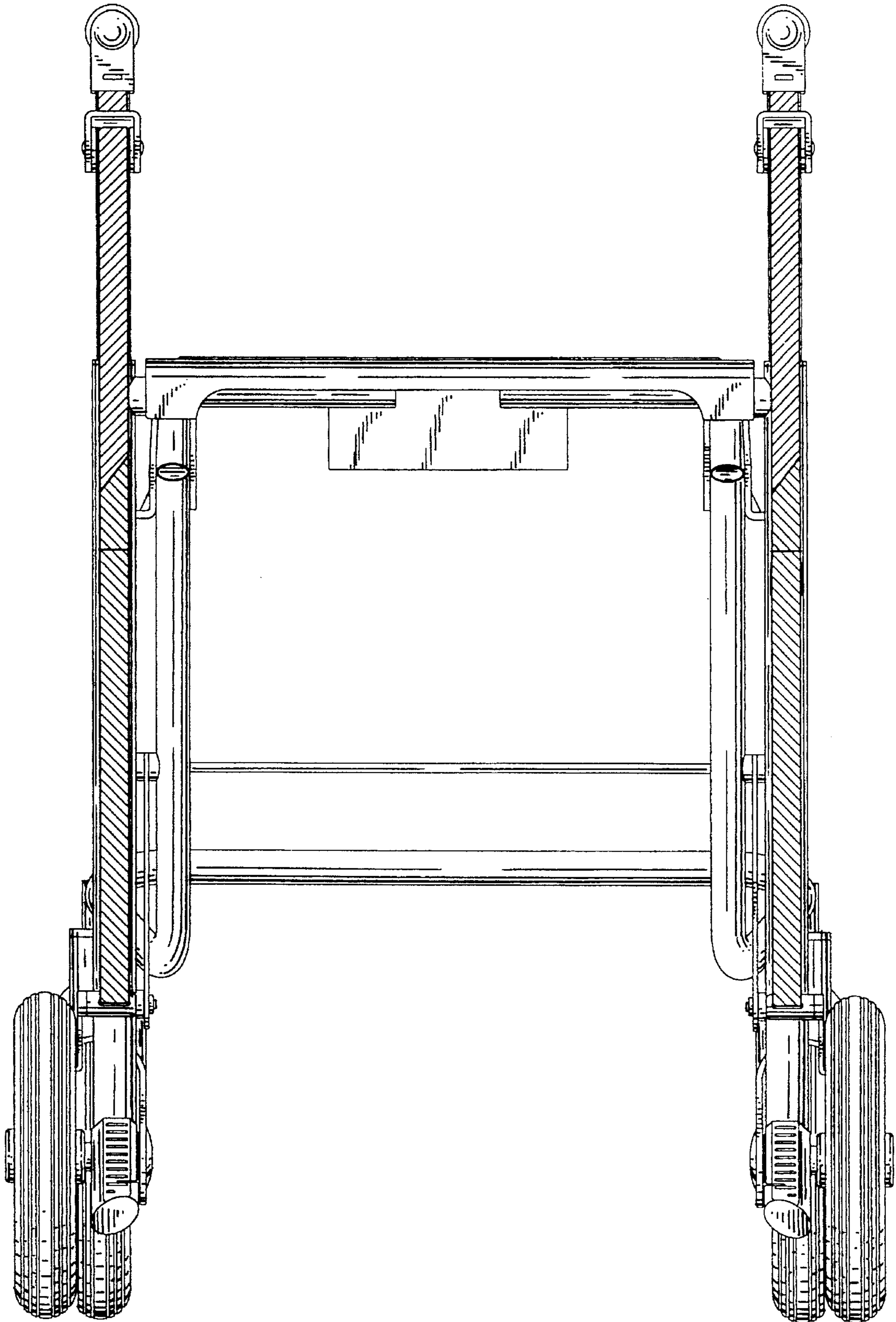




FIG. 4



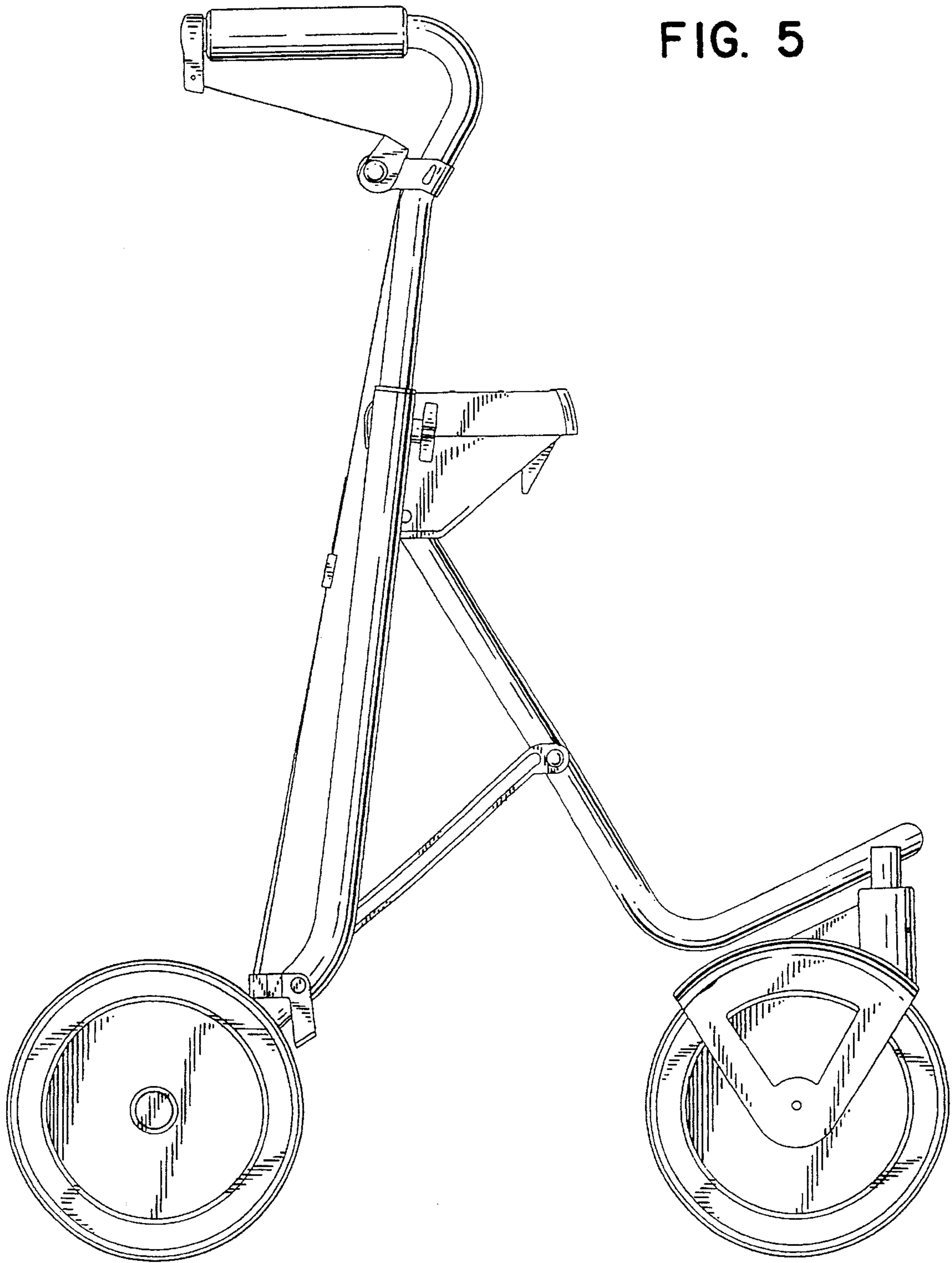


FIG. 5

FIG. 6

