



US00D372885S

# United States Patent [19]

Ludwig

[11] Patent Number: Des. 372,885

[45] Date of Patent: \*\*Aug. 20, 1996

[54] CHRISTMAS TREE STAND

[75] Inventor: Jon Ludwig, 722 N. Third St., Stillwater, Minn. 55082

[73] Assignee: Jon Ludwig, Stillwater, Minn.

[\*\*] Term: 14 Years

[21] Appl. No.: 42,254

[22] Filed: Aug. 4, 1995

[52] U.S. Cl. .... D11/130.1

[58] Field of Search ..... D11/130.1; 47/40.5; 248/519, 527

[56] **References Cited**

**U.S. PATENT DOCUMENTS**

D. 45,193	2/1914	Kálna	.....	D11/130.1
D. 165,928	2/1952	Parucki et al.	.....	D11/130.1
D. 166,892	5/1952	Vigna	.....	D11/130.1
D. 189,100	10/1960	Berning et al.	.....	D11/130.1

D. 343,593	1/1994	Lawrence et al.	.....	D11/130.1
1,642,231	9/1927	Dona	.....	D11/130.1 X
1,784,090	12/1930	Doll	.....	D11/130.1 X

Primary Examiner—Dominic Simone  
Attorney, Agent, or Firm—Kinney & Lange, P.A.

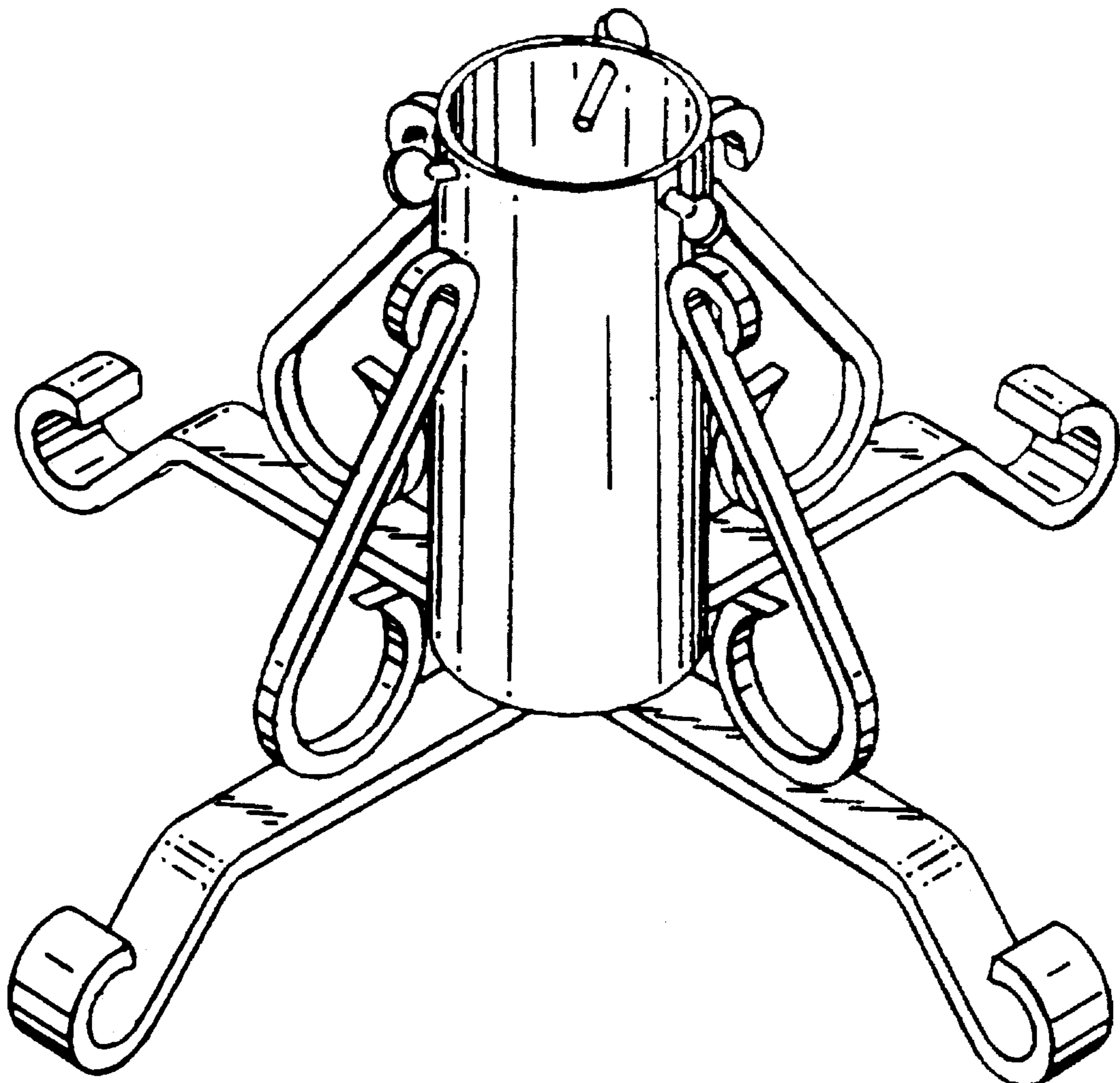
[57] **CLAIM**

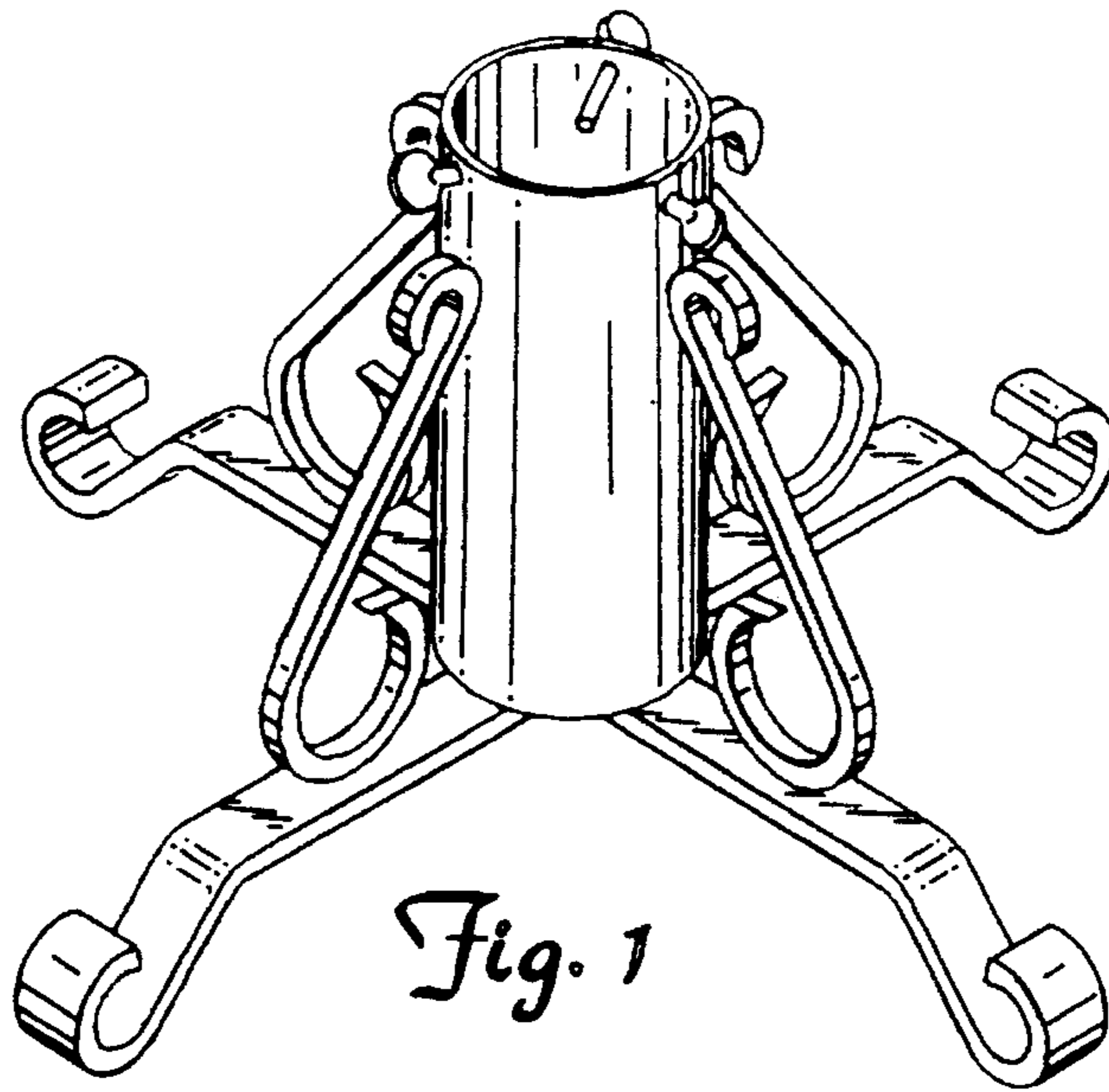
The ornamental design for a Christmas tree stand, as shown and described.

**DESCRIPTION**

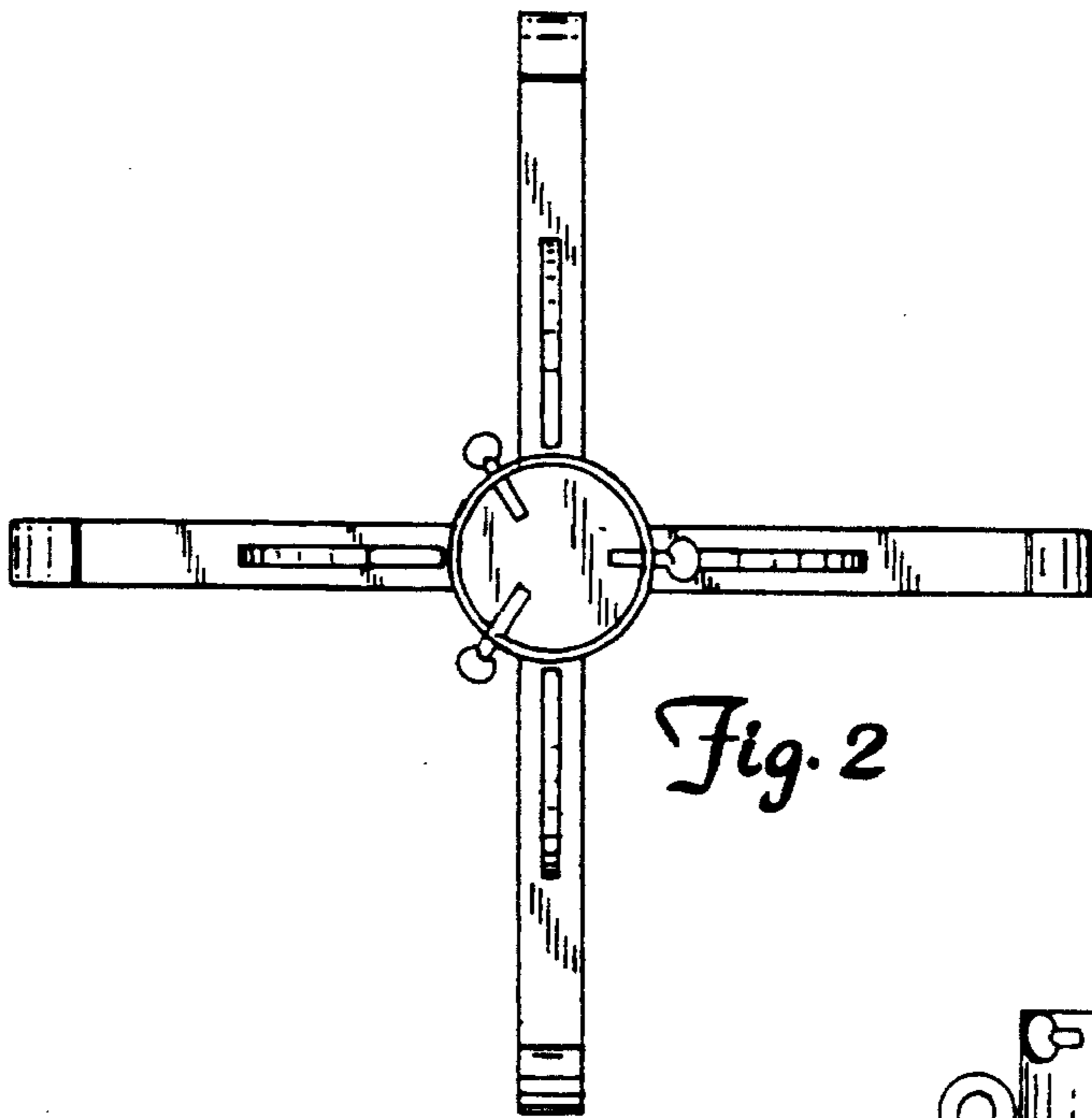
FIG. 1 is a front perspective view of a Christmas tree stand showing my new design; FIG. 2 is a top view thereof; FIG. 3 is a front elevational view thereof; FIG. 4 is a right side elevational view thereof; FIG. 5 is a back elevational view thereof; FIG. 6 is a left side elevational view thereof; and, FIG. 7 is a bottom view thereof.

1 Claim, 2 Drawing Sheets

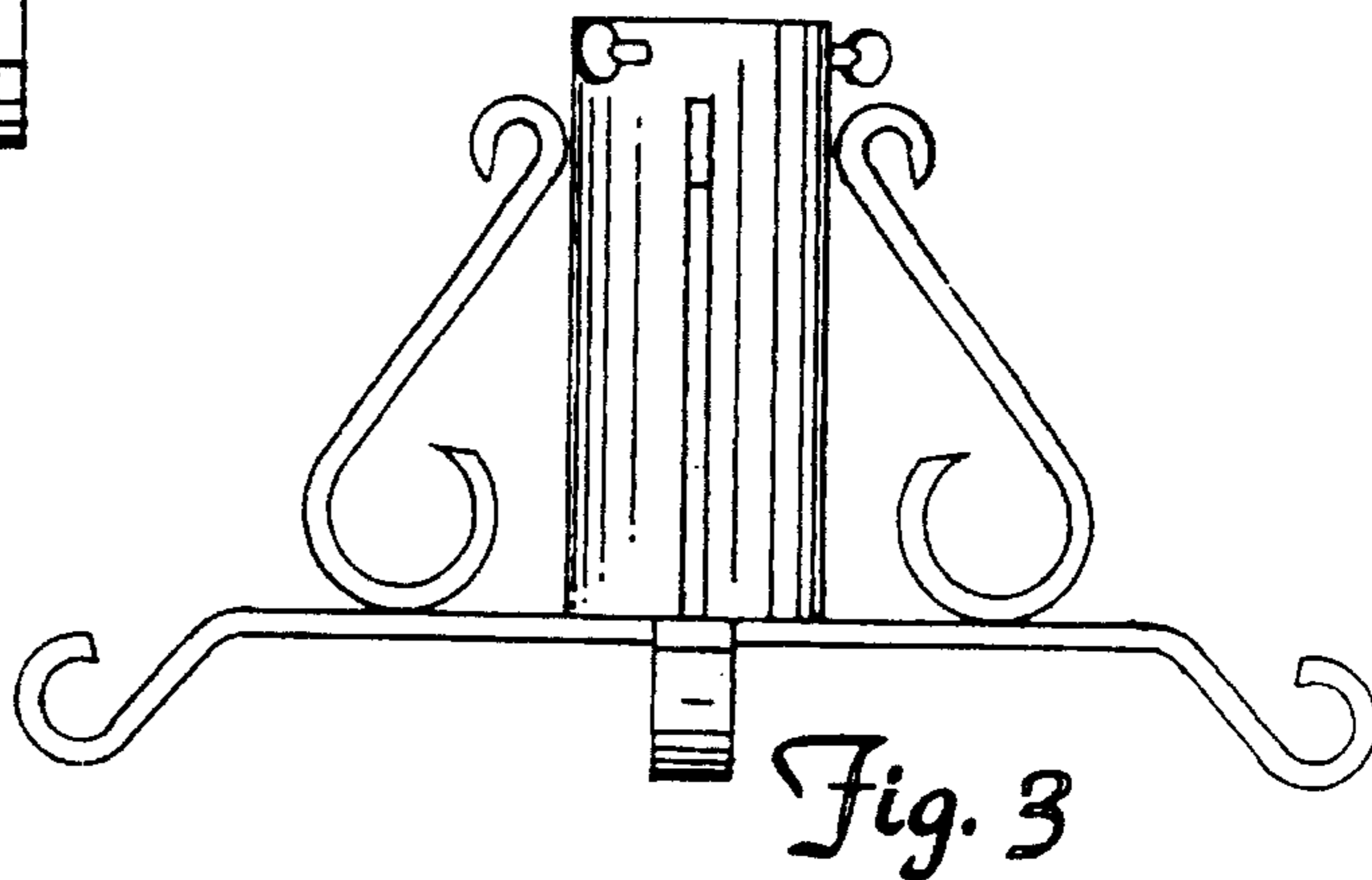




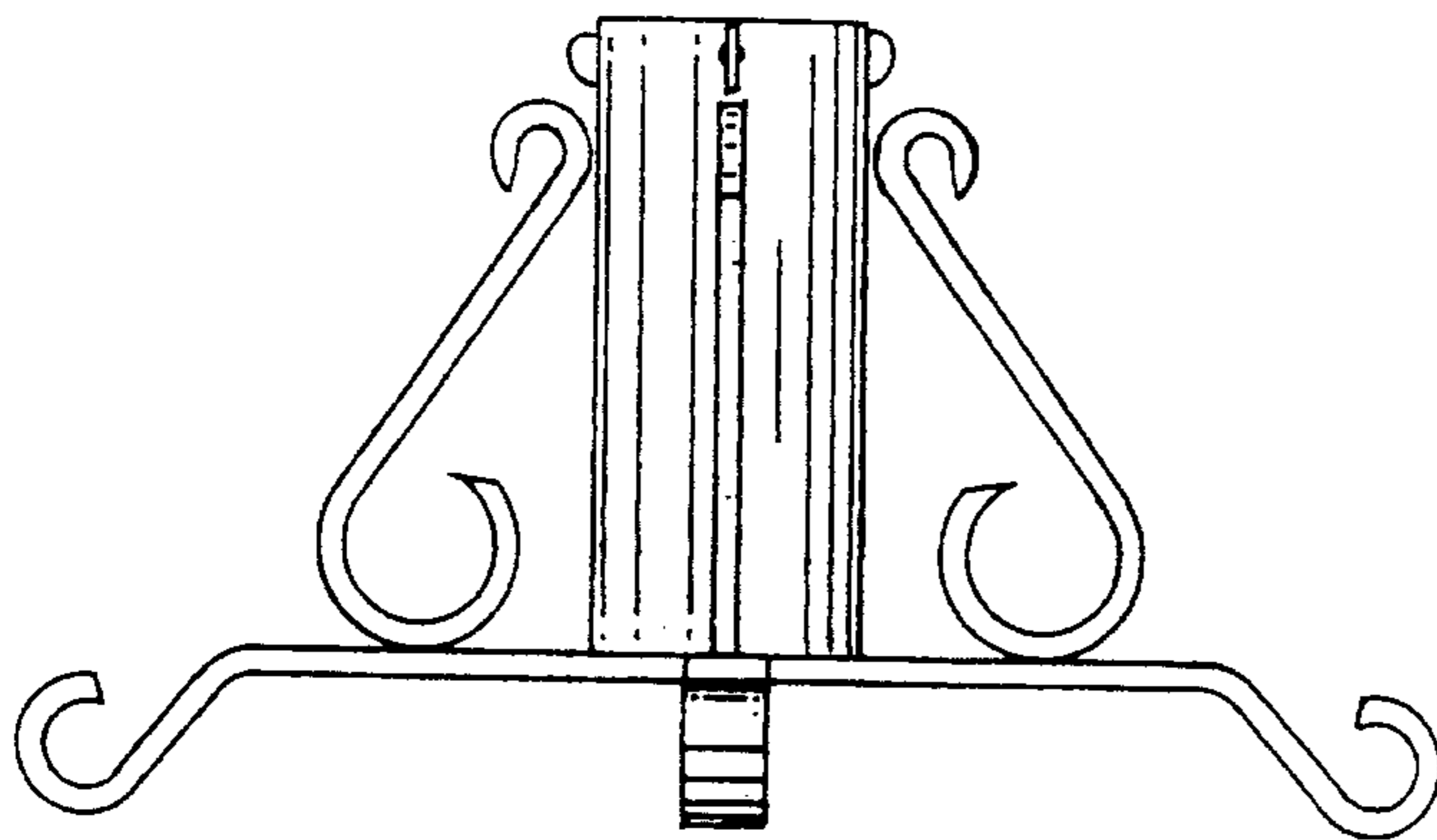
*Fig. 1*



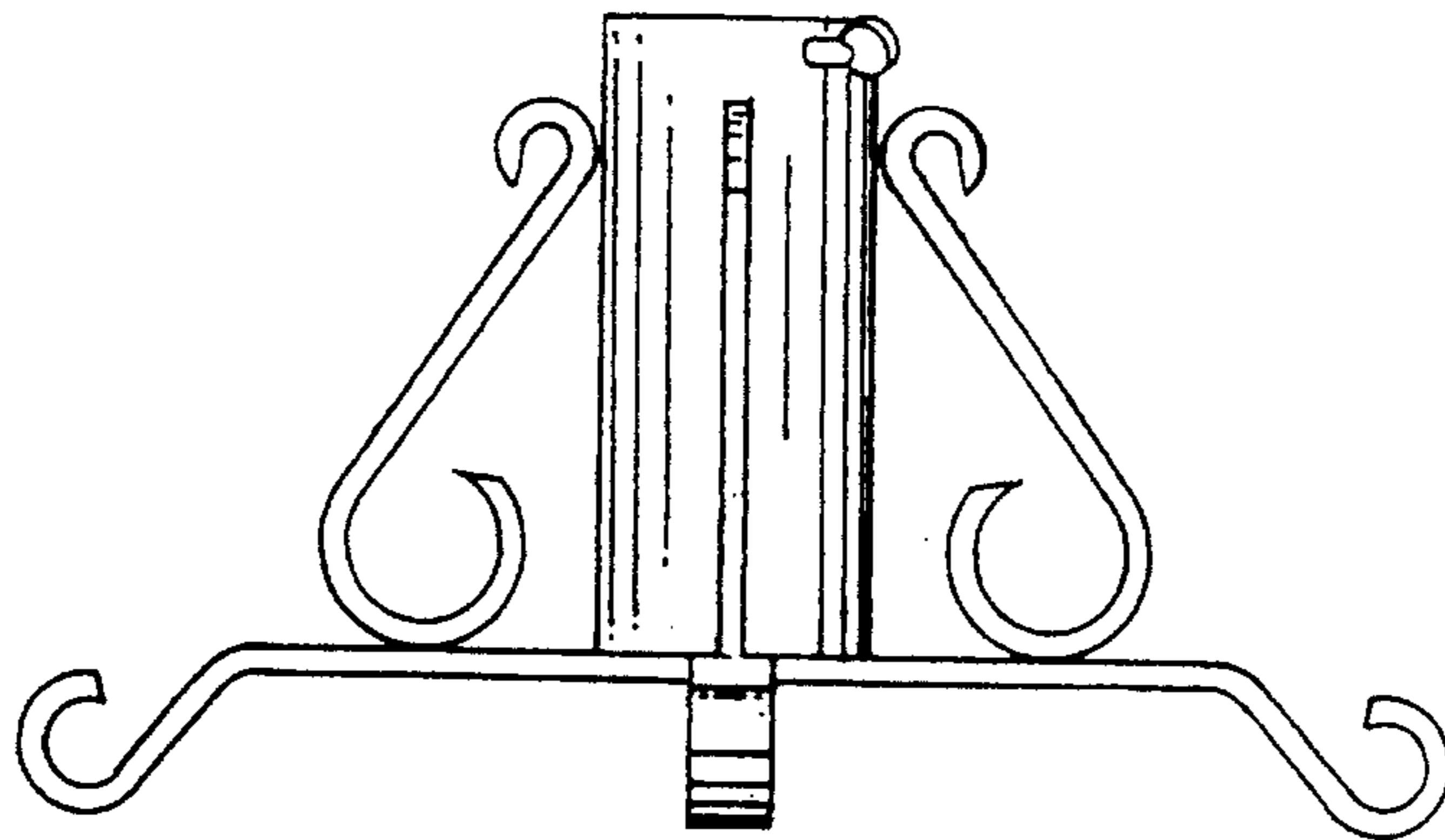
*Fig. 2*



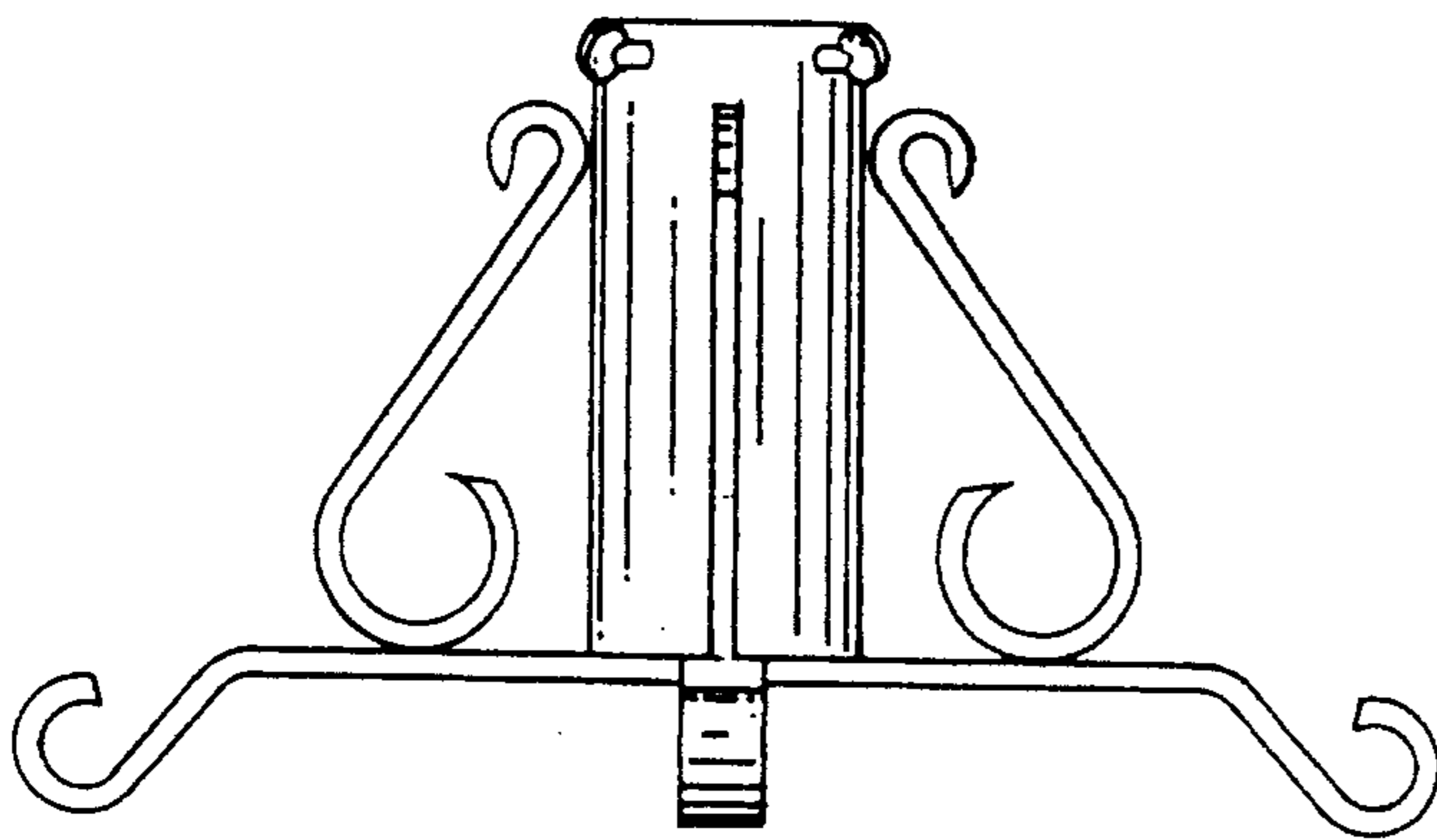
*Fig. 3*



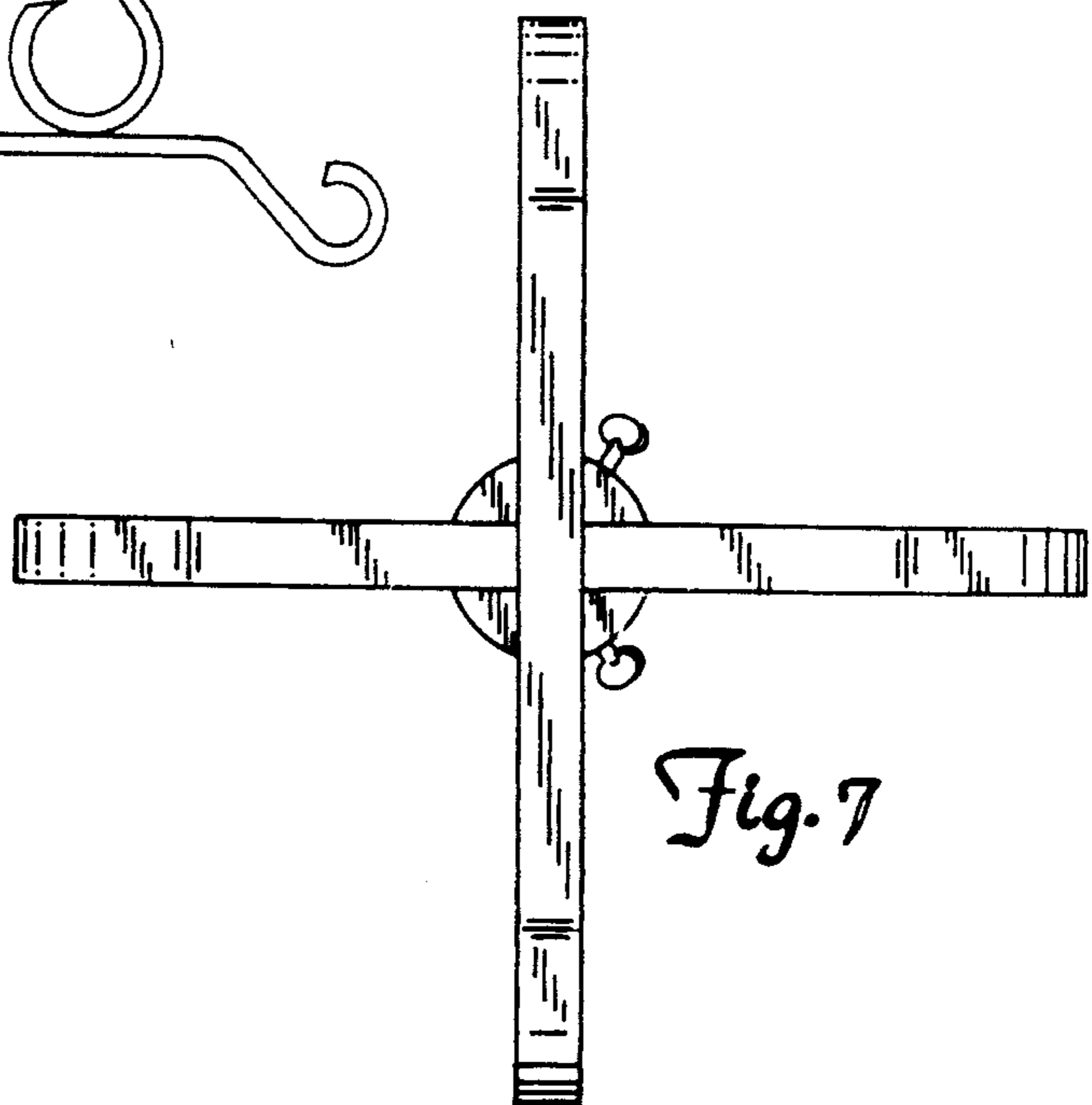
*Fig. 4*



*Fig. 5*



*Fig. 6*



*Fig. 7*