



US00D372876S

United States Patent [19]
Hollinger

[11] **Patent Number: Des. 372,876**

[45] **Date of Patent: **Aug. 20, 1996**

[54] **FOUR-WAY RULER**

[75] **Inventor: Fred Hollinger**, Kings Park, N.Y.

[73] **Assignee: E & B Giftware, Inc.**, Mt. Vernon, N.Y.

[**] **Term: 14 Years**

[21] **Appl. No.: 43,594**

[22] **Filed: Sep. 7, 1995**

[52] **U.S. Cl. D10/72**

[58] **Field of Search D10/71, 72; 33/755-769**

[56] **References Cited**

U.S. PATENT DOCUMENTS

D. 245,071	7/1977	Kong	D10/62
D. 312,419	11/1990	Kang	D10/72
D. 312,976	12/1990	Hölterscheidt	D10/72
5,430,952	7/1995	Betts	33/760

Primary Examiner—Antoine Duval Davis
Attorney, Agent, or Firm—Stanley J. Yavner

[57] **CLAIM**

The ornamental design for a four-way ruler, as shown and described.

DESCRIPTION

FIG. 1 is a left side, front and top elevational view of the four-way ruler embodying my new design shown in a condition of use;

FIG. 2 is a top plan view thereof;

FIG. 3 is a front elevational view thereof;

FIG. 4 is a right side elevational view thereof;

FIG. 5 is a left side elevational view thereof;

FIG. 6 is a rear elevational view thereof; and,

FIG. 7 is a bottom plan view thereof.

1 Claim, 3 Drawing Sheets

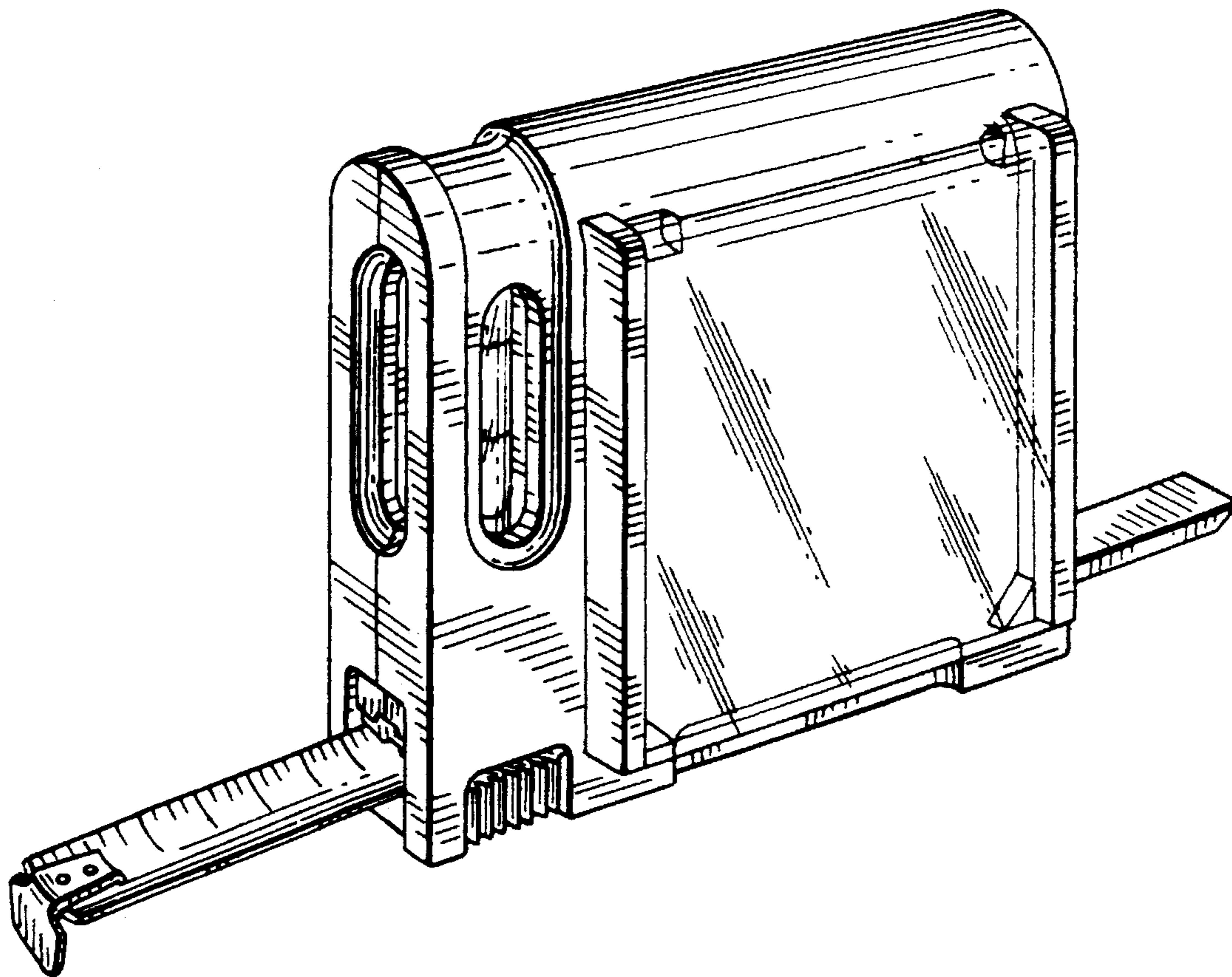


FIG. 1

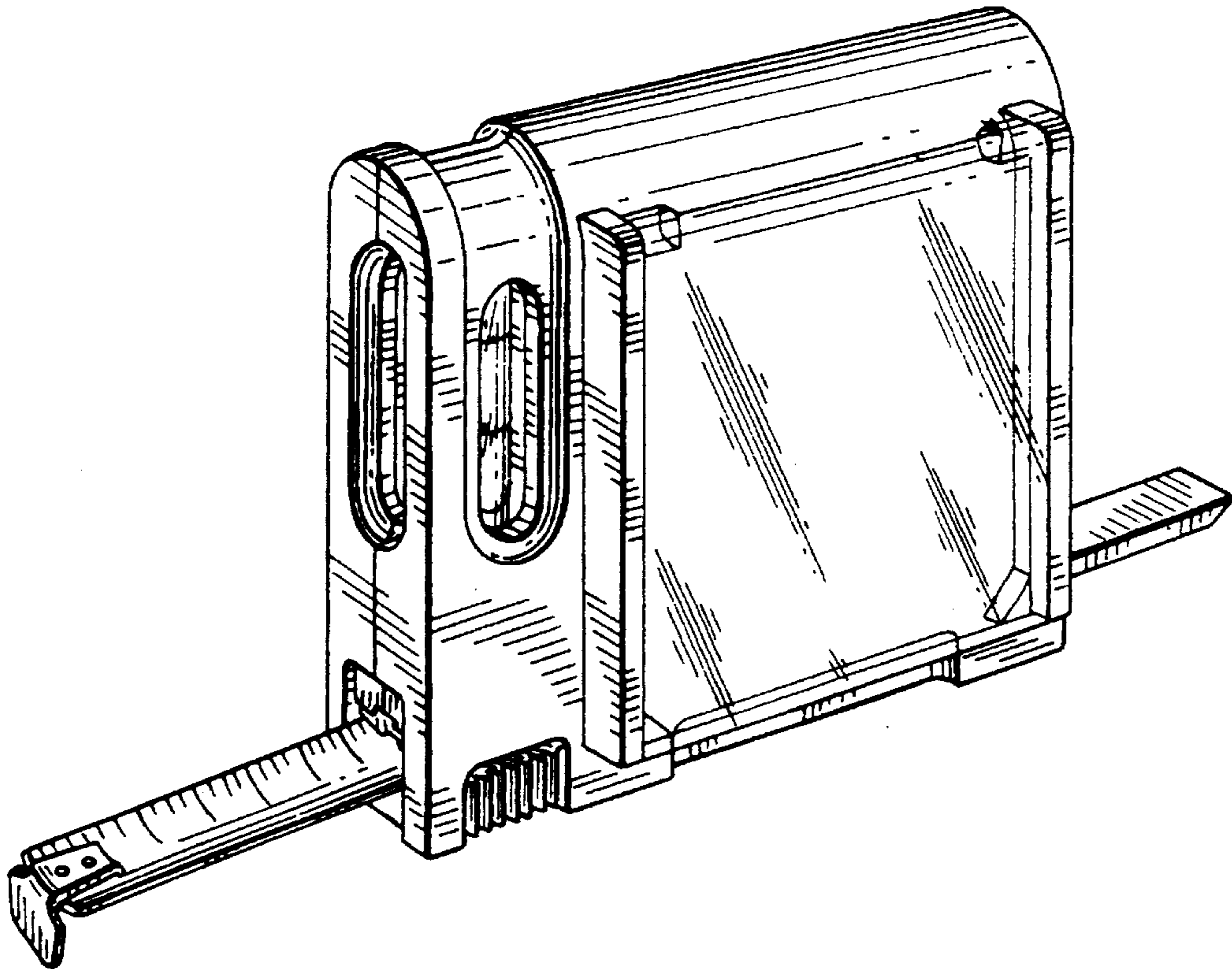


FIG. 2

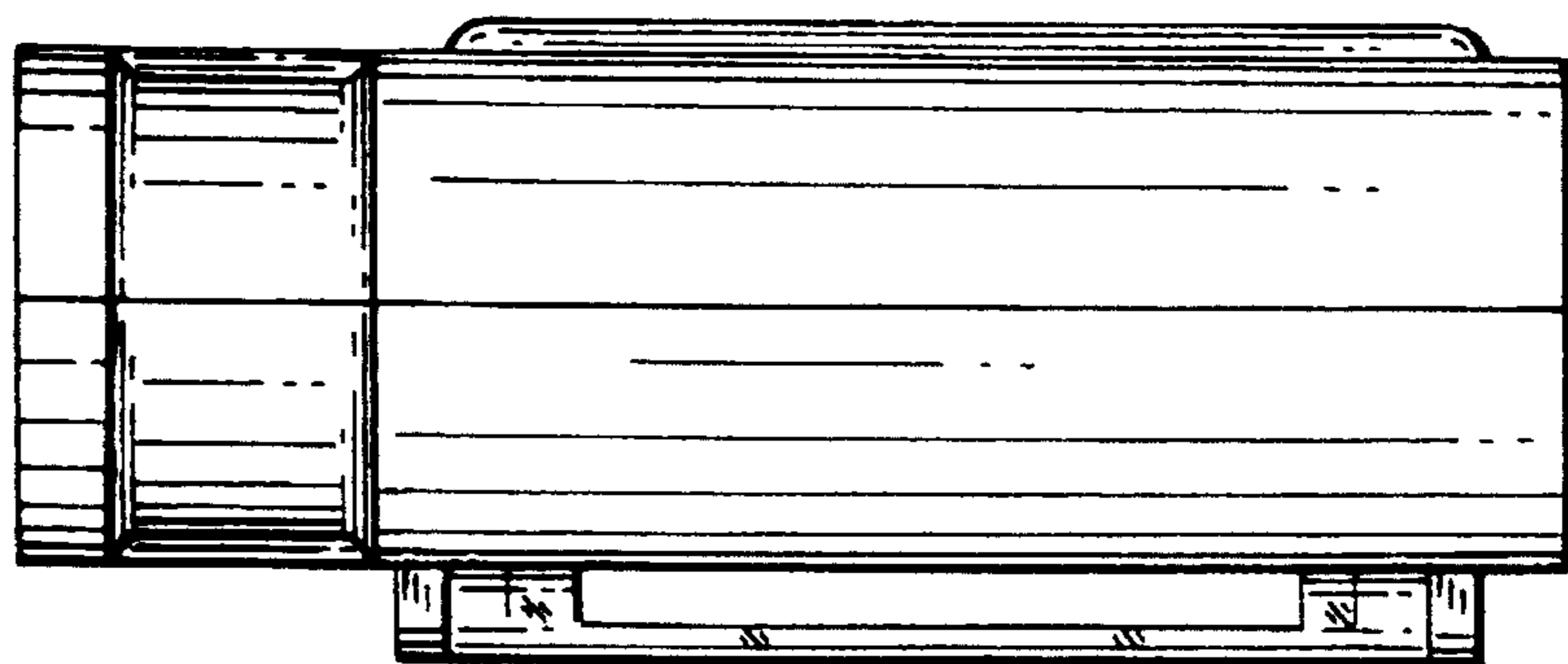


FIG. 4

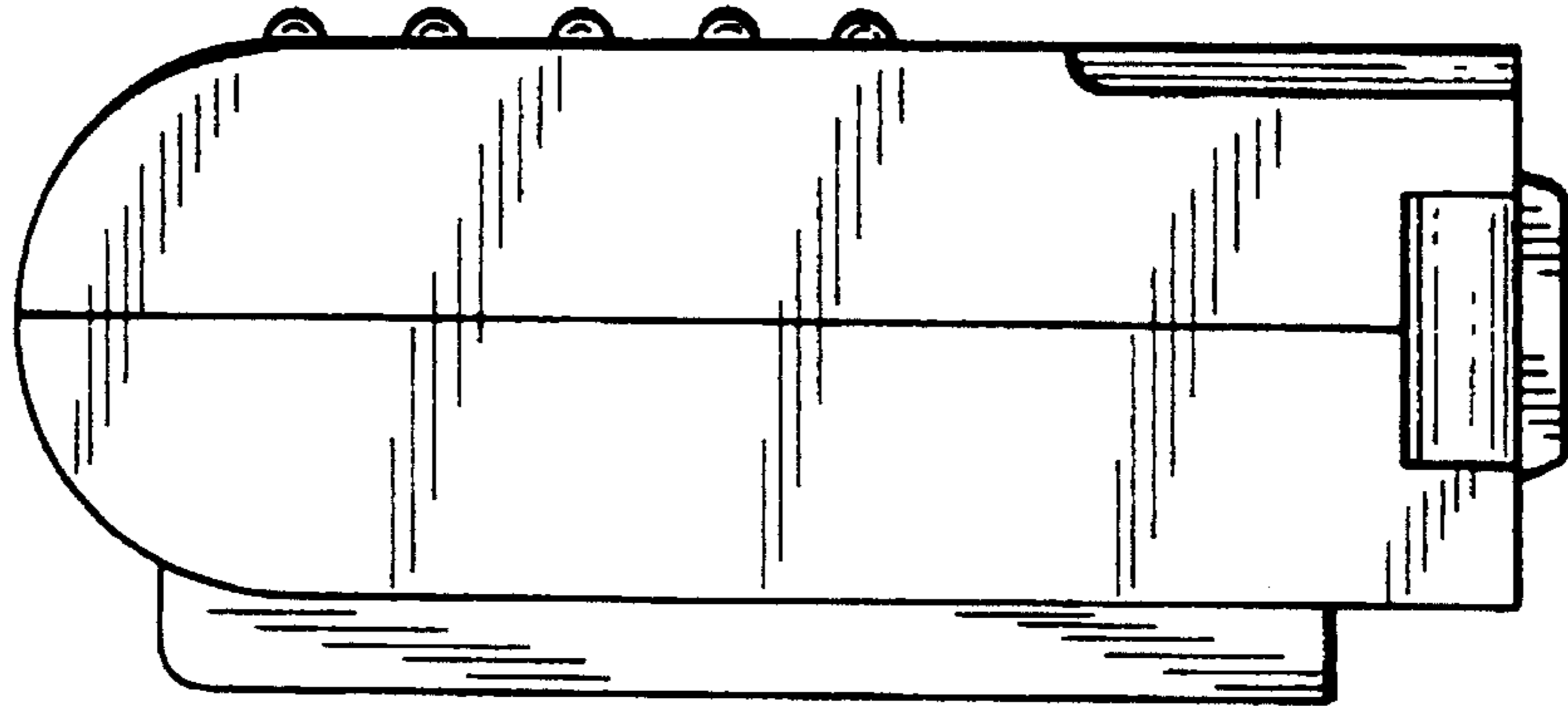


FIG. 3

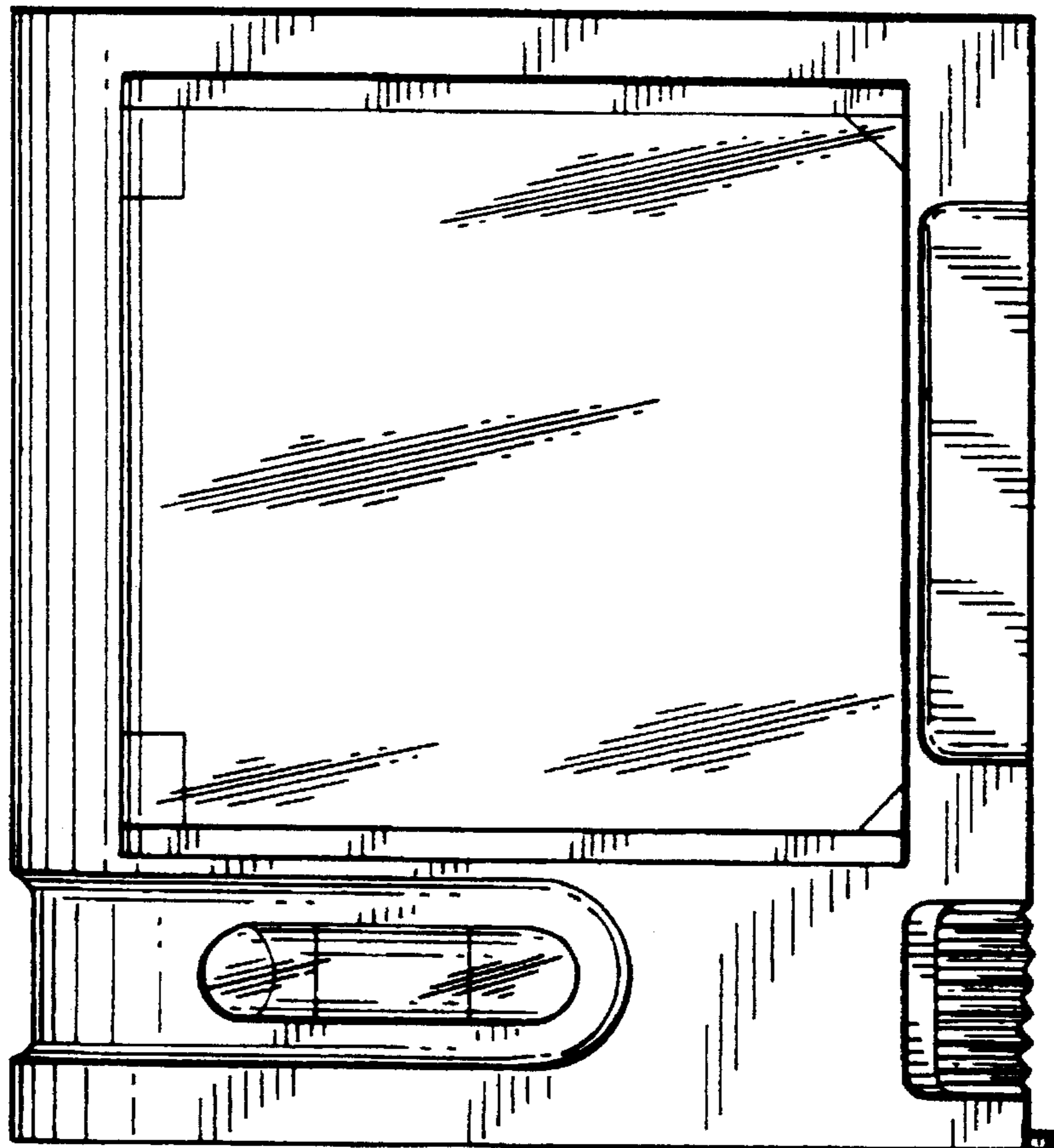


FIG. 5

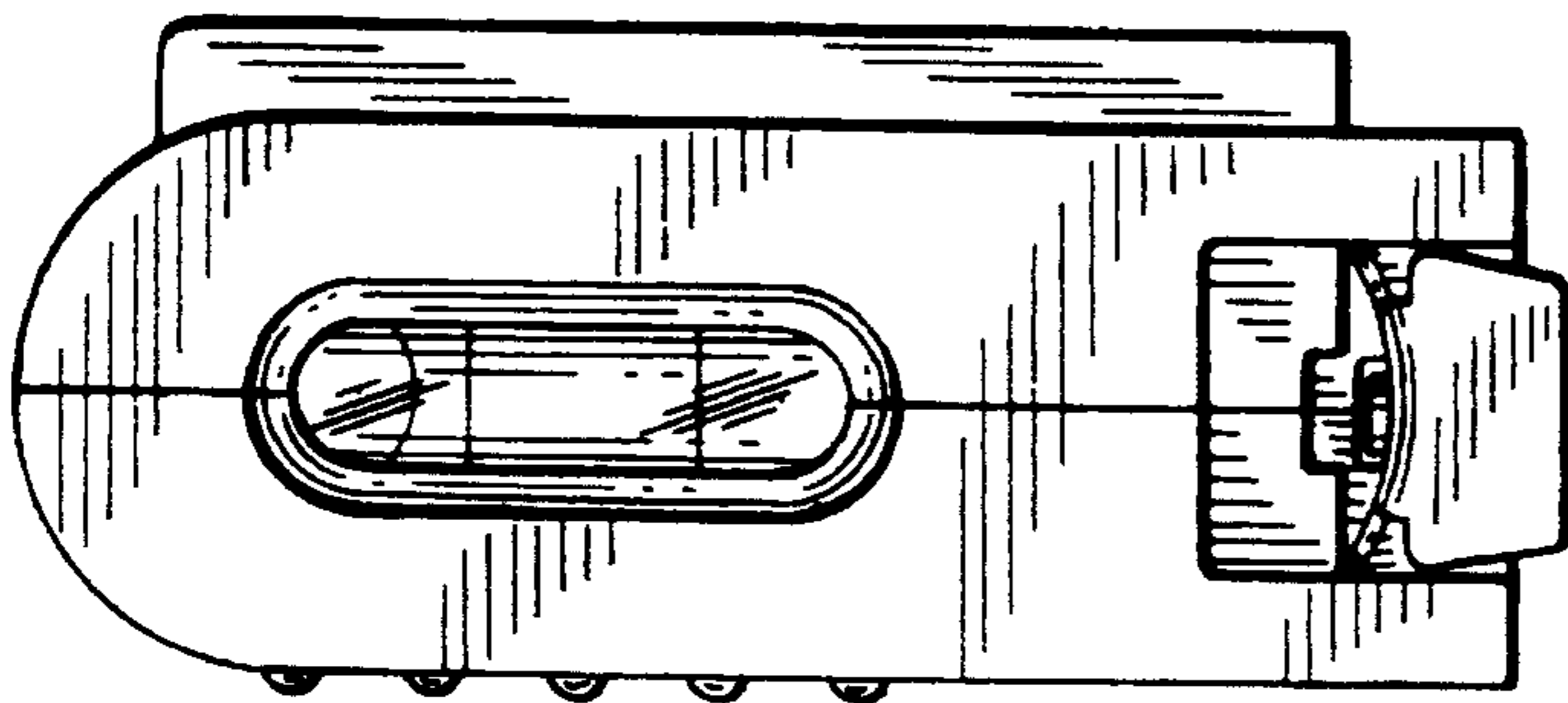


FIG. 6

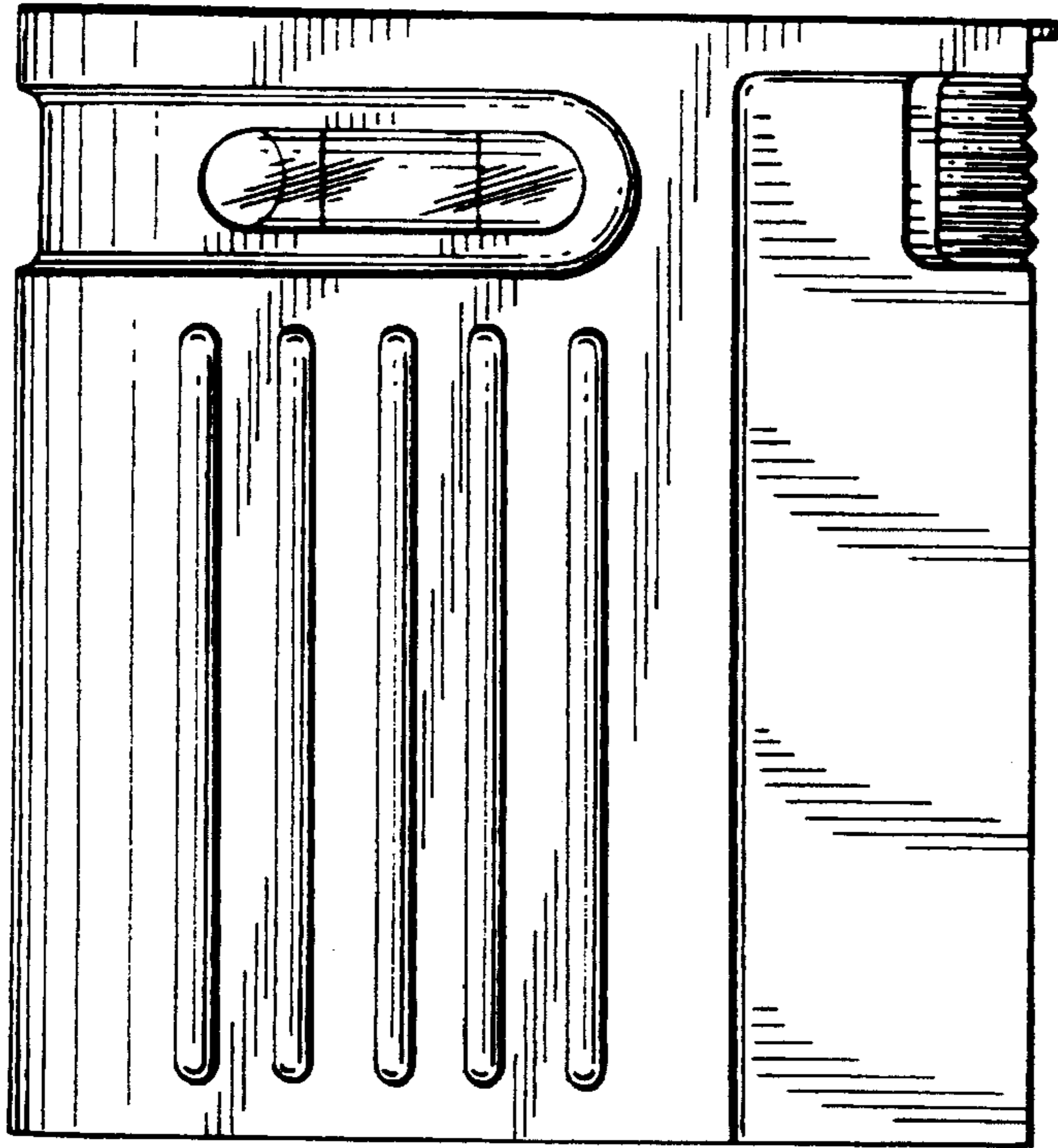


FIG. 7

