



US00D372874S

United States Patent [19] Wong

[11] Patent Number: **Des. 372,874**

[45] Date of Patent: ****Aug. 20, 1996**

[54] **CLOCK**

905,855 12/1908 Devineau D14/208 X

[75] Inventor: **Sai-Wing Wong**, Kowloon, Hong Kong

Primary Examiner—Nelson C. Holtje
Attorney, Agent, or Firm—Burns, Doane, Swecker & Mathis, L.L.P.

[73] Assignee: **Eastman Time Ltd.**, Hong Kong

[**] Term: **14 Years**

[57] **CLAIM**

The ornamental design for a clock, as shown and described.

[21] Appl. No.: **40,648**

DESCRIPTION

[22] Filed: **Jun. 23, 1995**

[52] U.S. Cl. **D10/6**; D10/33

FIG. 1 is the front elevational view of a clock showing my new design;

[58] Field of Search D10/6-9; D14/208,
D14/199, 202-203; 368/285, 276-277

FIG. 2 is the rear elevational view thereof;

FIG. 3 is the left side view thereof;

FIG. 4 is the right side view thereof;

FIG. 5 is the top plan view thereof;

FIG. 6 is the bottom view thereof; and,

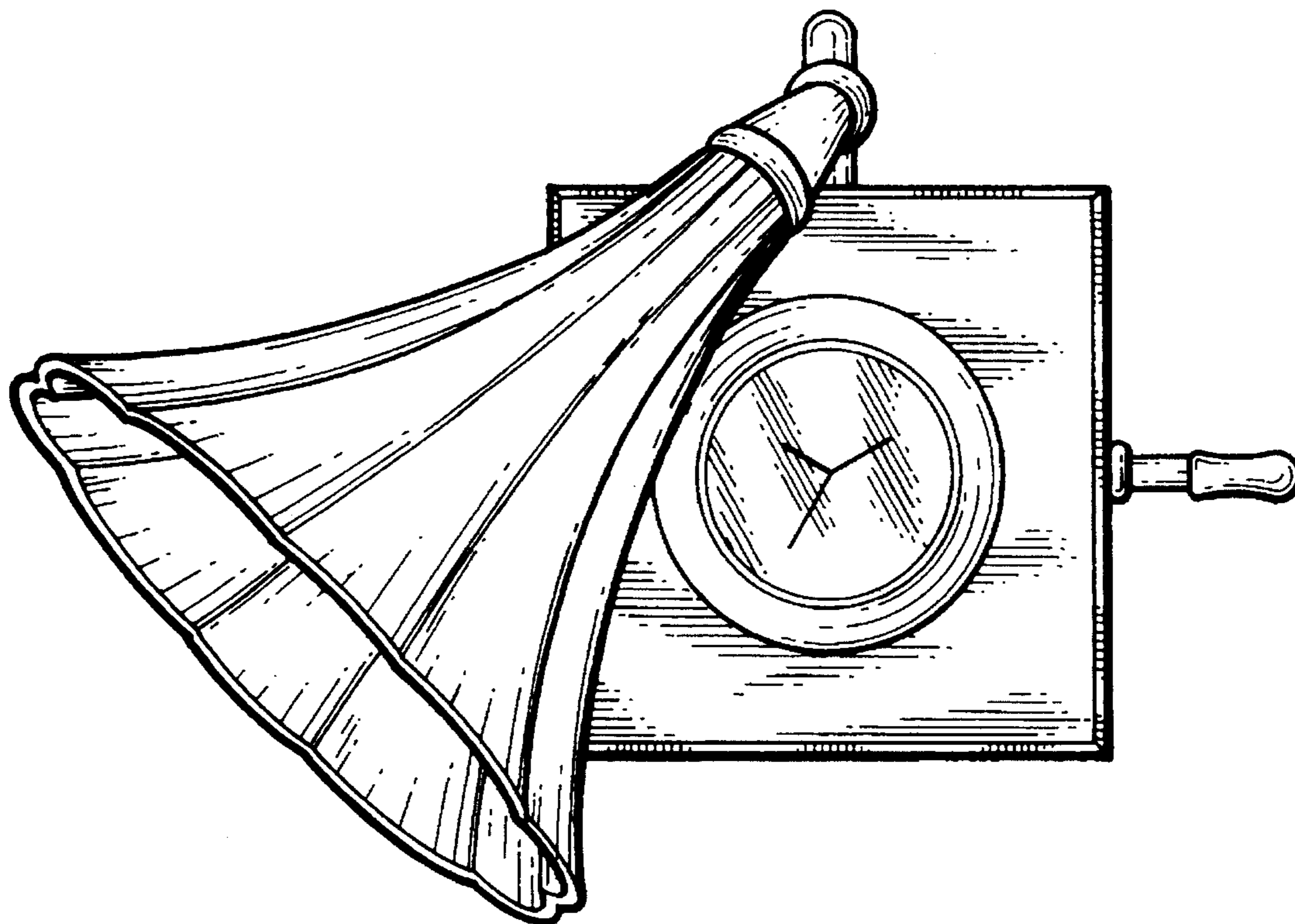
FIG. 7 is the plan view thereof with the horn-shaped decoration in an alternate position.

[56] **References Cited**

U.S. PATENT DOCUMENTS

D. 37,661	11/1905	Murphy	D14/208
D. 38,106	6/1906	Sheble	D14/208
D. 54,989	4/1920	Poe	D14/203
896,672	8/1908	Terhune	D14/208 X

1 Claim, 4 Drawing Sheets



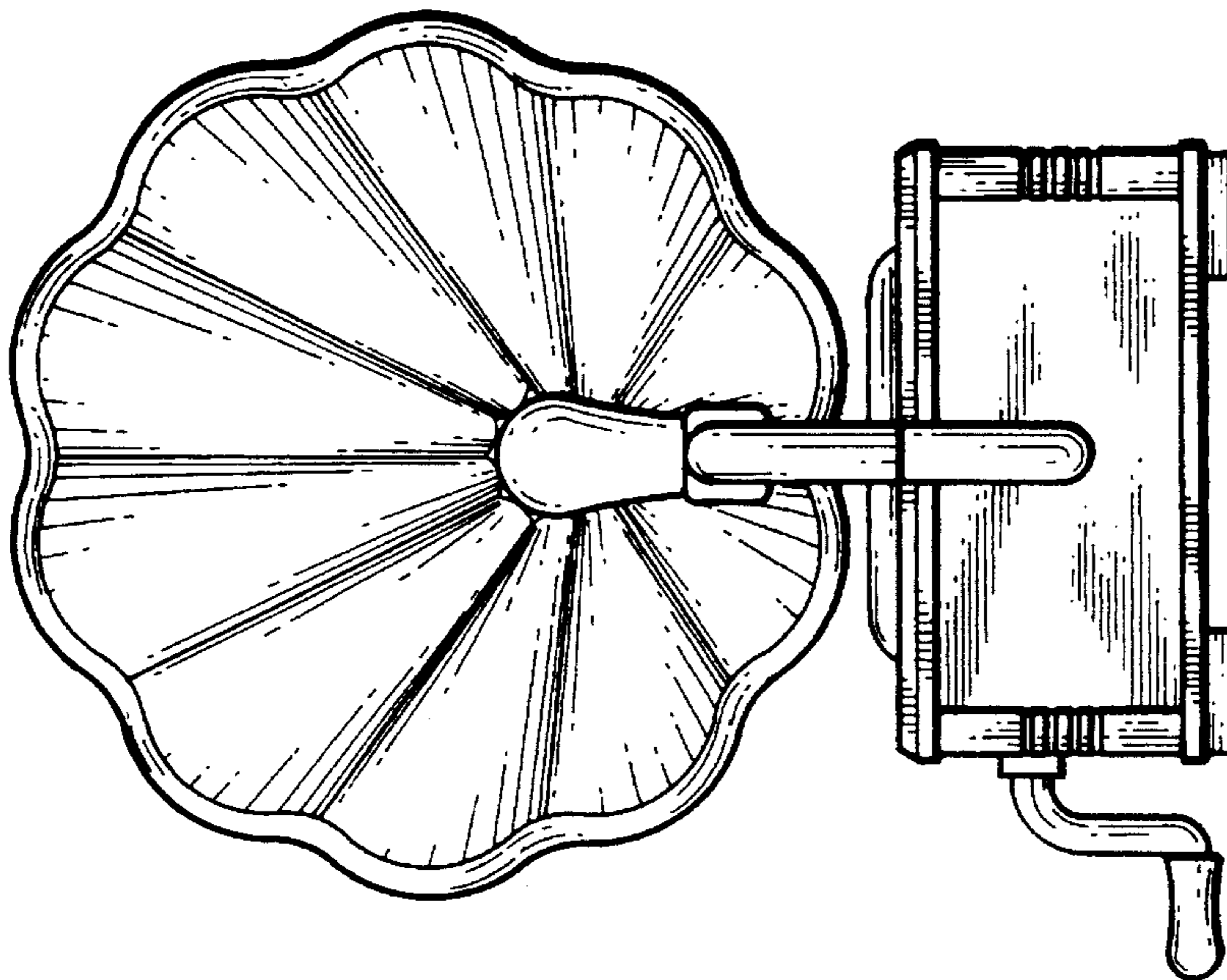


FIG. 2

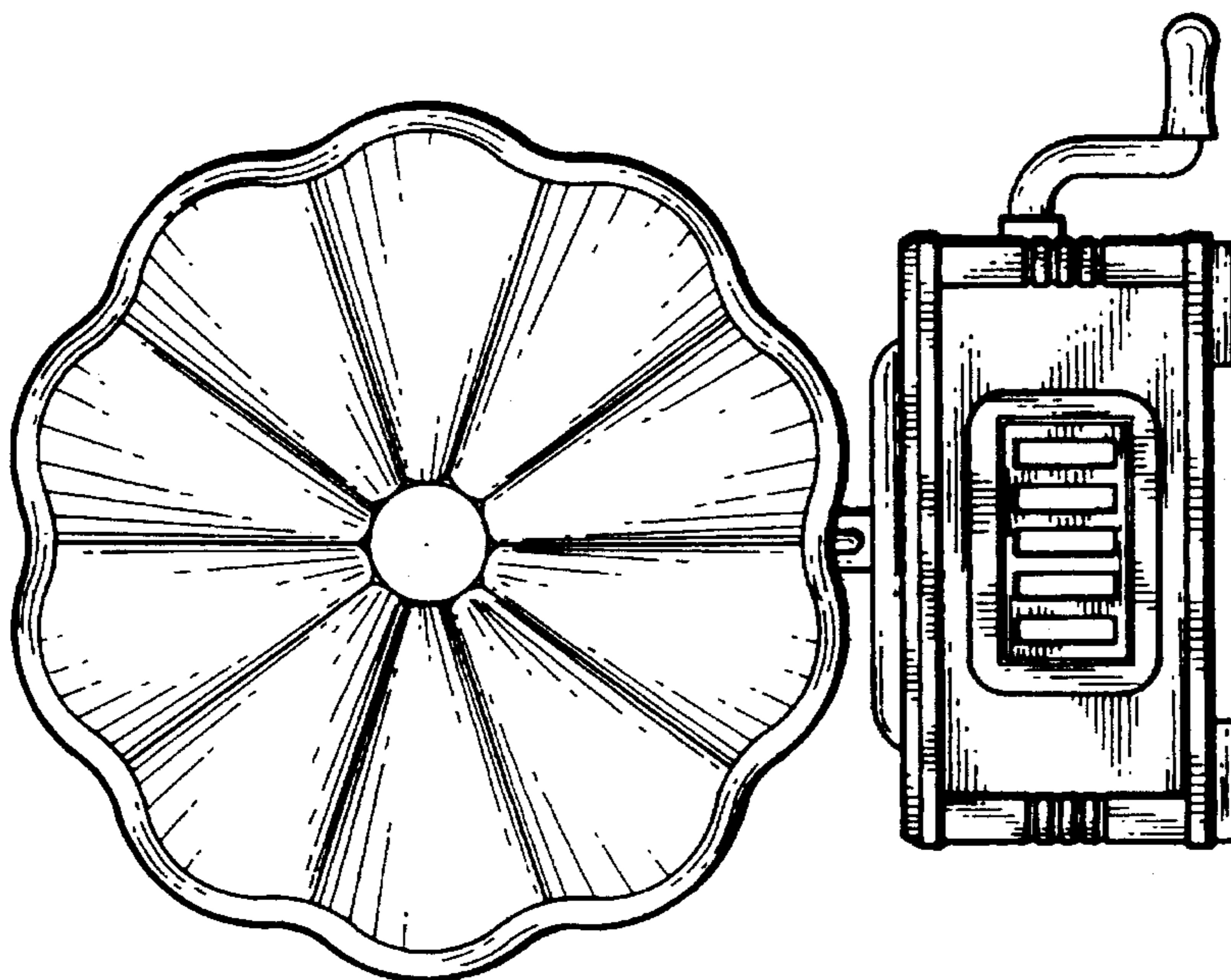


FIG. 1

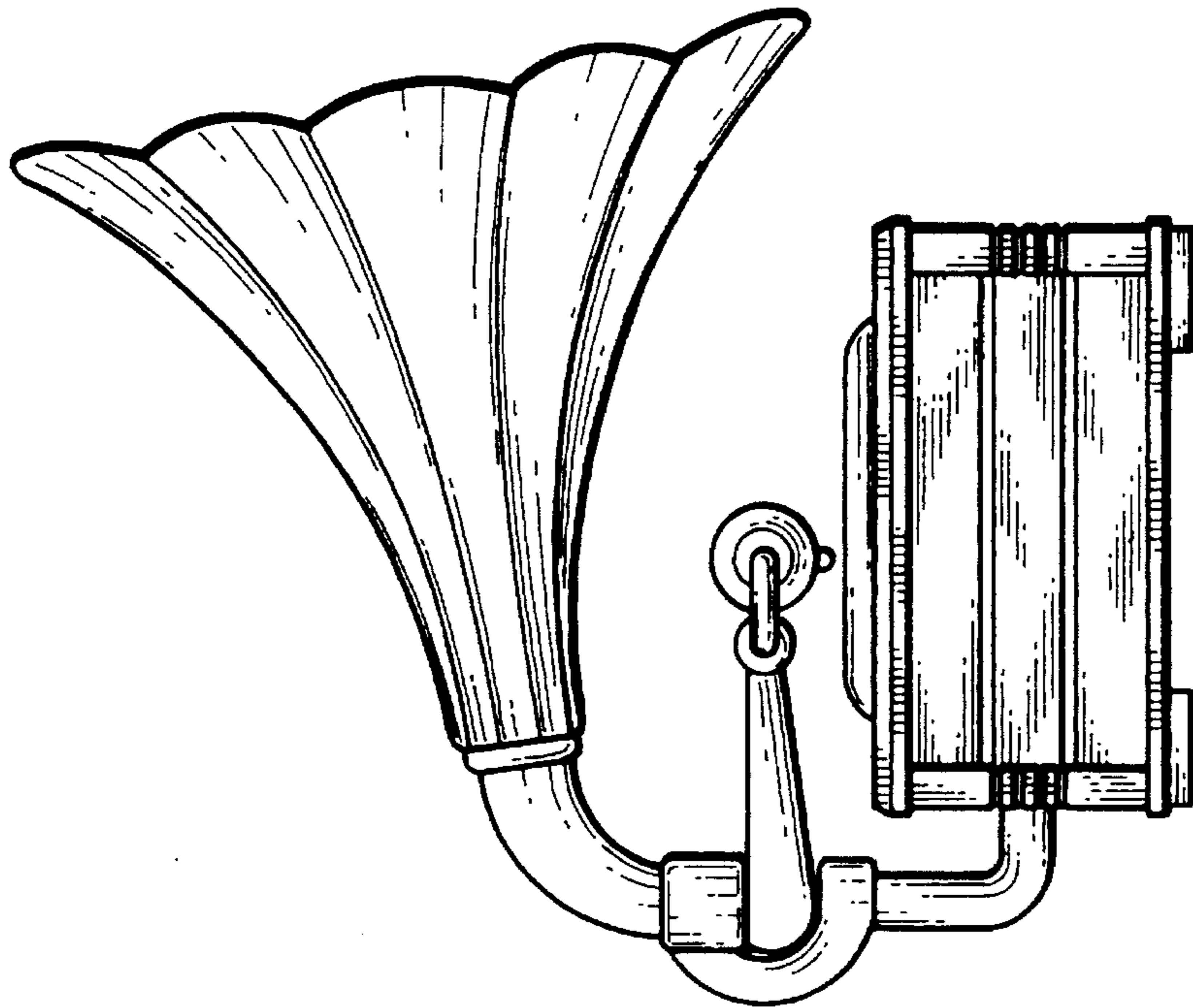


FIG. 4

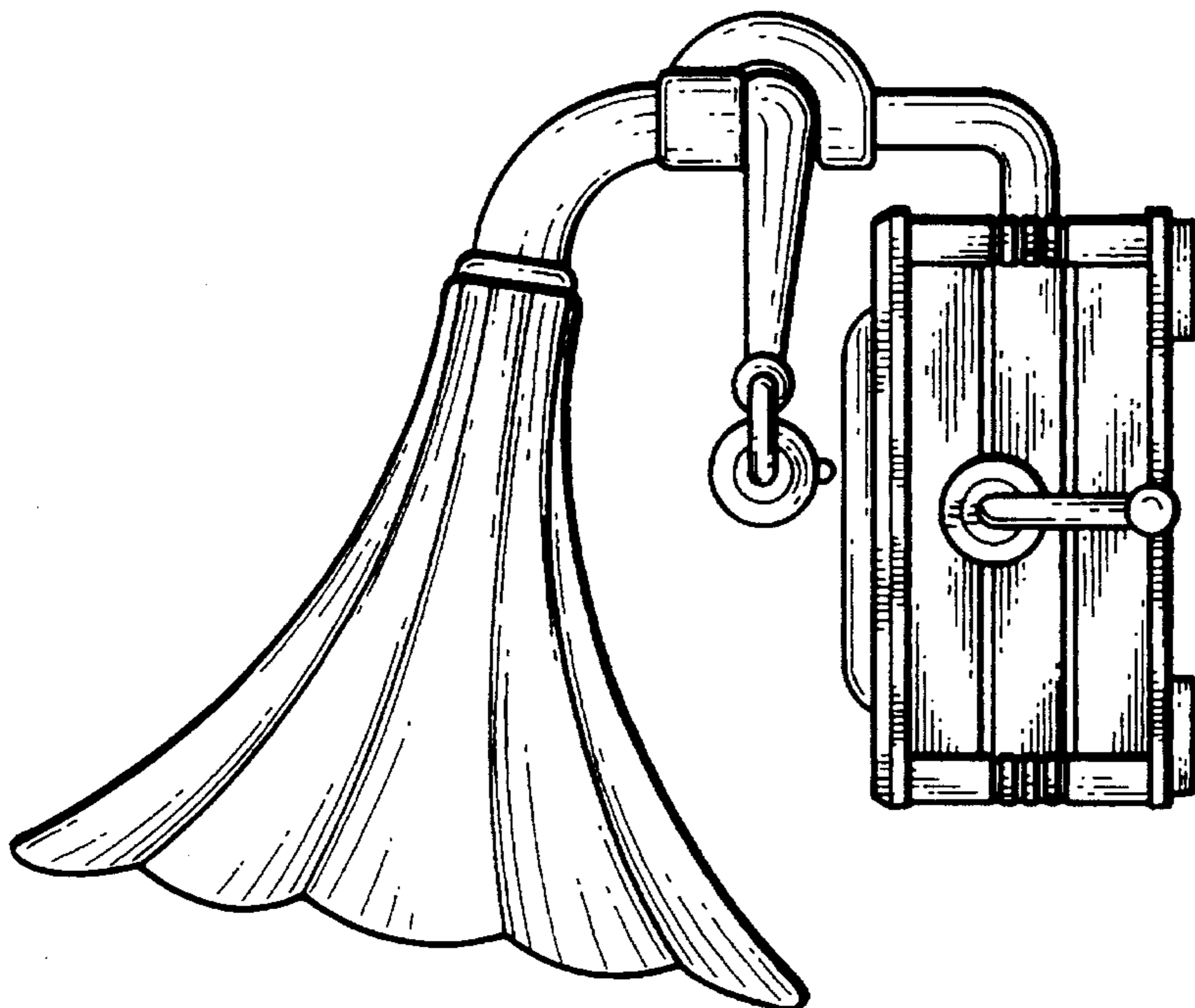


FIG. 3

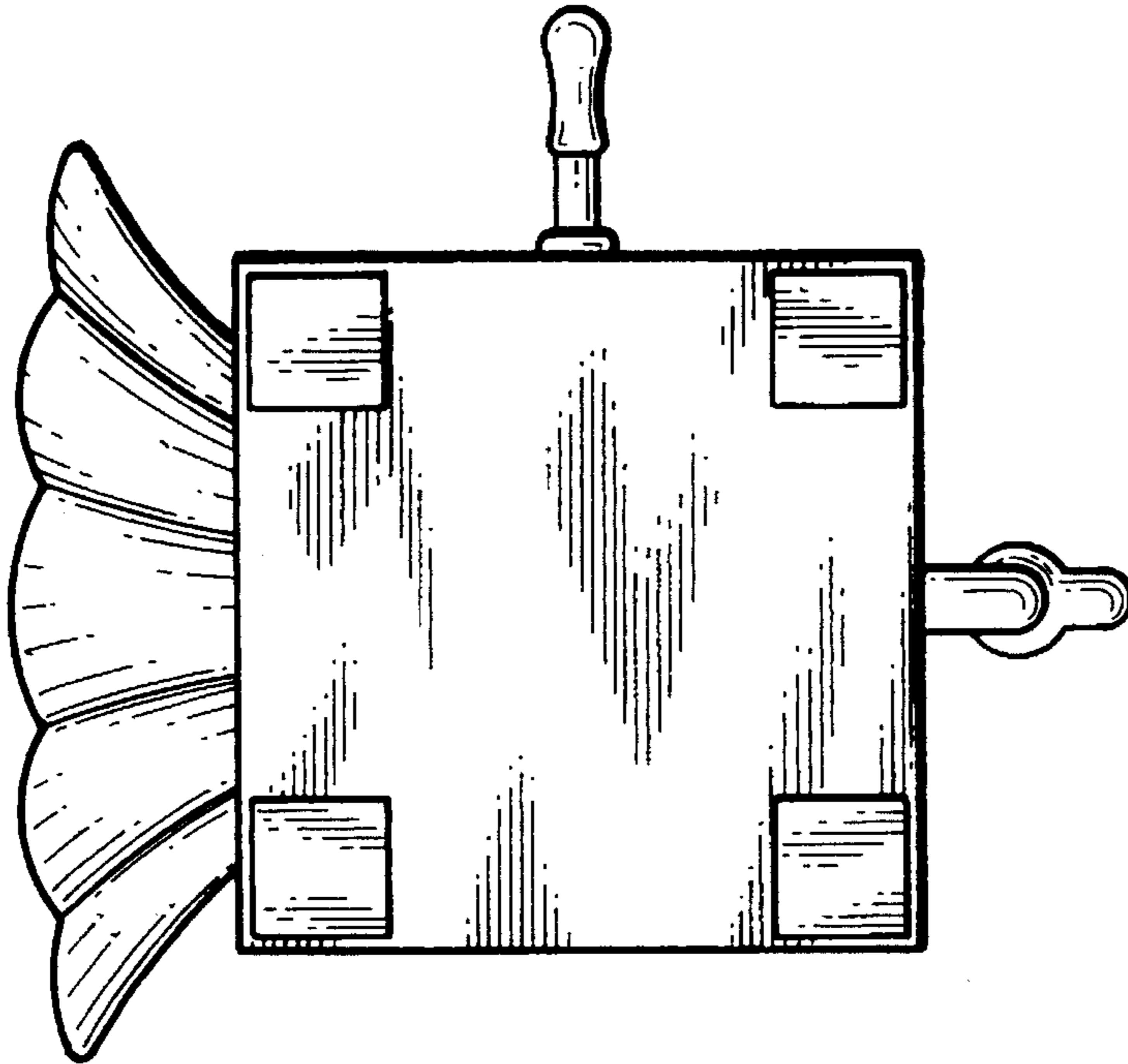


FIG. 6

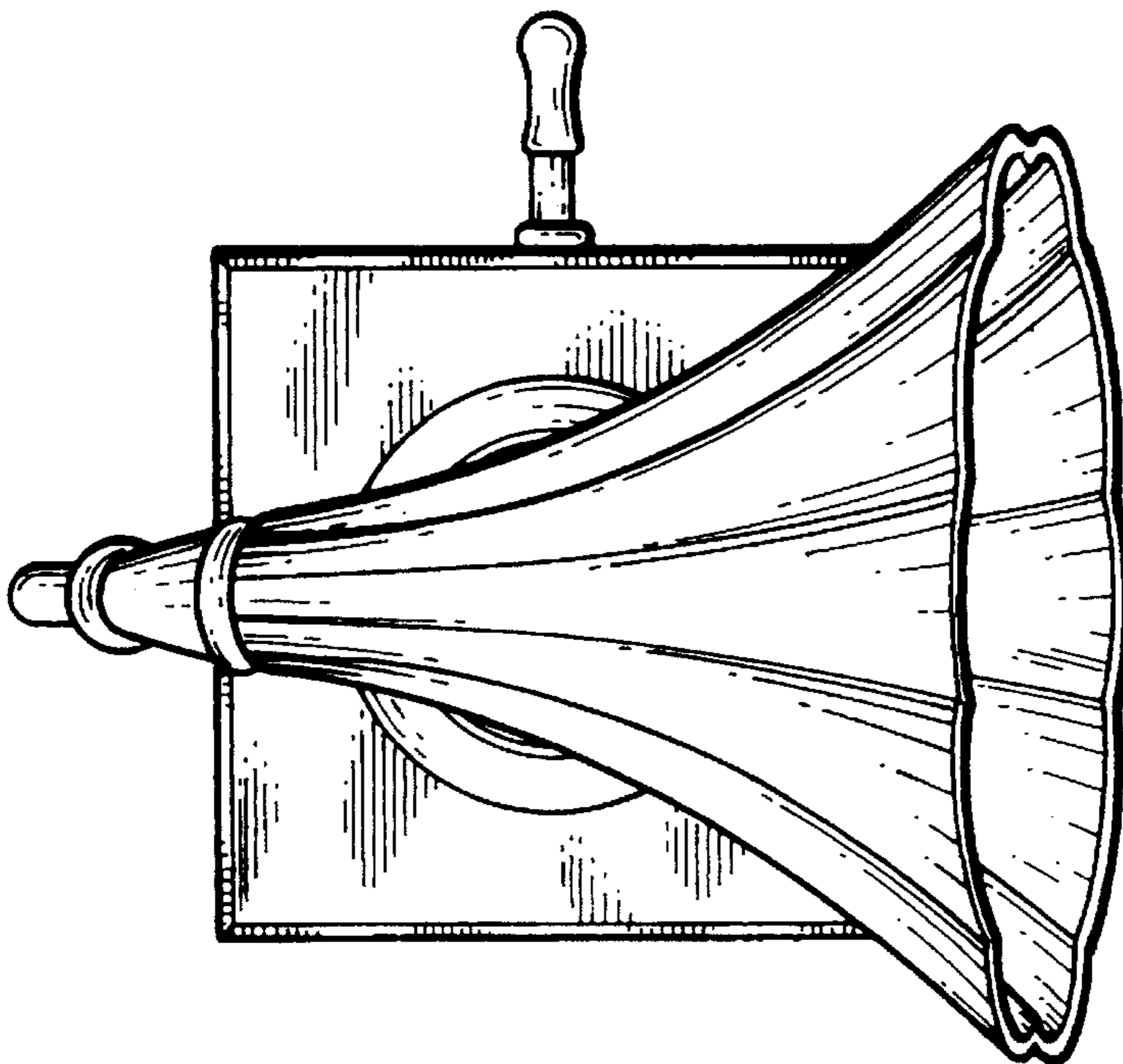


FIG. 5

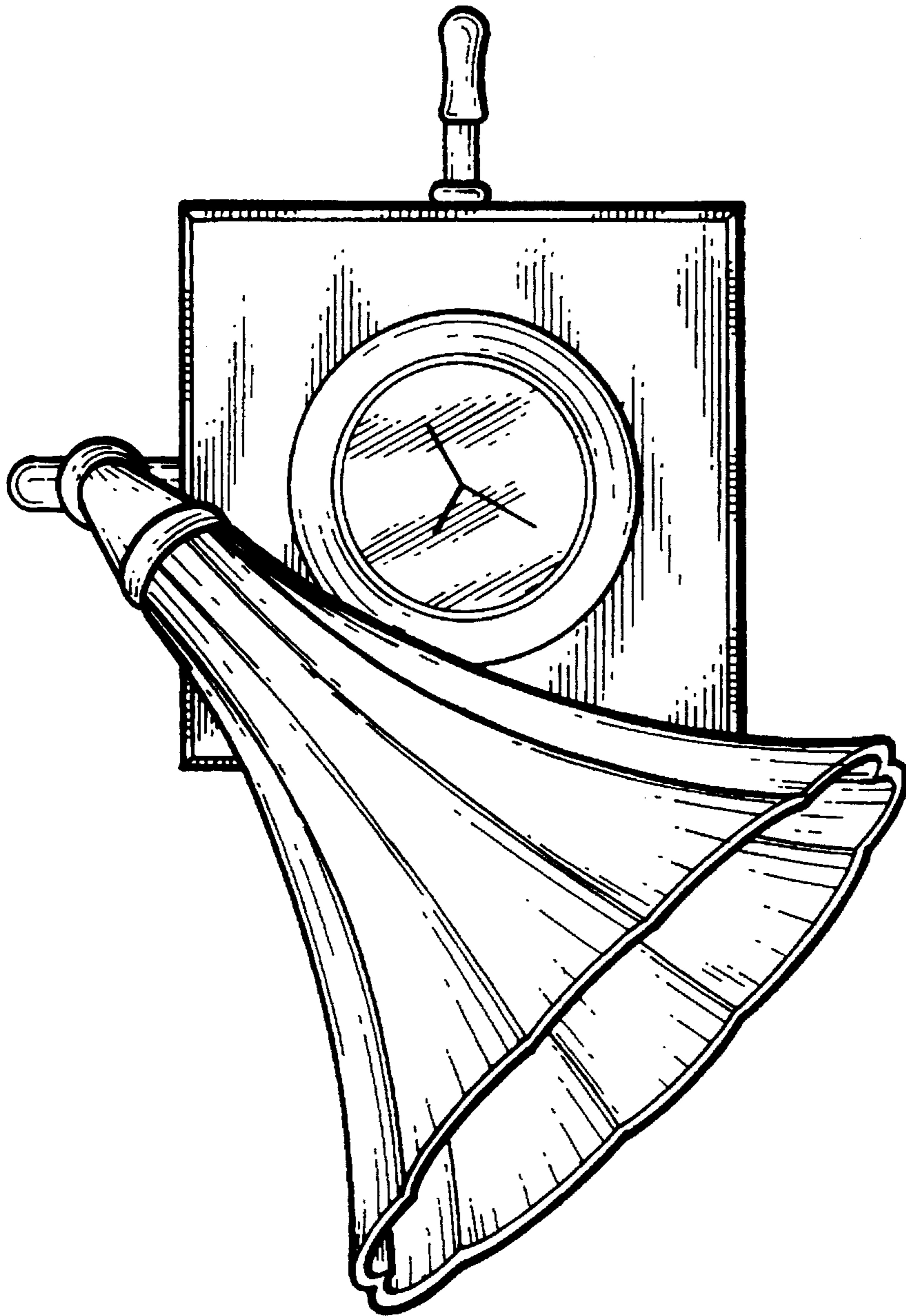


FIG. 7