



US00D372868S

United States Patent [19]
Kobayashi et al.

[11] **Patent Number: Des. 372,868**
[45] **Date of Patent: **Aug. 20, 1996**

[54] **CONTAINER**

5,190,157 3/1993 Przytulla 220/669 X

[75] Inventors: **Tomomi Kobayashi; Katsuhiko Imazu,**
both of Yokohama; **Akira Kobayashi,**
Chigasaki, all of Japan

FOREIGN PATENT DOCUMENTS

346654 1/1922 Germany 220/669

[73] Assignee: **Toyo Seikan Kaisha, Ltd.,** Tokyo,
Japan

Primary Examiner—Lucy Lieberman
Attorney, Agent, or Firm—The Morrison Law Firm

[**] Term: **14 Years**

[57] **CLAIM**

[21] Appl. No.: **36,999**

The ornamental design for a container, as shown and described.

[22] Filed: **Mar. 31, 1995**

DESCRIPTION

[52] **U.S. Cl.** **D9/500**

[58] **Field of Search** D9/500, 502, 501,
D9/503, 504, 518, 538, 539, 428; D7/523;
D34/39; 220/906, 669, 675

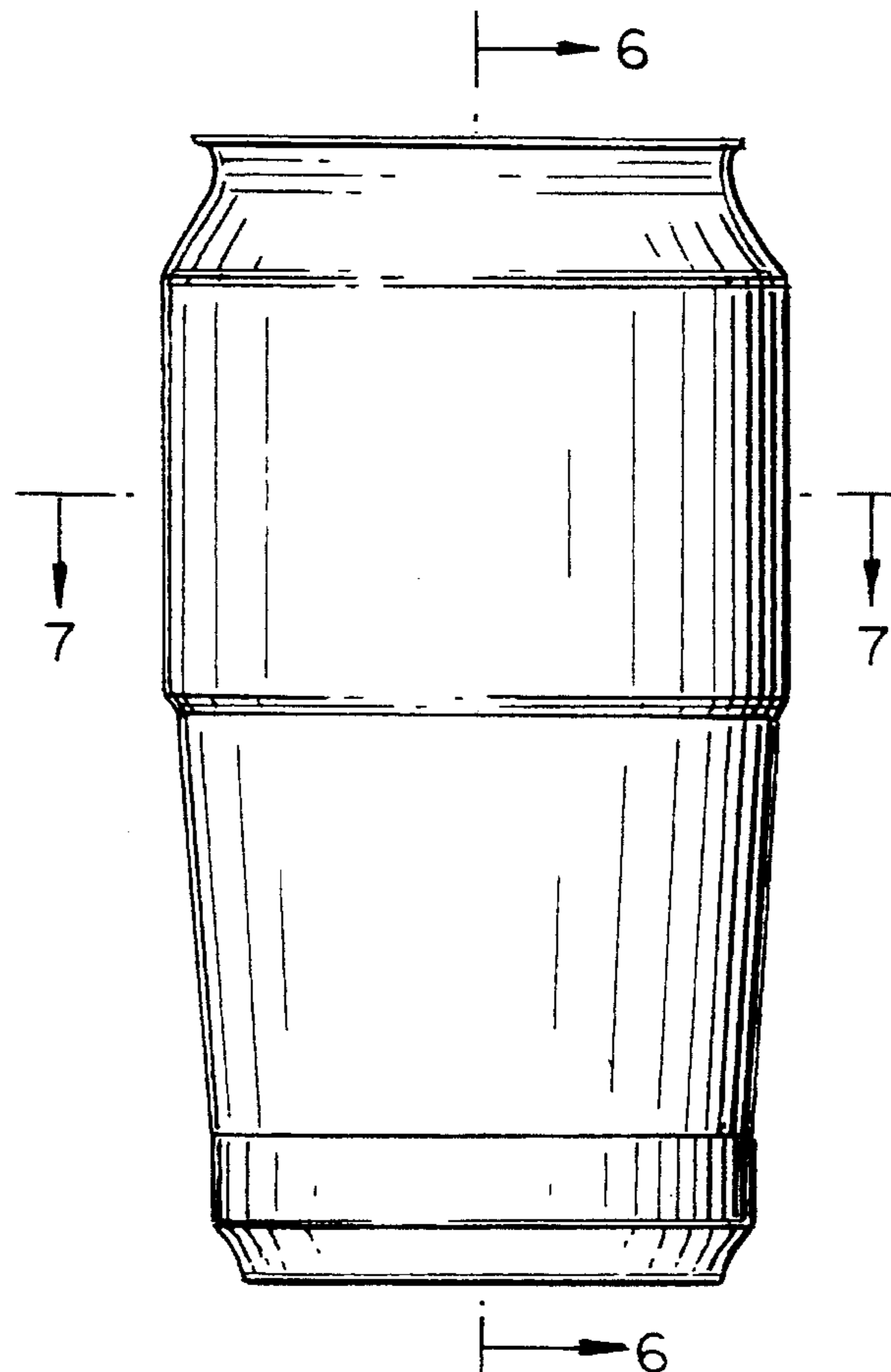
FIG. 1 is a perspective view of a container showing our design;
FIG. 2 is a front elevational view thereof, the rear elevation being the same;
FIG. 3 is a right end elevational view thereof, the left end elevational view being the same;
FIG. 4 is a top plan view thereof;
FIG. 5 is a bottom plan view thereof;
FIG. 6 is a vertical sectional view taken on the line 6—6 in FIG. 2; and,
FIG. 7 is a horizontal sectional view taken on the line 7—7 in FIG. 2.

[56] **References Cited**

U.S. PATENT DOCUMENTS

D. 47,798	9/1915	Pick	D7/523
D. 271,281	11/1983	Abbott et al.	D9/500
D. 289,937	5/1987	Cleveland, Jr.	D9/500 X
3,128,029	4/1964	Price et al.	D9/500 X
3,765,559	10/1973	Sauey et al.	D7/523 X
4,685,582	8/1987	Pulciani et al.	D9/500 X

1 Claim, 3 Drawing Sheets



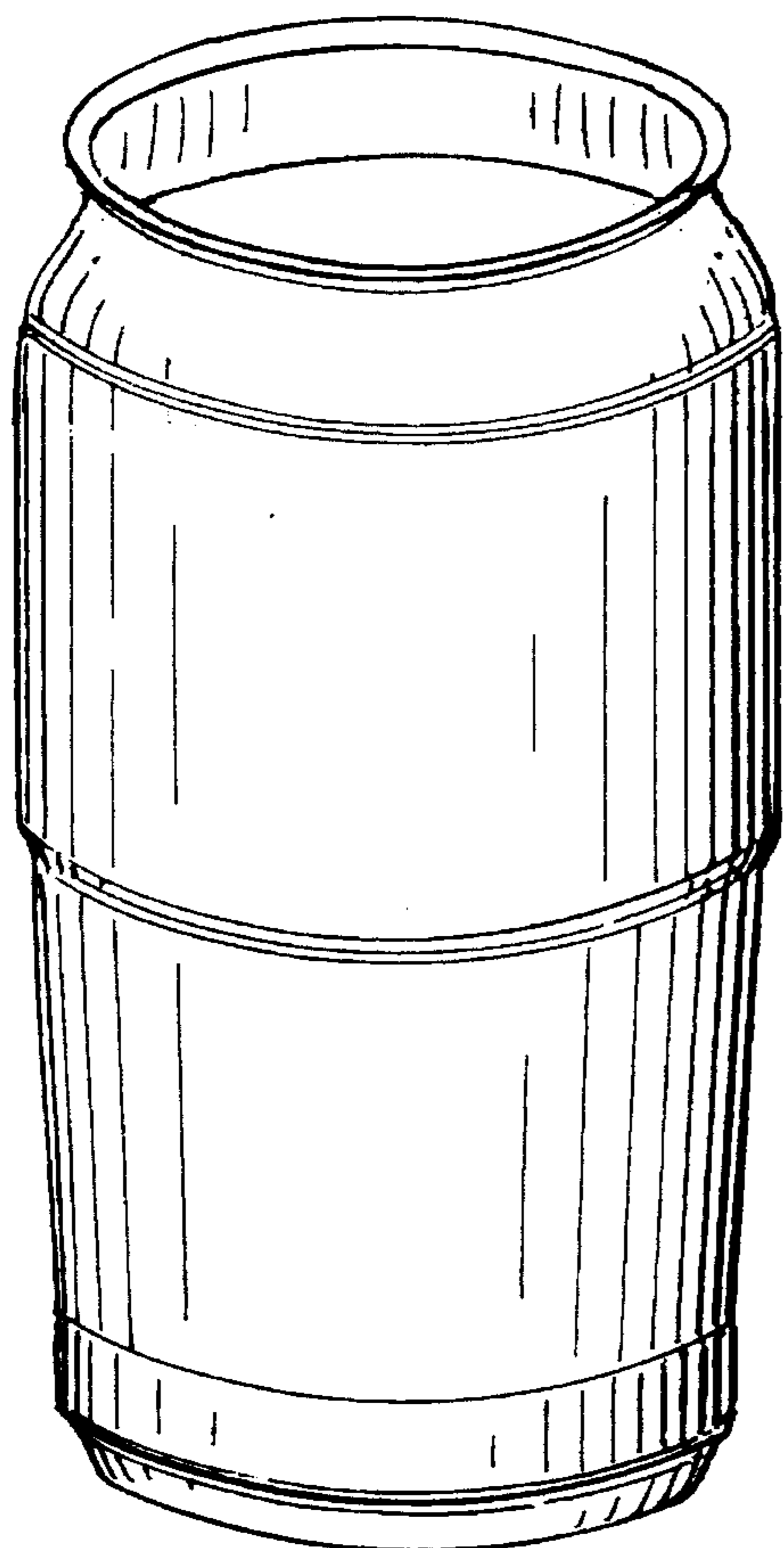


FIG. 1

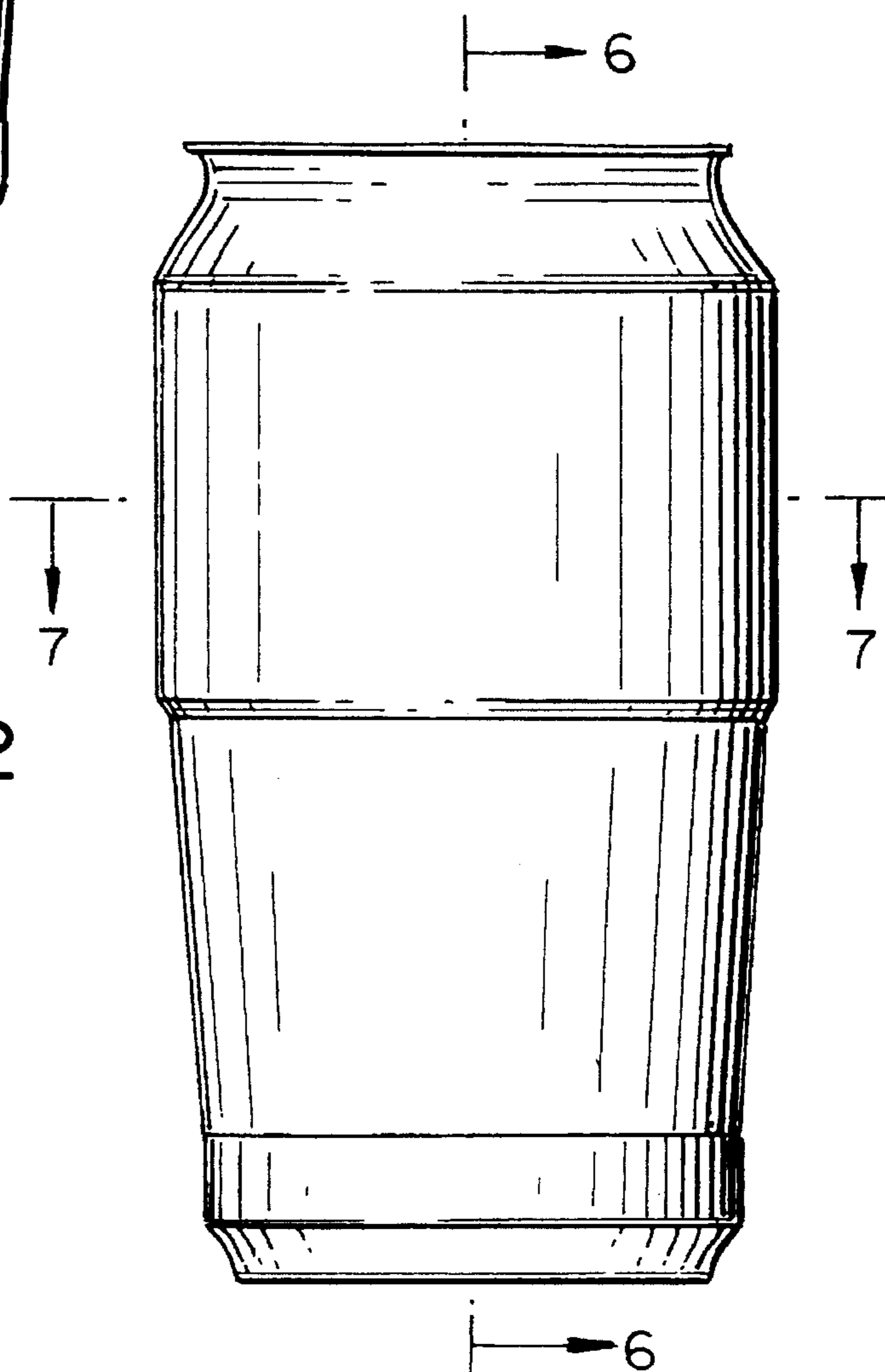


FIG. 2

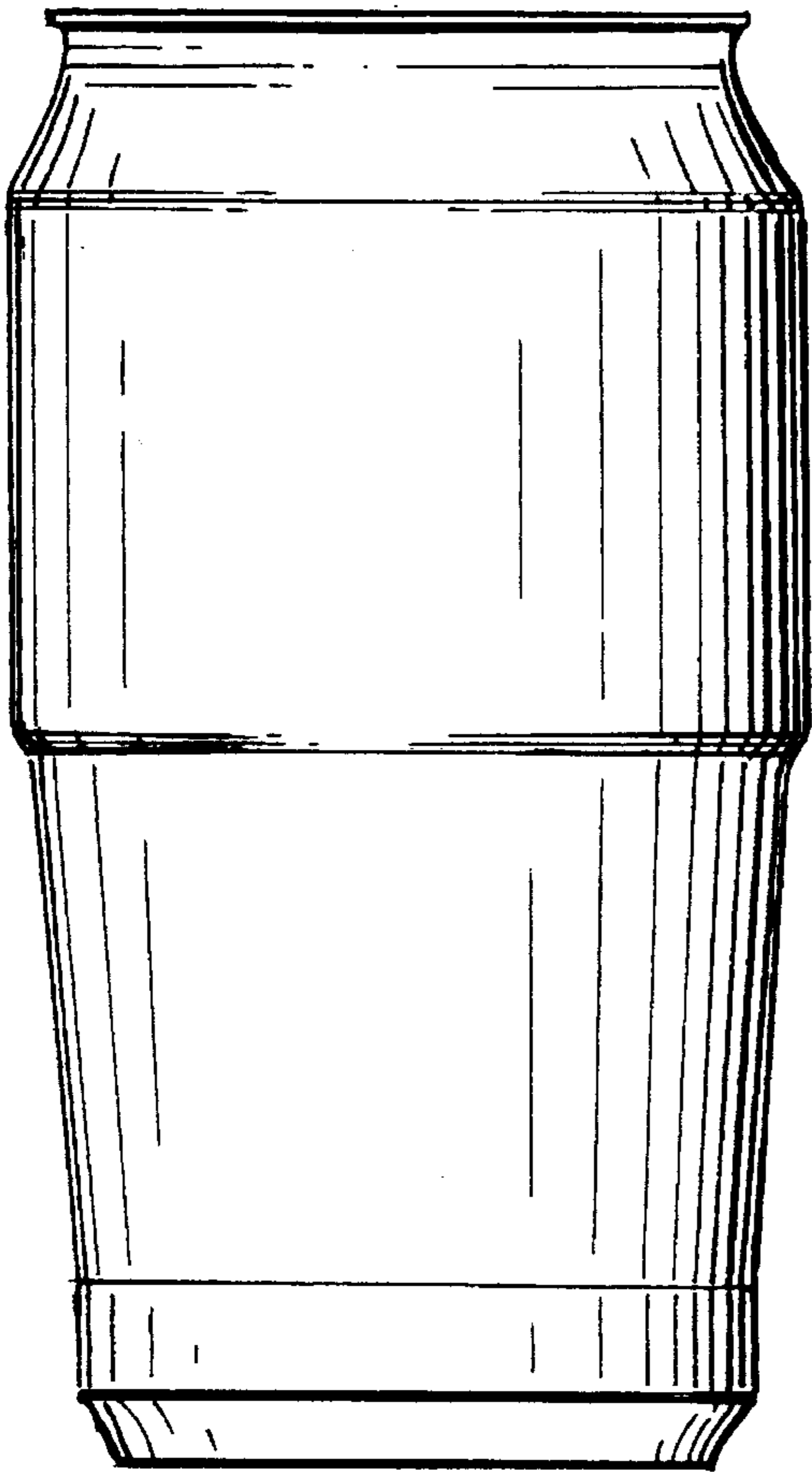


FIG. 3

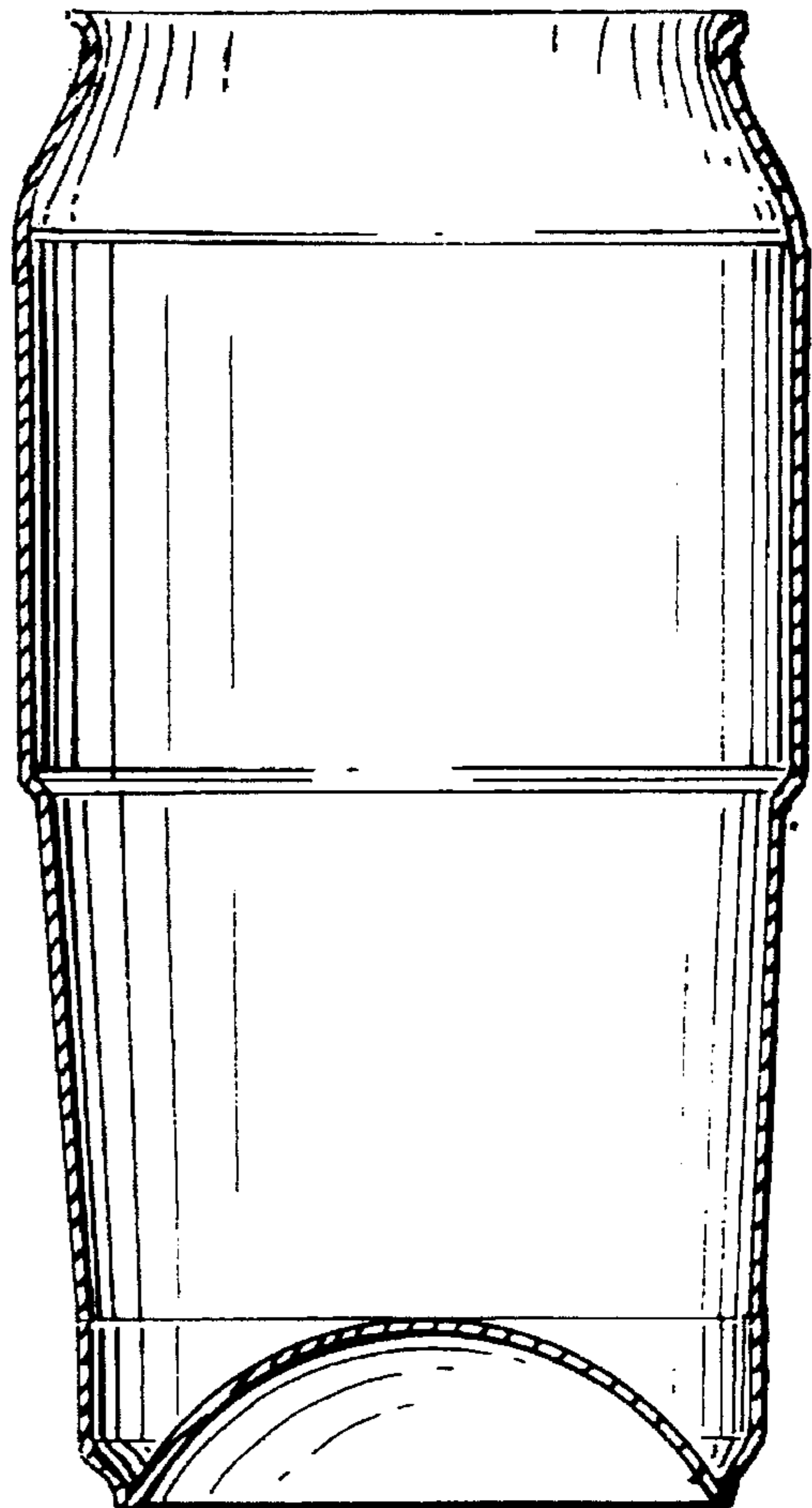


FIG. 6

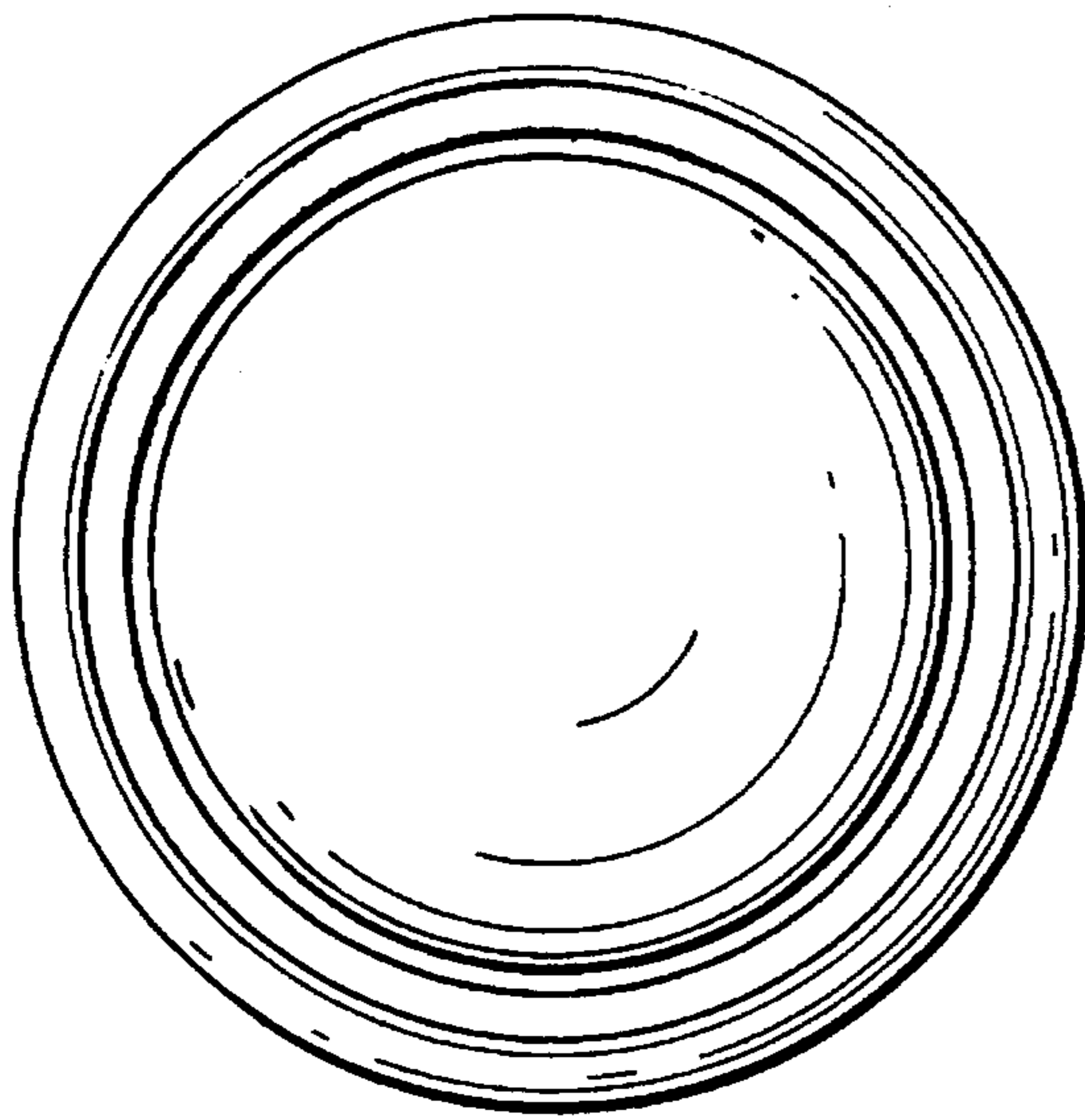


FIG. 4

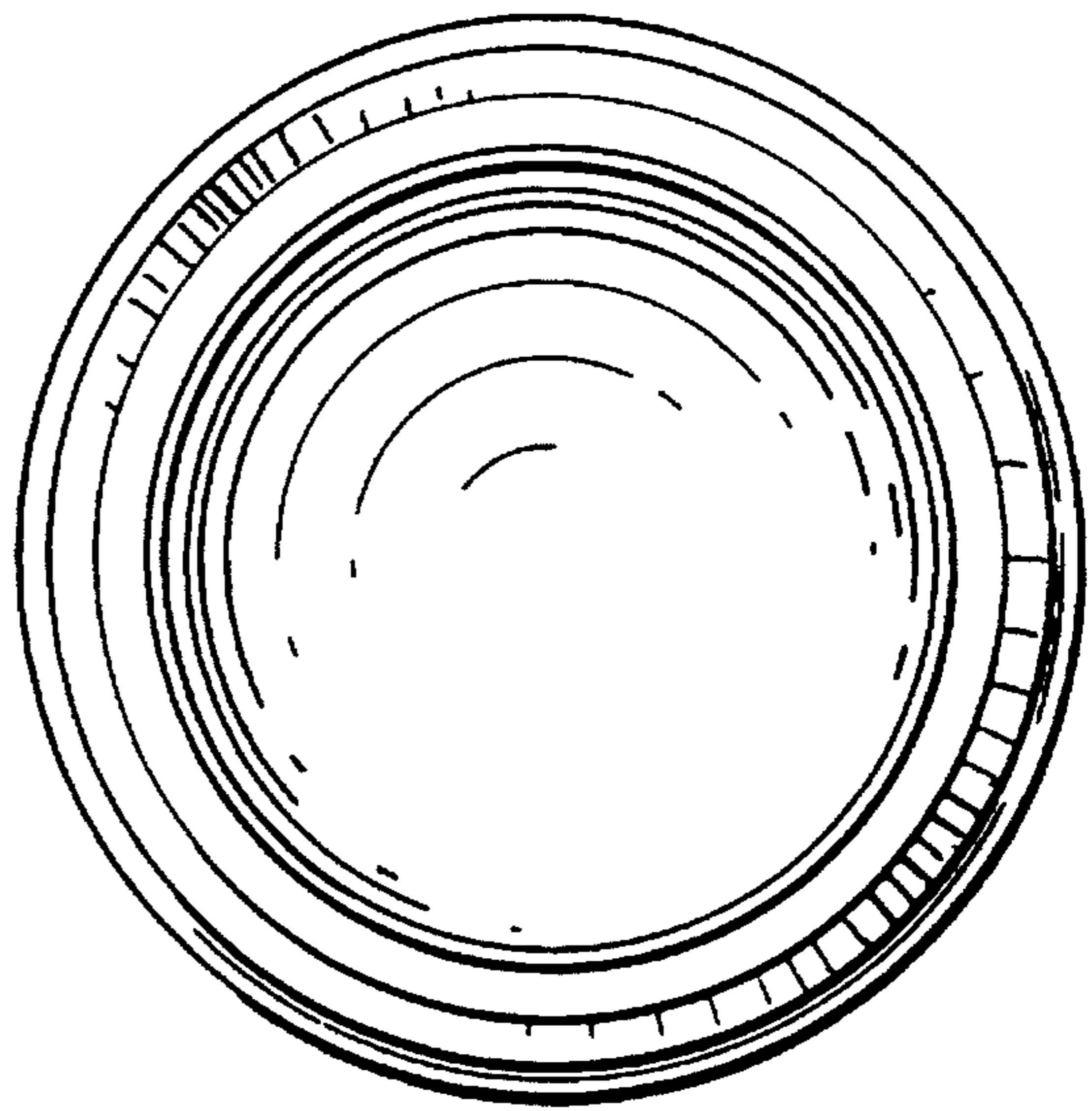


FIG. 5

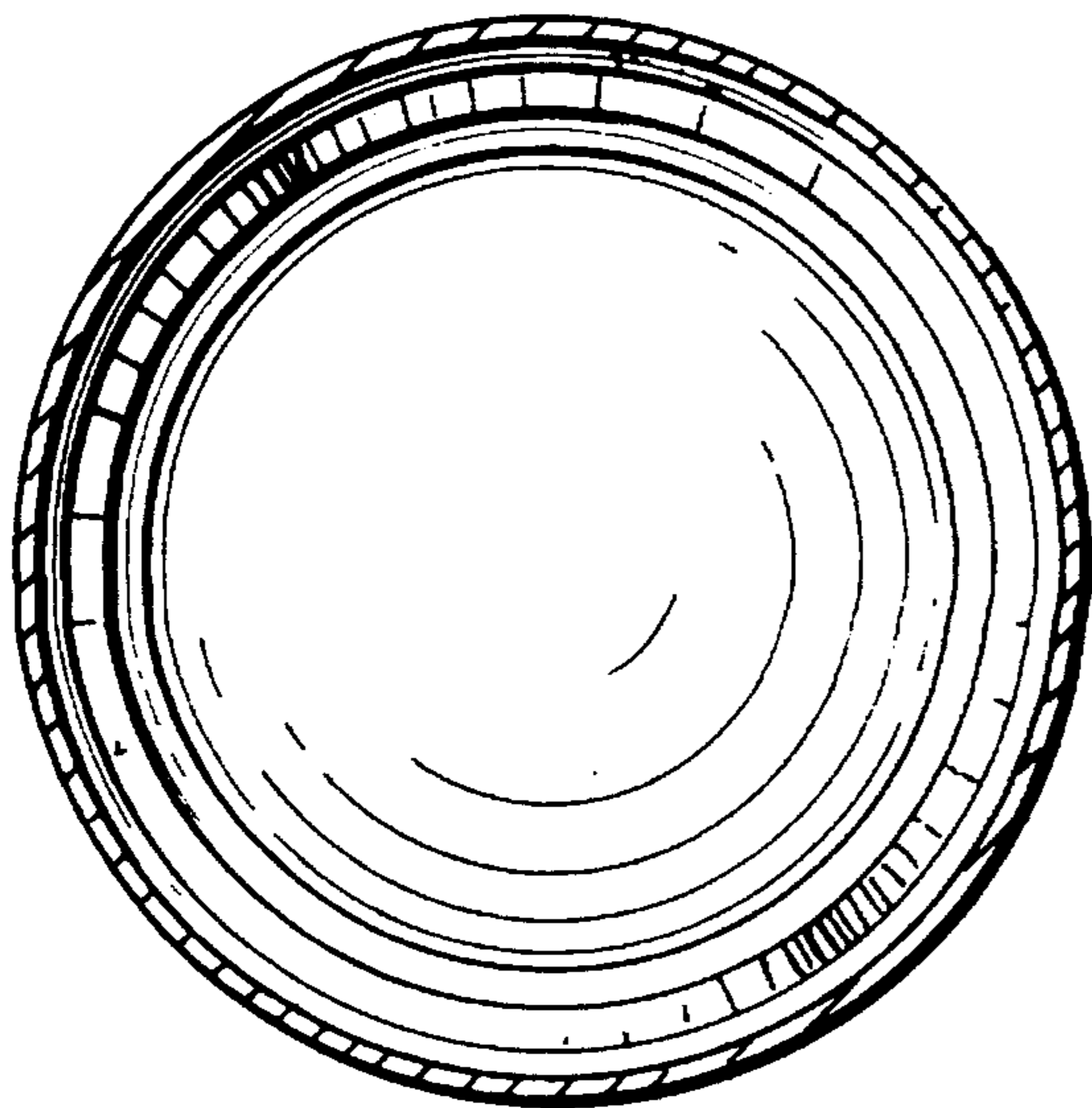


FIG. 7