



US00D372852S

# United States Patent [19]

[11] Patent Number: **Des. 372,852**

Noll et al.

[45] Date of Patent: **\*\*Aug. 20, 1996**

[54] **FLANGED HINGE**

468974	1/1953	Italy .....	16/390
51507	2/1910	Switzerland .....	16/390
2225808	6/1990	United Kingdom .....	16/390

[75] Inventors: **Bradley C. Noll**, Marietta; **John H. Spencer**, Atlanta, both of Ga.

### OTHER PUBLICATIONS

[73] Assignee: **Roger K. Patterson, Jr.**, Atlanta, Ga.; a part interest

*Sargent Locks & Hardware Cat. #42* ©1941; p. 483; hinges 520 and 525.

[\*\*] Term: **14 Years**

McMaster Catalog No. 97, p. 917 (date unknown).

[21] Appl. No.: **38,984**

*Primary Examiner*—Lucy Lieberman

[22] Filed: **May 18, 1995**

*Assistant Examiner*—C. Tuttle

[52] U.S. Cl. .... **D8/328**

*Attorney, Agent, or Firm*—William B. Noll

[58] Field of Search ..... D8/323, 327, 328;  
16/252, 390

### [57] CLAIM

The ornamental design for a flanged hinge, as shown and described.

### [56] References Cited

### DESCRIPTION

#### U.S. PATENT DOCUMENTS

FIG. 1 is a perspective view of the flanged hinge of this design, where the hinge is illustrated in a partially opened position;

D. 204,872	5/1966	Davis .....	D8/323
D. 265,048	6/1982	Guardia .....	D8/328
418,021	12/1889	Harris .....	16/390
929,615	7/1909	Madden .....	16/252
1,640,525	8/1927	Belliveau .....	16/390
2,268,669	1/1942	Moore .....	16/390 X
3,153,807	10/1964	Nyman .....	16/390

FIG. 2 is a front elevational view of the design hereof, where a rear view is identical thereto;

FIG. 3 is a side view thereof, with the opposite side view being identical thereto;

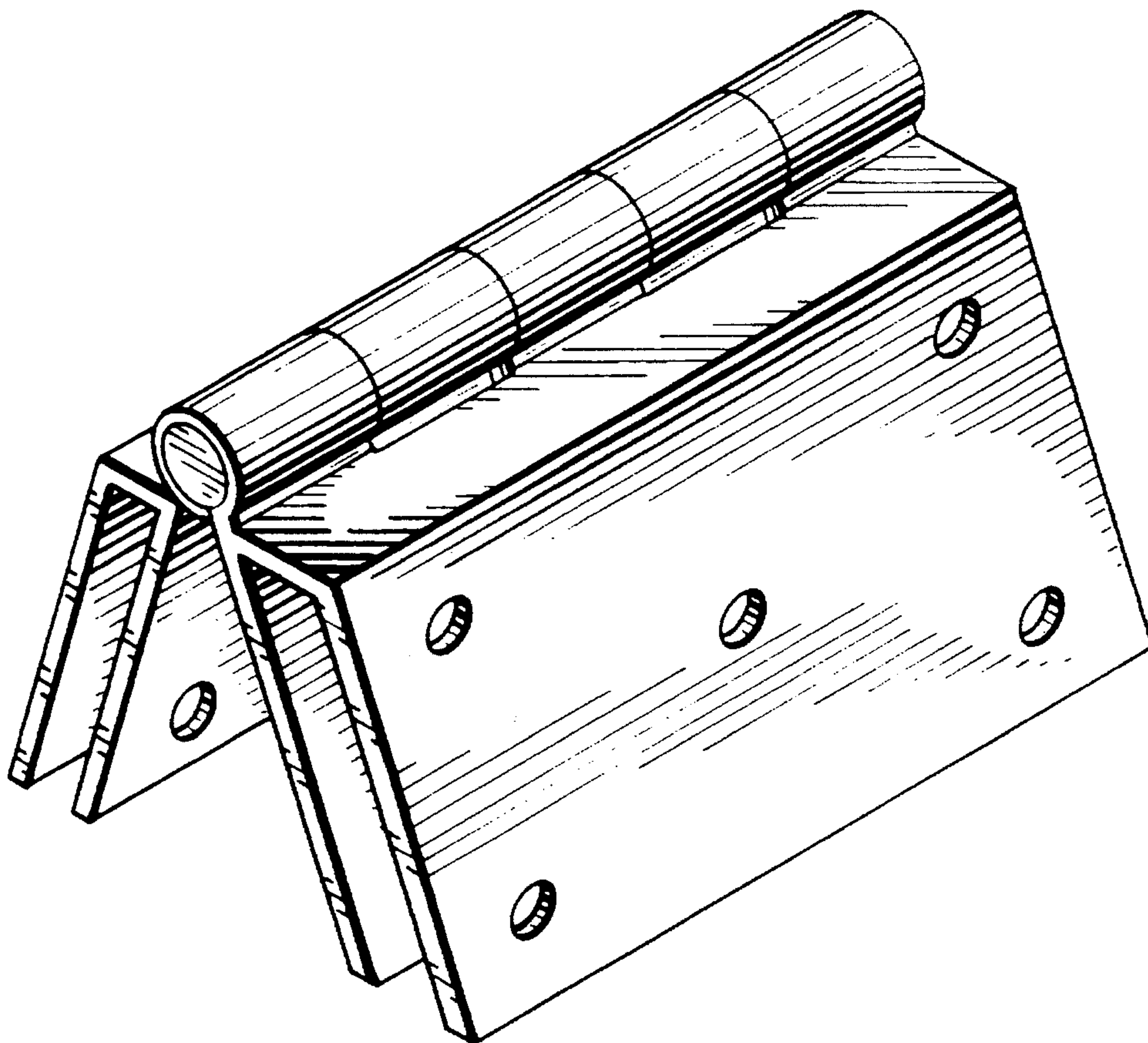
FIG. 4 is a top plan view thereof; and,

FIG. 5 is a bottom plan view thereof.

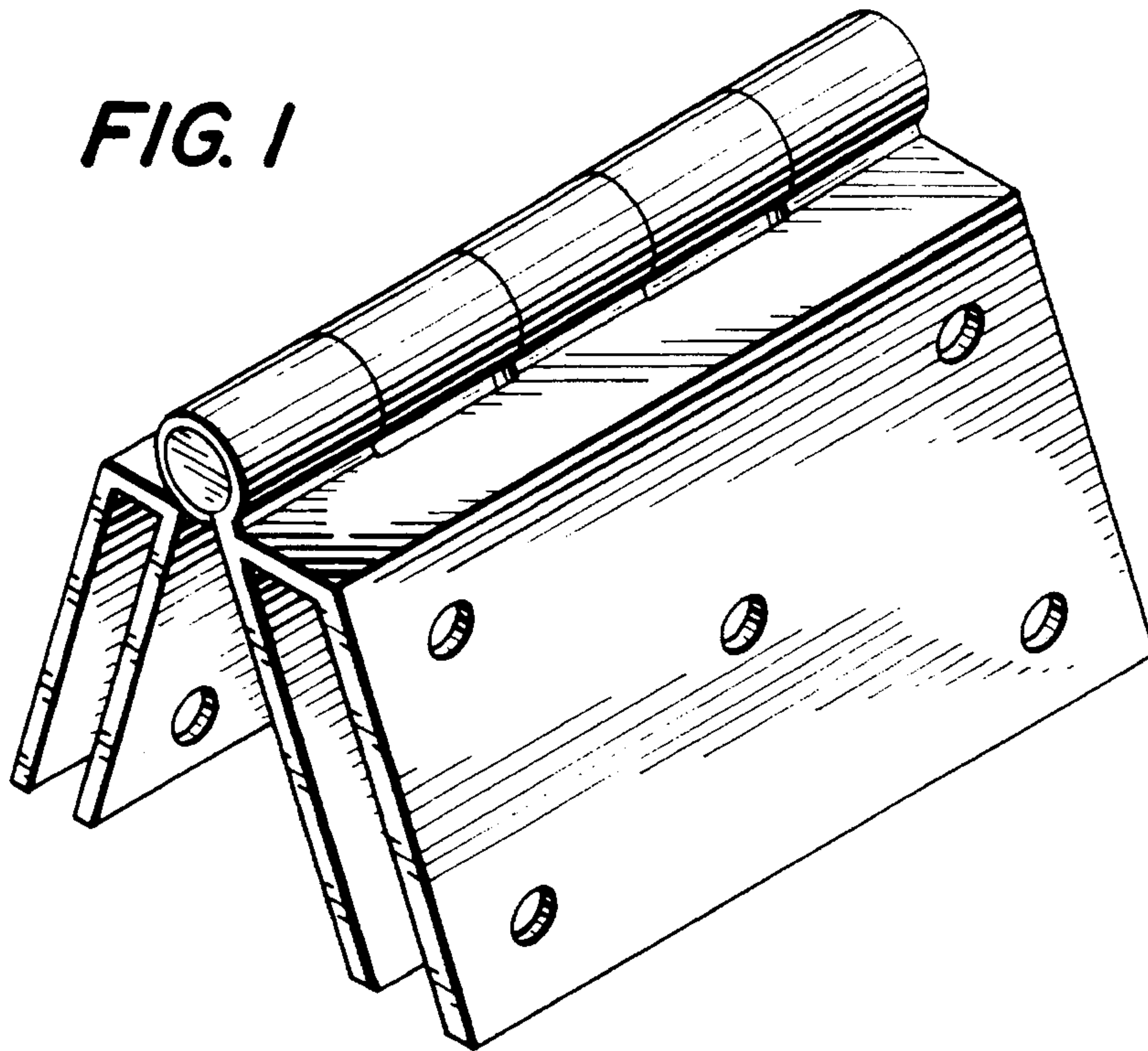
#### FOREIGN PATENT DOCUMENTS

1196541	7/1965	Germany .....	16/390
---------	--------	---------------	--------

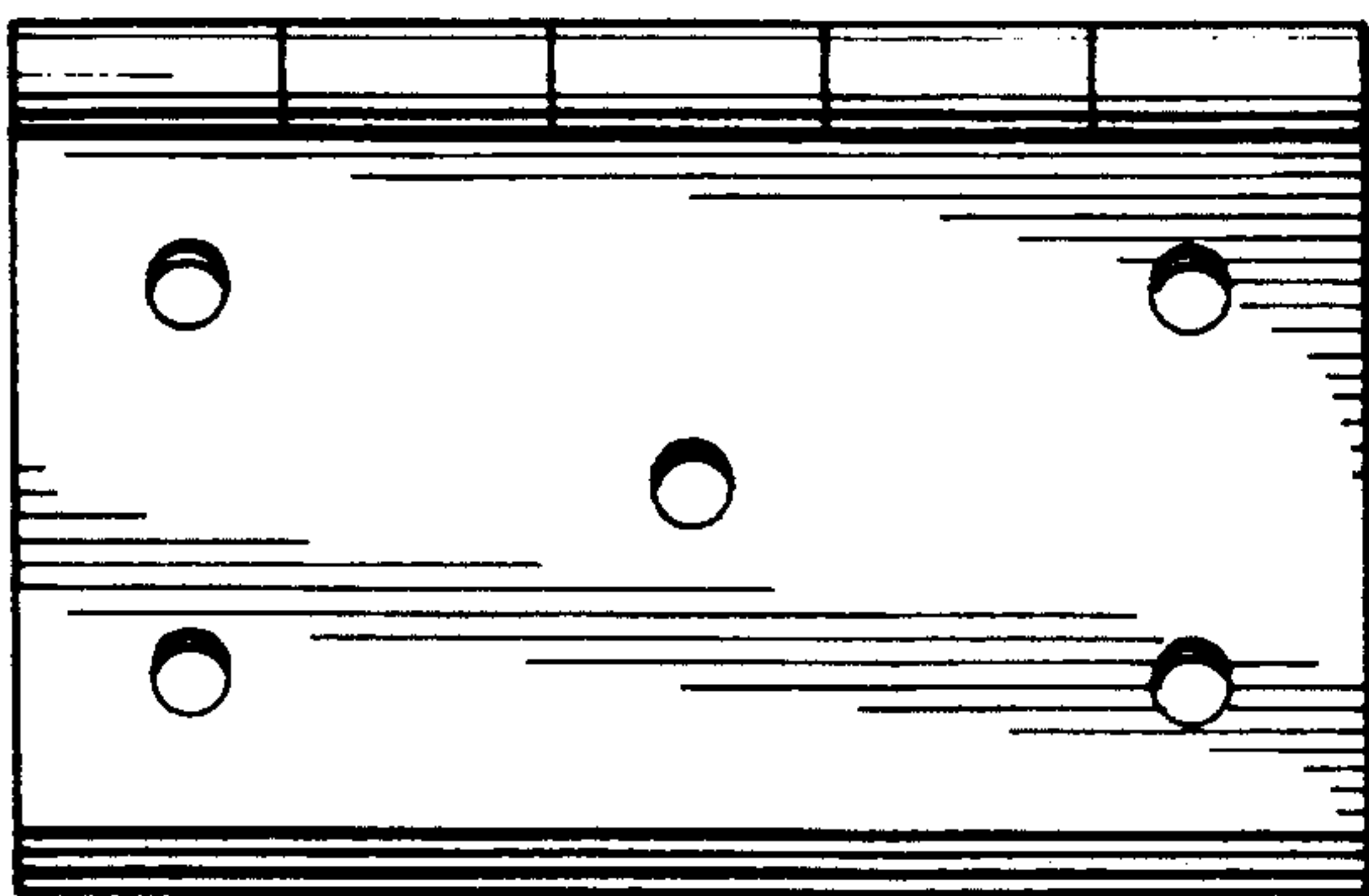
**1 Claim, 1 Drawing Sheet**



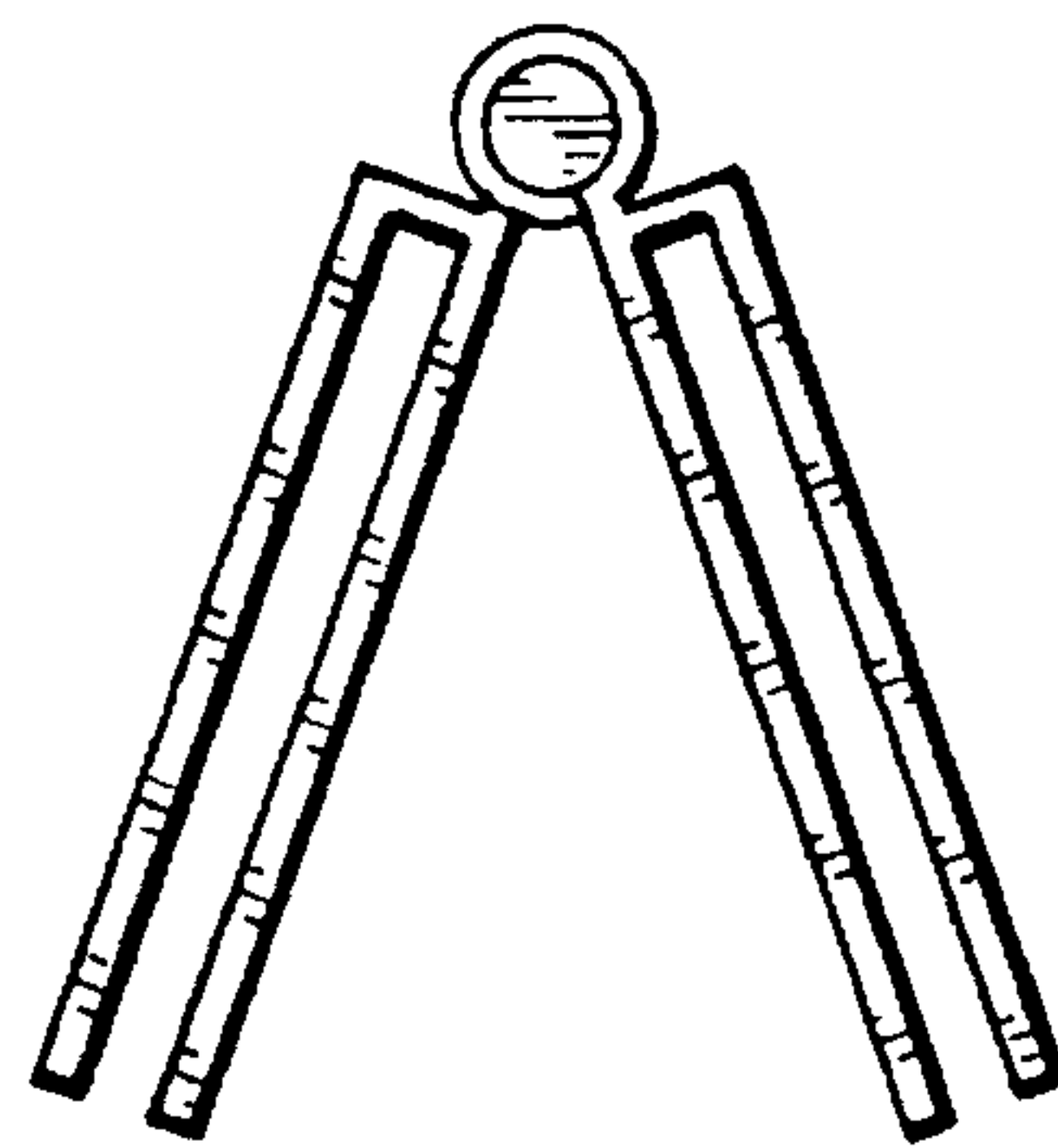
**FIG. 1**



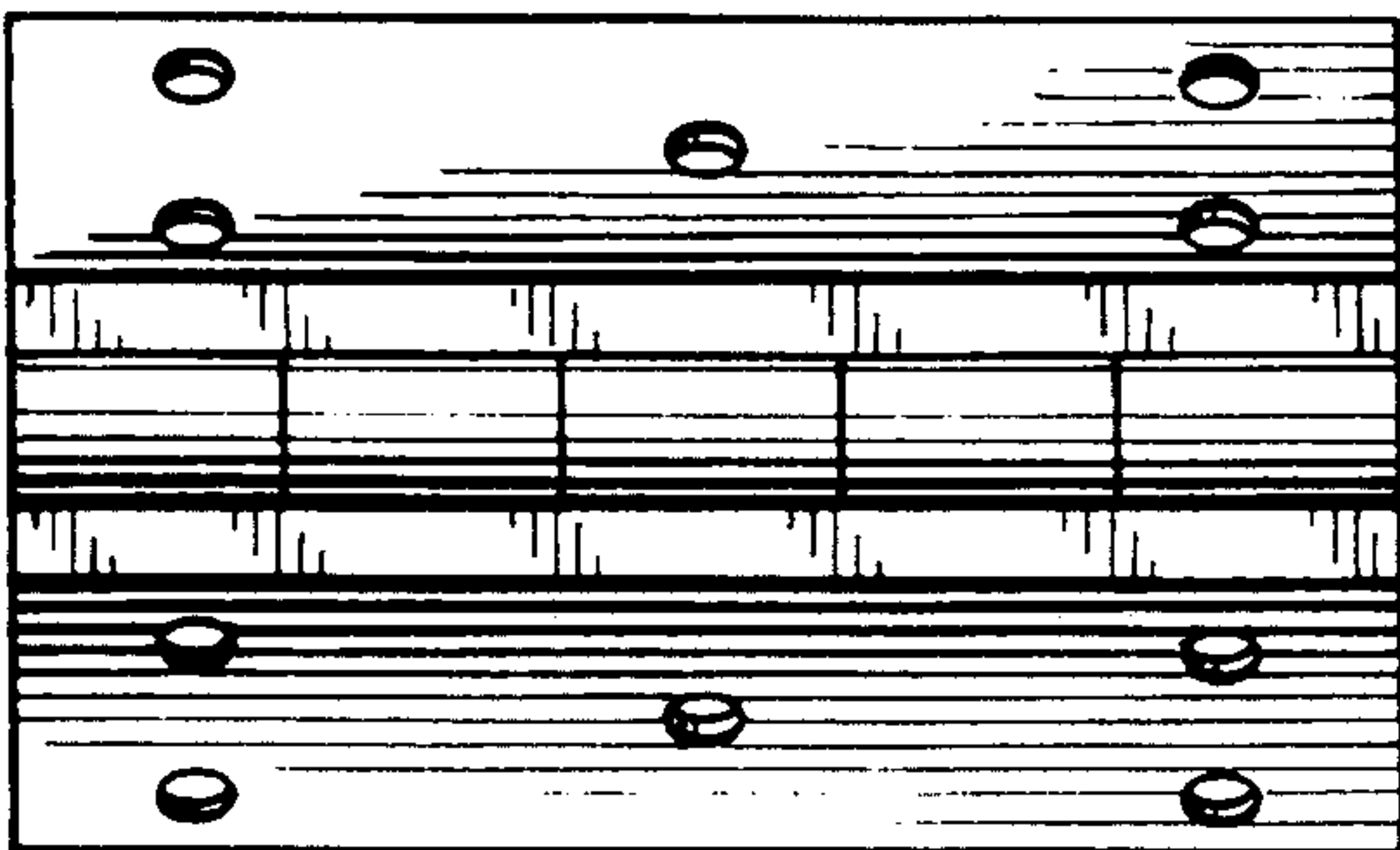
**FIG. 2**



**FIG. 3**



**FIG. 4**



**FIG. 5**

