



US00D372849S

United States Patent [19]

Noble et al.

[11] Patent Number: **Des. 372,849**

[45] Date of Patent: ****Aug. 20, 1996**

[54] **CASSETTE GRIPPER**

[75] Inventors: **John R. Noble**, Raleigh; **Jeffrey A. Harber**, Durham; **Thanh-Binh N. Nguyen**, Cary; **Luis G. Andrade**, Durham, all of N.C.

[73] Assignee: **Mitsubishi Semiconductor America, Inc.**, Durham, N.C.

[**] Term: **14 Years**

[21] Appl. No.: **34,981**

[22] Filed: **Dec. 19, 1994**

[52] U.S. Cl. **D8/51**

[58] Field of Search D8/51, 52, 14; 294/16, 27.1, 33, 34; 16/114 R; 81/488

4,595,221	6/1986	de Geus et al.	294/16
4,705,444	11/1987	Tullis et al.	414/226
4,875,825	10/1989	Tullis et al.	414/786
4,923,353	5/1990	Tullis et al.	414/226
4,968,077	11/1990	Redmon, Jr. et al.	294/16
5,029,922	7/1991	DiNapoli et al.	294/27.1
5,110,167	5/1992	Friend	294/16

Primary Examiner—Philip S Hyder
Attorney, Agent, or Firm—Lowe, Price, LeBlanc & Becker

[57] CLAIM

The ornamental design for a cassette gripper, as shown and described.

DESCRIPTION

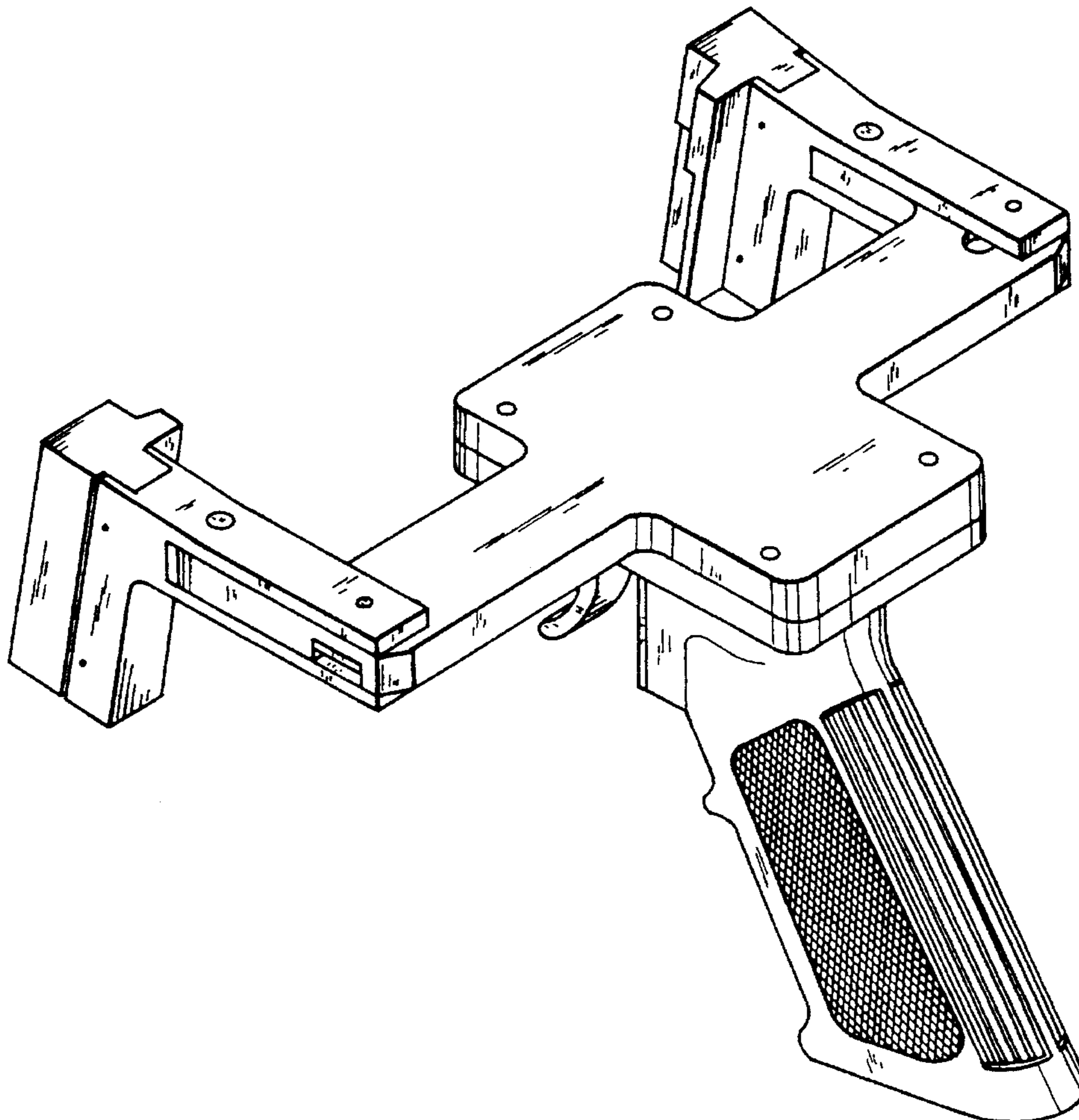
FIG. 1 is a rear perspective view of a cassette gripper showing our new design;
 FIG. 2 is a right side elevational view thereof, with the left side elevational view being identical a mirror image thereof;
 FIG. 3 is a front elevational view thereof;
 FIG. 4 is a top view thereof;
 FIG. 5 is a rear elevational view thereof; and,
 FIG. 6 is a bottom view thereof.

1 Claim, 4 Drawing Sheets

[56] References Cited

U.S. PATENT DOCUMENTS

2,936,192	5/1960	Lince	294/16
3,861,733	1/1975	Vander Mey	294/33
3,923,191	12/1975	Johnson	294/16
4,195,871	4/1980	Chilton et al.	294/16



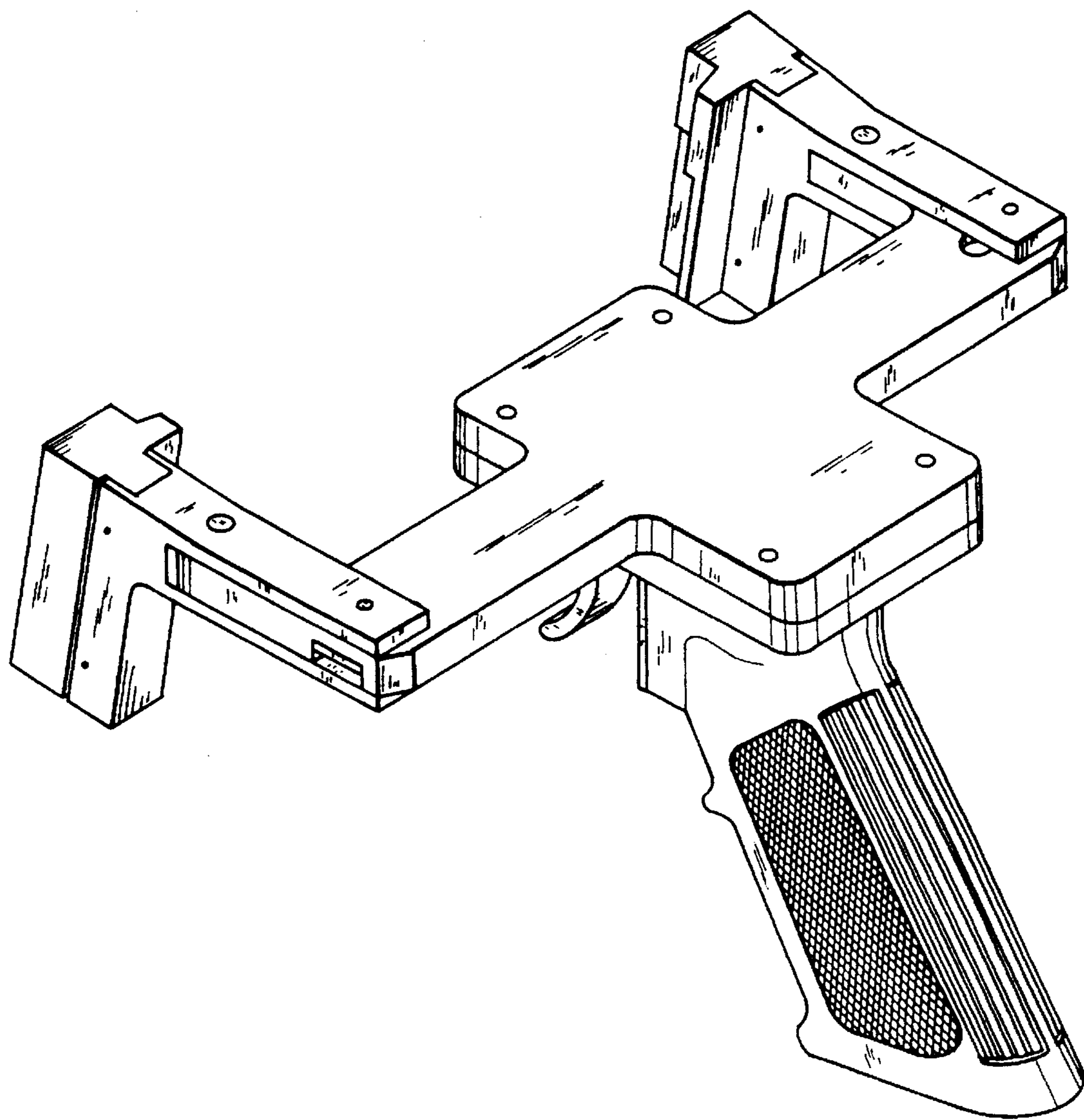


FIG. 1

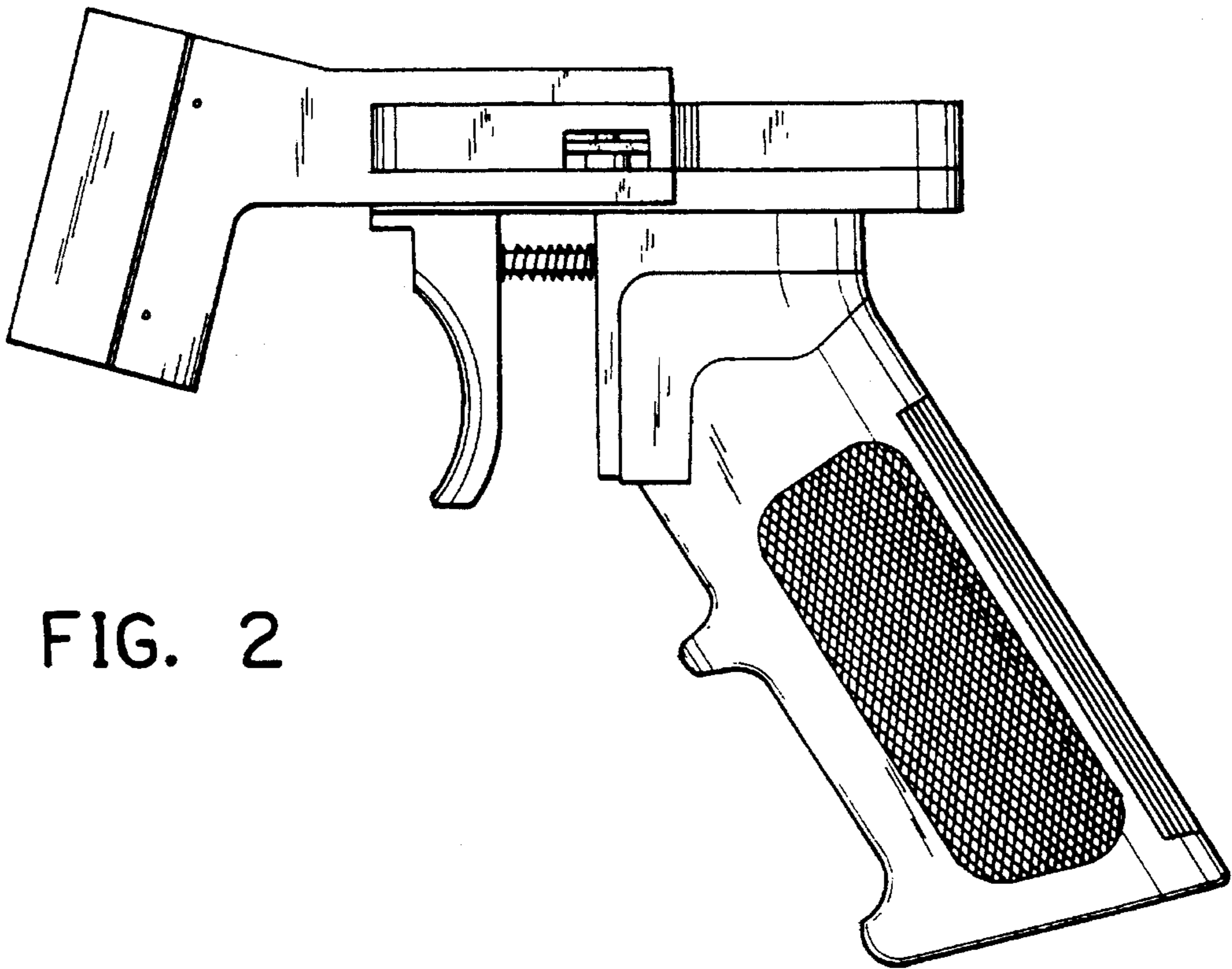


FIG. 2

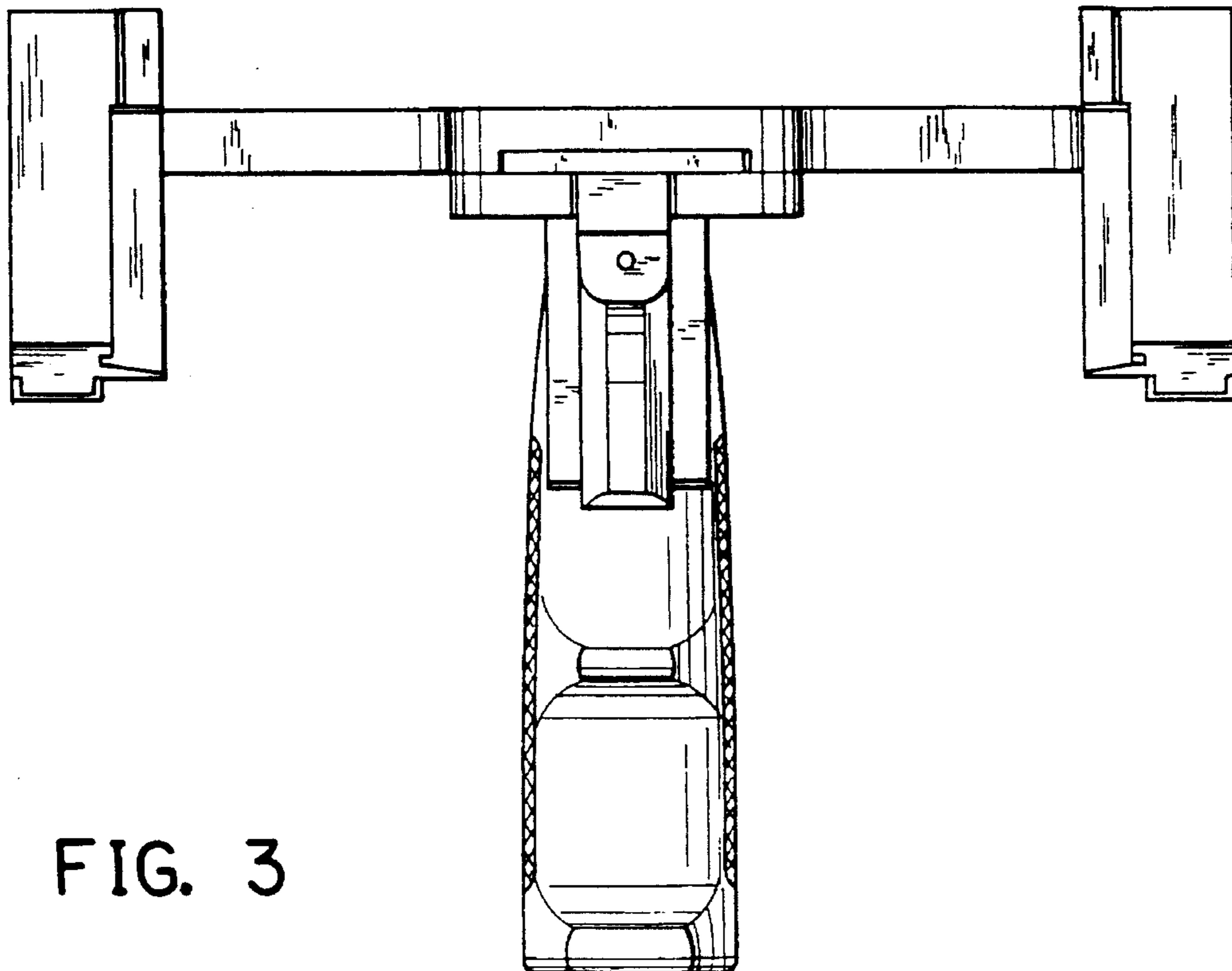


FIG. 3

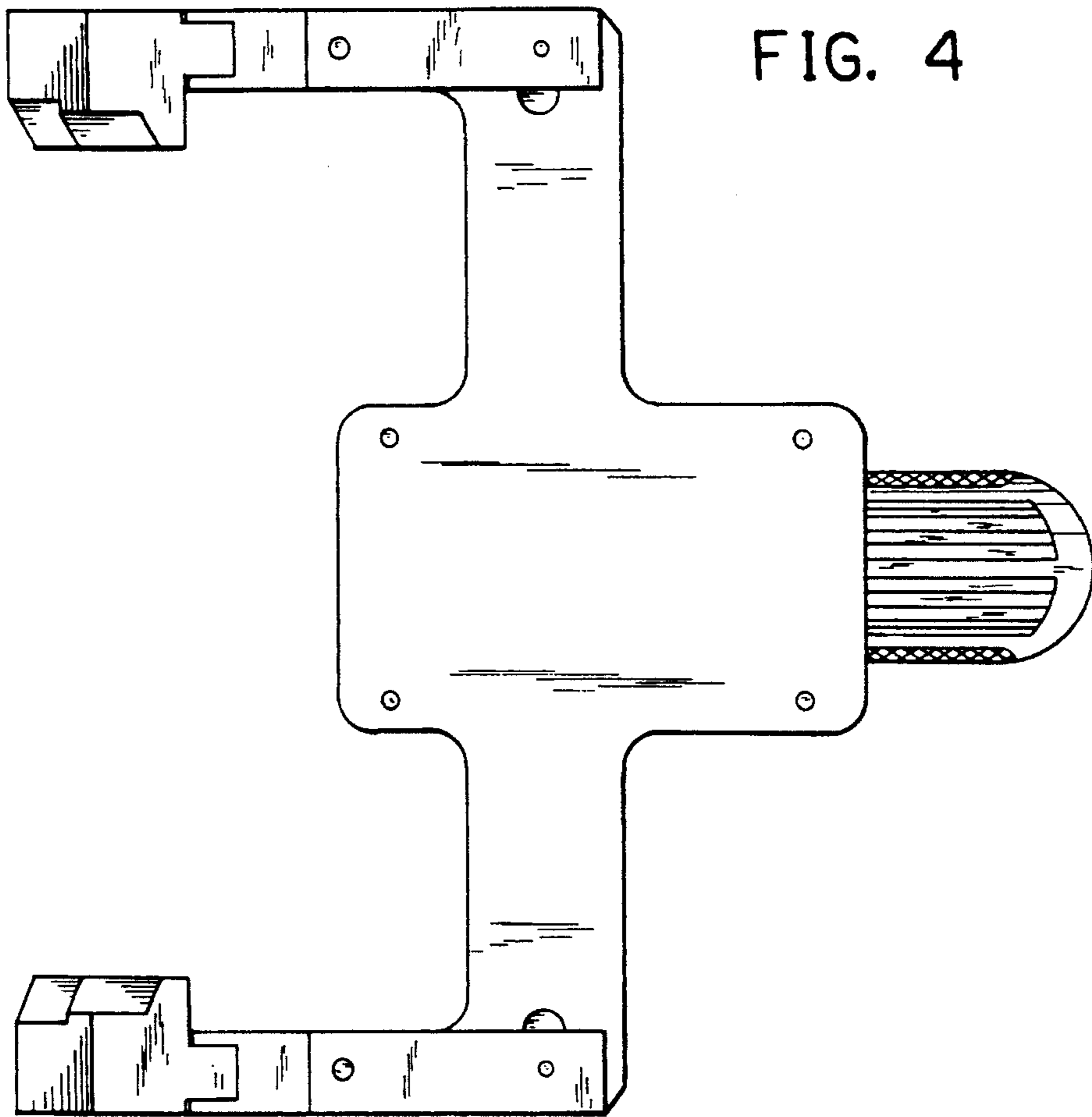


FIG. 4

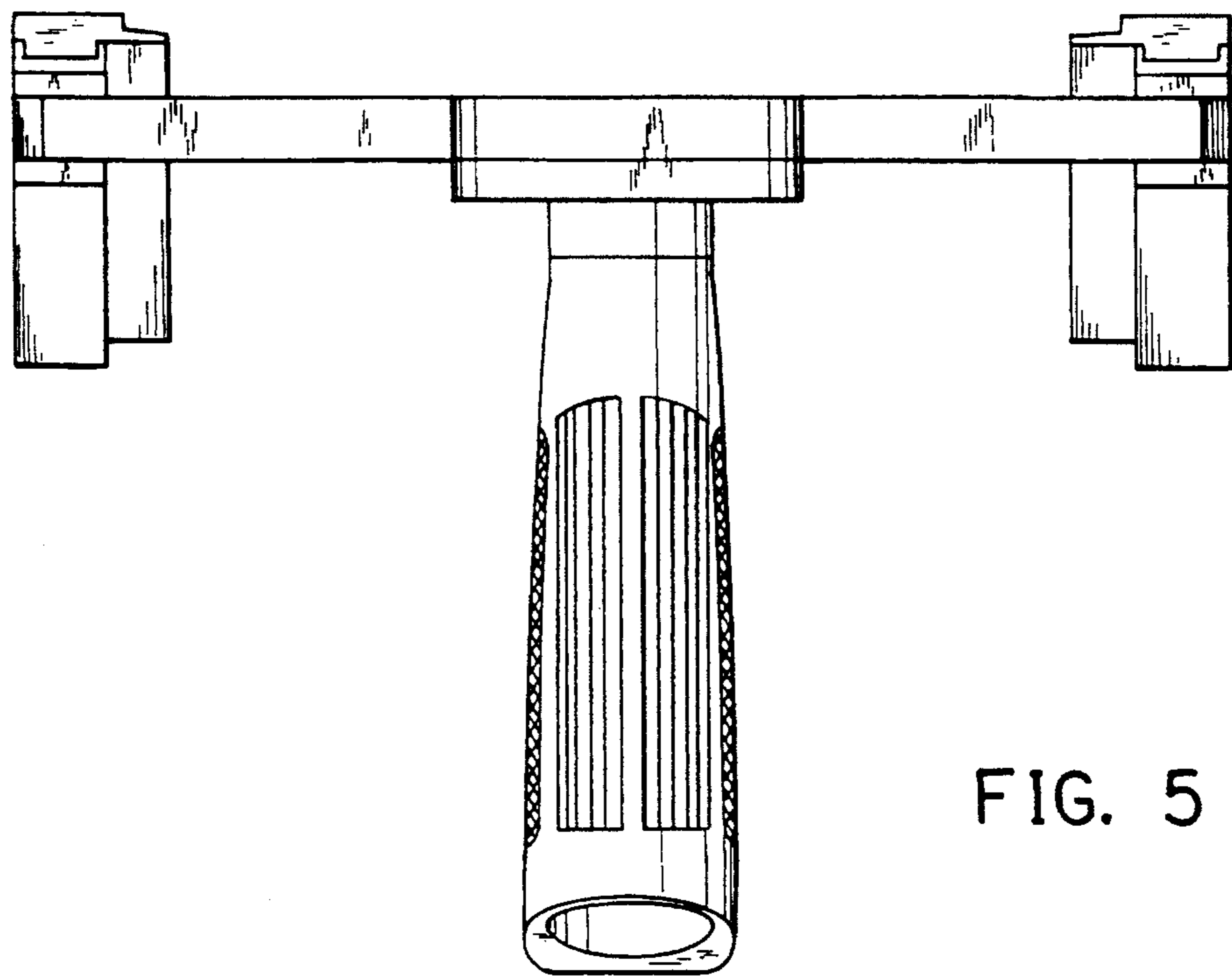


FIG. 5

FIG. 6

