



US00D372848S

# United States Patent [19]

Bechtel

[11] Patent Number: **Des. 372,848**

[45] Date of Patent: **\*\*Aug. 20, 1996**

[54] **WRENCH FOR INSTALLING AND REMOVING SHOTGUN CHOKES**

[76] Inventor: **Daniel L. Bechtel**, 4701 Inwood Rd., Ft. Worth, Tex. 76110

[\*\*] Term: **14 Years**

[21] Appl. No.: **767,087**

[22] Filed: **Sep. 27, 1991**

[52] U.S. Cl. .... **D8/21; D8/51**

[58] Field of Search ..... **D8/14, 21, 51; 42/79, 90; 81/125, 436, 176.1; 7/138**

[56] **References Cited**

**U.S. PATENT DOCUMENTS**

284,990	9/1958	Loveless .....	D8/51
4,087,997	5/1978	Steenhoek .....	D8/51
4,878,306	11/1989	Dyer .....	42/90
4,951,409	8/1990	Froid .....	42/90

4,959,917 10/1990 Mavrakis et al. .... 42/90

*Primary Examiner*—B. J. Bullock  
*Assistant Examiner*—Philip Hyder  
*Attorney, Agent, or Firm*—Charles W. McHugh

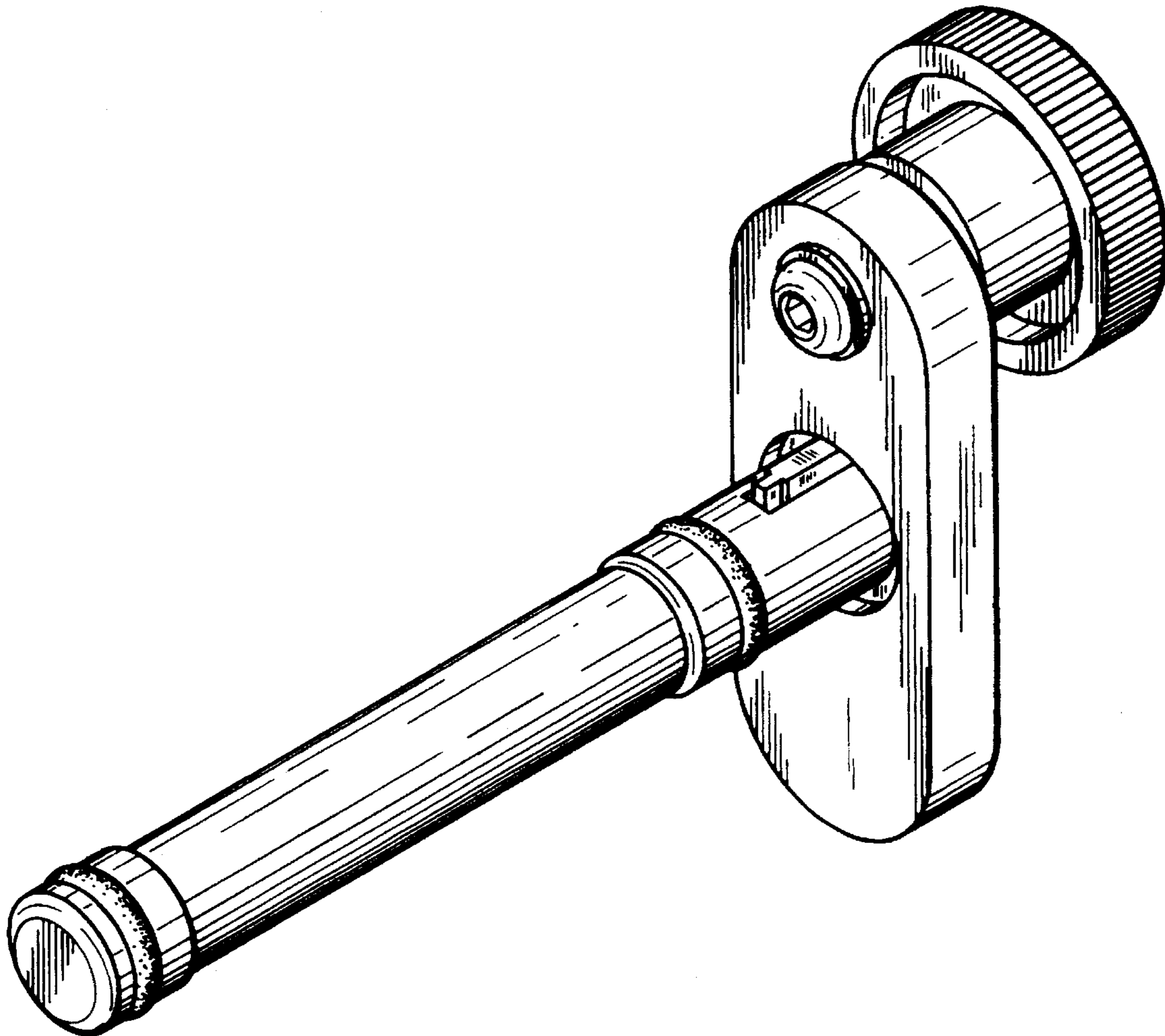
[57] **CLAIM**

The ornamental design for a wrench for installing and removing shotgun chokes, as shown and described.

**DESCRIPTION**

FIG. 1 is a top plan view of a wrench for installing and removing shotgun chokes showing my new design; FIG. 2 is a perspective view thereof; FIG. 3 is a left side elevational view thereof, which is a mirror image of the right side view; FIG. 4 is a front elevational view thereof; FIG. 5 is a rear elevational view thereof; and, FIG. 6 is a bottom plan view thereof.

**1 Claim, 1 Drawing Sheet**



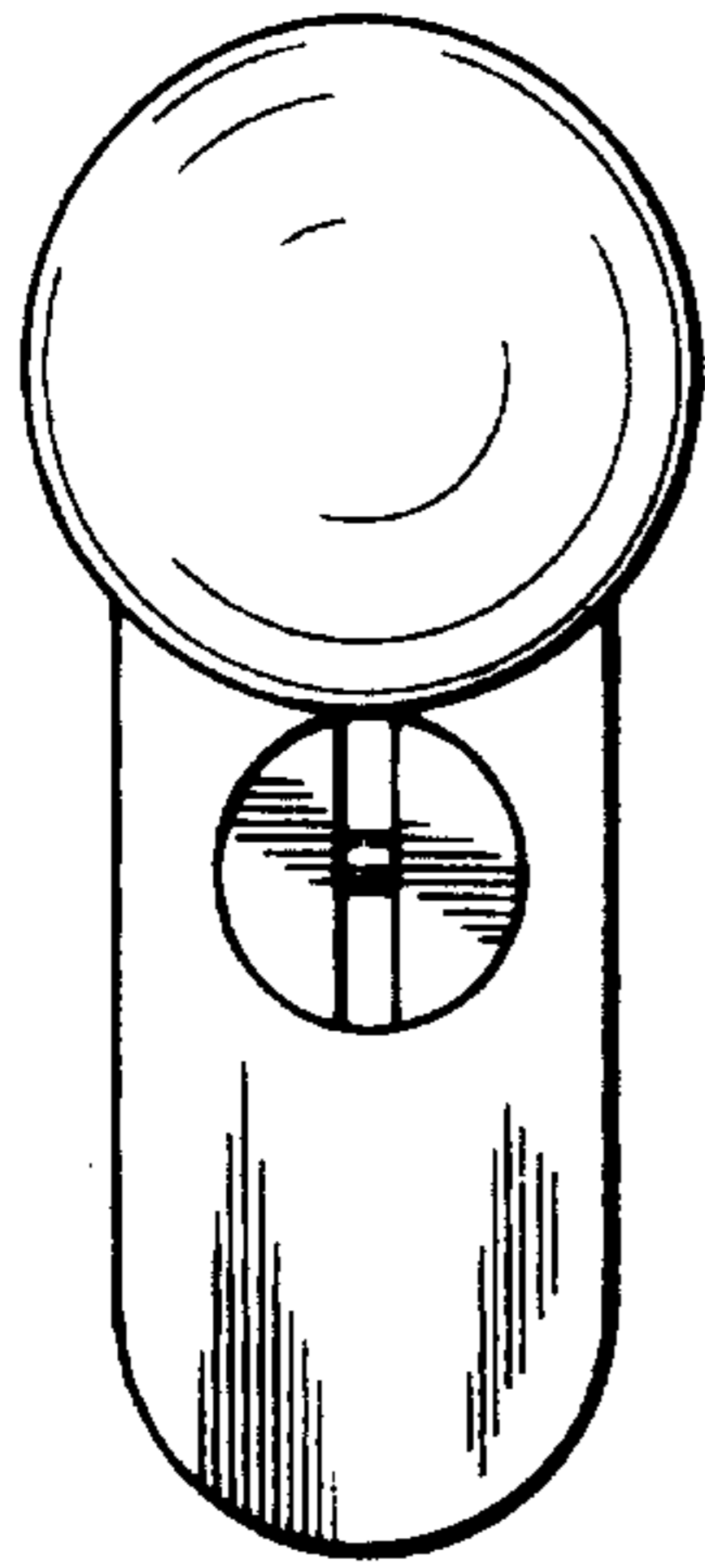


FIG. 1

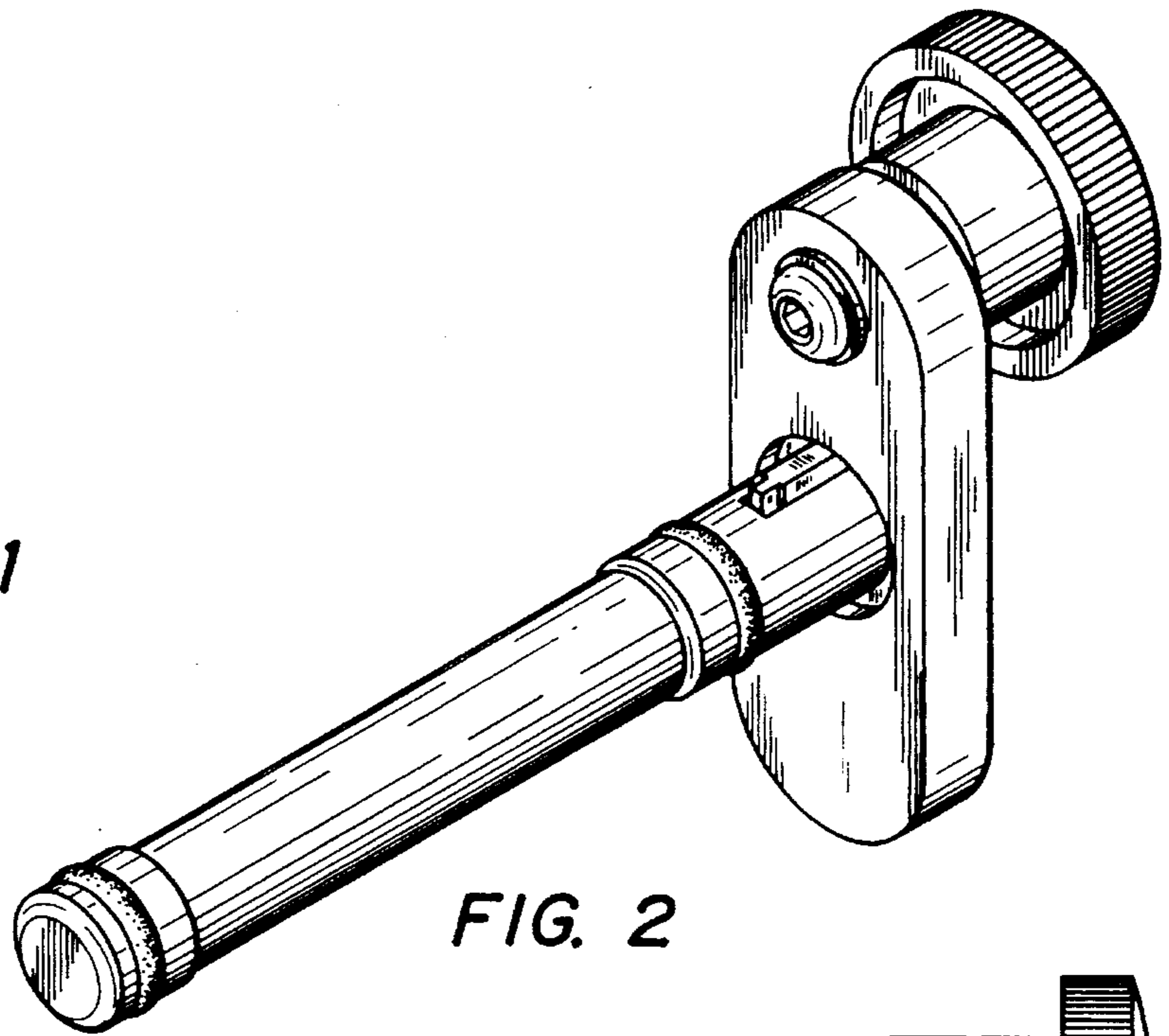


FIG. 2

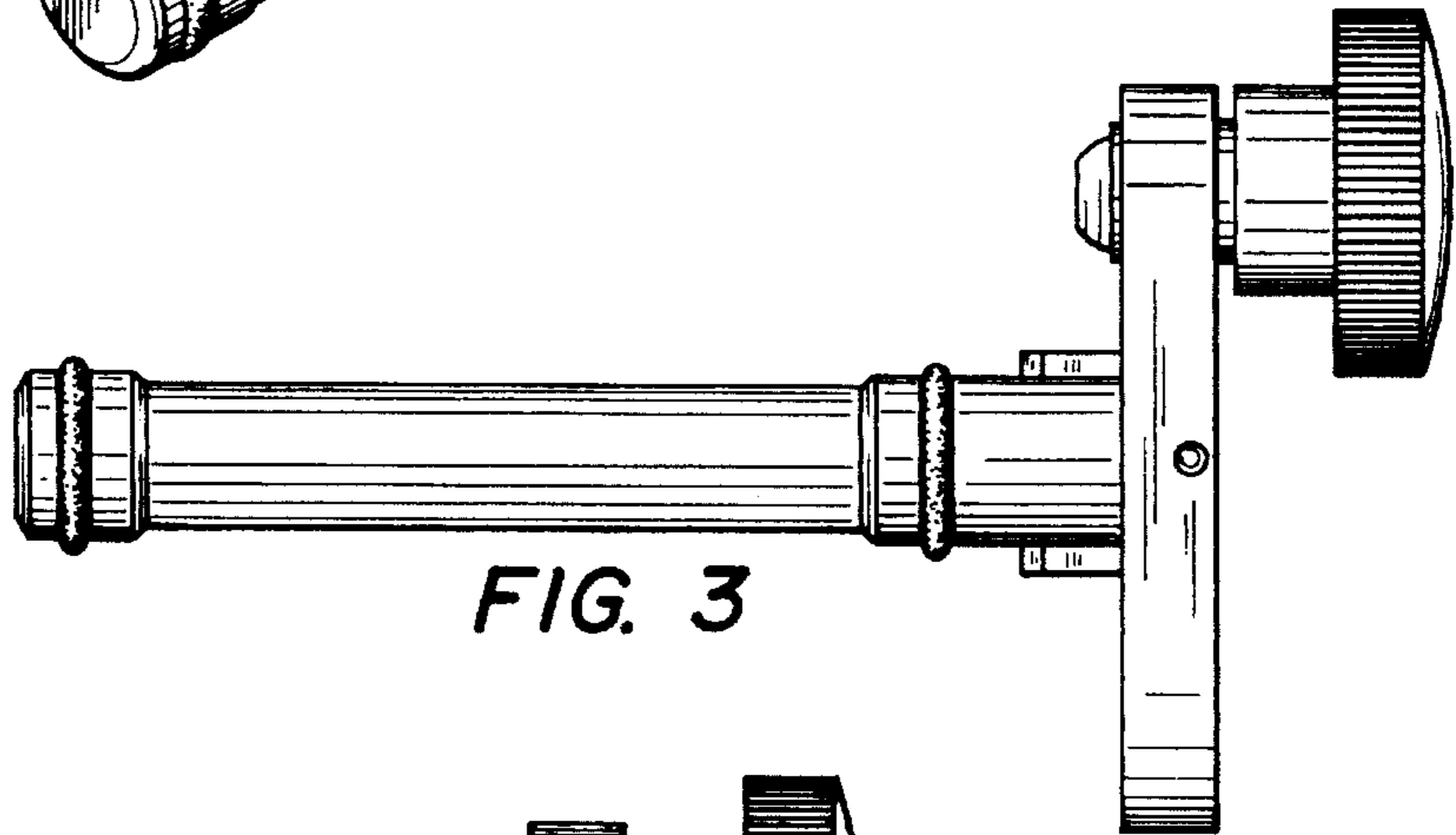


FIG. 3

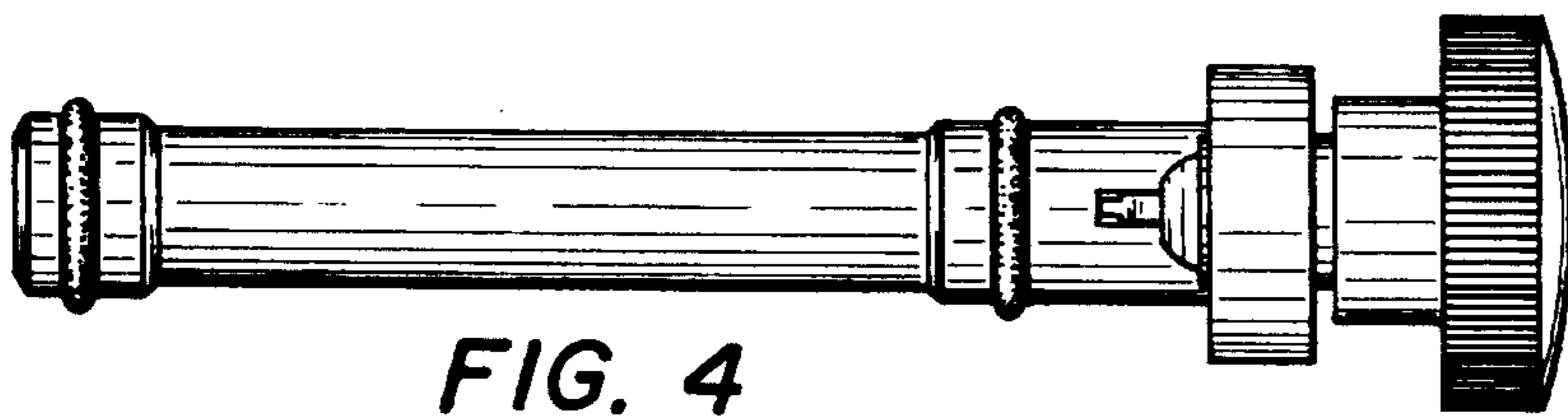


FIG. 4

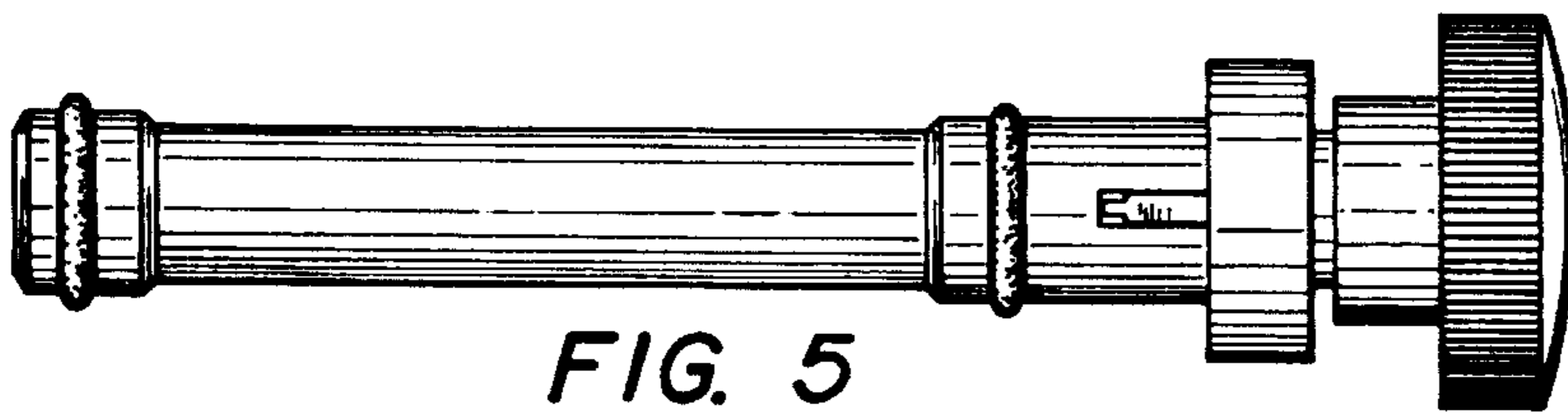


FIG. 5

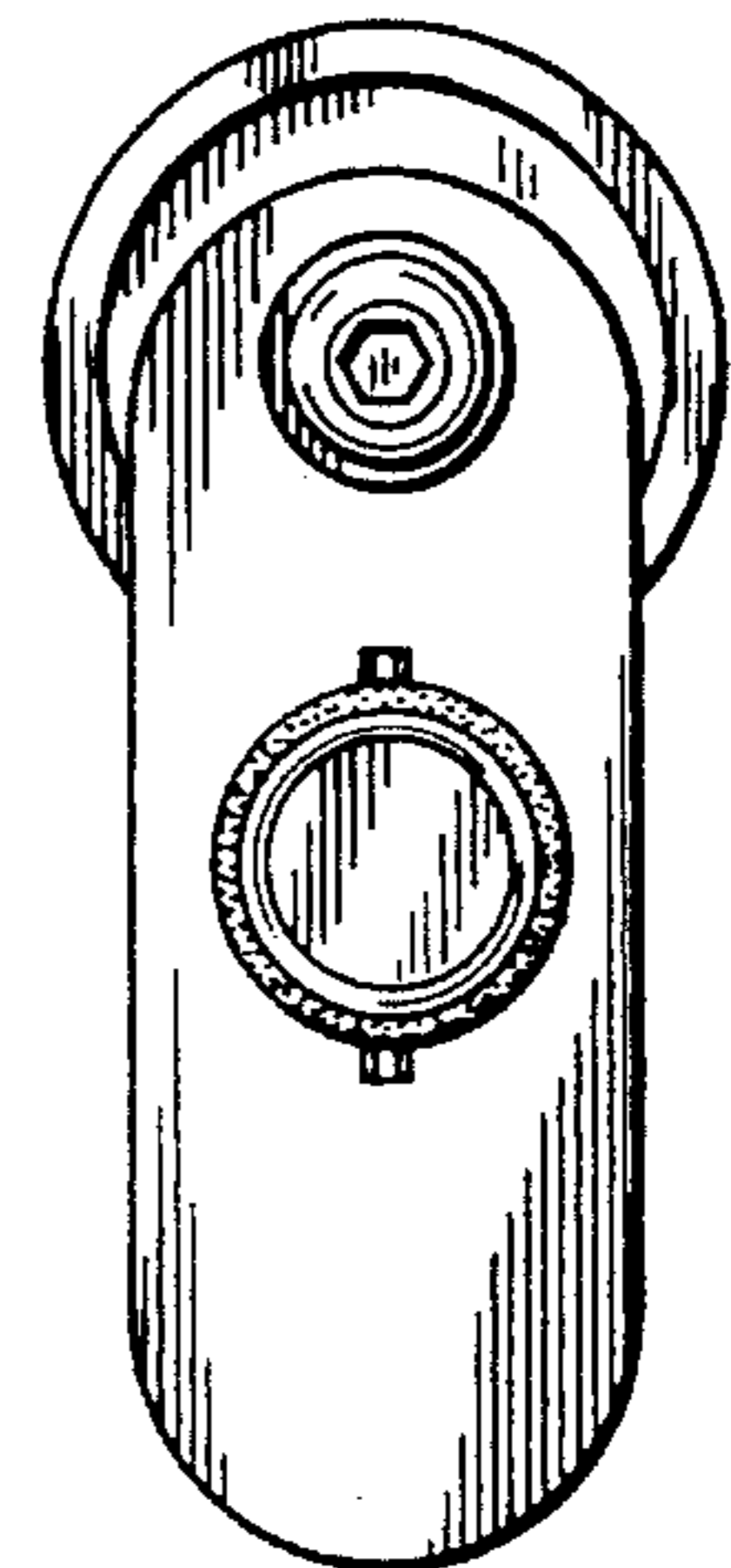


FIG. 6