



US00D372847S

United States Patent [19] Sparks

[11] Patent Number: **Des. 372,847**

[45] Date of Patent: ****Aug. 20, 1996**

[54] **COOKING RANGE MOUNTED SPICE RACK**

Granger

[75] Inventor: **Walton E. Sparks**, Dublin, Ohio

[57] **CLAIM**

[73] Assignee: **White Consolidated Industries, Inc.**,
Cleveland, Ohio

The ornamental design for a cooking range mounted spice rack, as shown and described.

[**] Term: **14 Years**

DESCRIPTION

[21] Appl. No.: **44,454**

FIG. 1 is a perspective view of a cooking range mounted spice rack showing my new design, the range shown in broken lines for illustrative purposes only and forming no part of the claimed design;

[22] Filed: **Sep. 25, 1995**

[52] U.S. Cl. **D7/701**; D6/574

[58] Field of Search D7/701, 704, 707,
D7/708, 601; D6/512, 552, 567, 574; 211/71,
74, 134, 153

FIG. 2 is a top, front, left side perspective view thereof;

FIG. 3 is a front elevation view thereof;

[56] **References Cited**

U.S. PATENT DOCUMENTS

- D. 146,279 1/1947 Goddard D6/574
- D. 160,367 10/1950 Busch D6/574 X
- D. 303,745 10/1989 Lowe et al. D6/574
- D. 323,766 2/1992 Robbins et al. D7/590

FIG. 4 is a right side elevation view thereof, the opposite side being a mirror image;

FIG. 5 is a top plan view thereof;

FIG. 6 is a rear elevation view thereof; and,

FIG. 7 is a bottom plan view thereof.

OTHER PUBLICATIONS

Lillian Vernon, p. 63, Shelf (f).

FIGS. 3, 5-7 are shown broken away in the middle for ease of illustration.

Primary Examiner—Terry A. Wallace

Attorney, Agent, or Firm—Pearne, Gordon, McCoy &

1 Claim, 4 Drawing Sheets

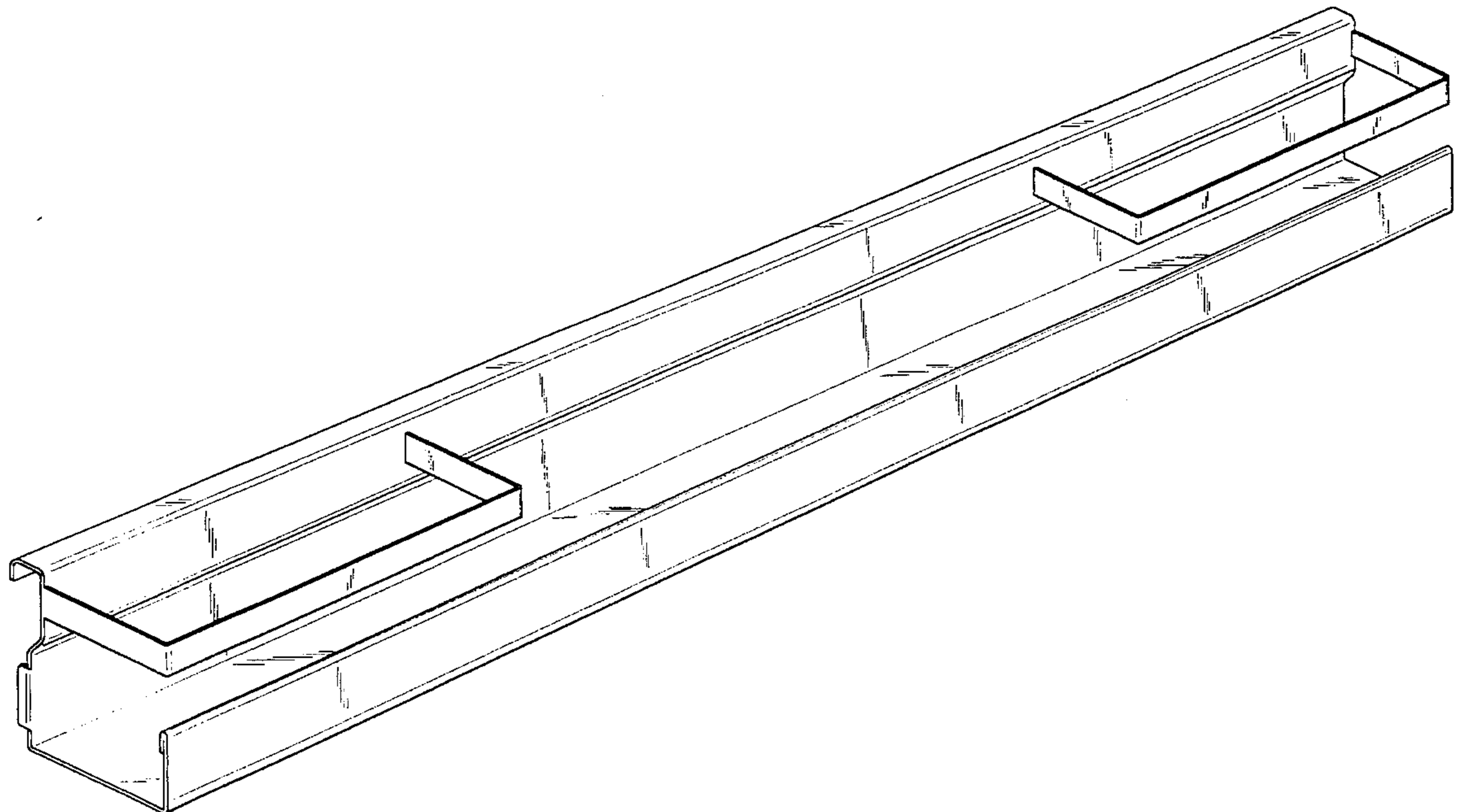
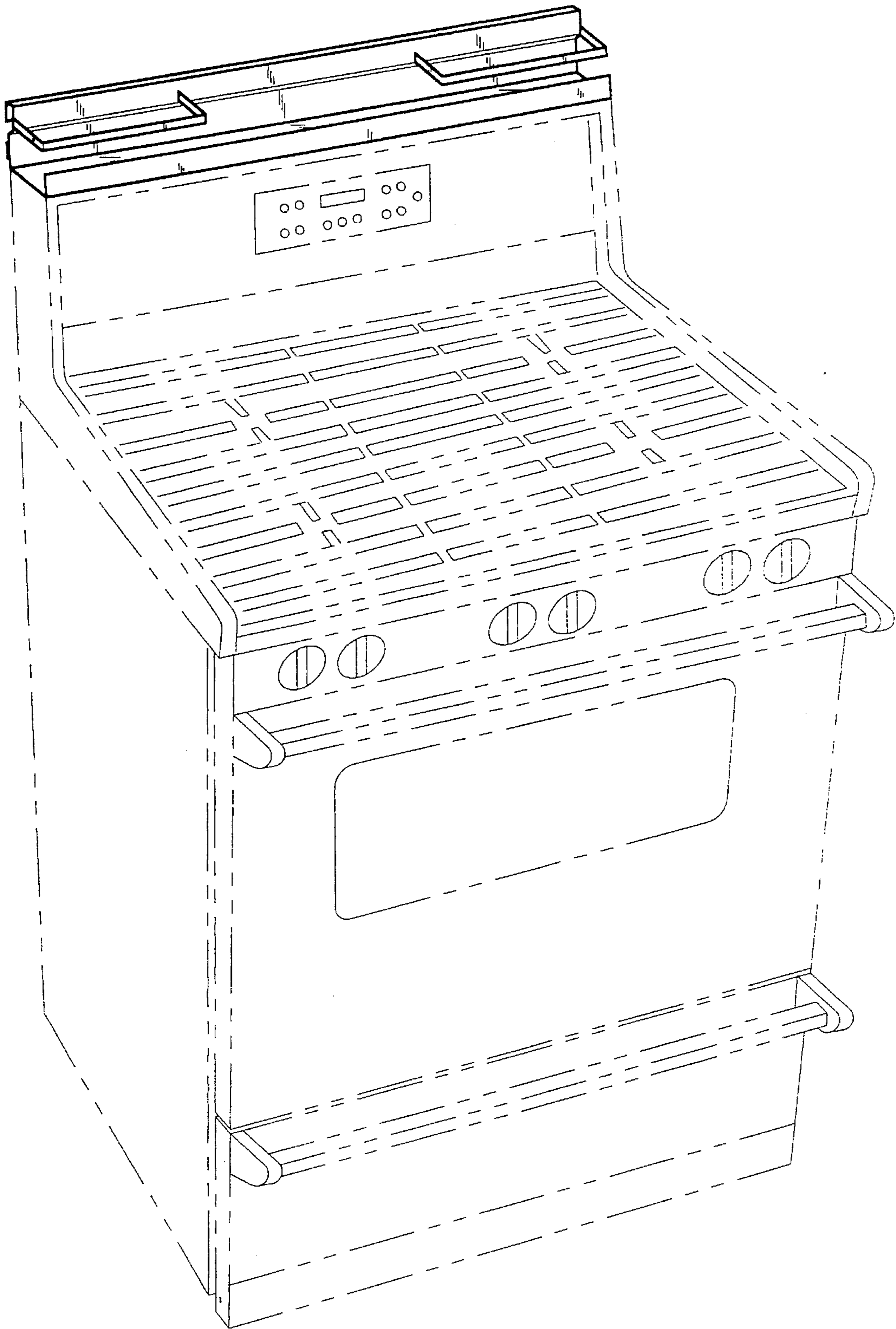


Fig. 1



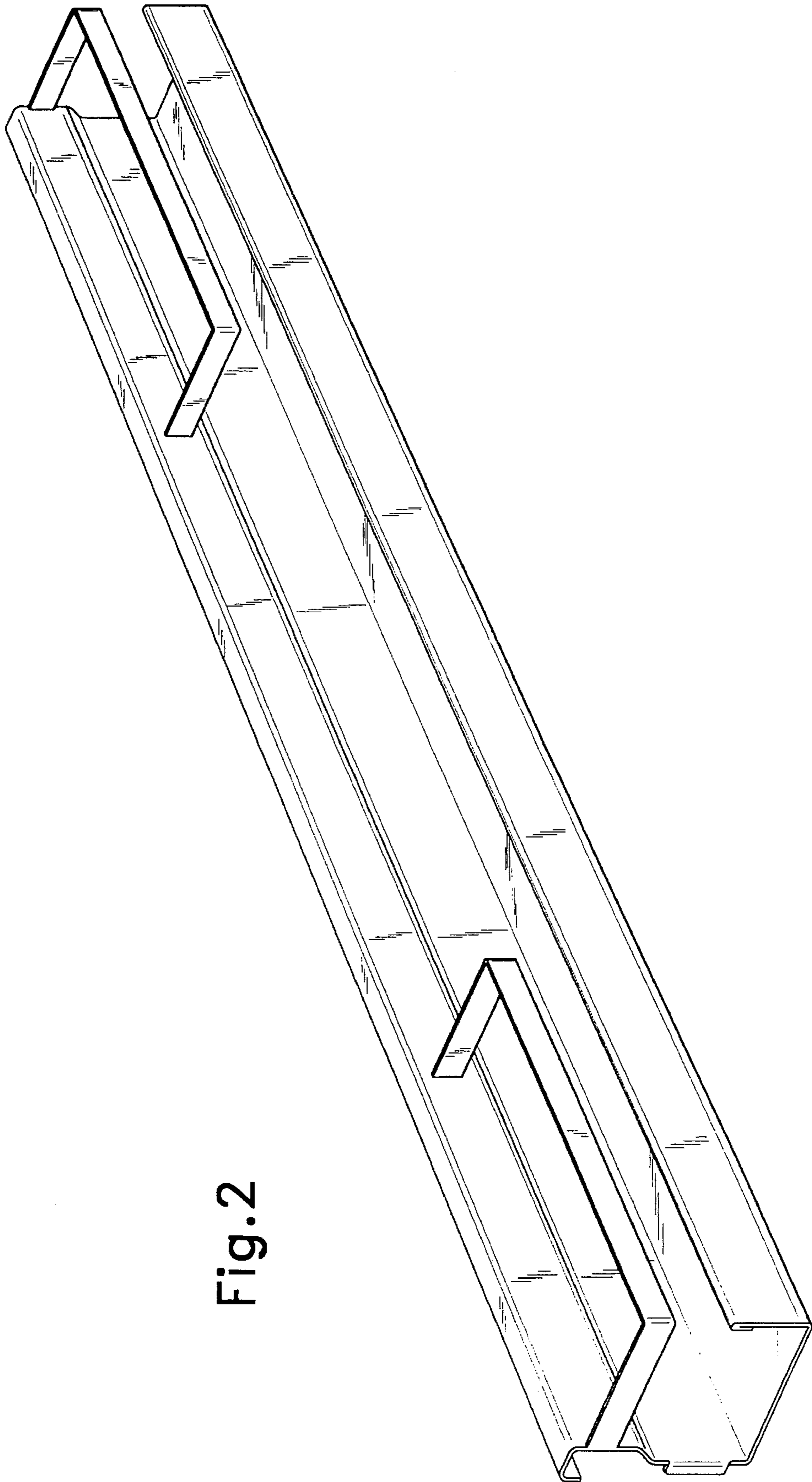


Fig. 2

Fig. 5

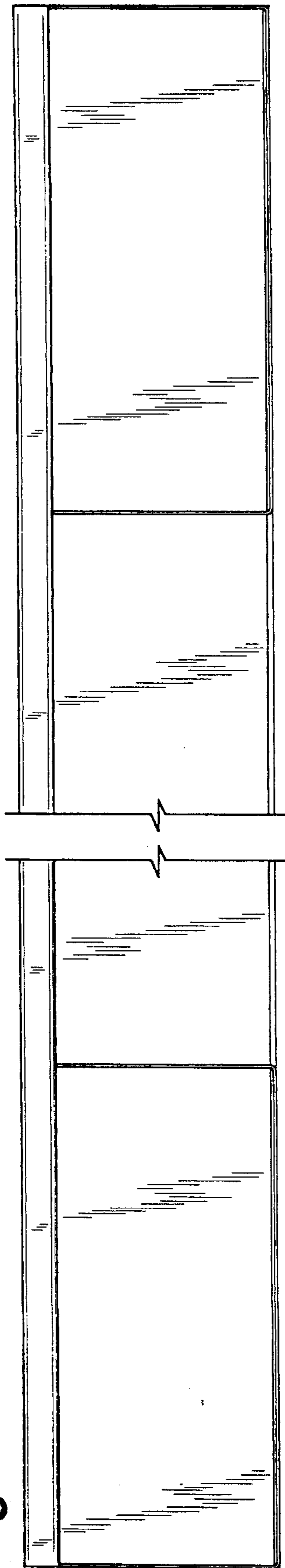


Fig. 3

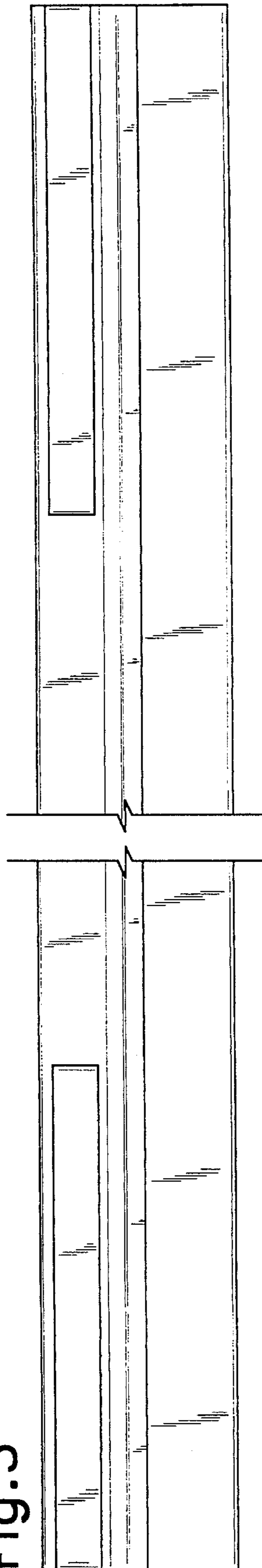


Fig. 4

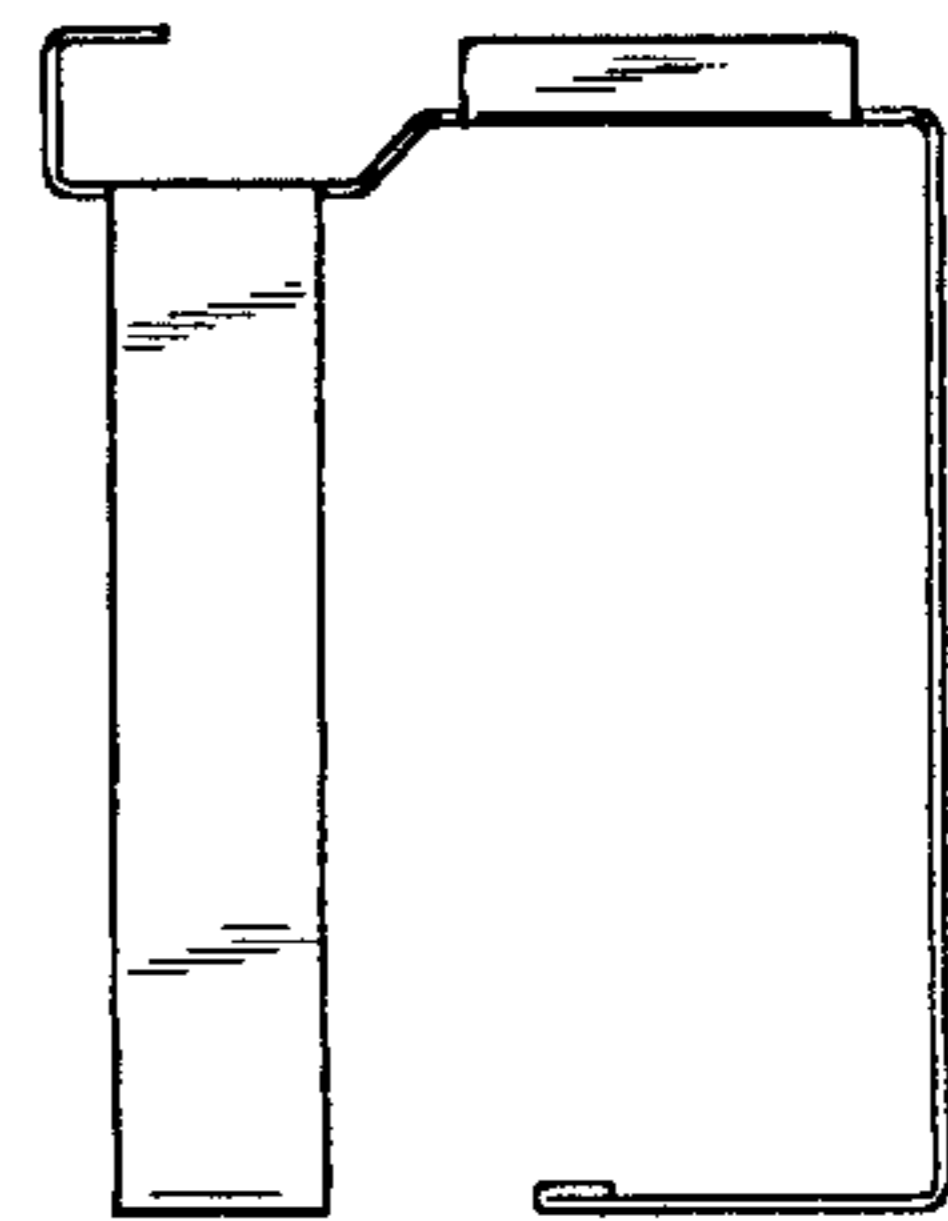


Fig. 6

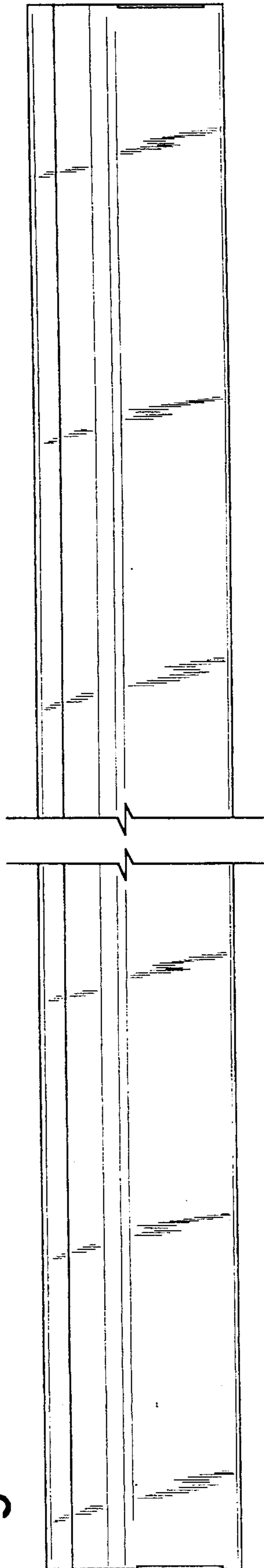


Fig. 7

