



US00D372846S

United States Patent [19]

[11] Patent Number: Des. 372,846

Fortney

[45] Date of Patent: **Aug. 20, 1996

[54] COMBINED BREAD HOLDER AND SLICING GUIDE

[76] Inventor: **Roger D. Fortney**, 6421 Keelson Dr., Madison, Wis. 53705

[**] Term: **14 Years**

[21] Appl. No.: **39,329**

[22] Filed: **May 24, 1995**

Related U.S. Application Data

[63] Continuation-in-part of Ser. No. 373,618, Jan. 17, 1995.

[52] U.S. Cl. **D7/673**

[58] Field of Search D7/673; 83/762, 83/763, 167

[56] References Cited

U.S. PATENT DOCUMENTS

D. 135,413	4/1943	De Long	D7/673
1,334,696	3/1920	Garlock	83/762
1,867,993	7/1932	Tuttle	D7/673 X
2,362,737	11/1944	Wood	83/762

OTHER PUBLICATIONS

Signatures Advertising, bread slicer guide.

Primary Examiner—Terry A. Wallace

Attorney, Agent, or Firm—DeWitt Ross & Stevens SC

[57] CLAIM

The ornamental design for a combined bread holder and slicing guide, as shown and described.

DESCRIPTION

FIG. 1 is a perspective view of a combined bread holder and slicing guide showing my new design;

FIG. 2 is a top plan view thereof;

FIG. 3 is a bottom plan view thereof;

FIG. 4 is a right side elevational view thereof;

FIG. 5 is a left side elevational view thereof;

FIG. 6 is a front elevational view thereof, the rear elevational view being identical;

FIG. 7 is a perspective view thereof with the slicing guides shown in an alternate position tilted inward;

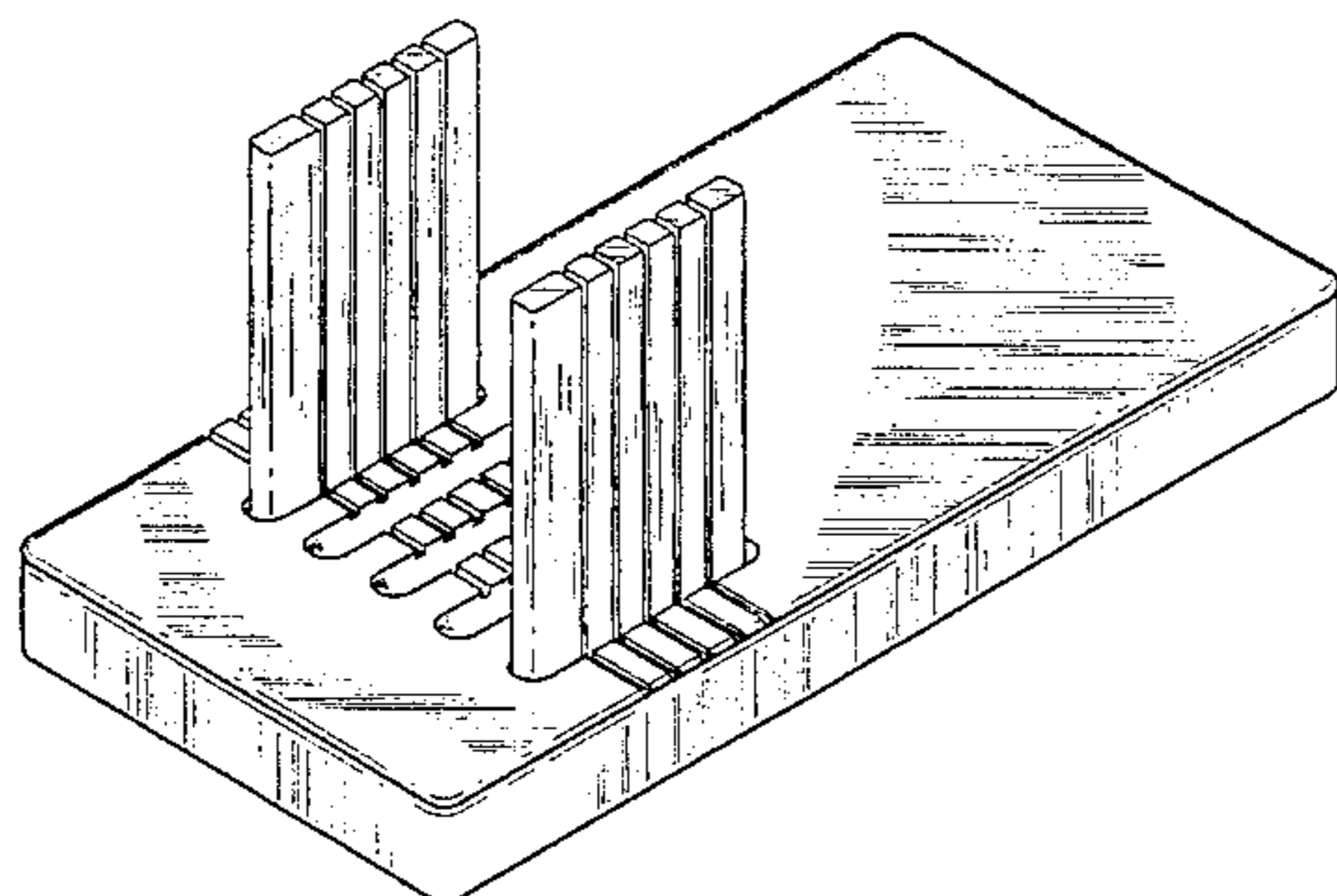
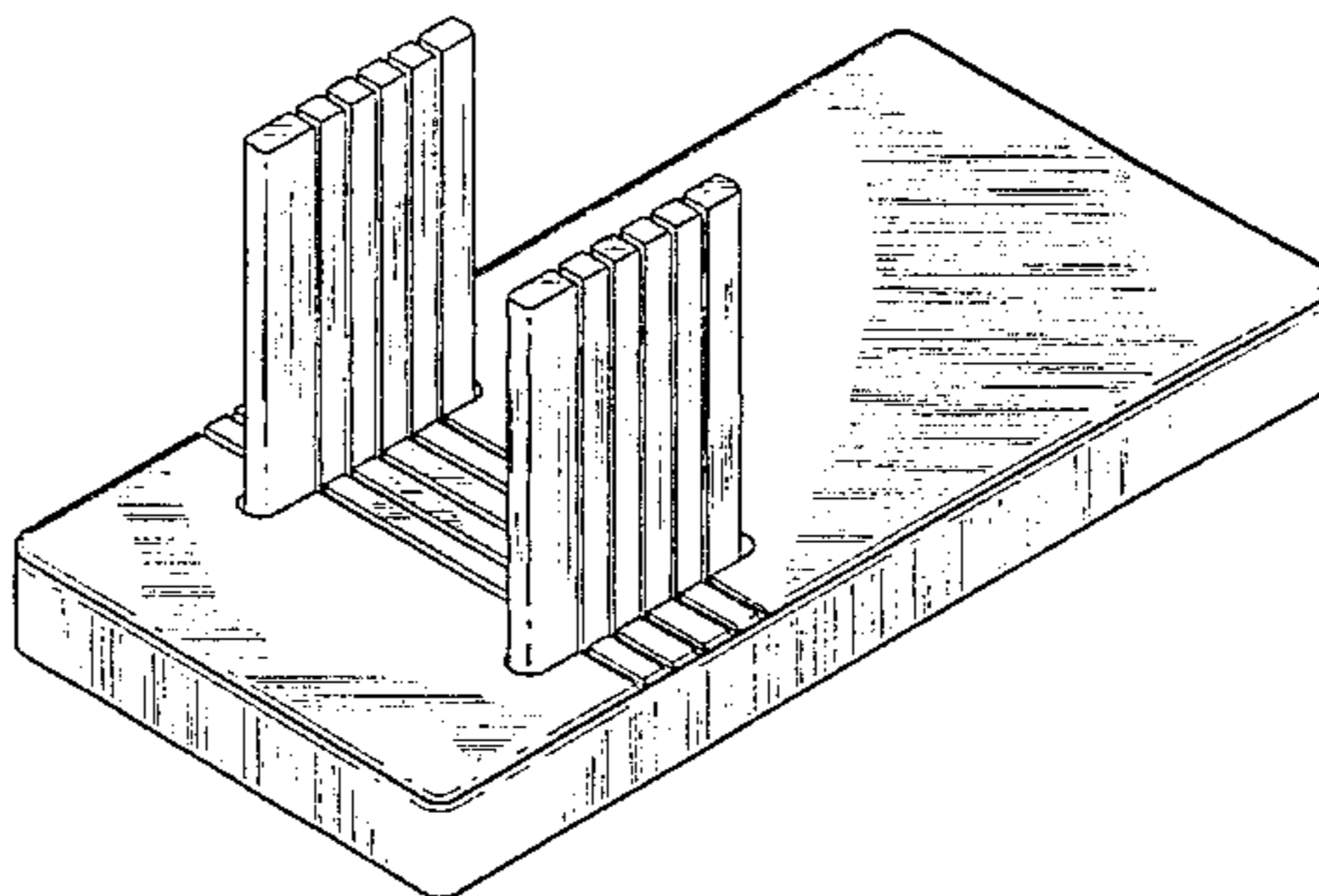
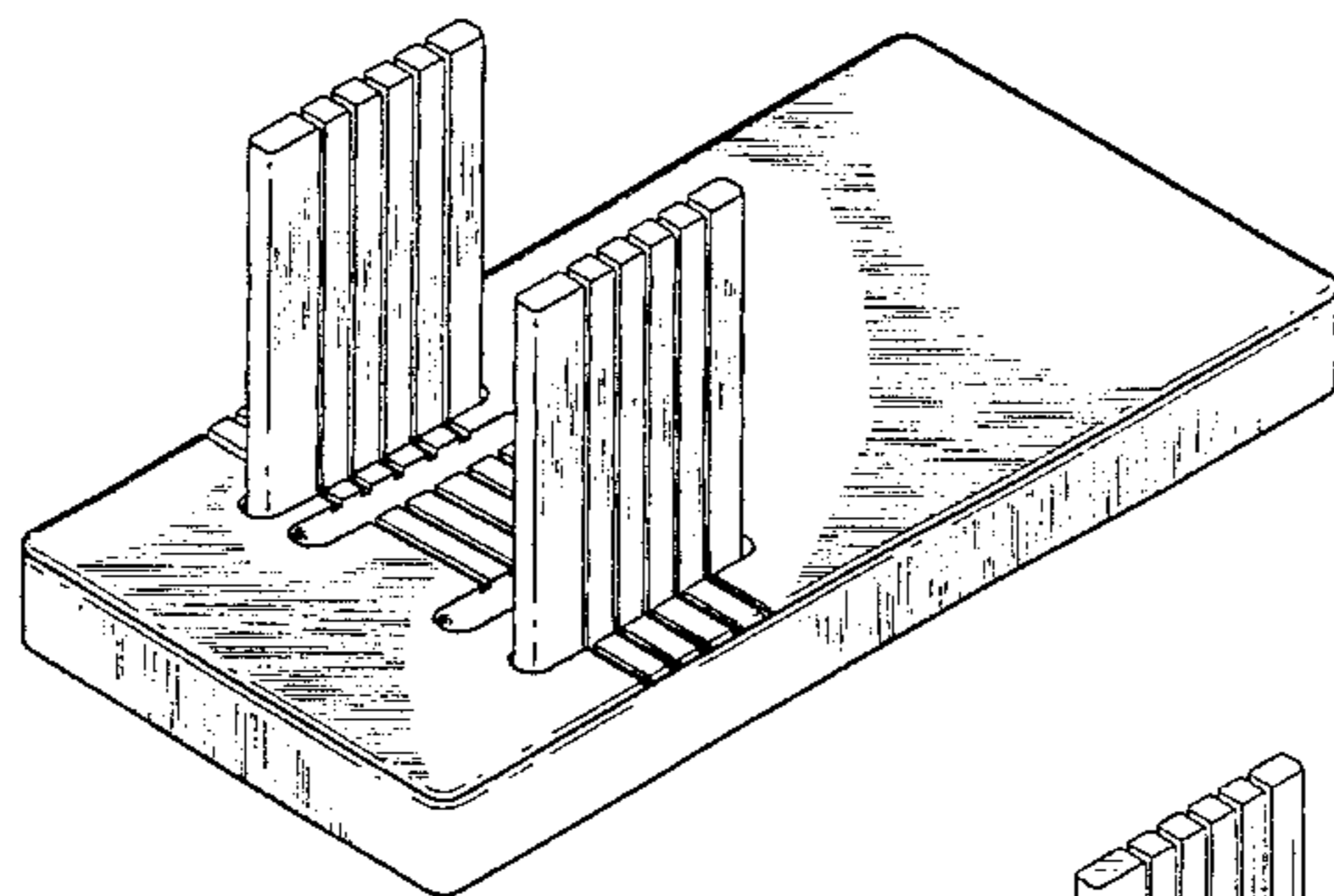
FIG. 8 is a perspective view thereof with the slicing guides shown in an alternate position;

FIG. 9 is a perspective view of an alternate embodiment of FIG. 1; and

FIG. 10 is a perspective view of an alternate embodiment of FIG. 1.

The difference between the embodiments being the grooves for placement of the slicing guides.

1 Claim, 9 Drawing Sheets



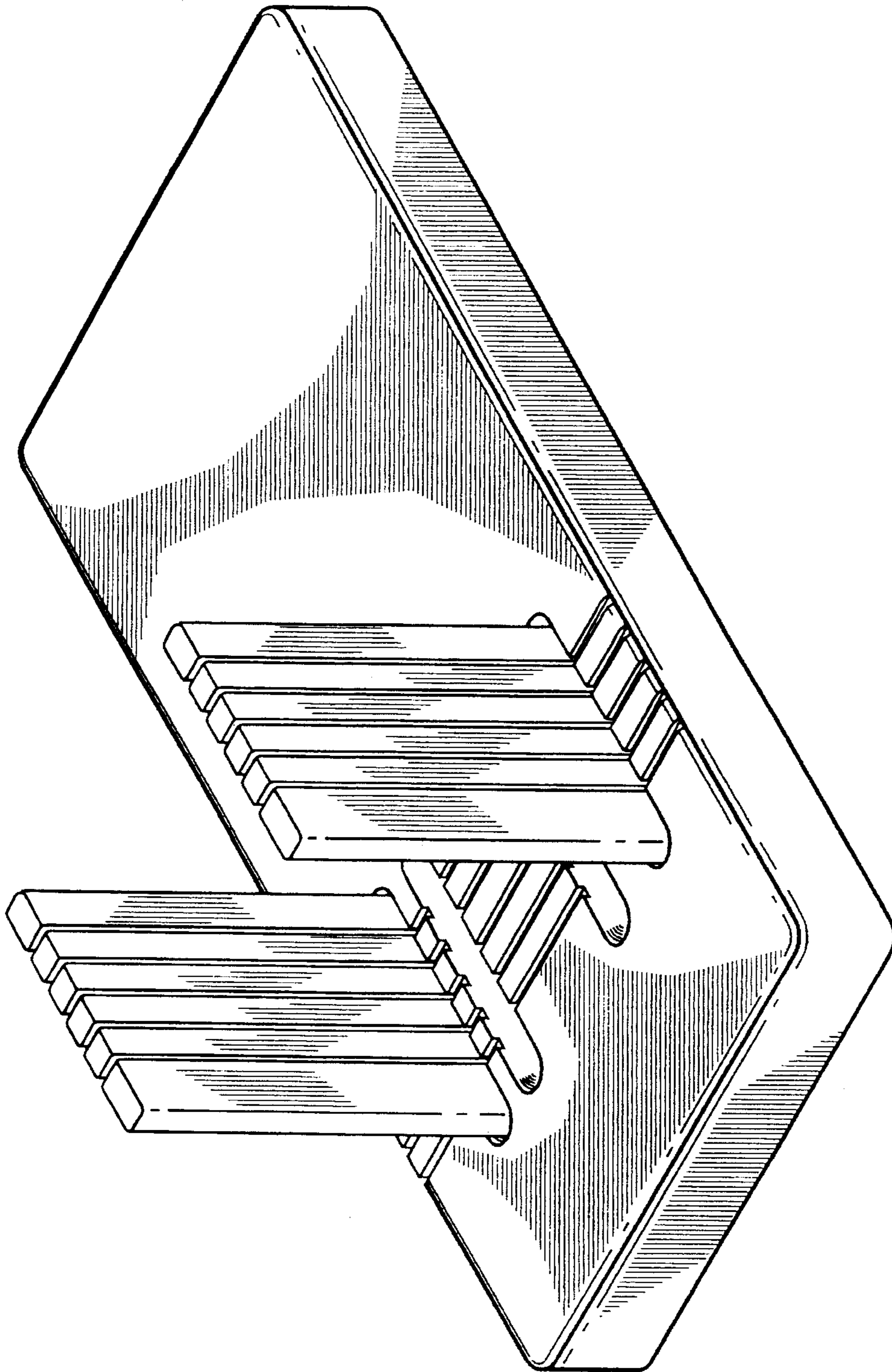


FIG. 1

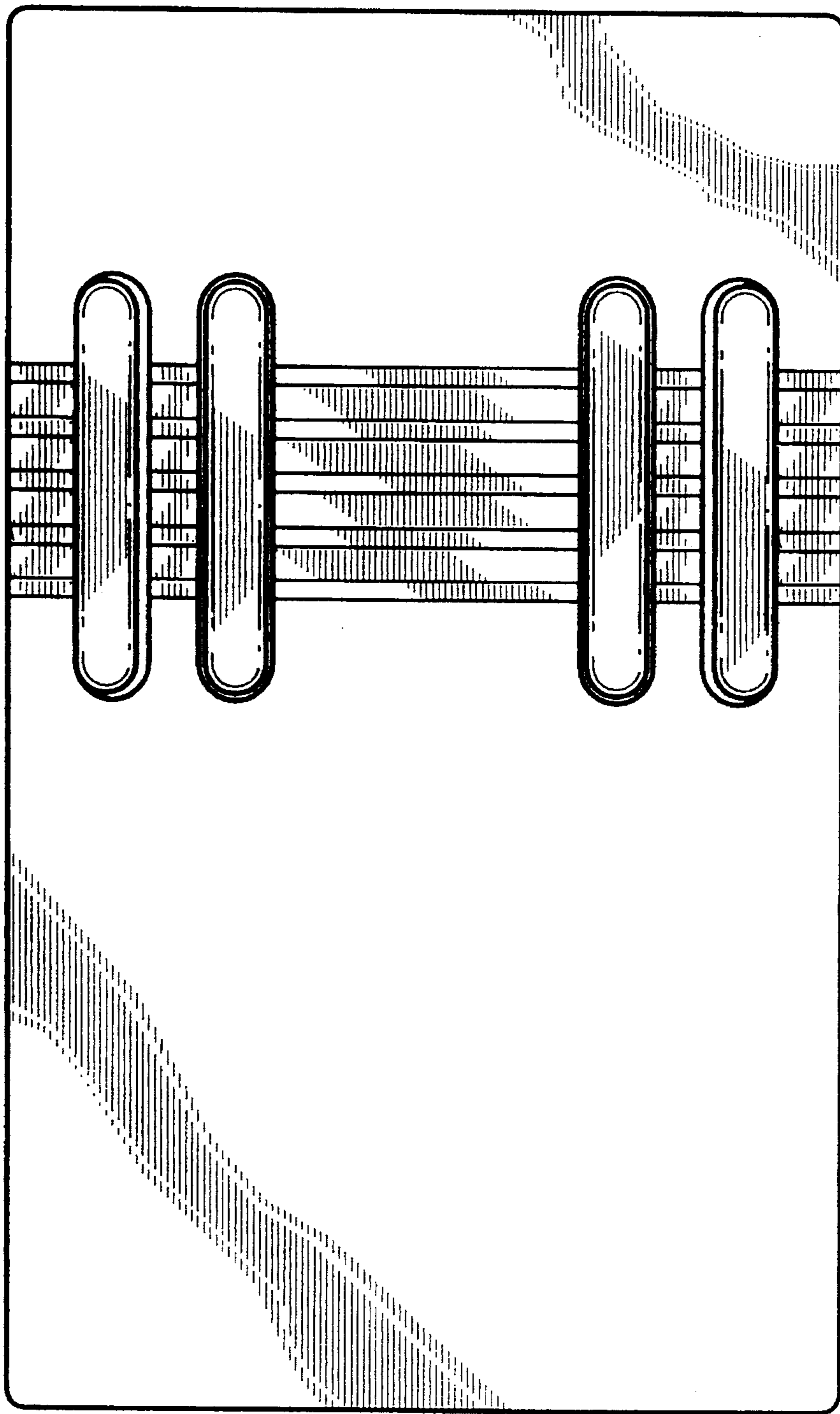


FIG. 2

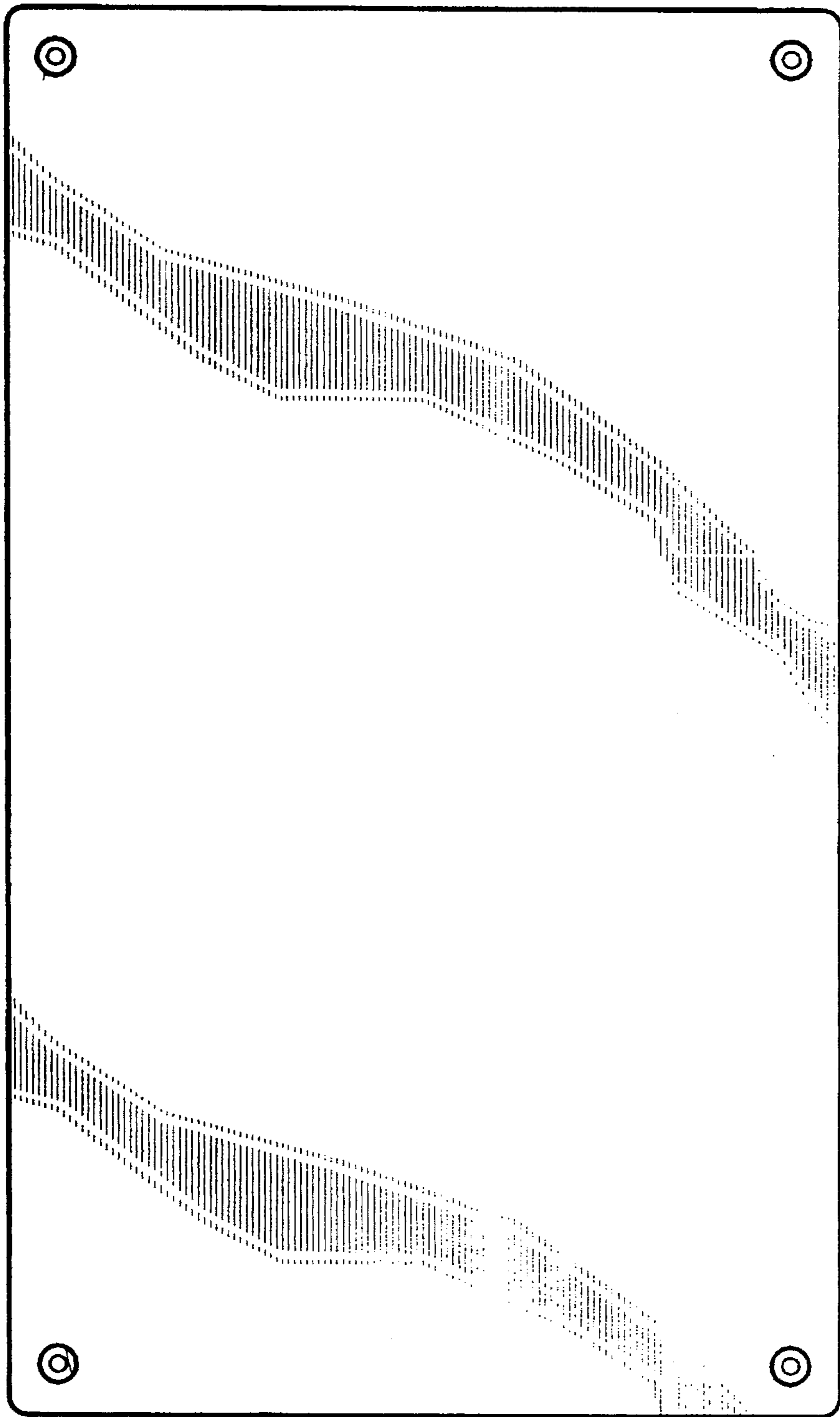


FIG. 3

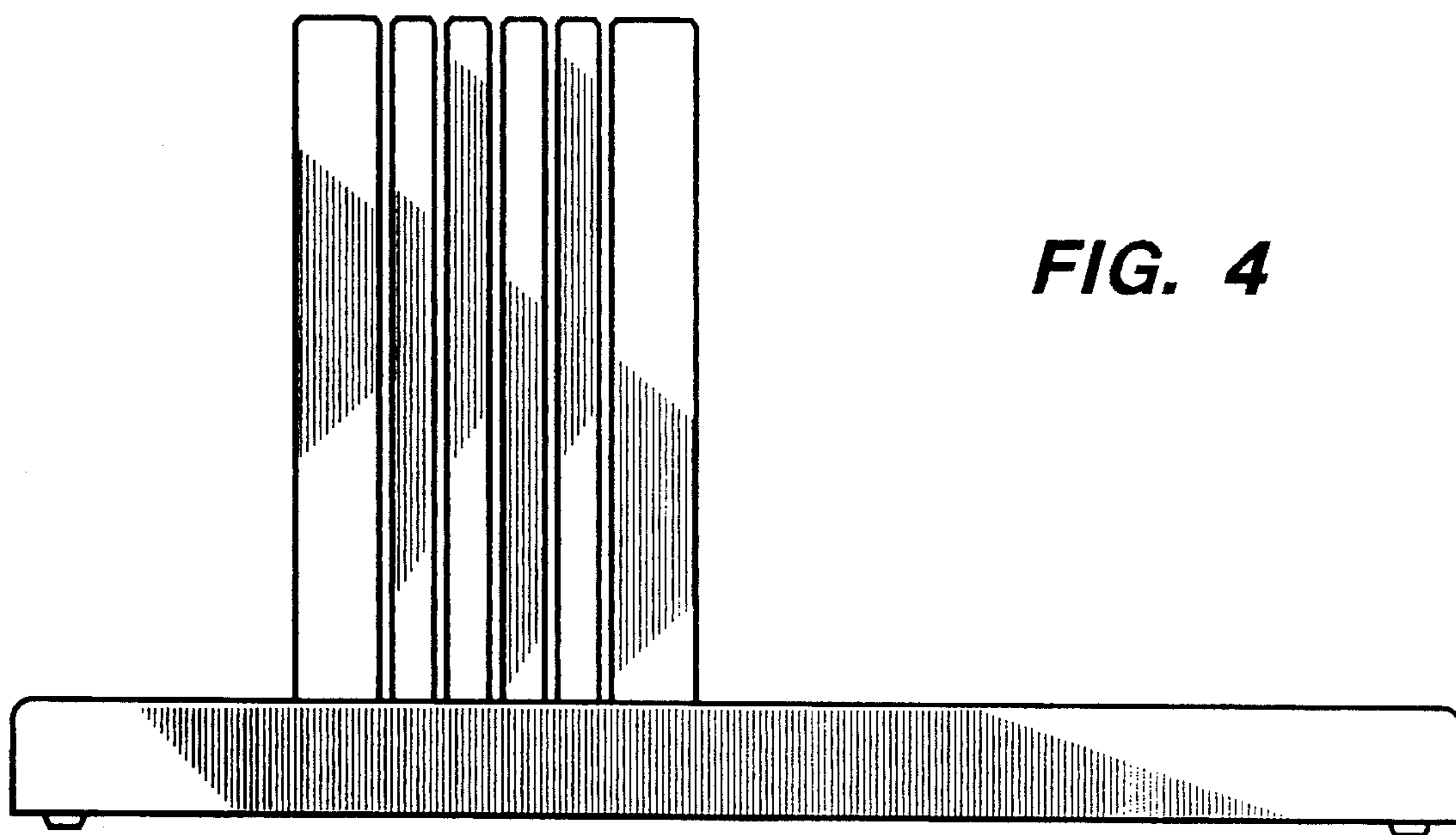


FIG. 4

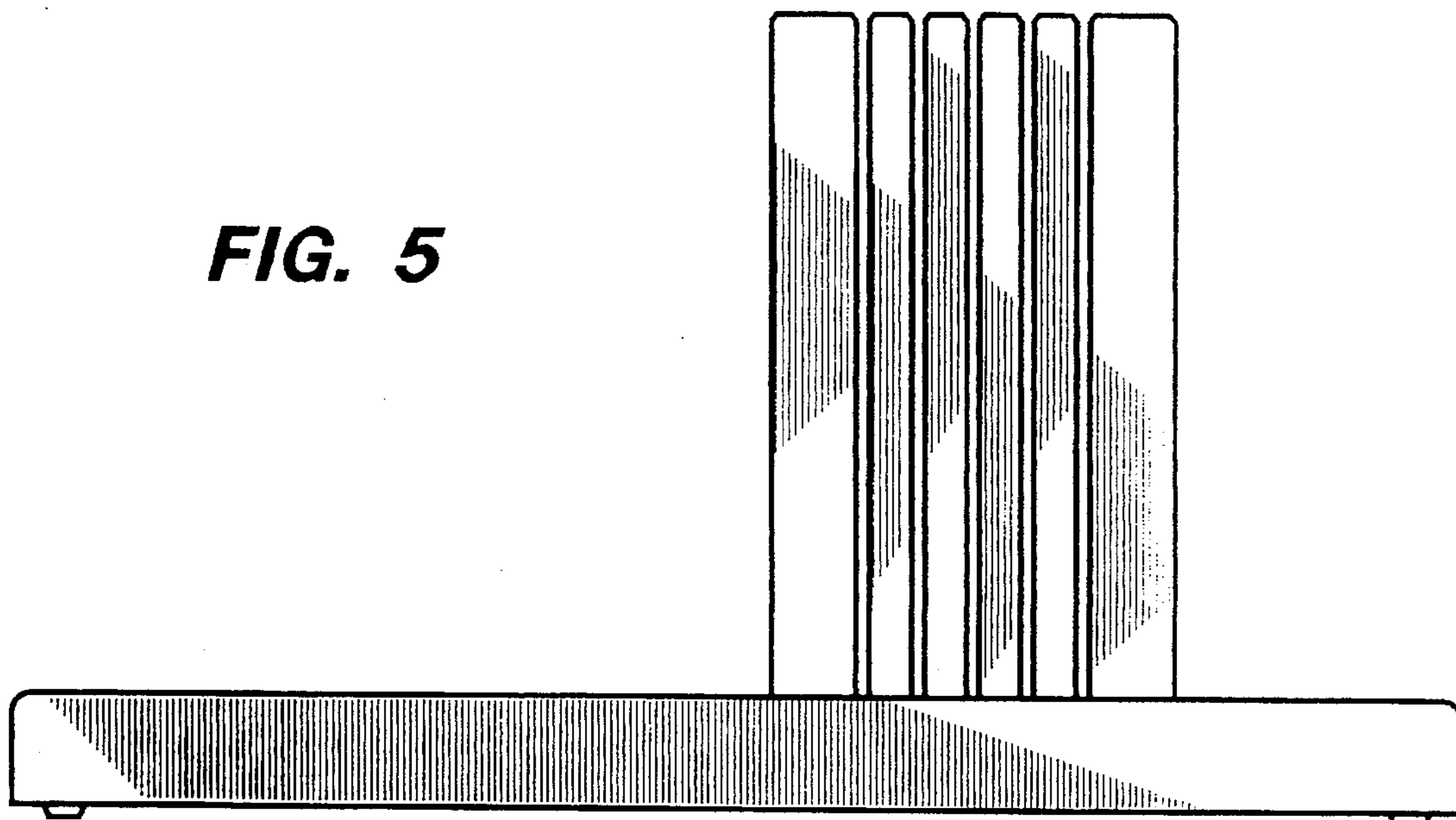


FIG. 5

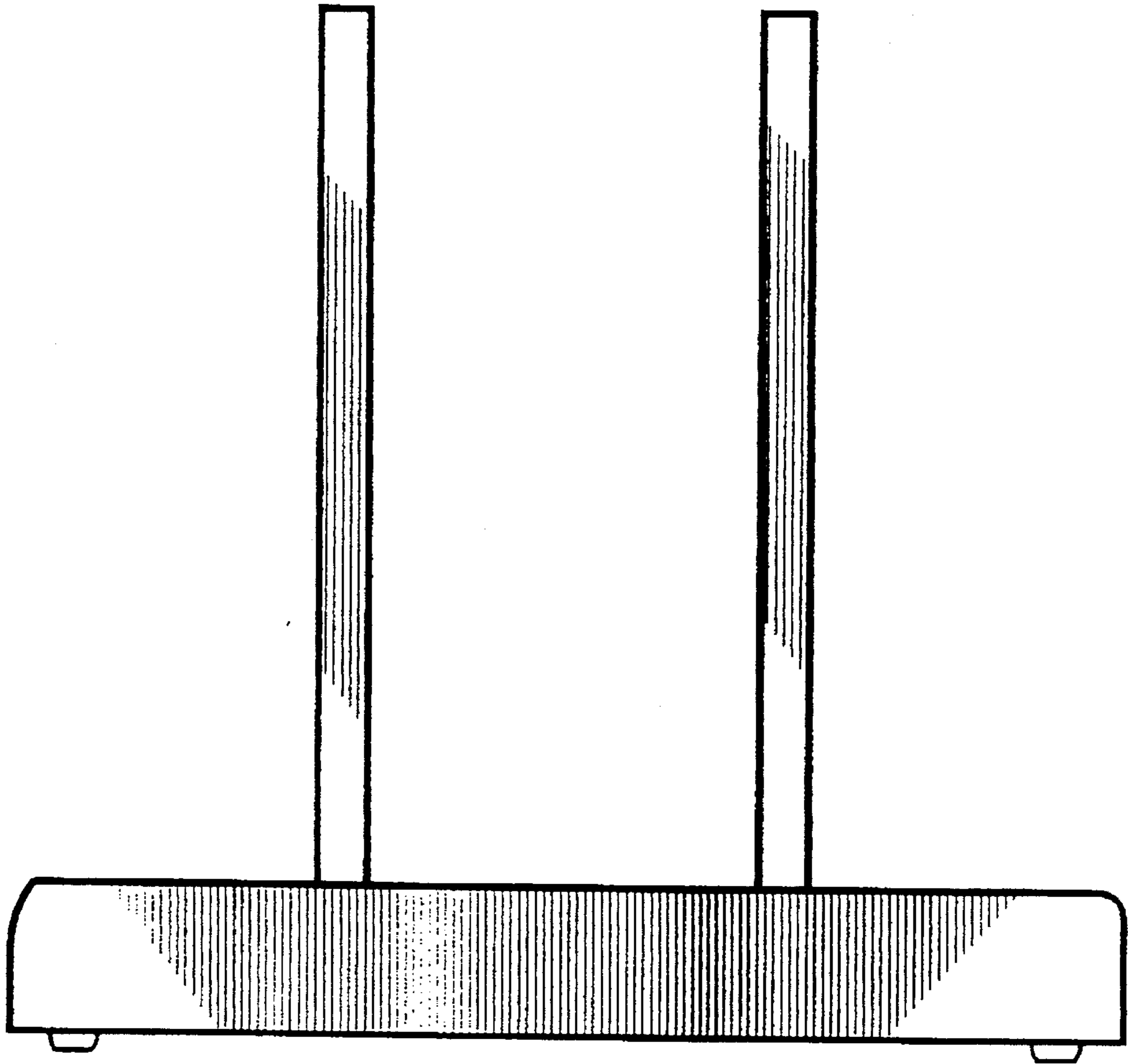


FIG. 6

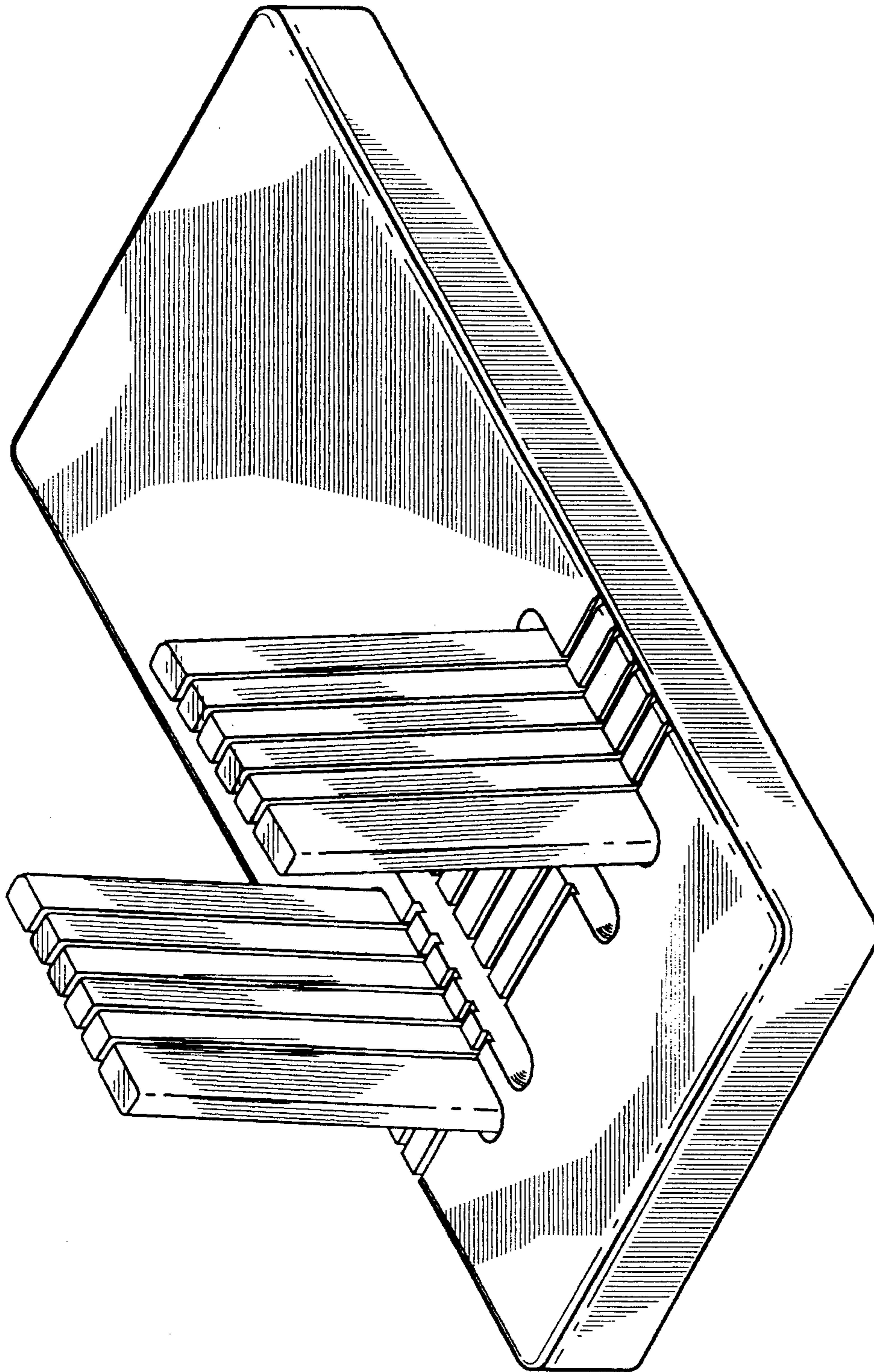


FIG. 7

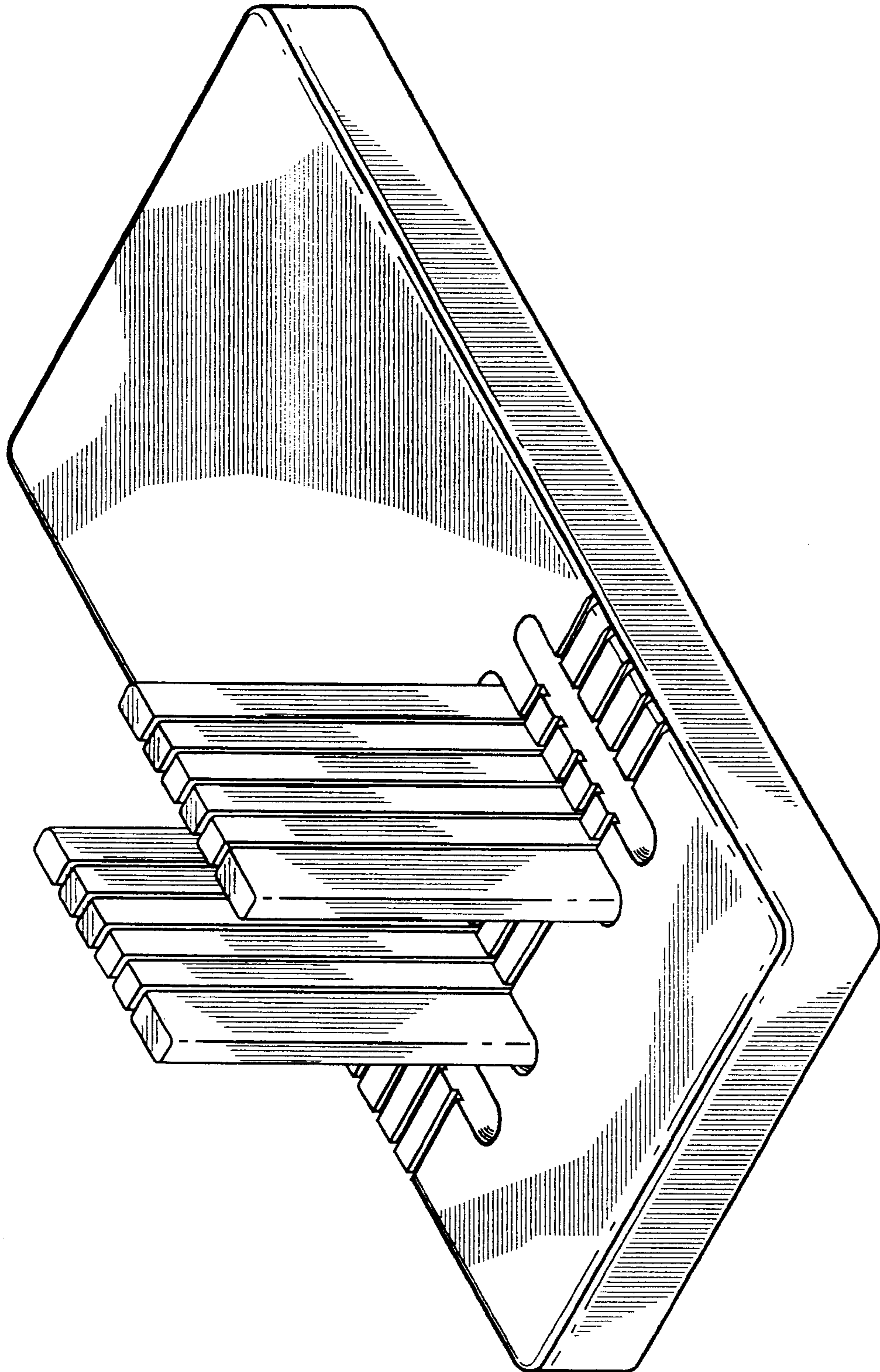


FIG. 8

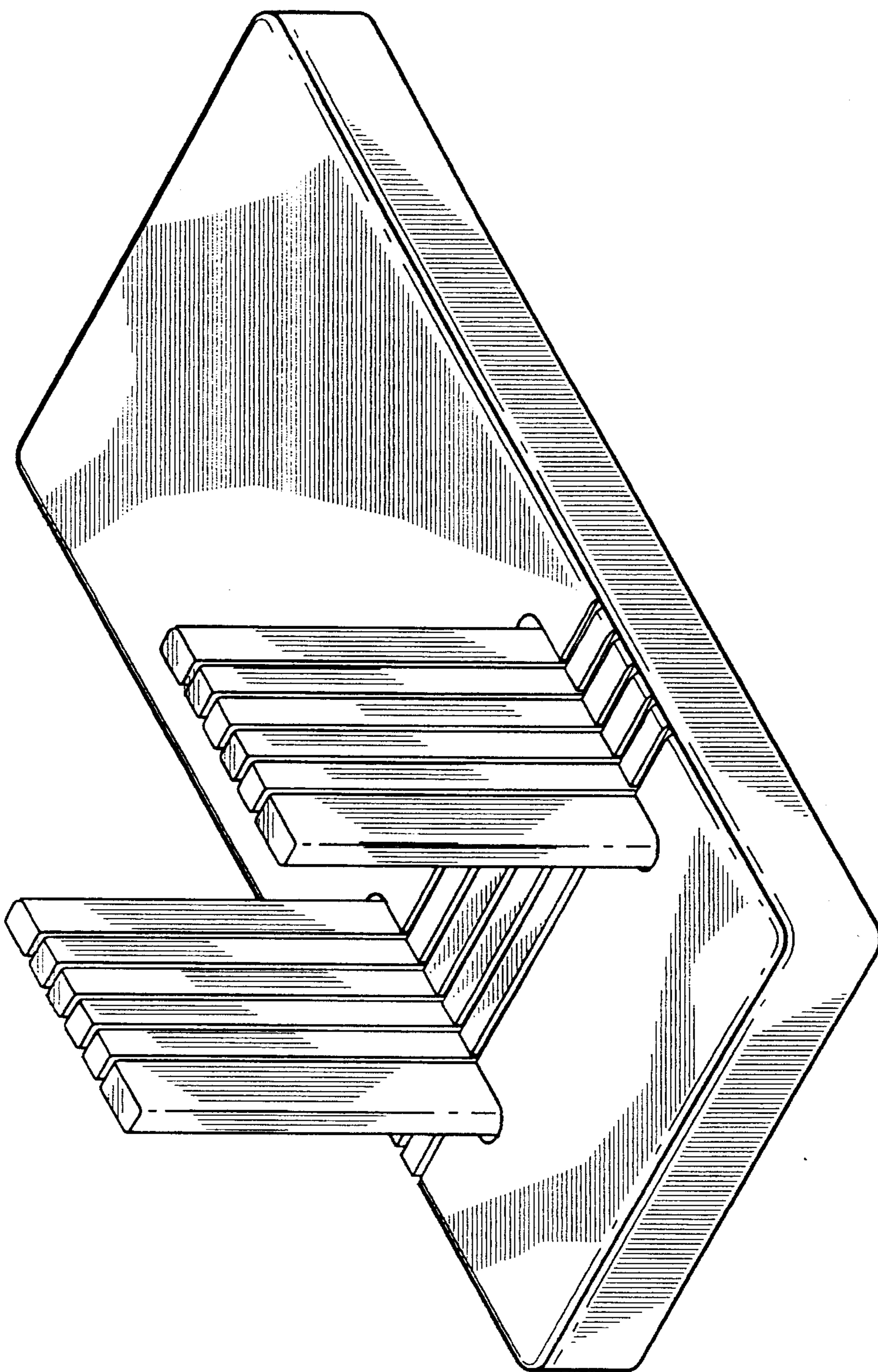


FIG. 9

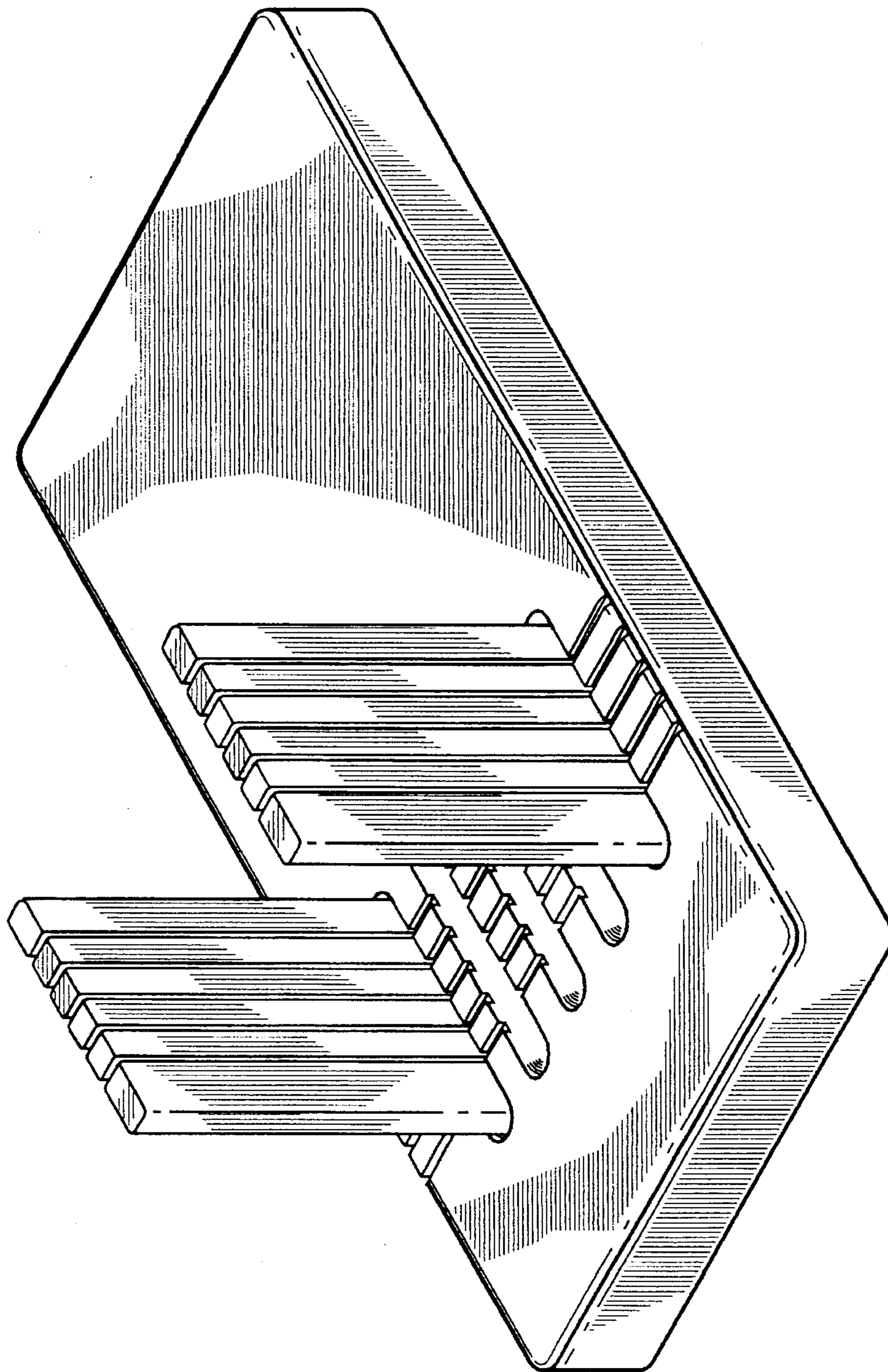


FIG. 10