



US00D372843S

United States Patent [19]

[11] Patent Number: **Des. 372,843**

Trent et al.

[45] Date of Patent: ****Aug. 20, 1996**

[54] **MULTI-PURPOSE ICE CHEST**

[76] Inventors: **Eddie G. Trent; Christine Trent; Mike Carver**, all of 8510 E 17 Ave., Anchorage, Ak. 99504

[**] Term: **14 Years**

[21] Appl. No.: **45,787**

[22] Filed: **Oct. 30, 1995**

[52] U.S. Cl. **D7/605; D6/336**

[58] Field of Search **D7/605; D6/335, D6/336; 62/457.1, 457.7; 220/694; 297/188.01, 188.08, 188.09, 217.1**

[56] **References Cited**

U.S. PATENT DOCUMENTS

D. 274,581	7/1984	Gallock	D6/336
D. 293,632	1/1988	Capocasa	D7/605 X
D. 298,186	10/1988	Brannon	D6/336
D. 330,639	11/1992	Munro et al.	D6/336 X
5,269,157	12/1993	Ciminelli et al.	62/457.7
5,275,018	1/1994	Lin et al.	62/457.7

Primary Examiner—Terry A. Wallace
Attorney, Agent, or Firm—Harold H. Dutton, Jr.; W. Charles L. Jamison; Diane F. Liebman

[57] **CLAIM**

The ornamental design for a multi-purpose ice chest, as shown and described.

DESCRIPTION

FIG. 1 is a perspective view of a multi-purpose ice chest showing our new design;
FIG. 2 is a right side view thereof; The left side is a mirror image of the right side;
FIG. 3 is a rear view thereof;
FIG. 4 is a front view thereof;
FIG. 5 is a top view thereof; and,
FIG. 6 is a bottom view thereof.
The bottom area of FIG. 1 is shown in an open position and the remaining FIGS. are shown with this area in a closed position.

1 Claim, 5 Drawing Sheets

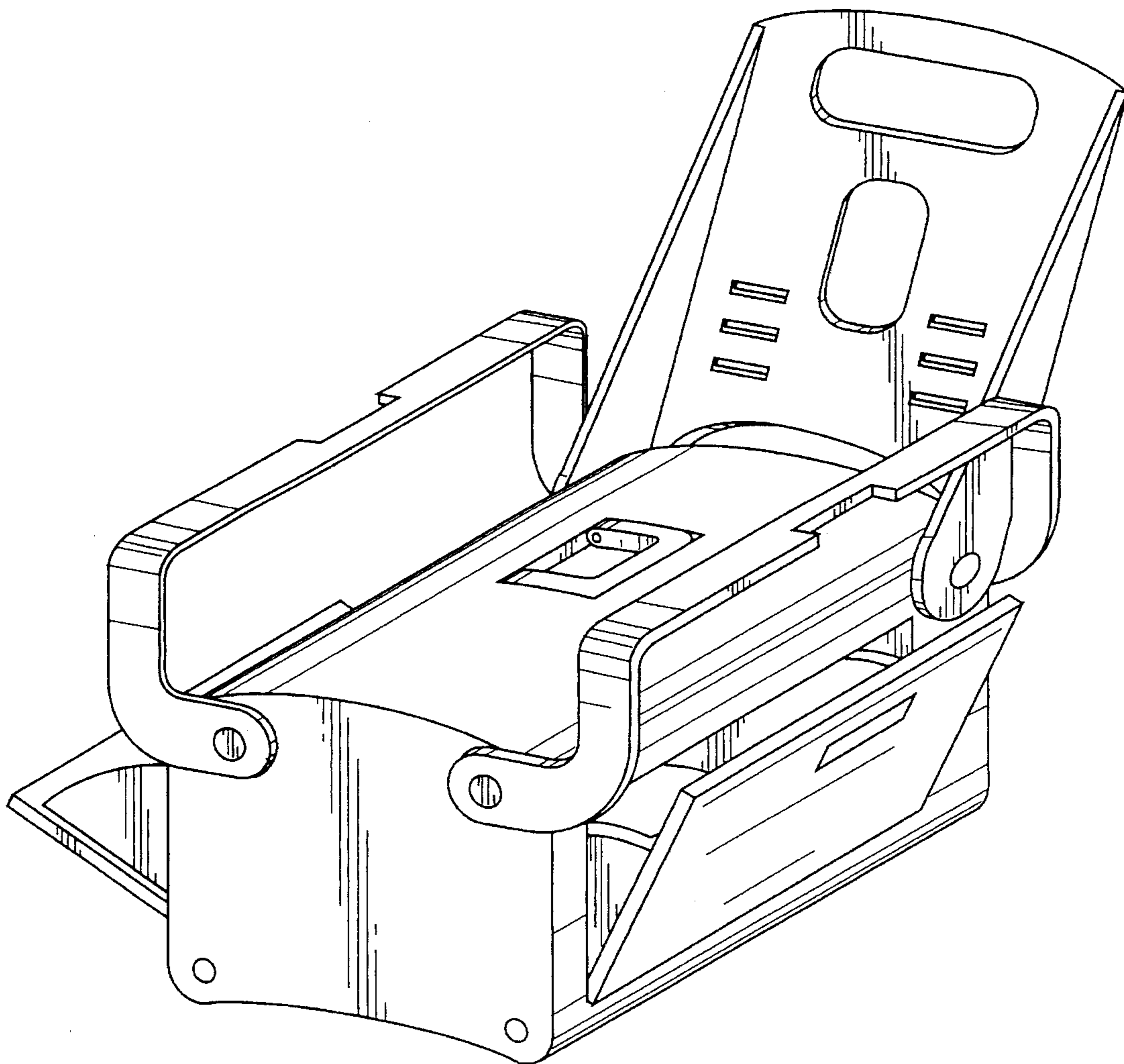


FIG. 1

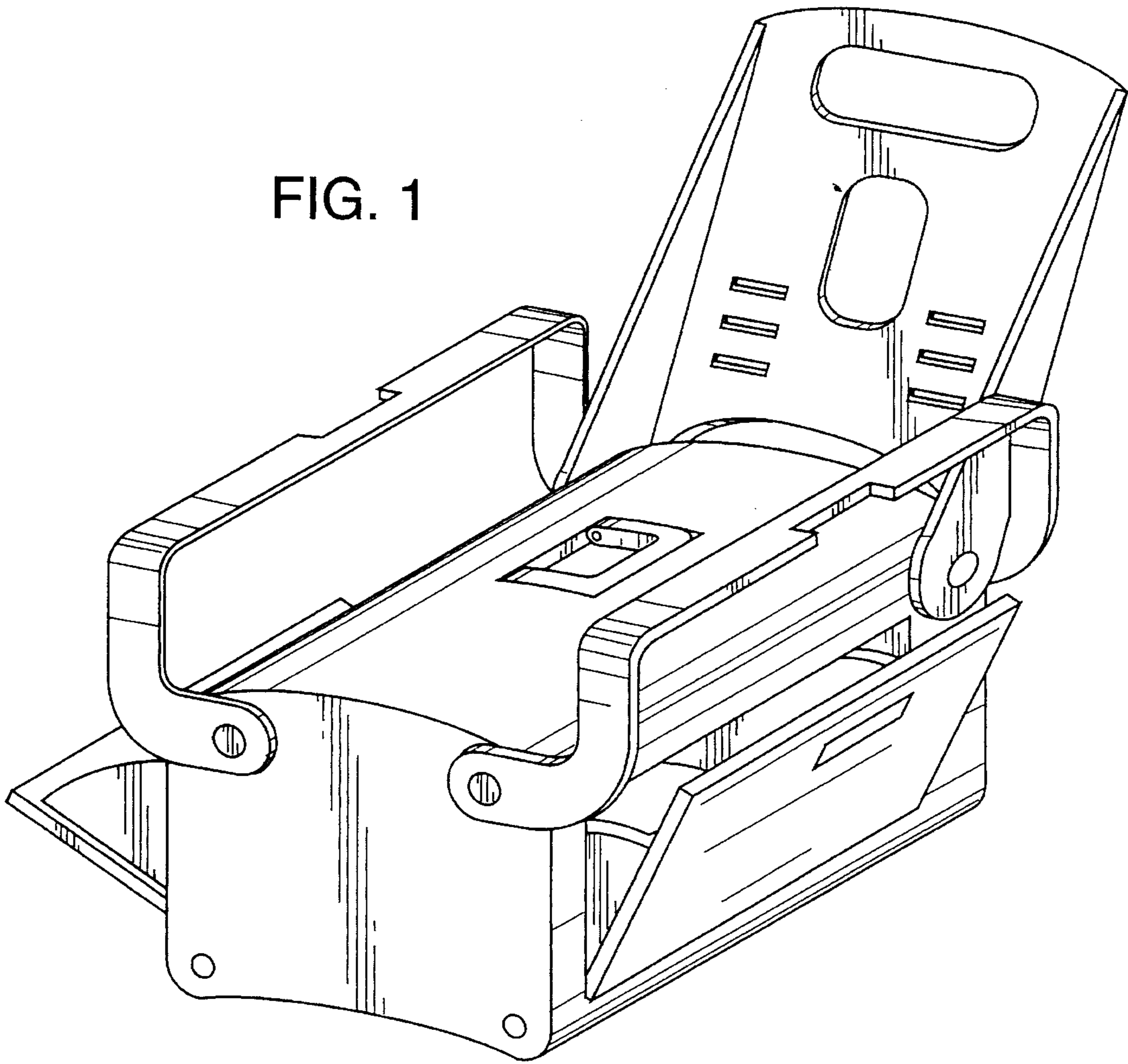
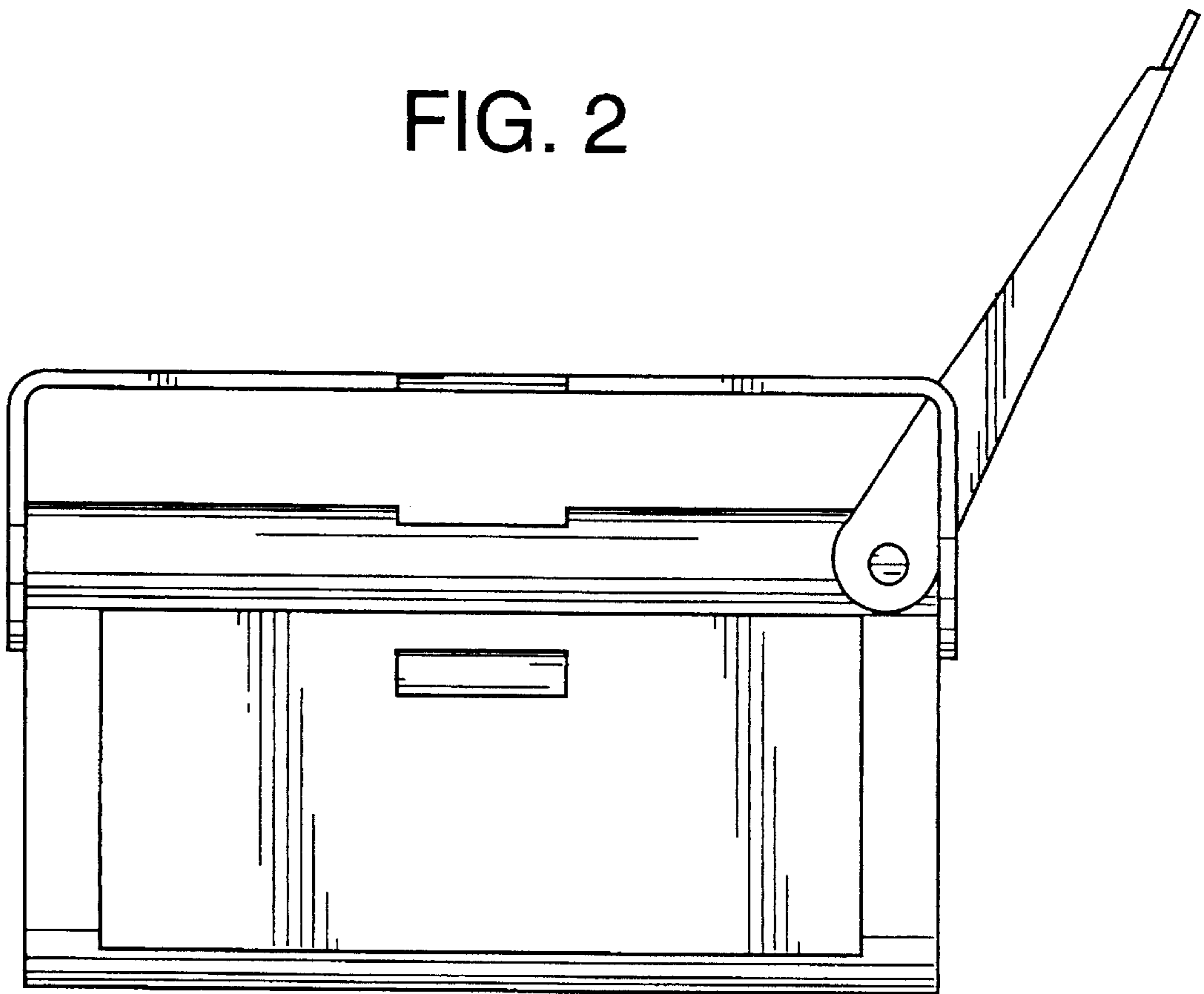


FIG. 2



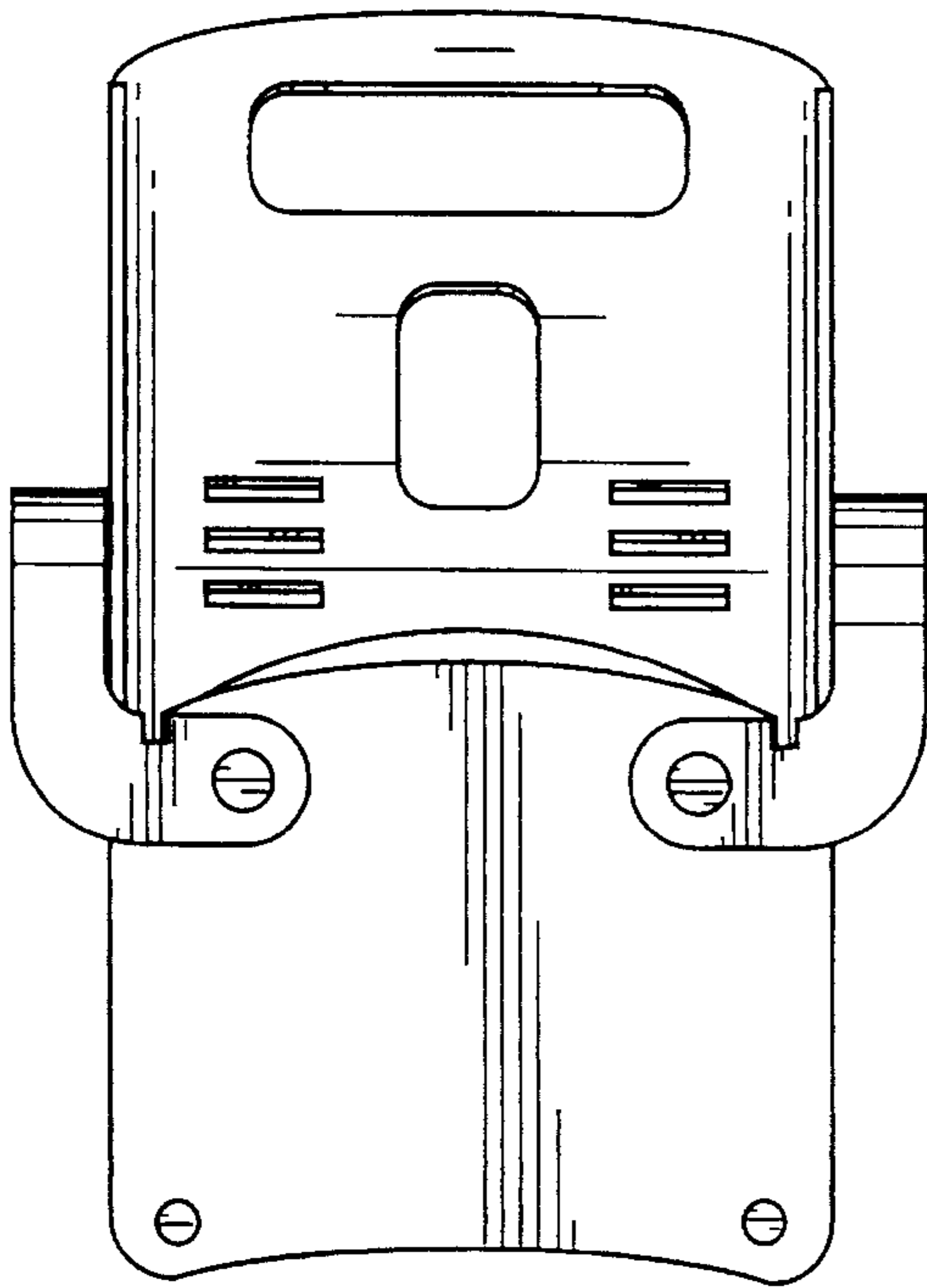
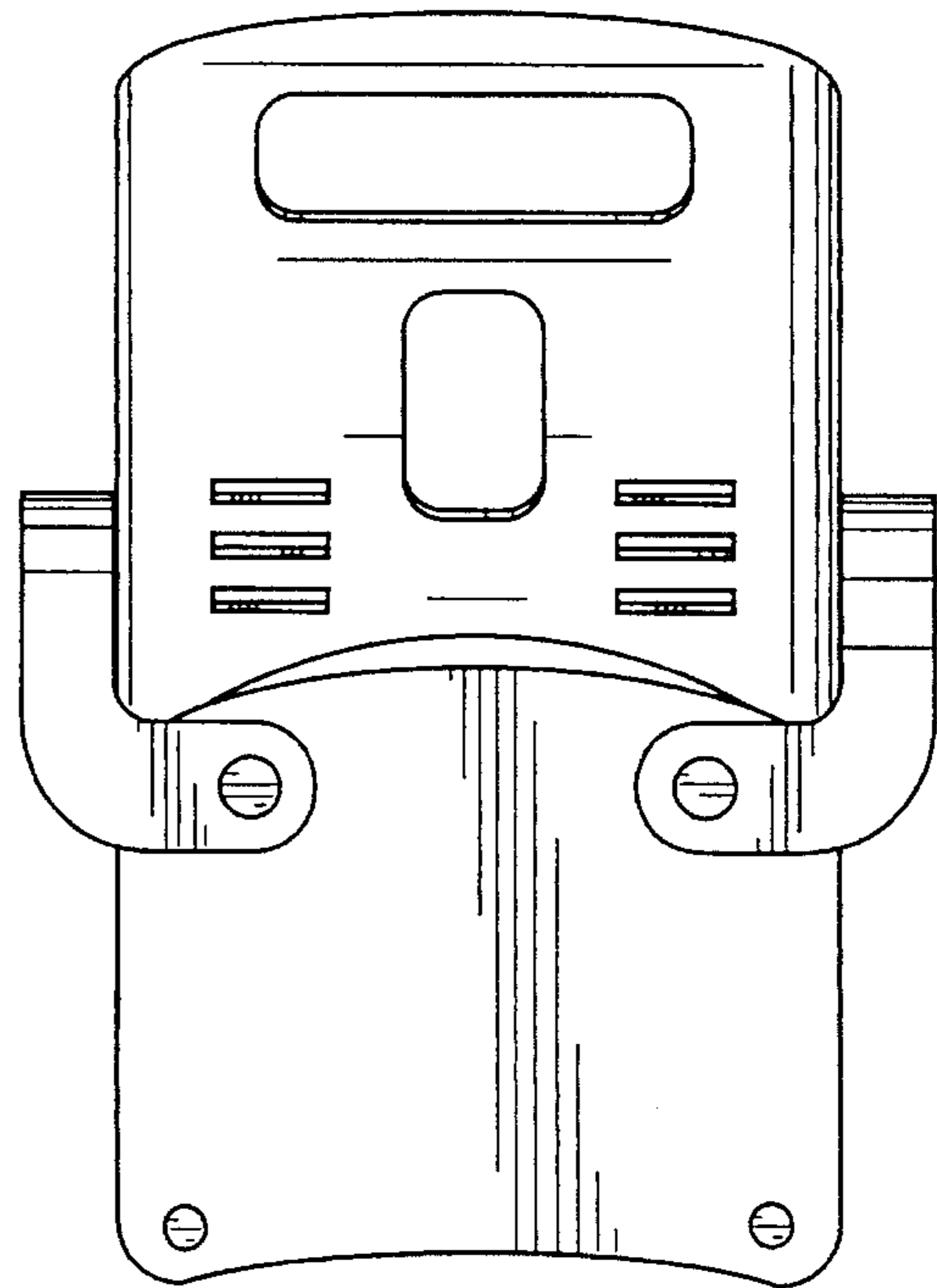


FIG. 3

FIG. 4



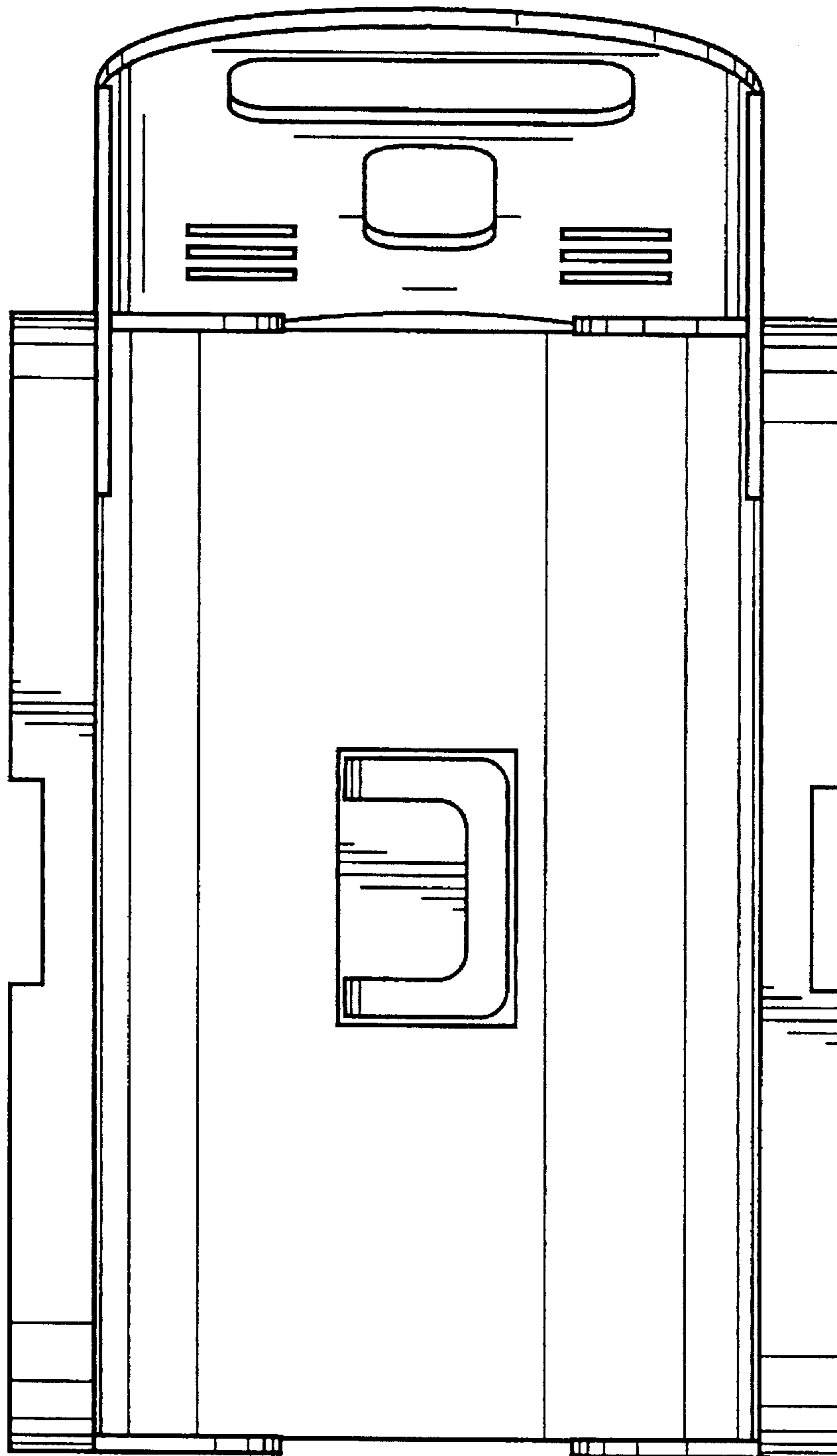


FIG. 5

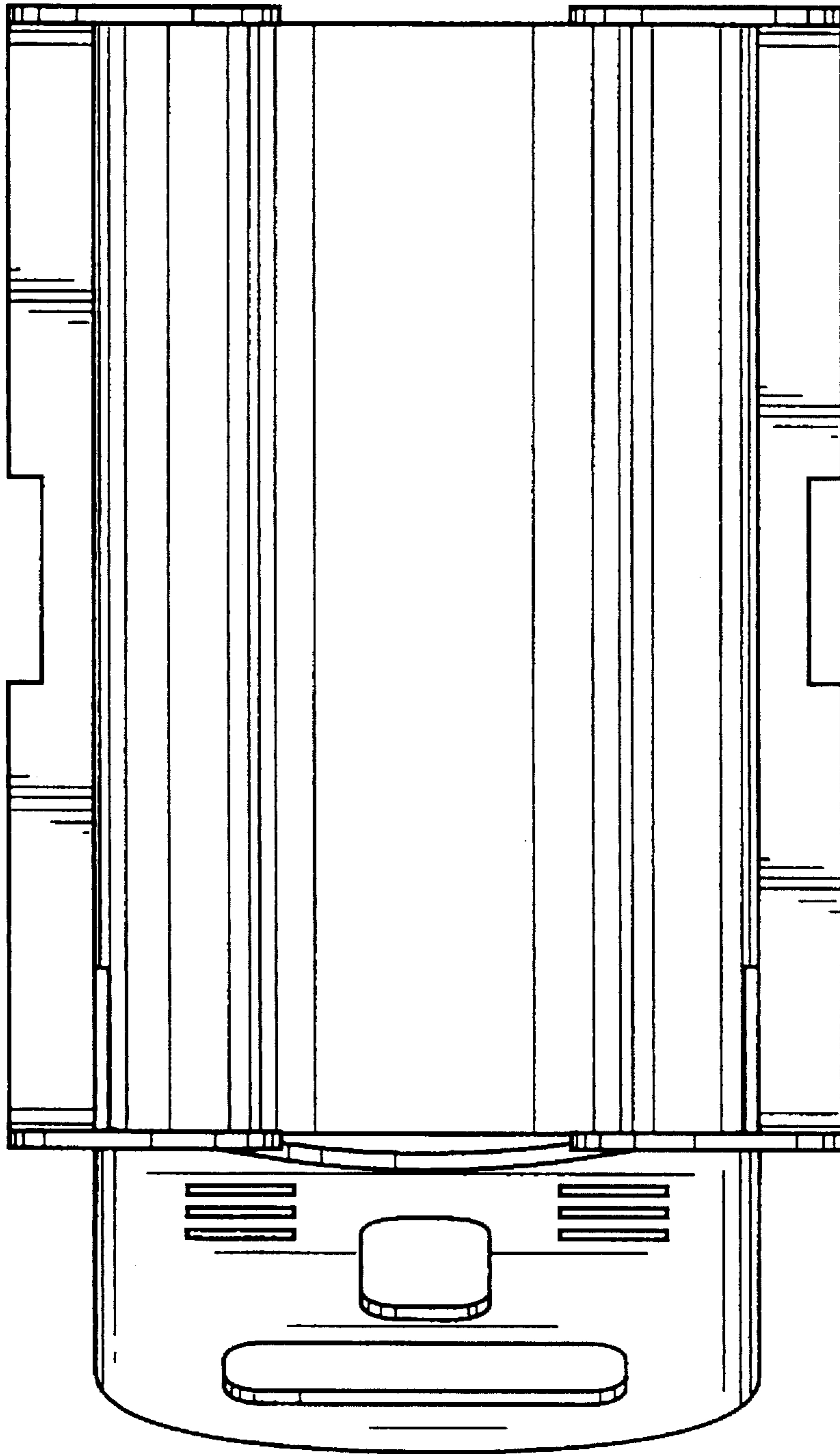


FIG. 6