



US00D372842S

United States Patent [19]

Cleary et al.

[11] Patent Number: Des. 372,842

[45] Date of Patent: **Aug. 20, 1996

[54] **CONDIMENT CADDY**

[75] Inventors: **Wayne Cleary; Sharon Austin**, both of Pittsburgh; **Charles Stewart**, Ligonier, all of Pa.

[73] Assignee: **H. J. Heinz Company**, Pittsburgh, Pa.

[**] Term: **14 Years**

[21] Appl. No.: **41,319**

[22] Filed: **Jul. 11, 1995**

[52] U.S. Cl. **D7/600**

[58] Field of Search D7/590, 600, 701, D7/705-708, 550-557; 206/372, 562; 211/71, 74, 126; 220/507

[56] **References Cited**

U.S. PATENT DOCUMENTS

D. 26,578	2/1897	Lustig .	
D. 51,466	11/1917	Schafer .	
D. 55,495	6/1920	White	D7/590
D. 69,605	3/1926	McCartney	D7/600
D. 165,076	11/1951	Hill	D7/600
D. 280,060	8/1985	Holzkopf .	
D. 347,908	6/1994	Downard .	
D. 350,438	9/1994	Apps et al. .	

1,705,236	3/1929	Buckley .
2,625,308	1/1953	Green .
3,281,011	10/1966	Bixler et al. .
3,369,724	2/1968	Ettlinger .
3,618,749	11/1971	Vaccaro .
3,830,417	8/1974	Montesi .
4,947,991	8/1990	Snell .
5,221,002	6/1993	Garganese .
5,388,697	2/1995	James .

Primary Examiner—Terry A. Wallace
Attorney, Agent, or Firm—Burns, Doane, Swecker & Mathis, L.L.P.

[57] **CLAIM**

The ornamental design for condiment caddy, as shown and described.

DESCRIPTION

FIG. 1 is a front elevational view of the condiment caddy; FIG. 2 is a rear elevational view of the condiment caddy; FIG. 3 is a right side elevational view of the condiment caddy; FIG. 4 is a left side elevational view of the condiment caddy; FIG. 5 is a top plan view of the condiment caddy; and, FIG. 6 is a bottom view of the condiment caddy.

1 Claim, 3 Drawing Sheets

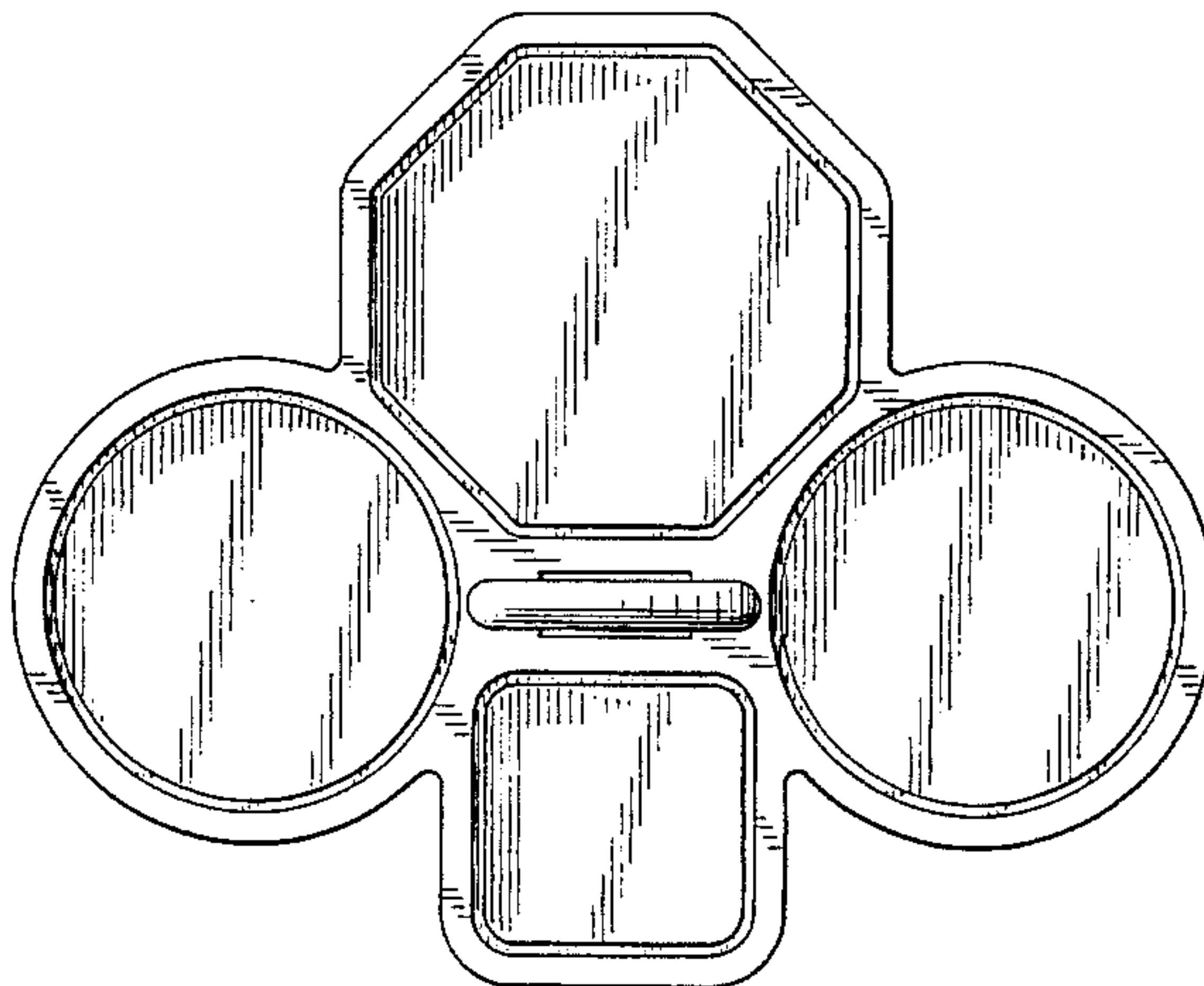
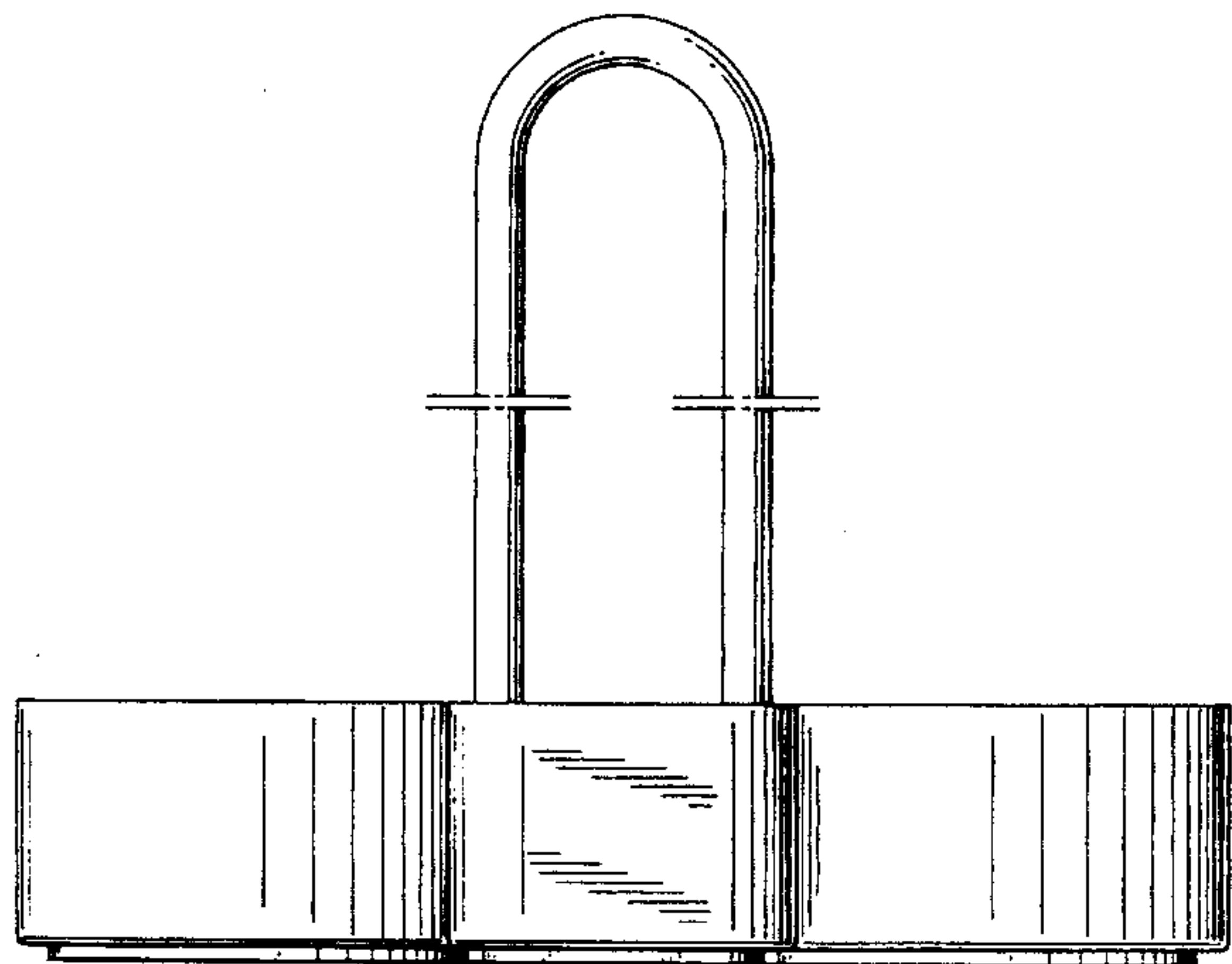


FIG. 1

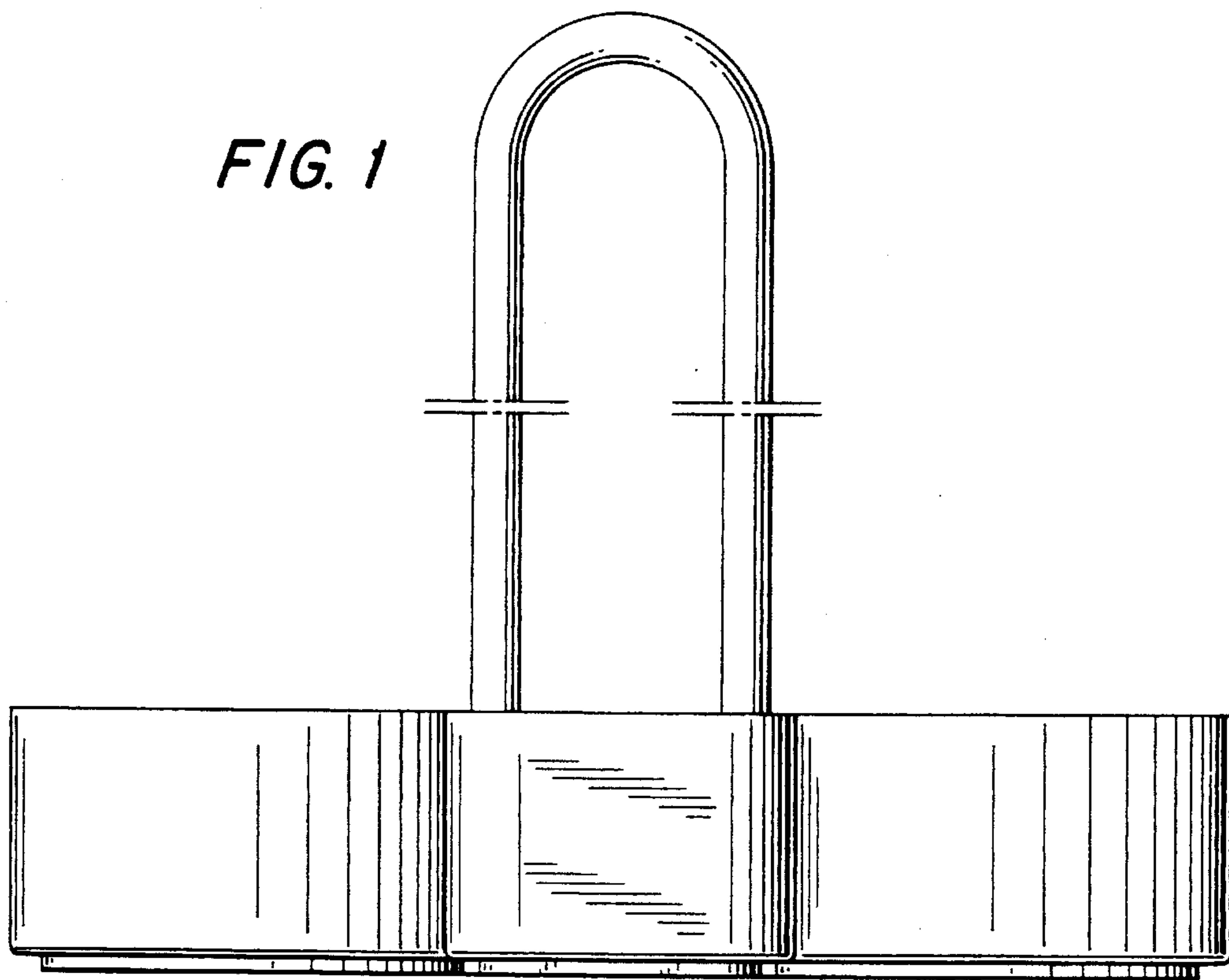
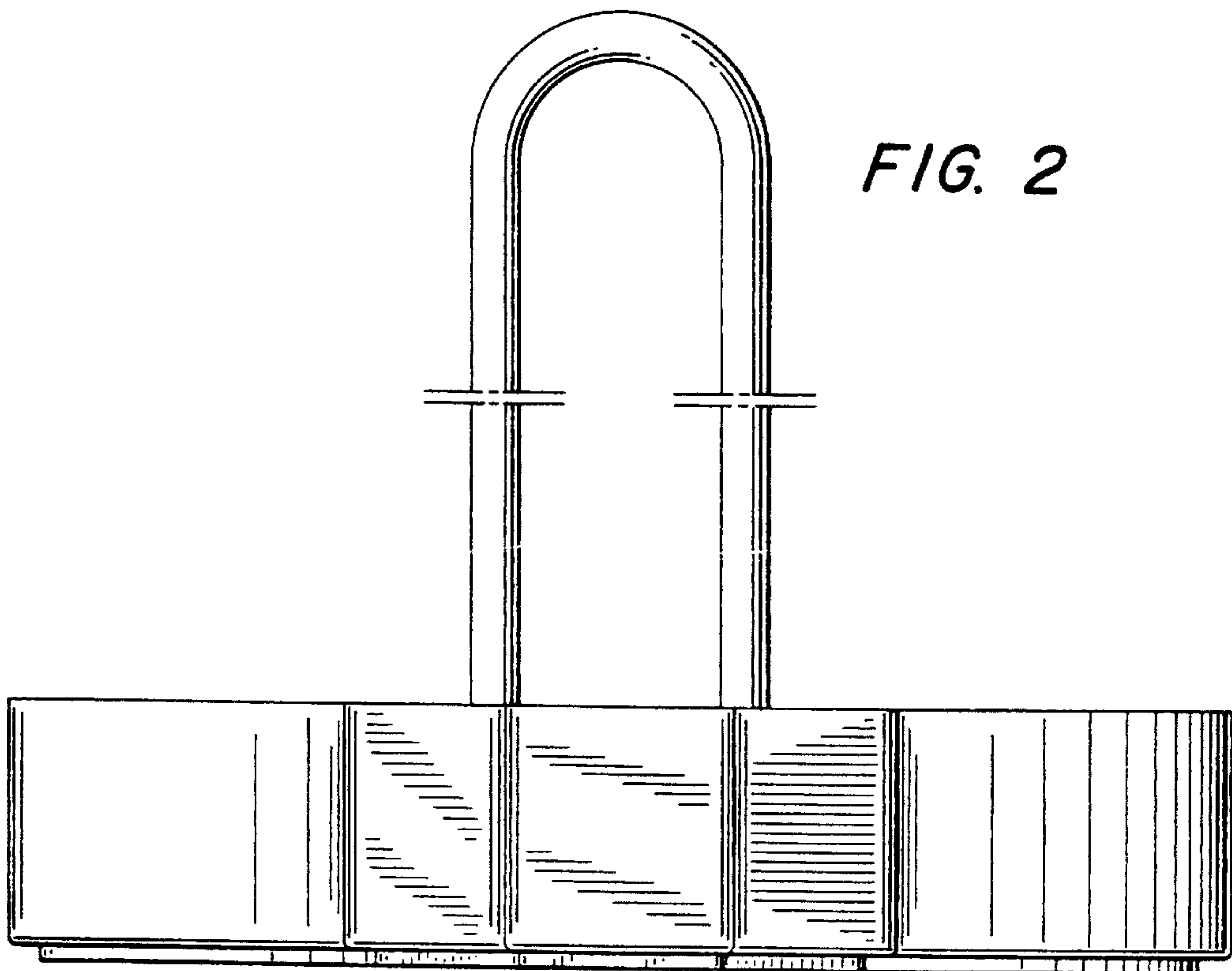


FIG. 2



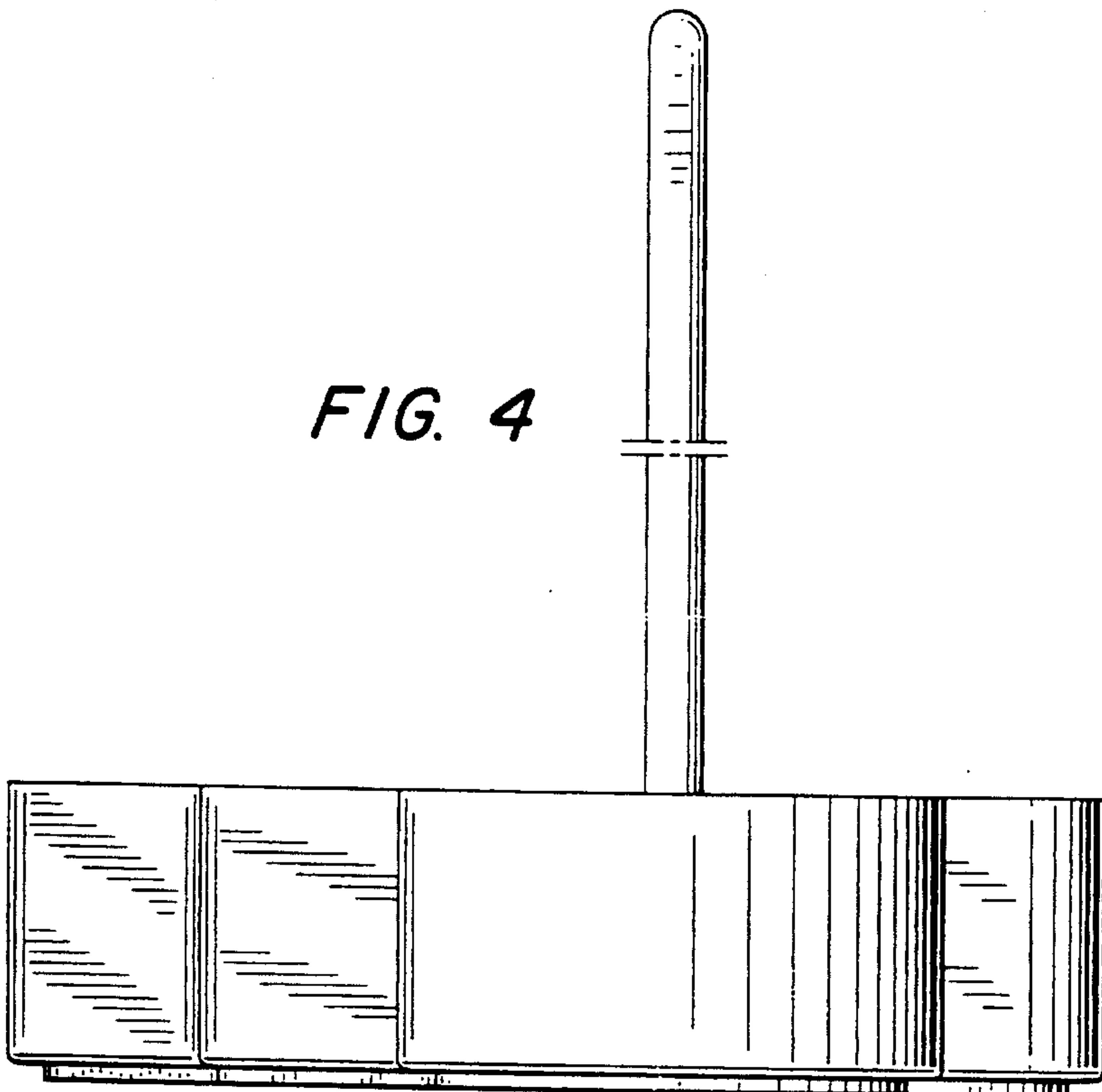
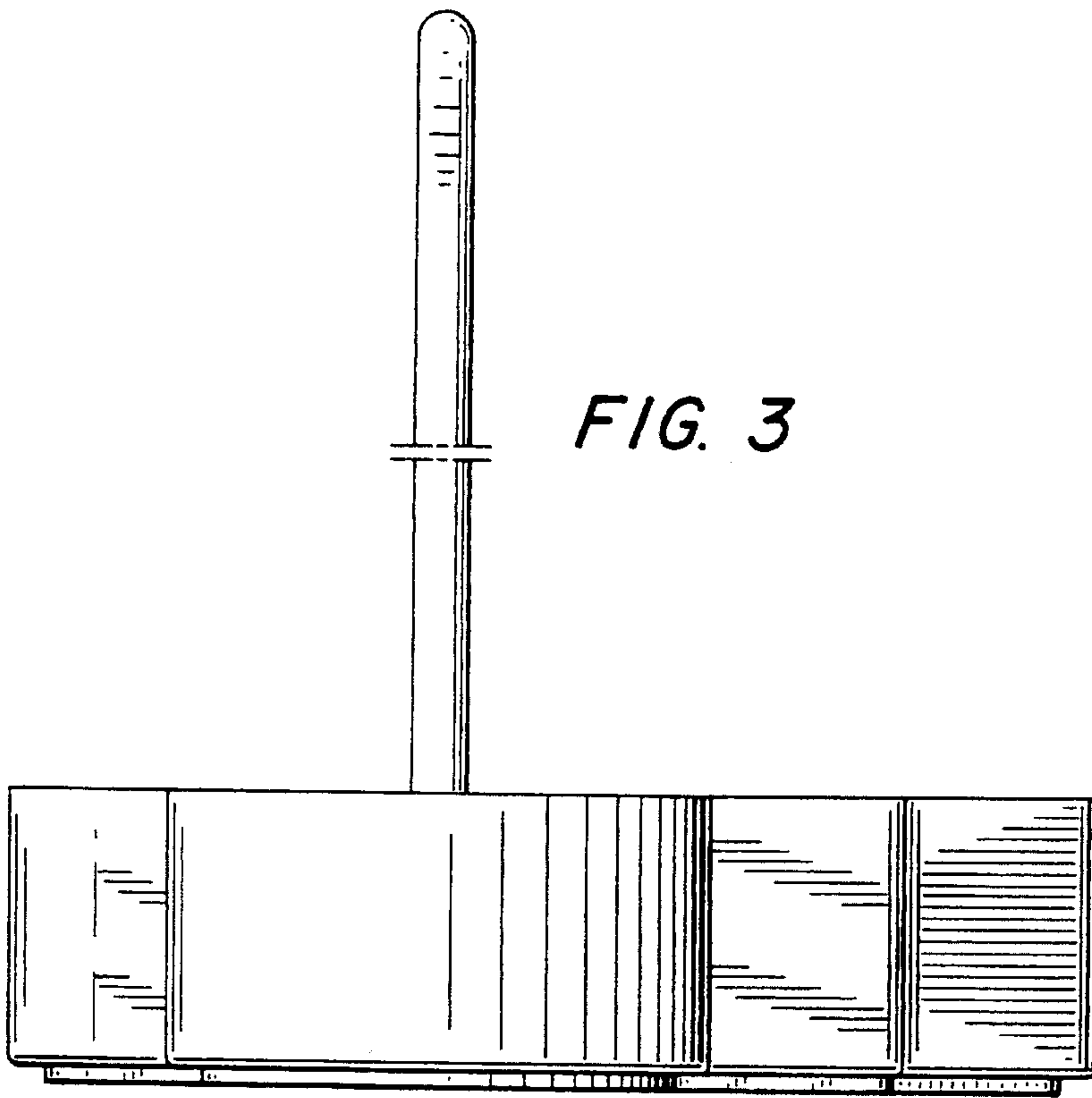


FIG. 5

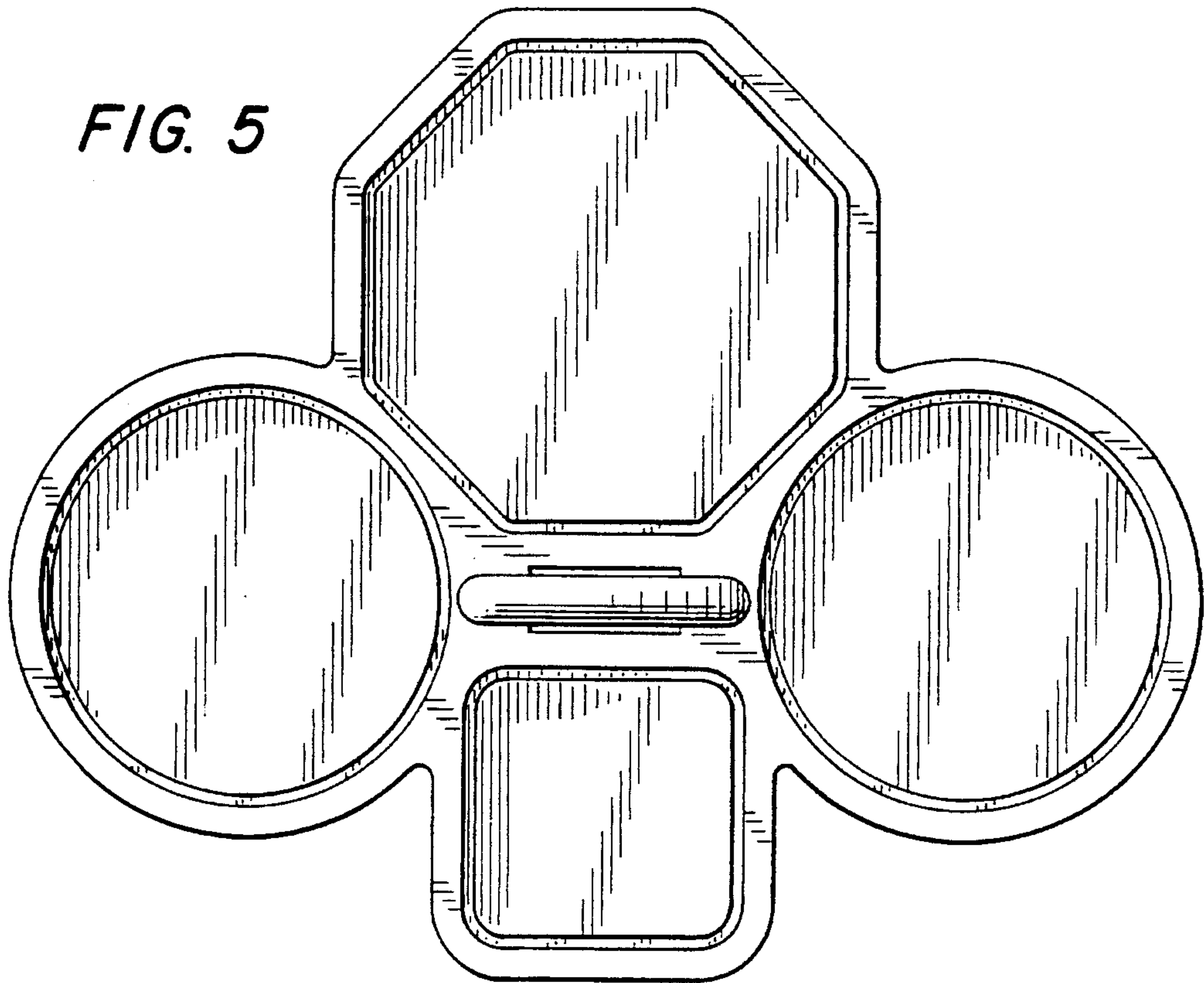


FIG. 6

