



US00D372841S

United States Patent [19]

[11] Patent Number: **Des. 372,841**

De Simone

[45] Date of Patent: ****Aug. 20, 1996**

[54] **SUGAR-BOWL WITH TWO TEASPOON-HOLDERS**

D. 336,555 6/1993 Goetz D7/557 X
5,346,070 9/1994 McSpadden 206/564 X

[76] Inventor: **Fiorentino De Simone**, Largo Olgiata
15 - Isola 2E - 00123, Rome, Italy

Primary Examiner—Terry A. Wallace
Attorney, Agent, or Firm—Watson Cole Stevens Davis,
P.L.L.C.

[**] Term: **14 Years**

[57] **CLAIM**

[21] Appl. No.: **39,661**

The ornamental design for a sugar-bowl with two teaspoon-holders, as shown.

[22] Filed: **Jun. 1, 1995**

[52] U.S. Cl. **D7/590**

DESCRIPTION

[58] **Field of Search** D7/401.1, 590,
D7/592, 599, 600, 601, 602, 629, 543-549,
555-557; 211/71, 74; 220/500, 574-575

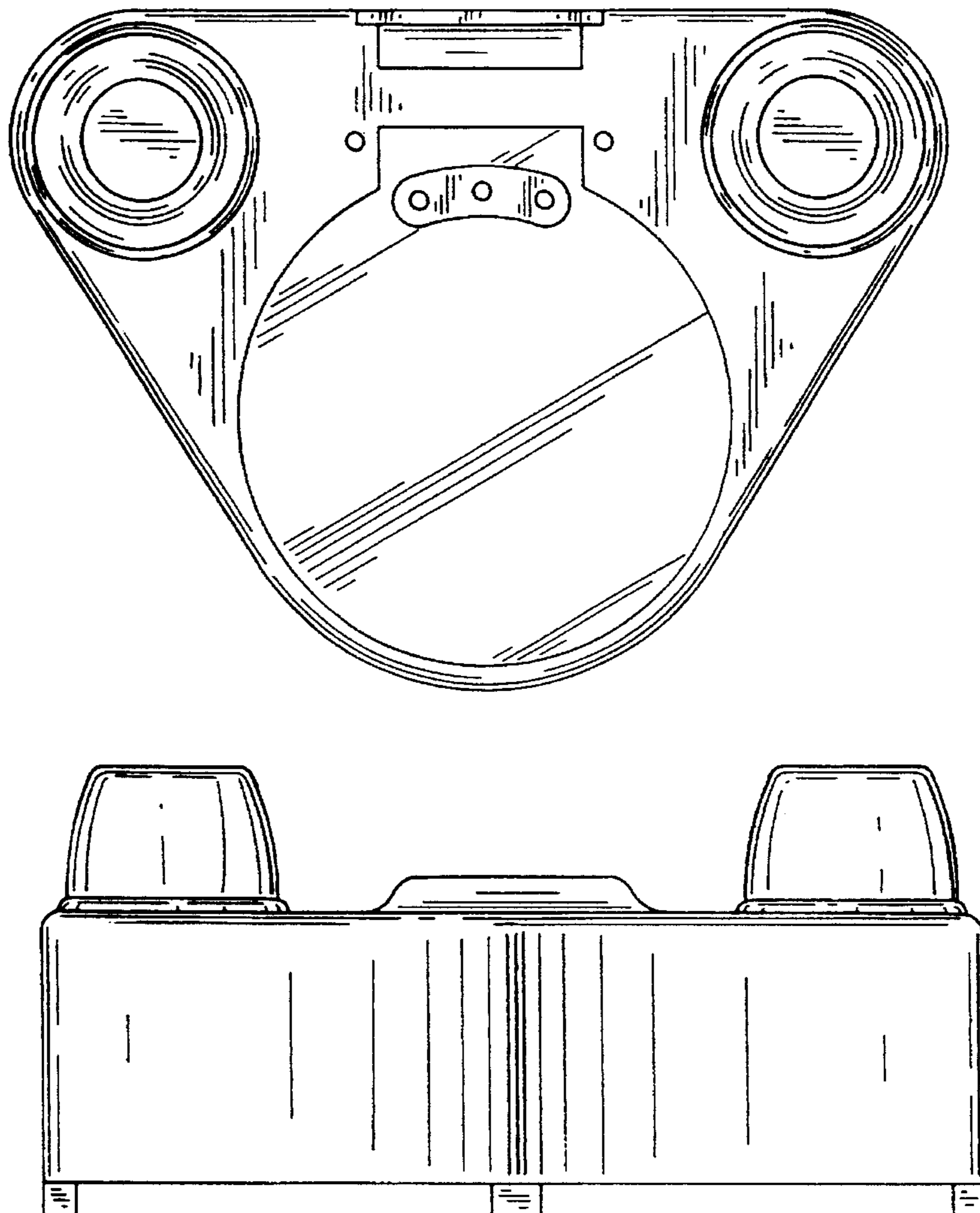
FIG. 1 is a top plan view of a sugar bowl with two teaspoon holders showing my new design;
FIG. 2 is a bottom plan view thereof;
FIG. 3 is a front elevational view thereof;
FIG. 4 is a back elevational view thereof;
FIG. 5 is a right side elevational view thereof; and,
FIG. 6 is a left side elevational view thereof.

[56] **References Cited**

U.S. PATENT DOCUMENTS

D. 250,880 1/1979 Stone et al. D7/554 X
D. 252,938 9/1979 Binderup D7/554 X
D. 336,219 6/1993 Held D7/590 X

1 Claim, 3 Drawing Sheets



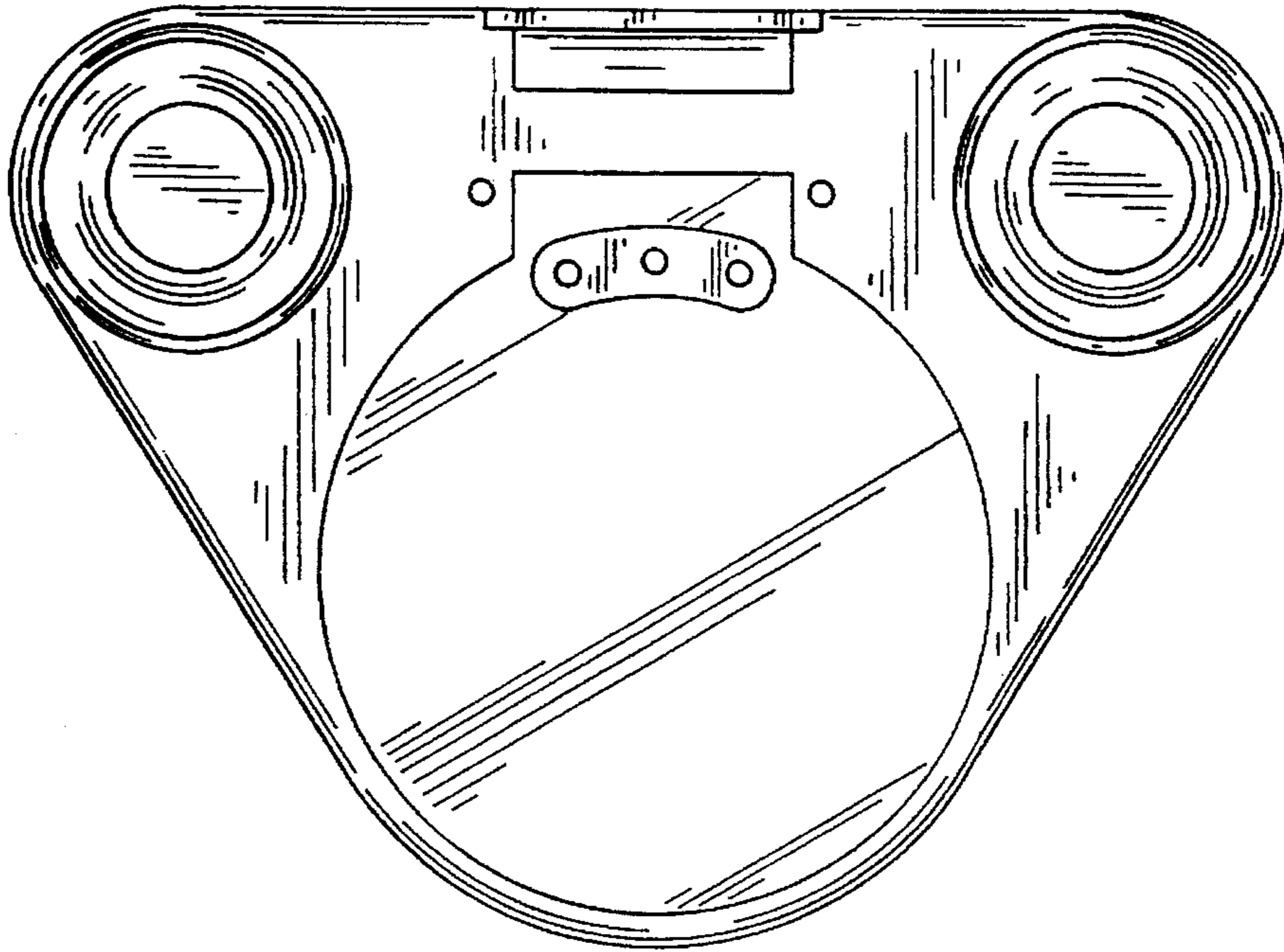


FIG. 1

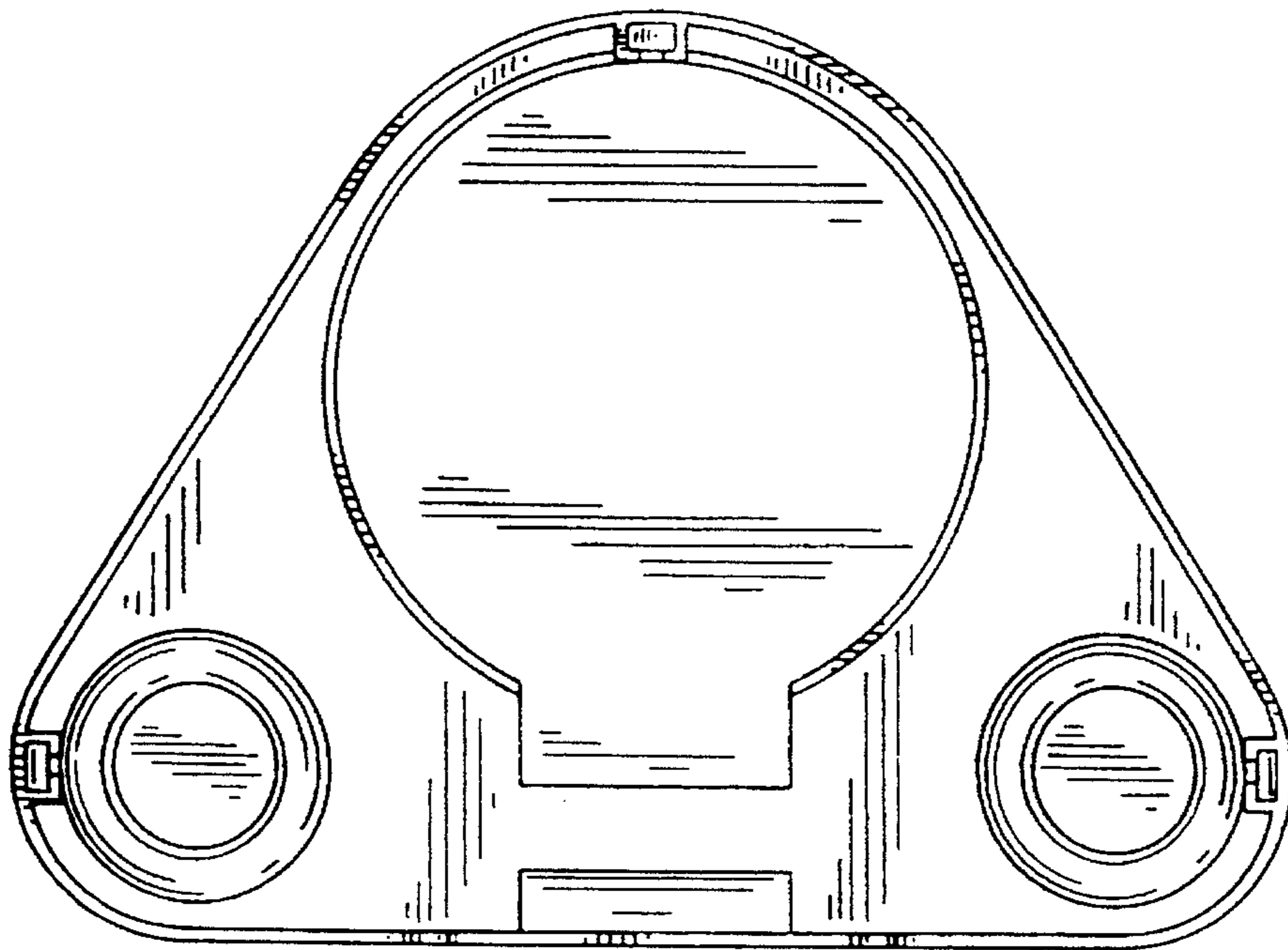


FIG. 2

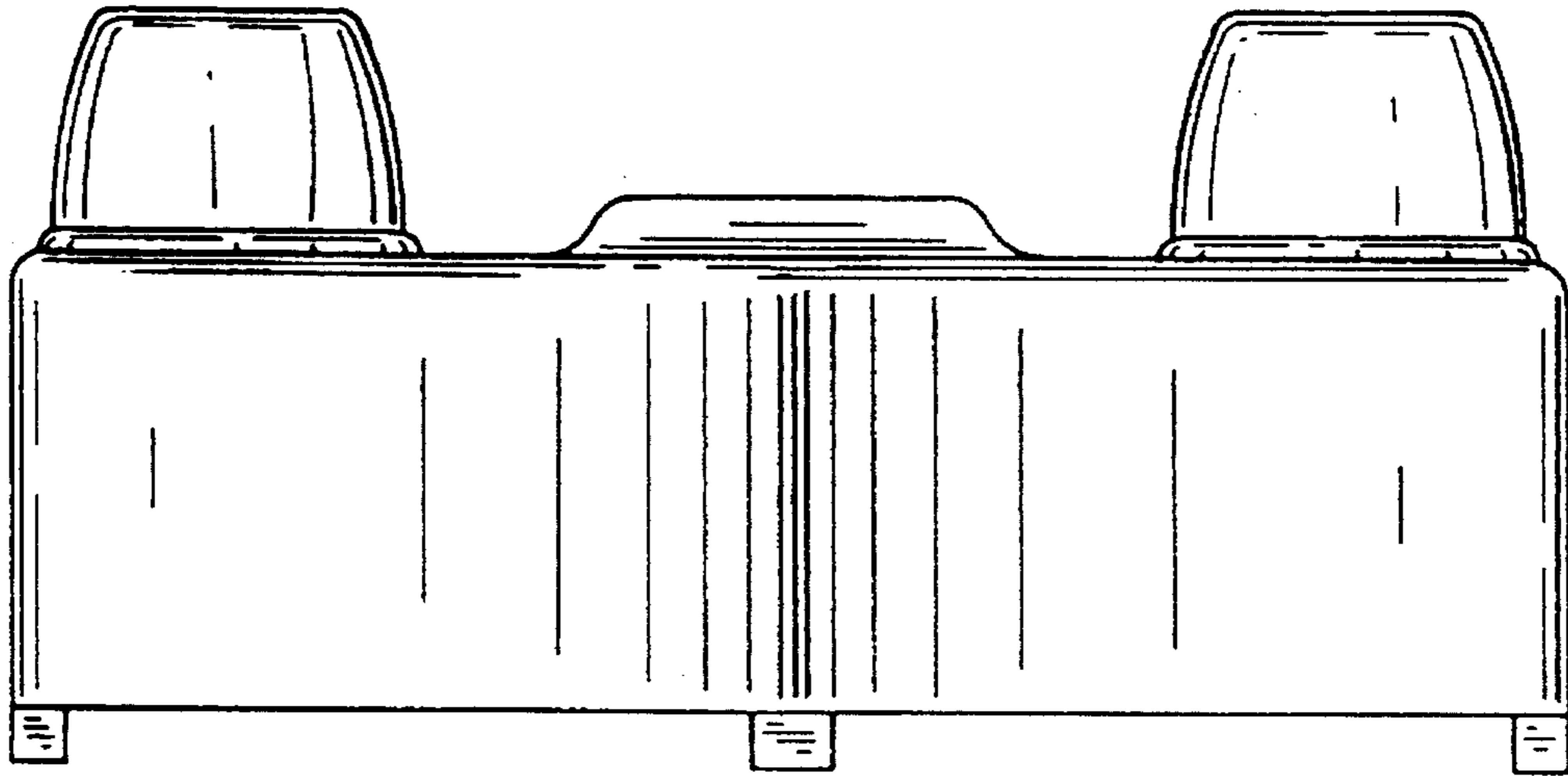


FIG. 3

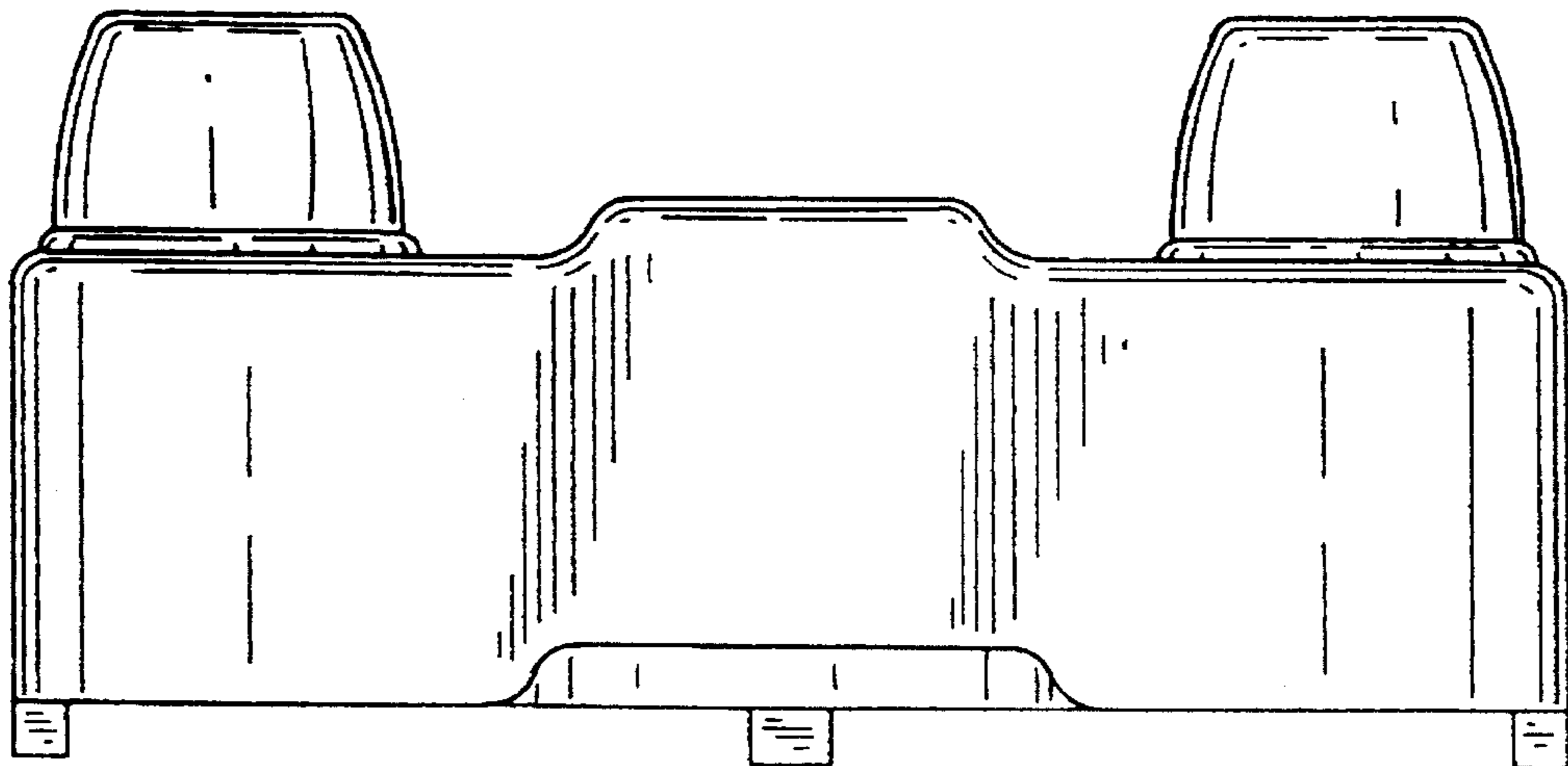


FIG. 4

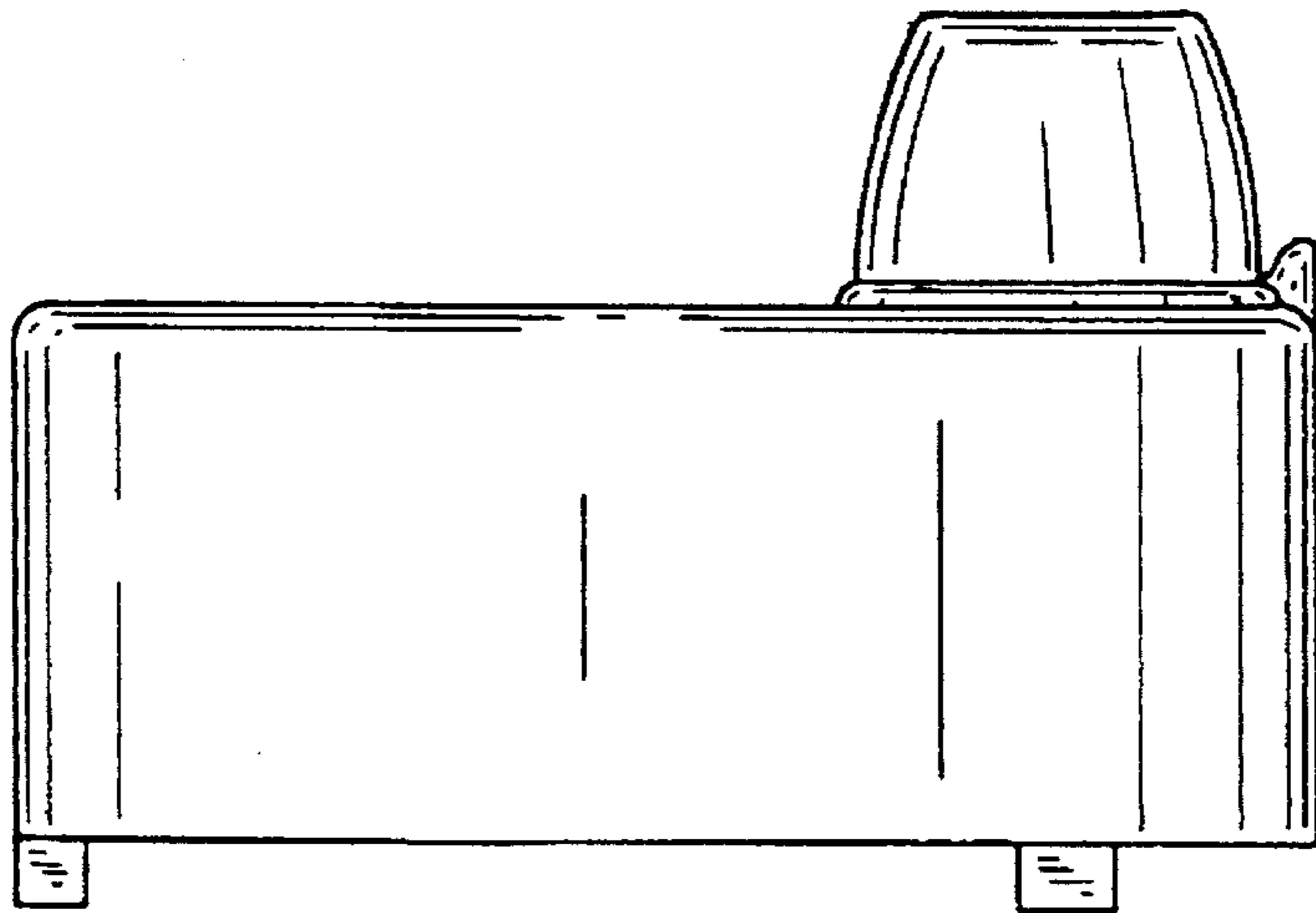


FIG. 5

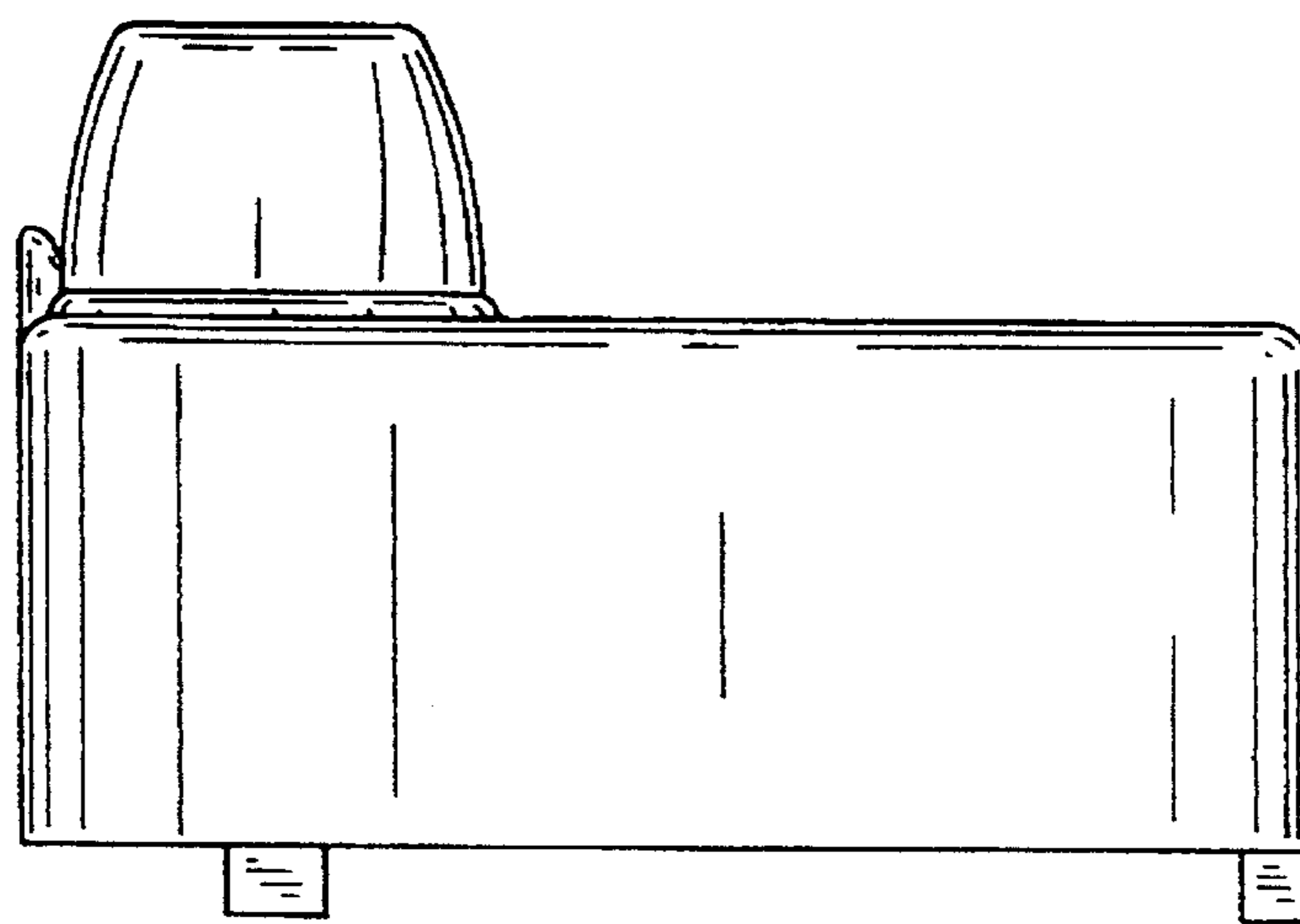


FIG. 6