



US00D372839S

United States Patent [19]
Laib

[11] **Patent Number: Des. 372,839**
[45] **Date of Patent: **Aug. 20, 1996**

[54] **COMMUTER MUG**
[75] **Inventor: Douglas M. Laib**, Orlando, Fla.
[73] **Assignee: Dart Industries Inc.**, Deerfield, Ill.
[**] **Term: 14 Years**

2,895,636 7/1959 Martin .
3,539,075 11/1970 Bautista .
4,040,549 8/1977 Sadler 215/376
4,276,992 7/1981 Susich .
4,928,412 5/1990 Nishiyama D7/536 X

[21] **Appl. No.: 43,021**
[22] **Filed: Aug. 23, 1995**
[52] **U.S. Cl. D7/536; D7/511; D7/510**
[58] **Field of Search D7/526, 619, 527, D7/622, 528, 623, 524, 535, 518, 536, 515, 534, 510, 511, 509, 507, 523, 562, 561, 530, 531, 533; D9/551, 564; 229/402, 400; 220/671, 669, 674; 215/392, 393, 391, 376**

OTHER PUBLICATIONS

Hall Service China (Jul. 76) Catalog SM 373, p. 3.
Mug Holder (#4) Design Aug., 1976, p. 56.

Primary Examiner—M. N. Pandozzi
Attorney, Agent, or Firm—John A. Doninger

[56] **References Cited**

U.S. PATENT DOCUMENTS

D. 66,882	3/1925	Saunders	D7/622
D. 247,839	5/1978	Ashton	D7/536 X
D. 255,858	7/1980	Ashton	D7/536
D. 325,848	5/1992	Embree	D7/510
D. 326,586	6/1992	Embree	D7/510
D. 331,684	12/1992	Trombley	D7/536
D. 339,029	9/1993	Schaepi	D7/536
D. 343,991	2/1994	Schaepi	D7/536
D. 346,933	5/1994	Denny et al.	D7/536
D. 351,314	10/1994	Sokolski et al.	D7/536
D. 362,156	9/1995	Goto et al.	D7/511
D. 363,415	10/1995	Carlson	D7/536
D. 363,641	10/1995	Goto et al.	D7/511

[57] **CLAIM**

The ornamental design for a commuter mug, as shown.

DESCRIPTION

FIG. 1 is a top, left, rear perspective view of a commuter mug showing my new design;
FIG. 2 is a top, right, front exploded perspective view thereof;
FIG. 3 is a left side elevational view thereof;
FIG. 4 is a front elevational view thereof;
FIG. 5 is a top plan thereof;
FIG. 6 is a right side elevational view thereof;
FIG. 7 is a rear elevational view thereof;
FIG. 8 is a bottom plan thereof;
FIG. 9 is a cross-section view thereof taken on line 9—9 in FIG. 5; and,
FIG. 10 is a cross-section view thereof taken on line 10—10 in FIG. 5.

1 Claim, 4 Drawing Sheets

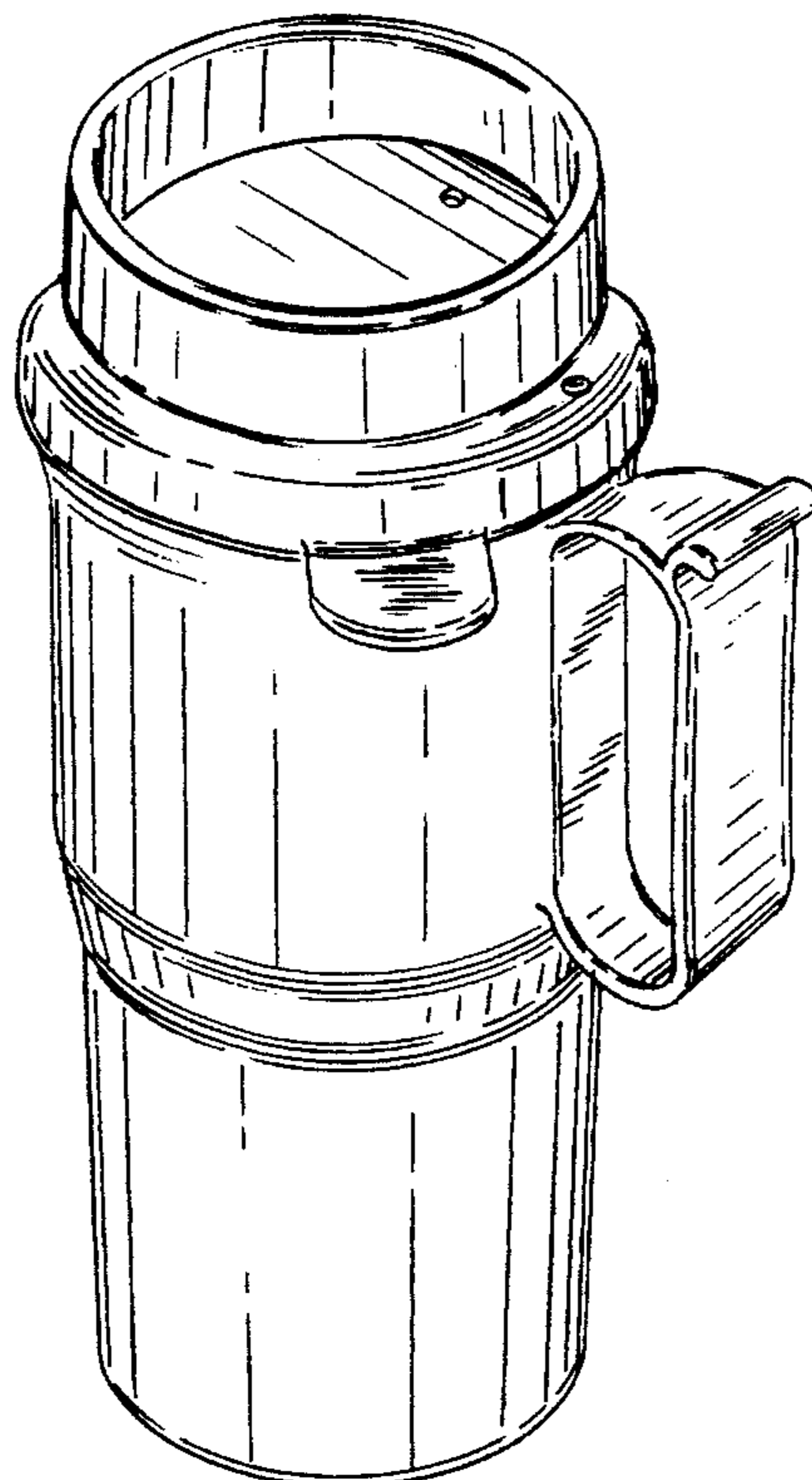


FIG. 1

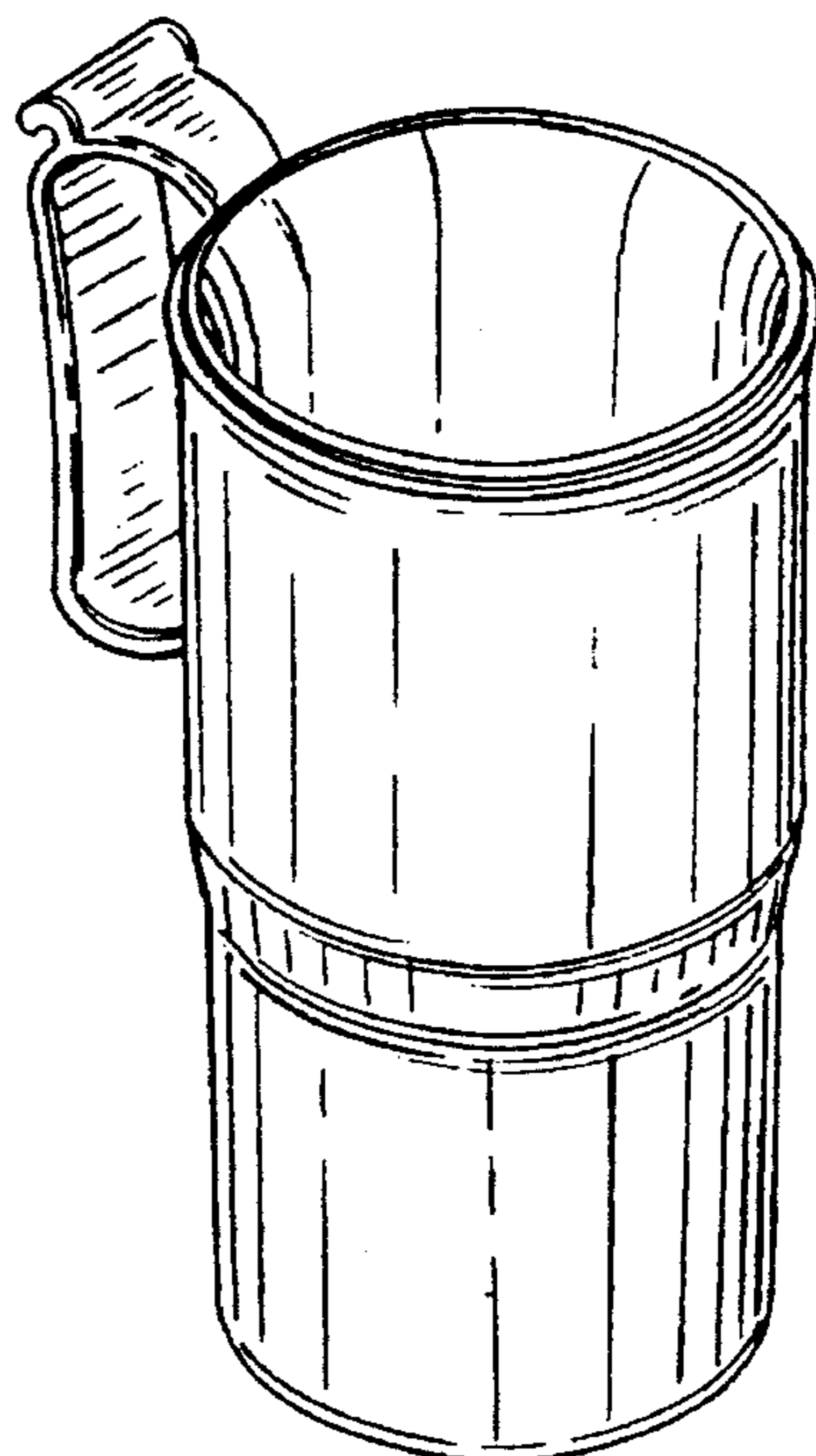
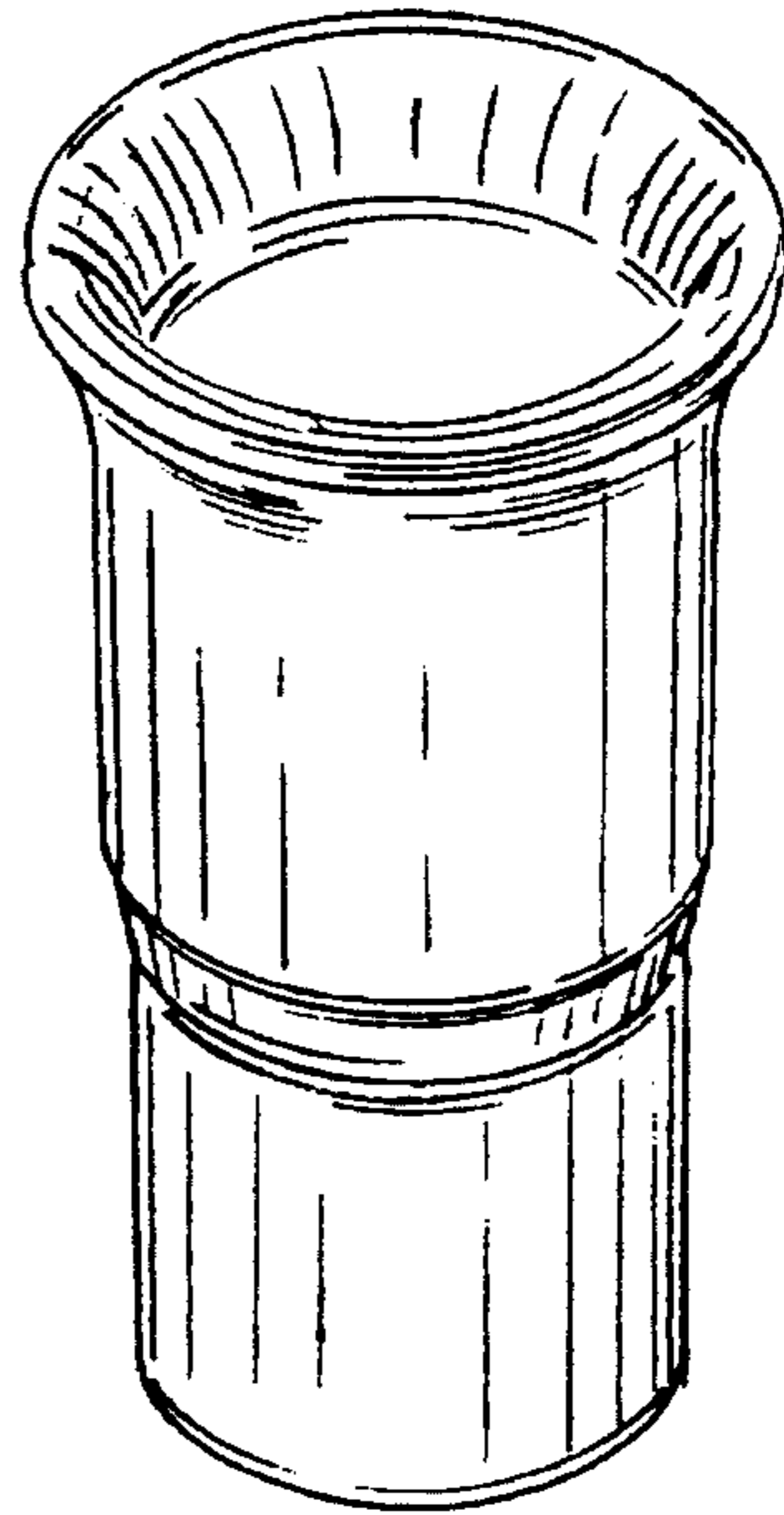
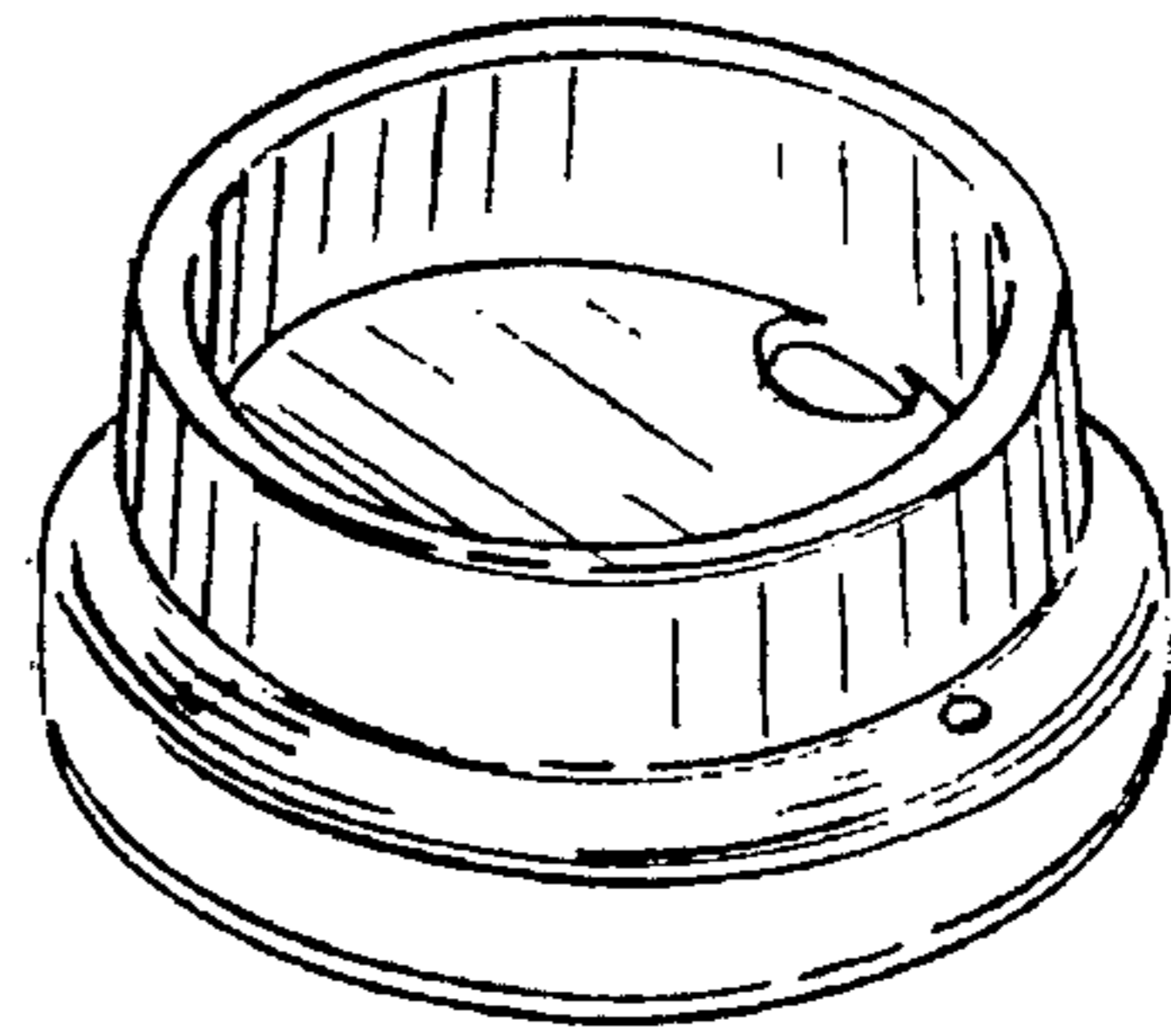
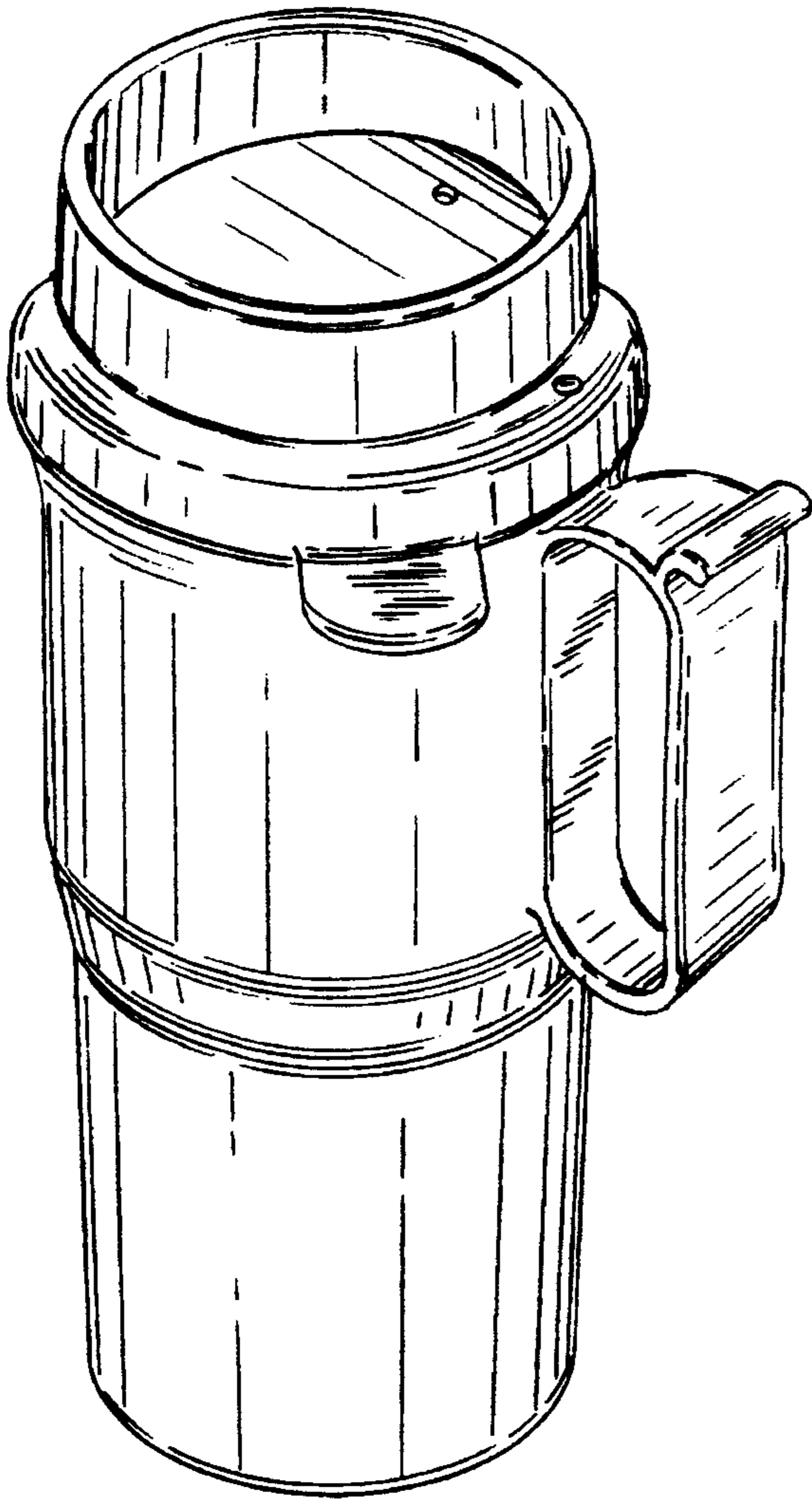


FIG. 2

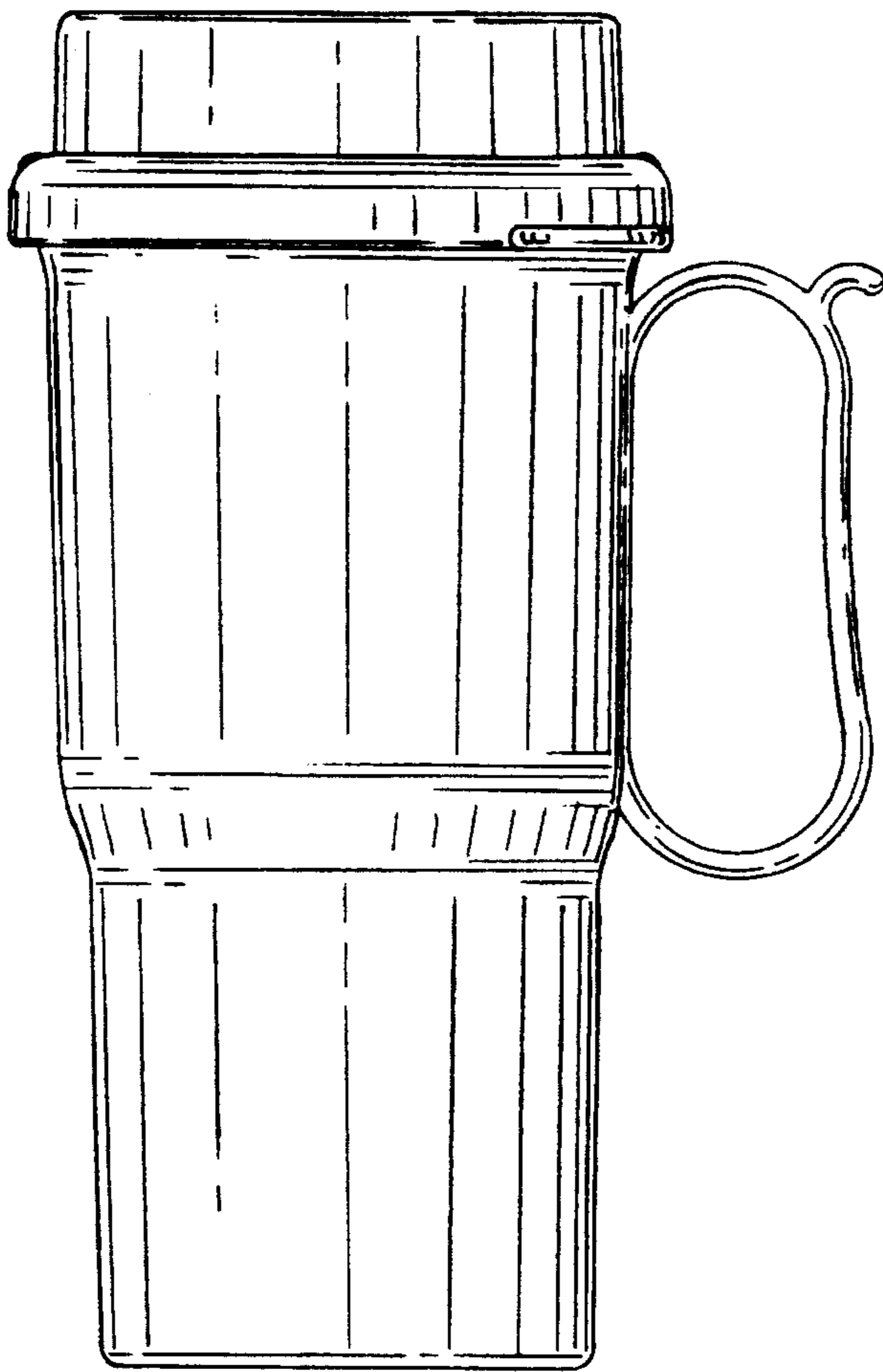


FIG. 3

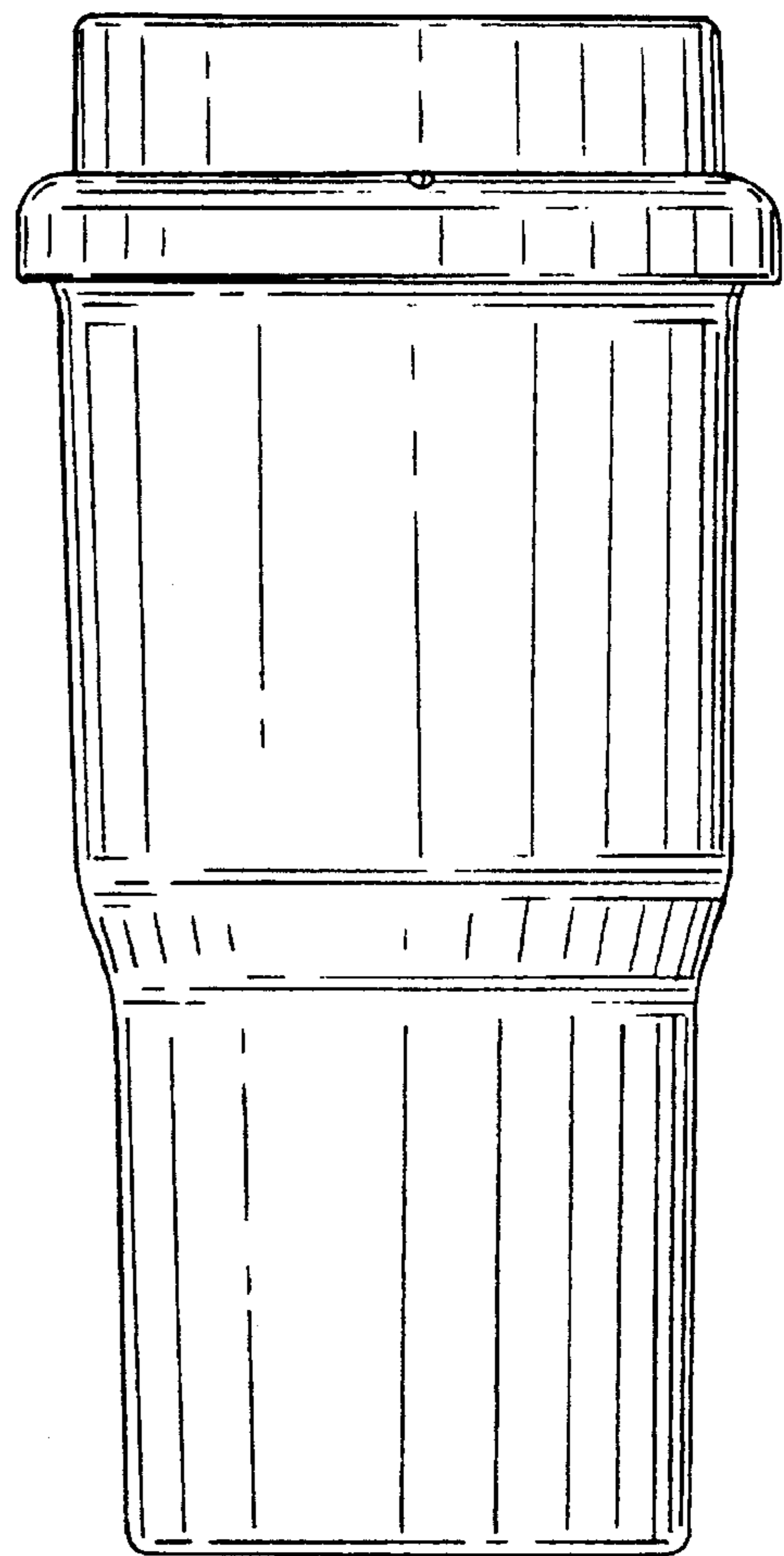


FIG. 4

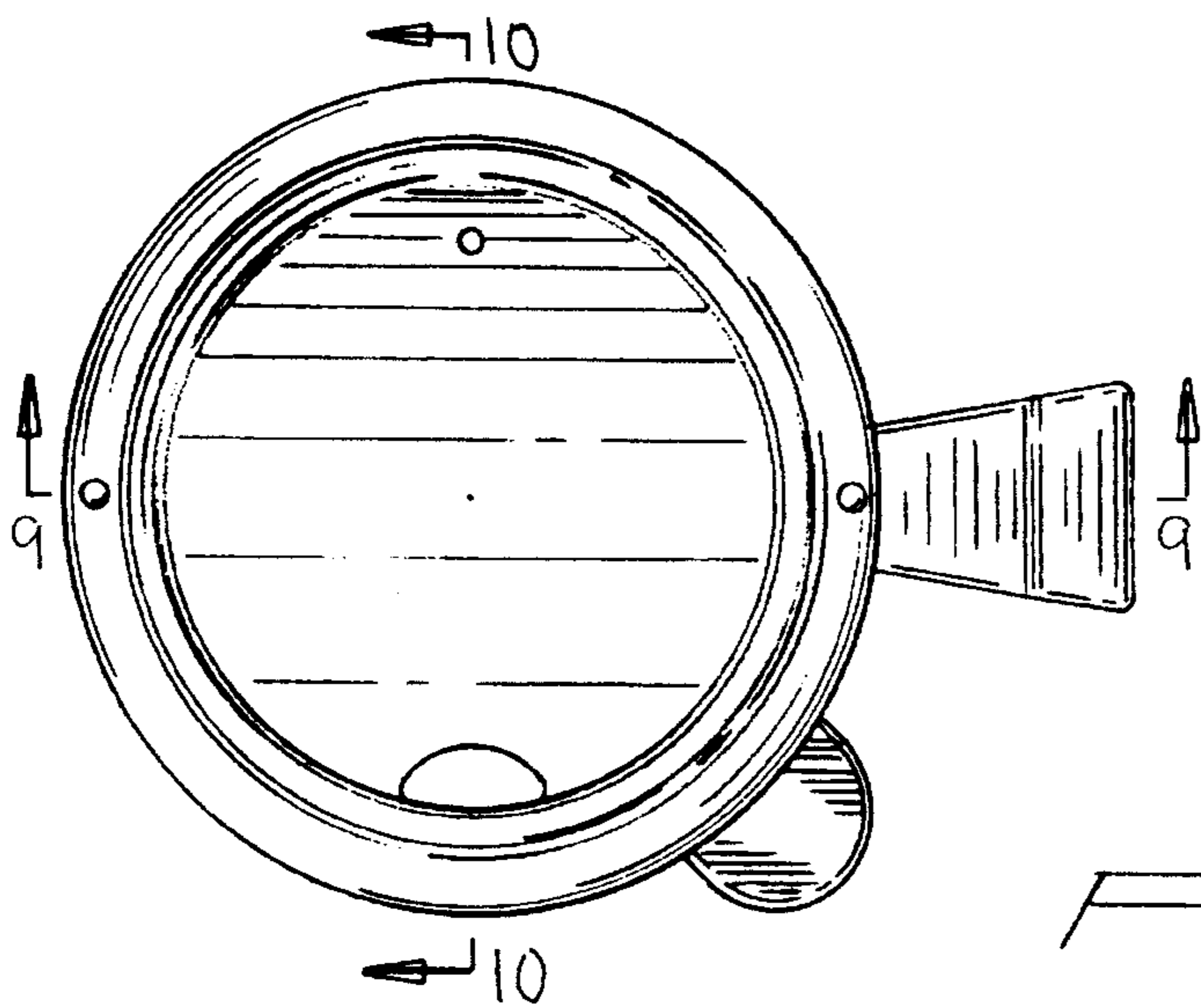


FIG. 5

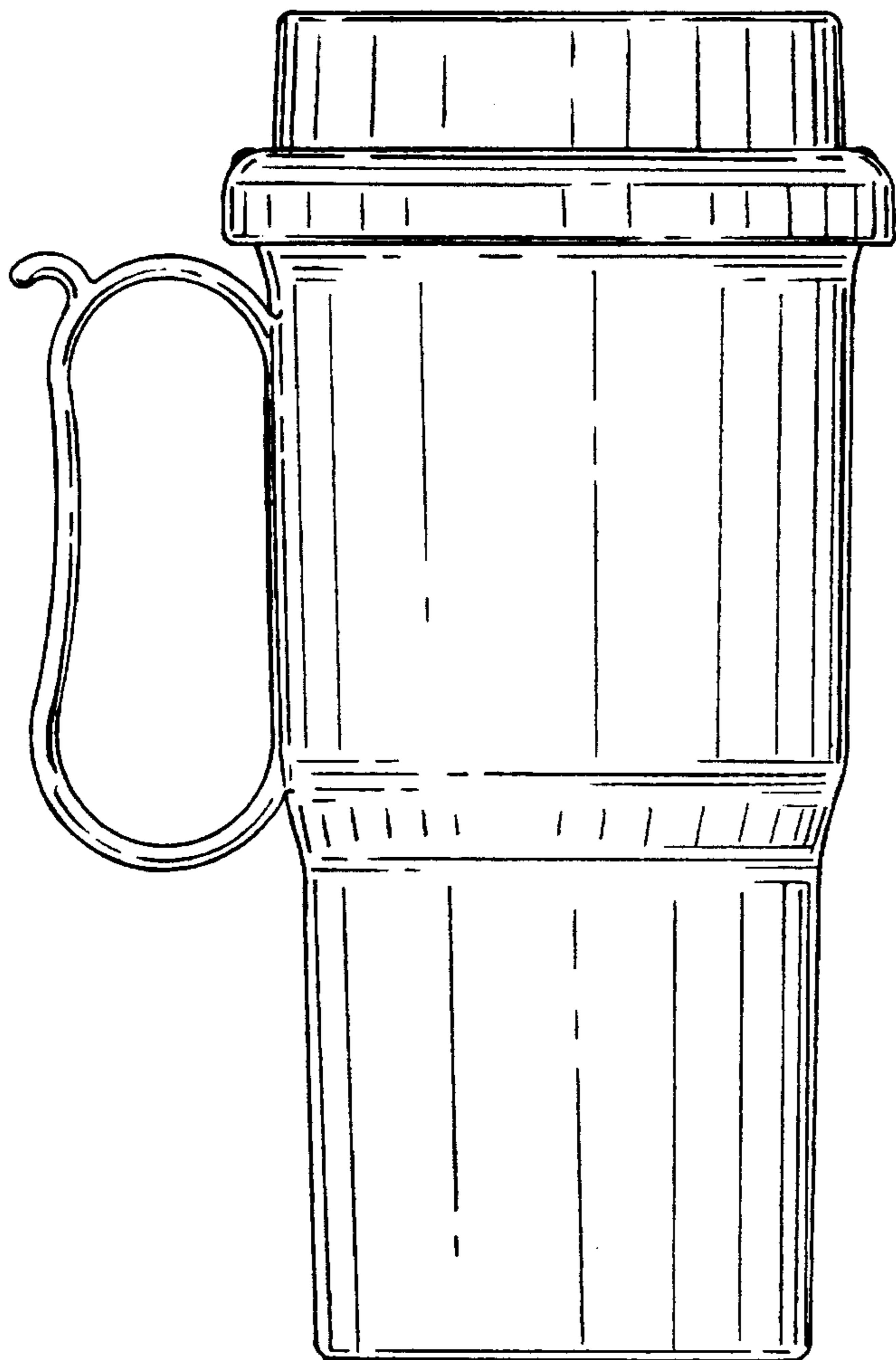


FIG. 6

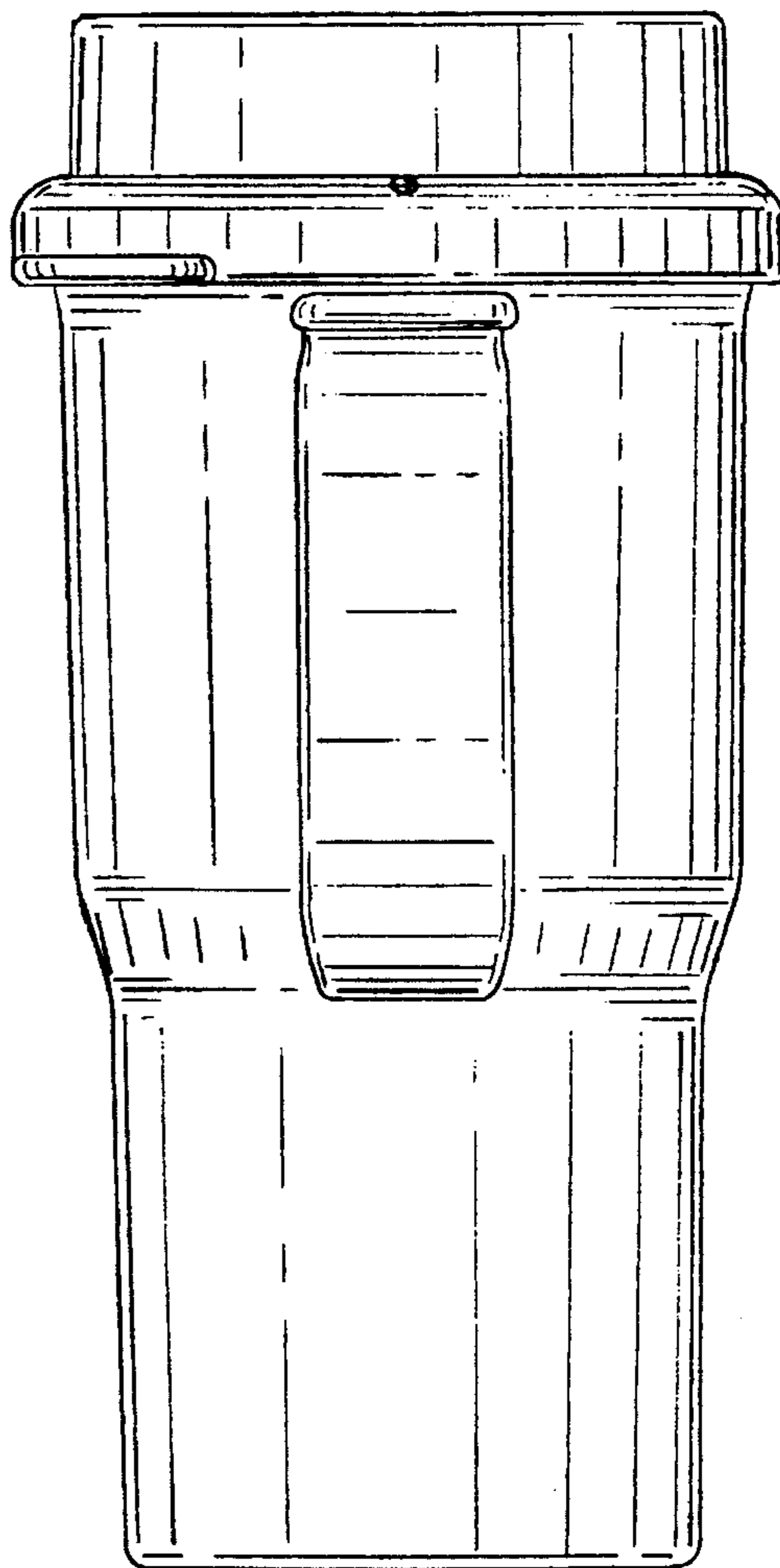


FIG. 7

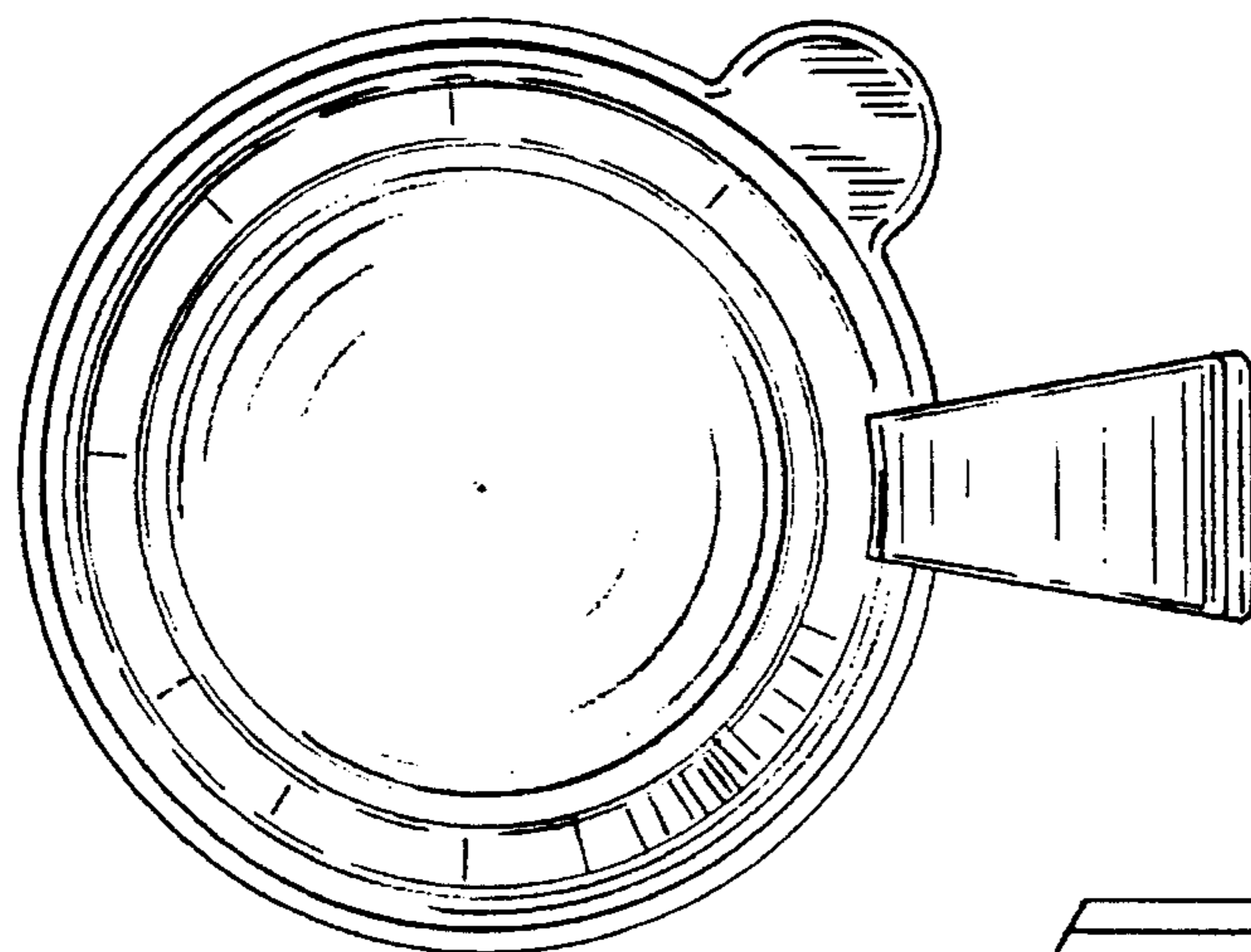


FIG. 8

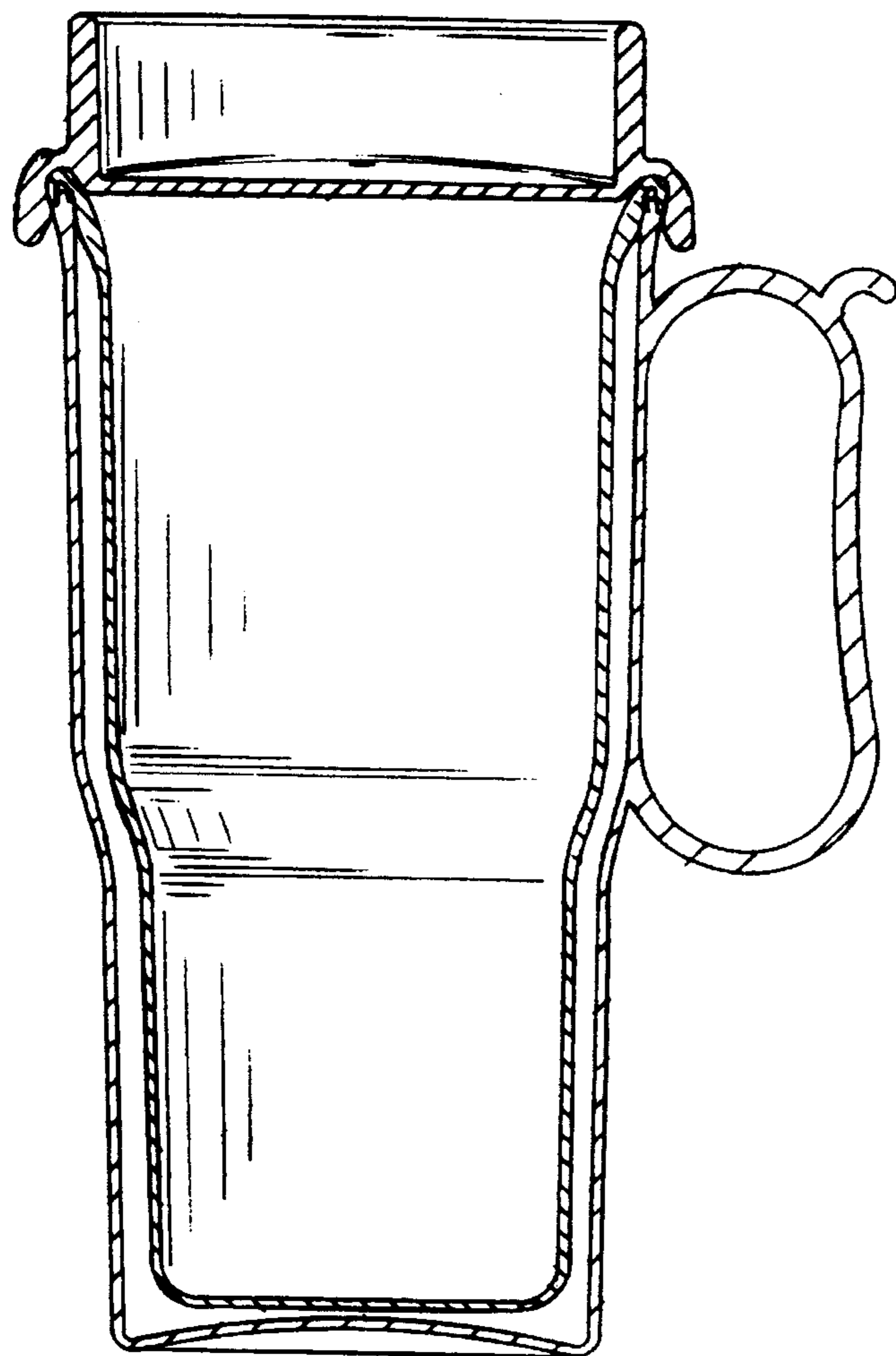


FIG. 9

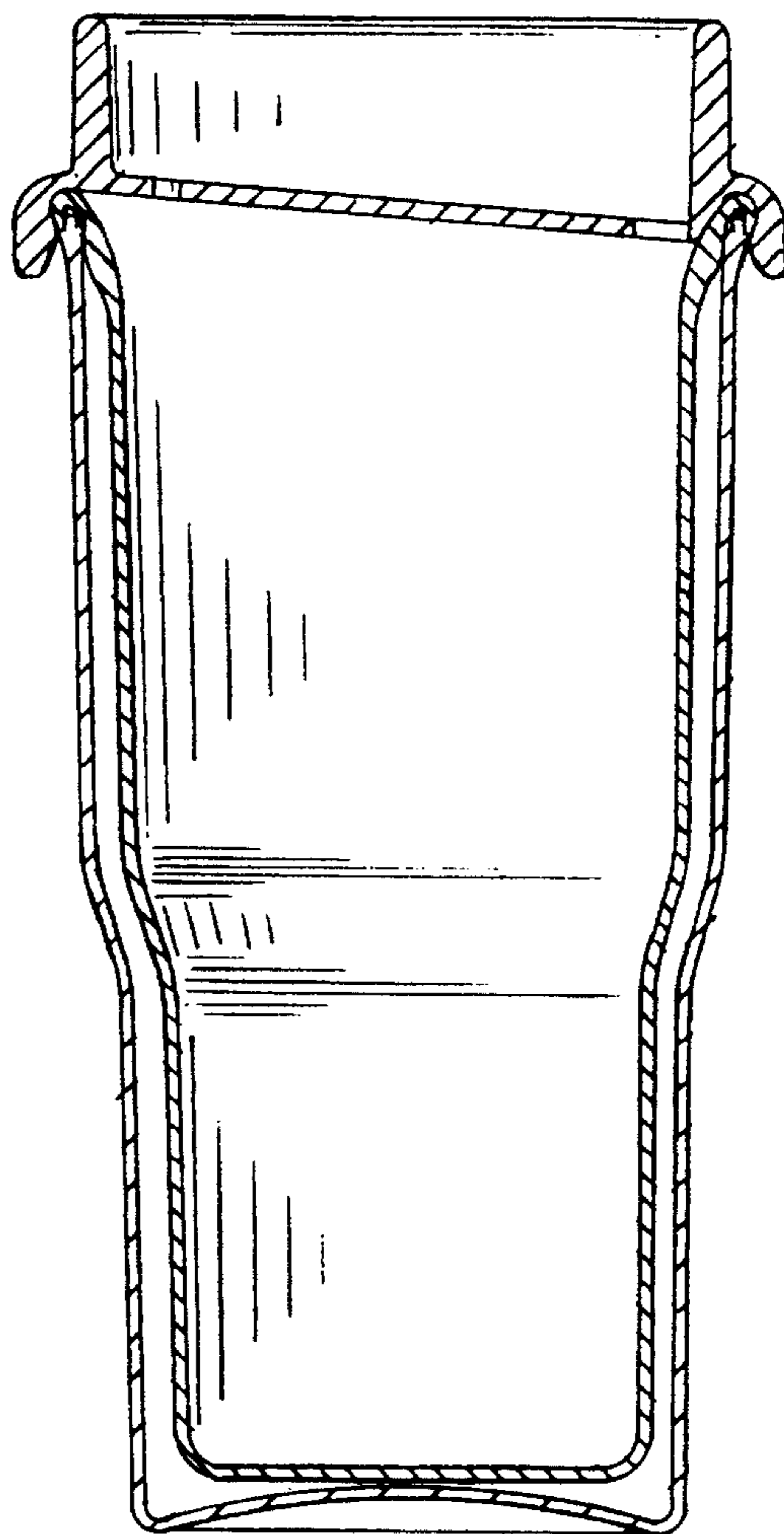


FIG. 10