



US00D372831S

United States Patent [19]

[11] Patent Number: **Des. 372,831**

Credle, Jr.

[45] Date of Patent: ****Aug. 20, 1996**

[54] HOUSING FOR A BEVERAGE DISPENSER

FOREIGN PATENT DOCUMENTS

[75] Inventor: **William S. Credle, Jr.**, Stone Mountain, Ga.

9402039 2/1994 WIPO D20/3

[73] Assignee: **The Coca-Cola Company**, Atlanta, Ga.

OTHER PUBLICATIONS

[**] Term: **14 Years**

REMCOR Dispenser, Restaurants and Institutions #SID-650A-80, p. 112 Spring 1988.

[21] Appl. No.: **39,732**

Primary Examiner—M. N. Pandozzi
Attorney, Agent, or Firm—Birch, Stewart, Kolasch & Birch

[22] Filed: **Jun. 5, 1995**

[57] CLAIM

[52] U.S. Cl. **D7/301**; D7/308; D7/392

The ornamental design of a housing for a beverage dispenser, as shown and described.

[58] Field of Search D7/301, 300, 311, D7/302, 303, 305, 306, 307, 308, 589, 390, 313, 392, 397; 222/78, 129.1, 129.2, 129.3, 129.4; D20/3; D9/307

DESCRIPTION

[56] References Cited

U.S. PATENT DOCUMENTS

| | | | |
|------------|---------|---------------------|-----------|
| D. 63,657 | 12/1923 | Root . | |
| D. 78,870 | 6/1929 | Wohl | D7/301 |
| D. 82,798 | 12/1930 | Crosby . | |
| D. 87,246 | 6/1932 | Wagner . | |
| D. 91,479 | 2/1934 | Du Par | D7/301 |
| D. 169,793 | 6/1953 | Sieling | D7/301 X |
| D. 174,237 | 3/1955 | Sieling | D7/301 |
| D. 271,877 | 12/1983 | Hoff | D7/313 X |
| D. 275,924 | 10/1984 | Andrews, Jr. | D7/306 X |
| D. 314,418 | 2/1991 | Friesen | D7/301 X |
| D. 323,267 | 1/1992 | Bidwell . | |
| D. 338,137 | 8/1993 | Ochs . | |
| D. 347,362 | 5/1994 | Redmon . | |
| D. 349,218 | 8/1994 | Evans . | |
| D. 355,793 | 2/1995 | Flum . | |
| D. 362,581 | 9/1995 | Rogers | D7/300 X |
| 4,699,282 | 10/1987 | Farrar . | |
| 5,305,924 | 4/1994 | Groover et al. | 222/129.1 |

FIG. 1 is a top, left, front perspective view of a housing for a beverage dispenser showing our new design;

FIG. 2 is a front elevational view of the housing for a beverage dispenser of FIG. 1;

FIG. 3 is a top plan view of the housing for a beverage dispenser of FIG. 1;

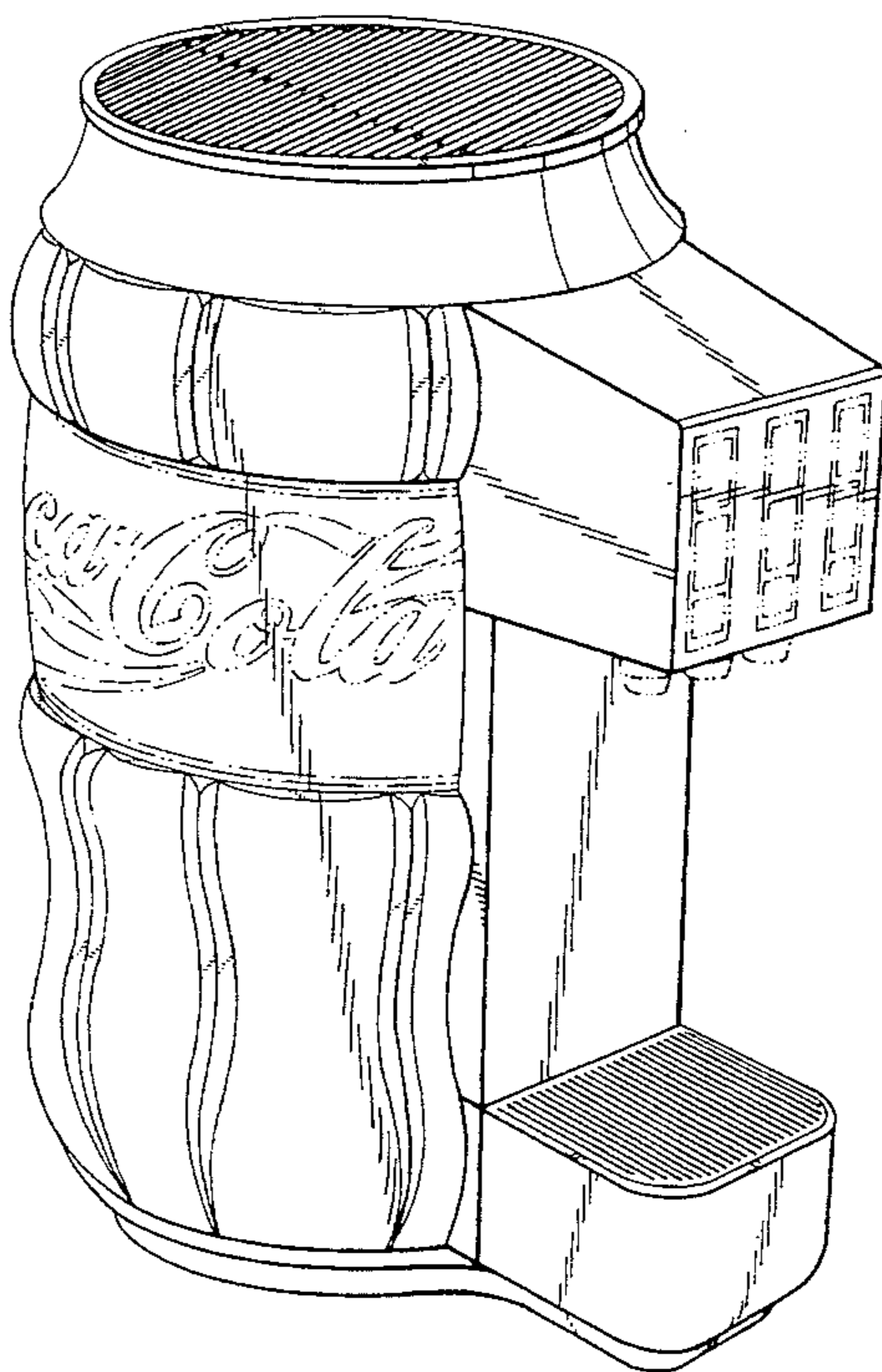
FIG. 4 is a rear elevational view of the housing for a beverage dispenser of FIG. 1;

FIG. 5 is a bottom plan view of the housing for a beverage dispenser of FIG. 1; and,

FIG. 6 is a left side elevational view of a the housing for a beverage dispenser of FIG. 1, the right side elevational view being a mirror image thereof.

The broken line showing of a control panel pads, three spouts, and "Coca Cola" lettering in FIGS. 1 and 2, the "Coca Cola" lettering in FIG. 4, and the "Coca Cola" lettering and spout in FIG. 6 are for illustrative purposes only and forms no part of the claimed design.

1 Claim, 4 Drawing Sheets



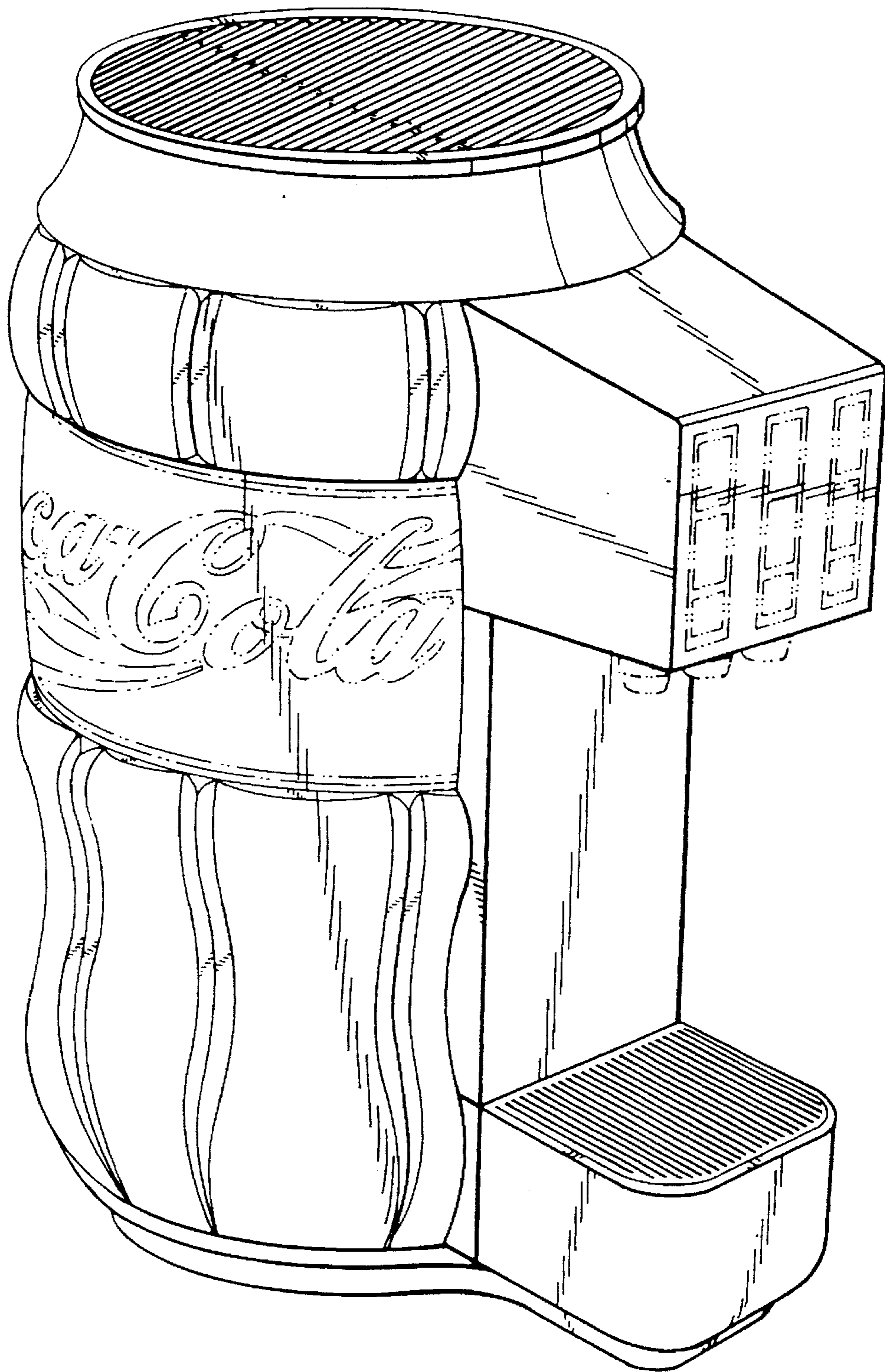


FIG 1

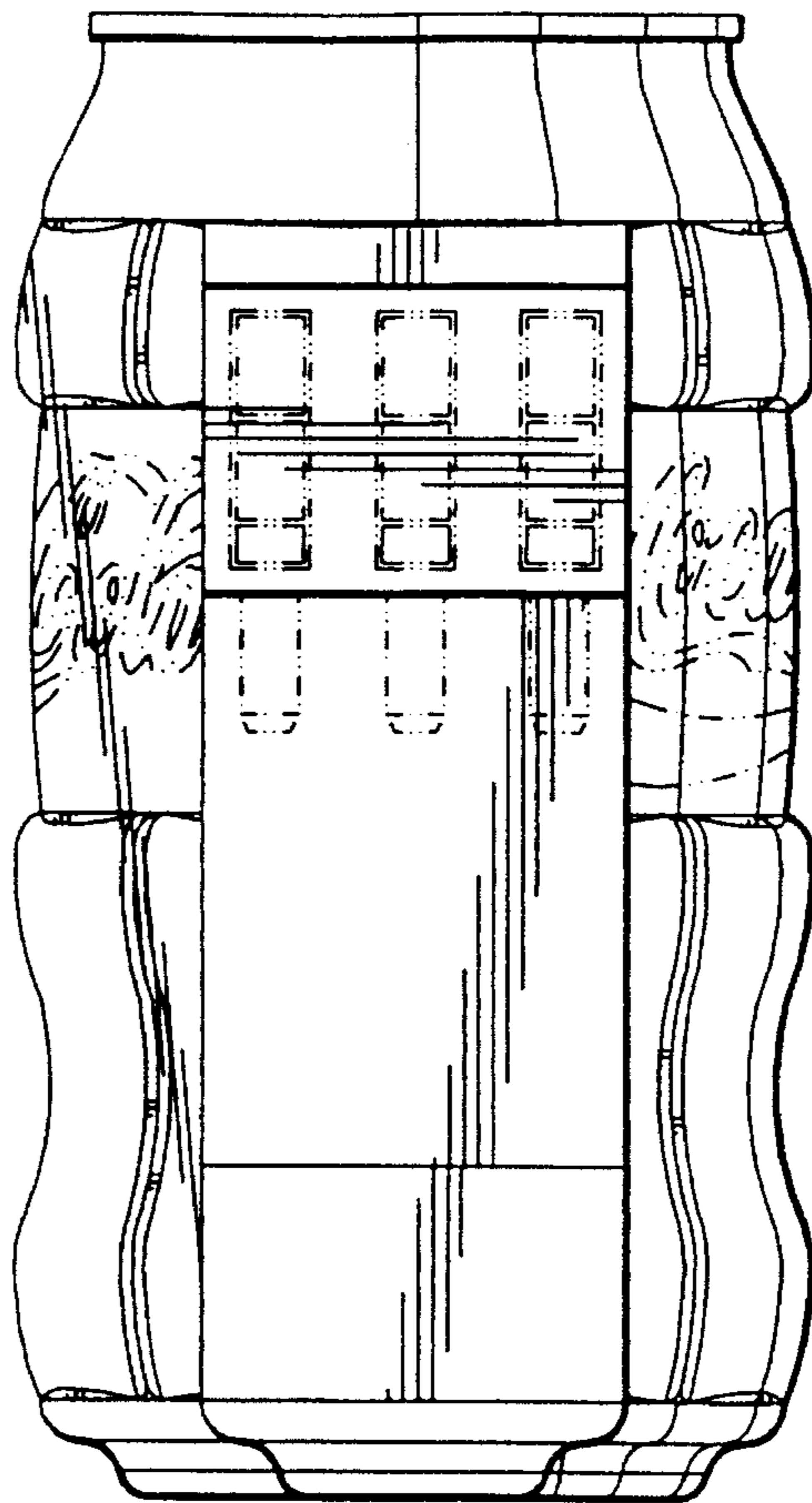


FIG 2

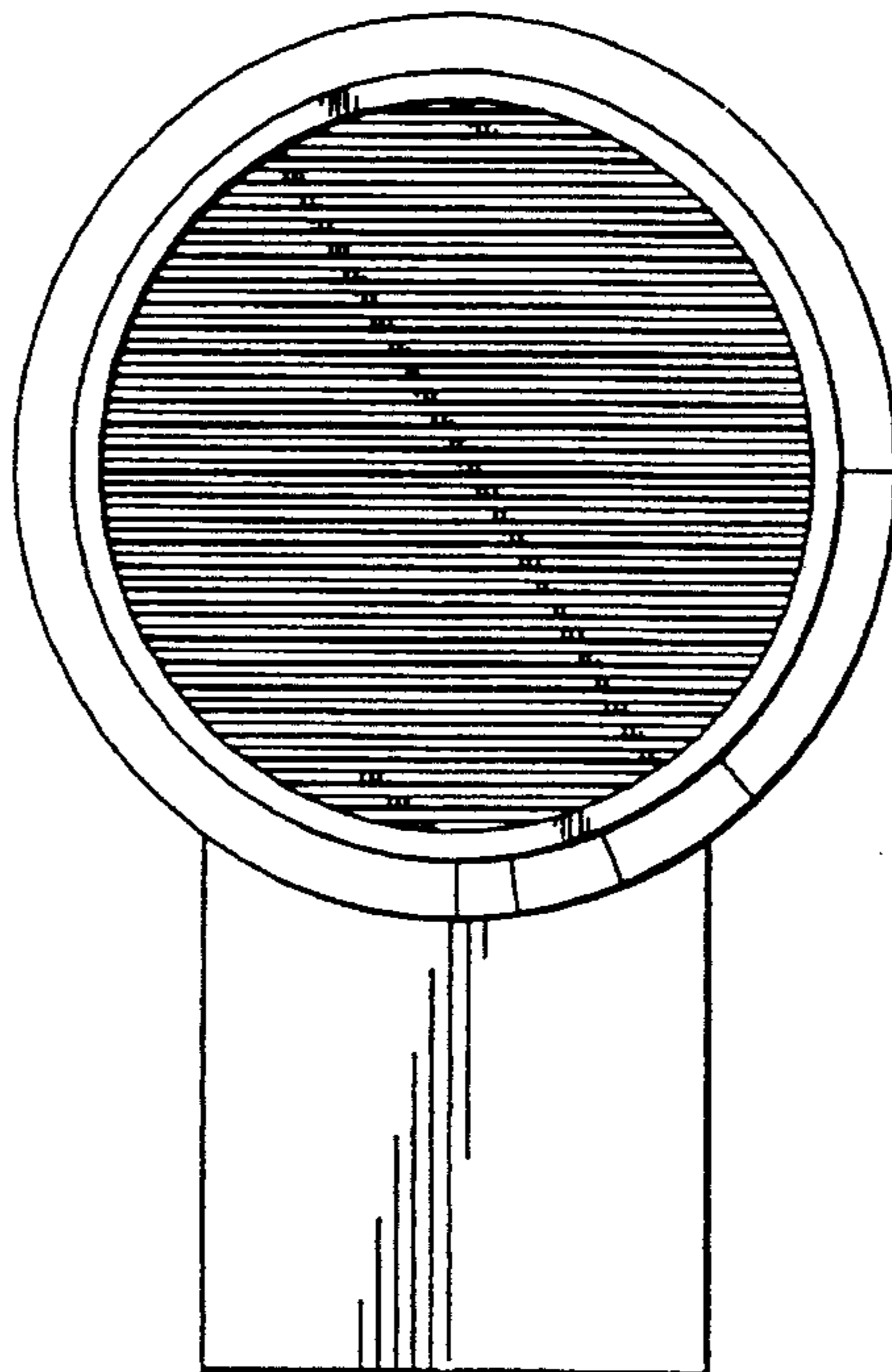


FIG 3

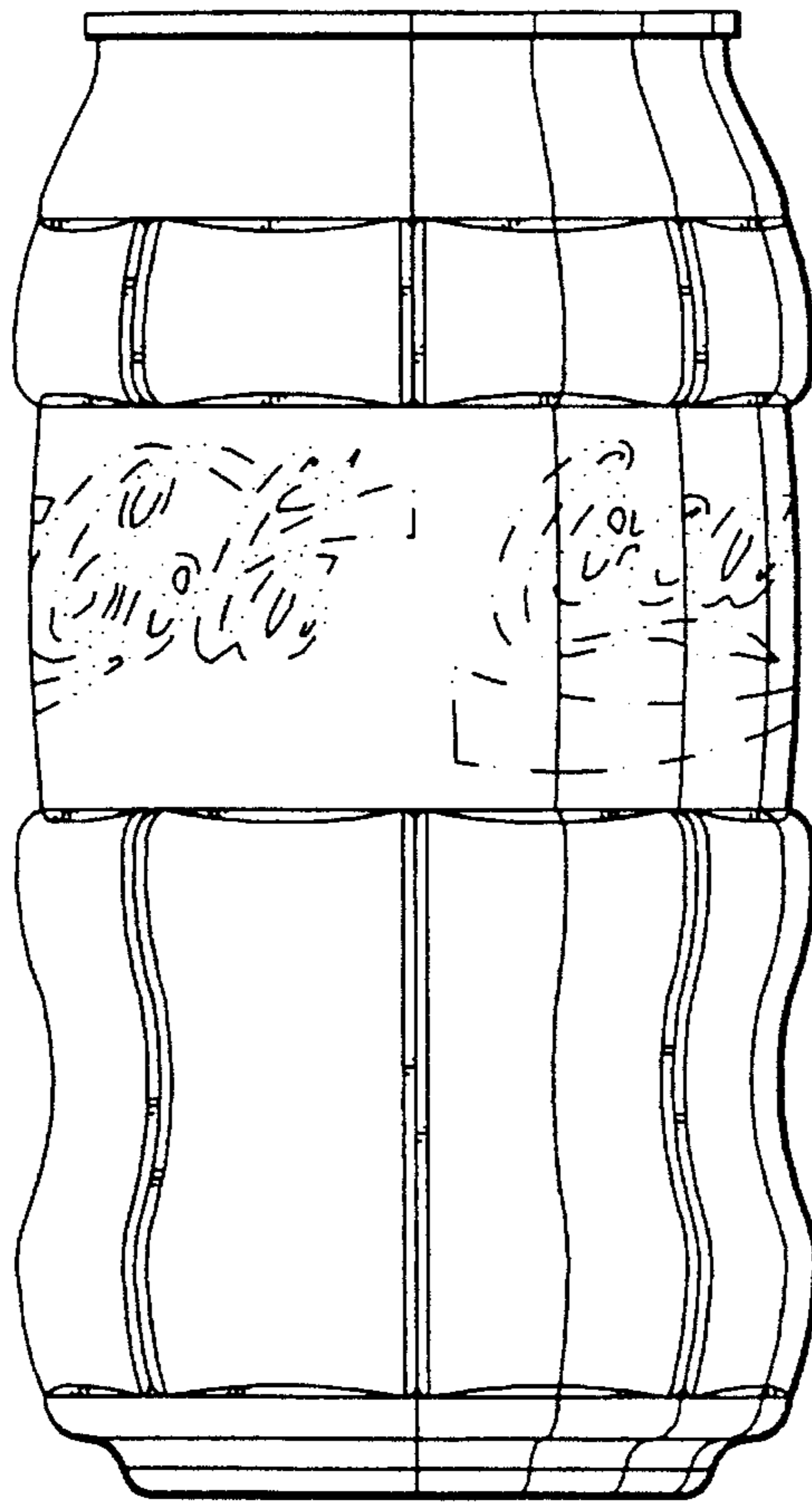


FIG 4

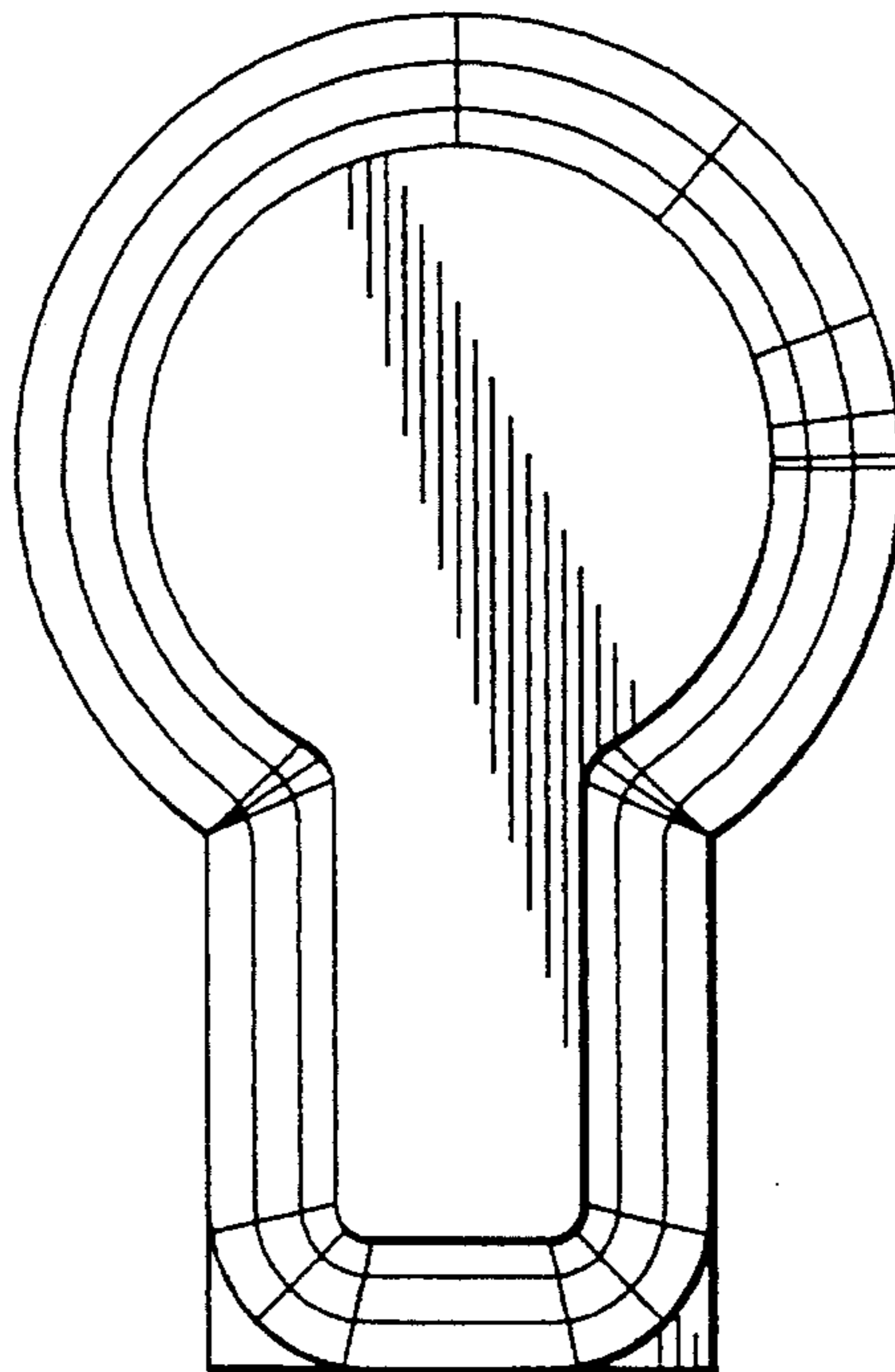


FIG 5

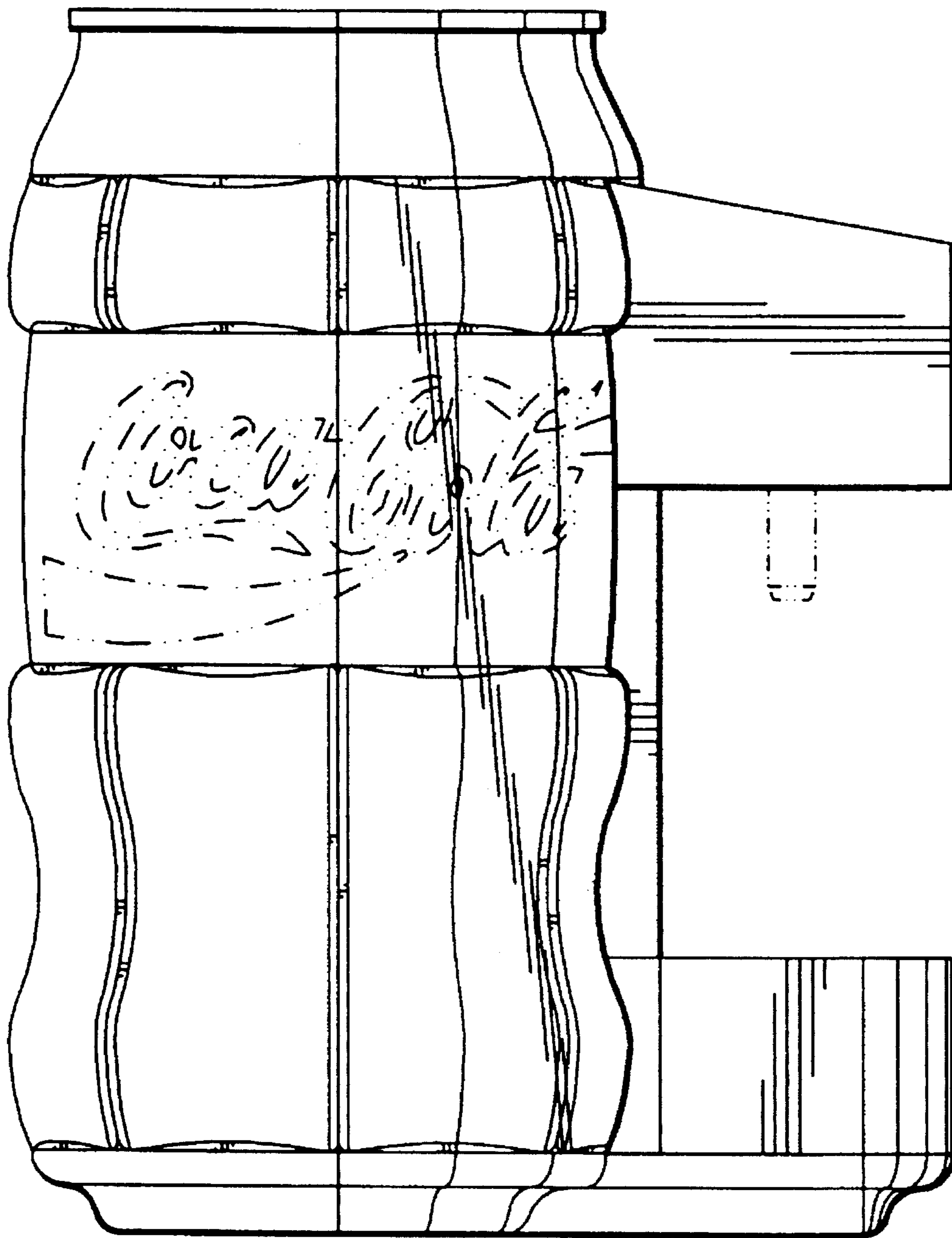


FIG 6