



US00D372829S

United States Patent [19]

[11] Patent Number: **Des. 372,829**

Sircy

[45] Date of Patent: ****Aug. 20, 1996**

[54] SEAT CUSHION

Primary Examiner—Lisa P. Lichtenstein
Attorney, Agent, or Firm—Michael E. McKee

[76] Inventor: **Mark L. Sircy**, 575 Anchor Dr., Lenoir City, Tenn. 37771

[57] CLAIM

[**] Term: **14 Years**

The ornamental design for a seat cushion, as shown and described.

[21] Appl. No.: **40,614**

DESCRIPTION

[22] Filed: **Jun. 22, 1995**

[52] U.S. Cl. **D6/601**; D6/596

[58] Field of Search D6/500-502, 595,
D6/596, 601; 297/188.01; 5/453, 652, 653,
656, 462, 448

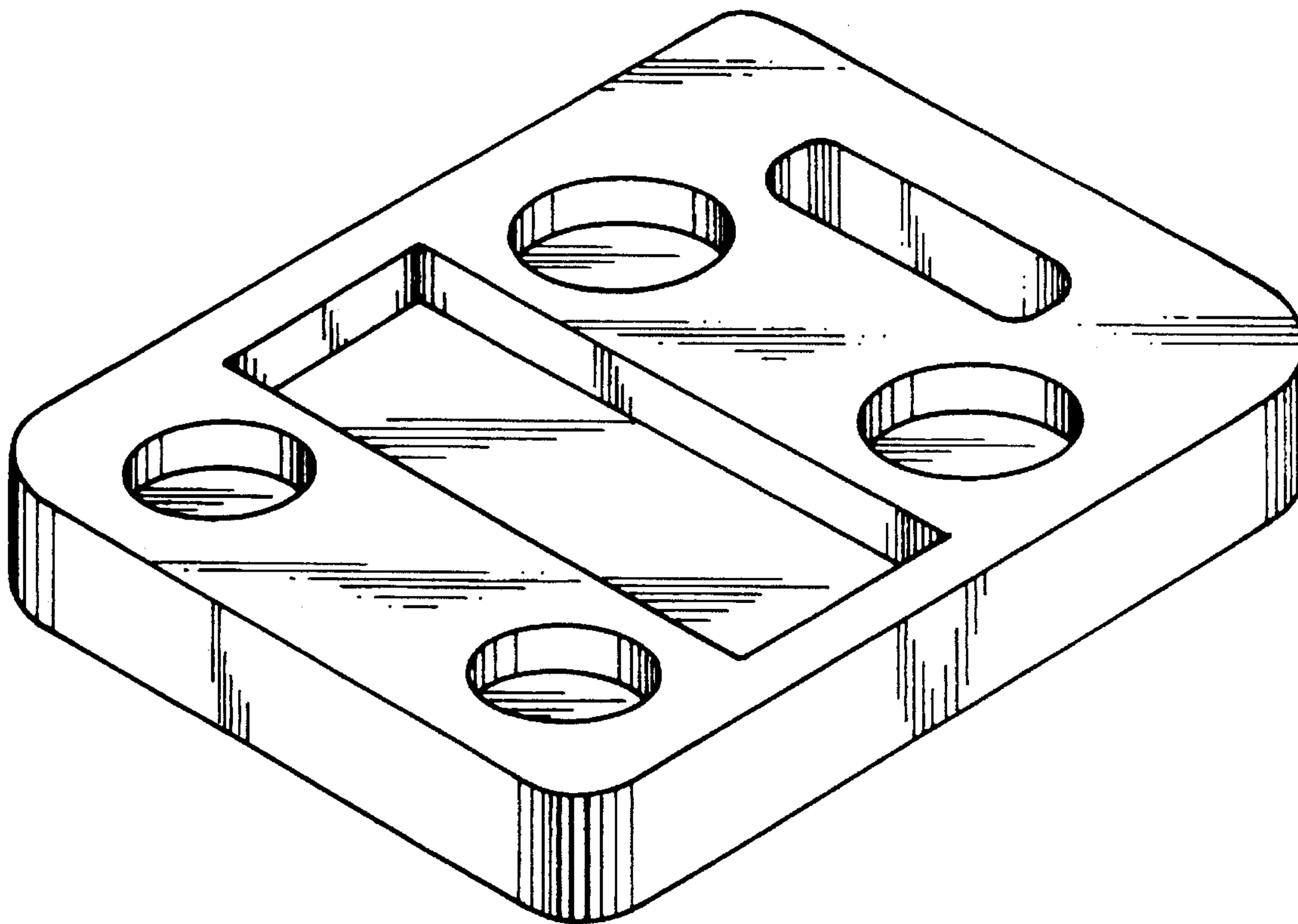
FIG. 1 is a plan view of a seat cushion, shown from the top and showing my new design;
FIG. 2 is a bottom plan view thereof;
FIG. 3 is a right side elevational view thereof, the opposite left side being a mirror image;
FIG. 4 is a front elevational view thereof, the opposite rear view being a mirror image;
FIG. 5 is a cross-sectional view thereof taken about line 5—5 of FIG. 1;
FIG. 6 is a cross-sectional view thereof taken about line 6—6 of FIG. 2; and,
FIG. 7 is a perspective view thereof.

[56] References Cited

U.S. PATENT DOCUMENTS

D. 273,926	5/1984	Byrns et al.	D6/335
D. 328,402	8/1992	Christensen	D6/601
2,933,738	4/1960	Whelan	5/630
4,596,384	6/1986	Blosser	5/465
4,856,844	8/1989	Isono	297/284.6

1 Claim, 2 Drawing Sheets



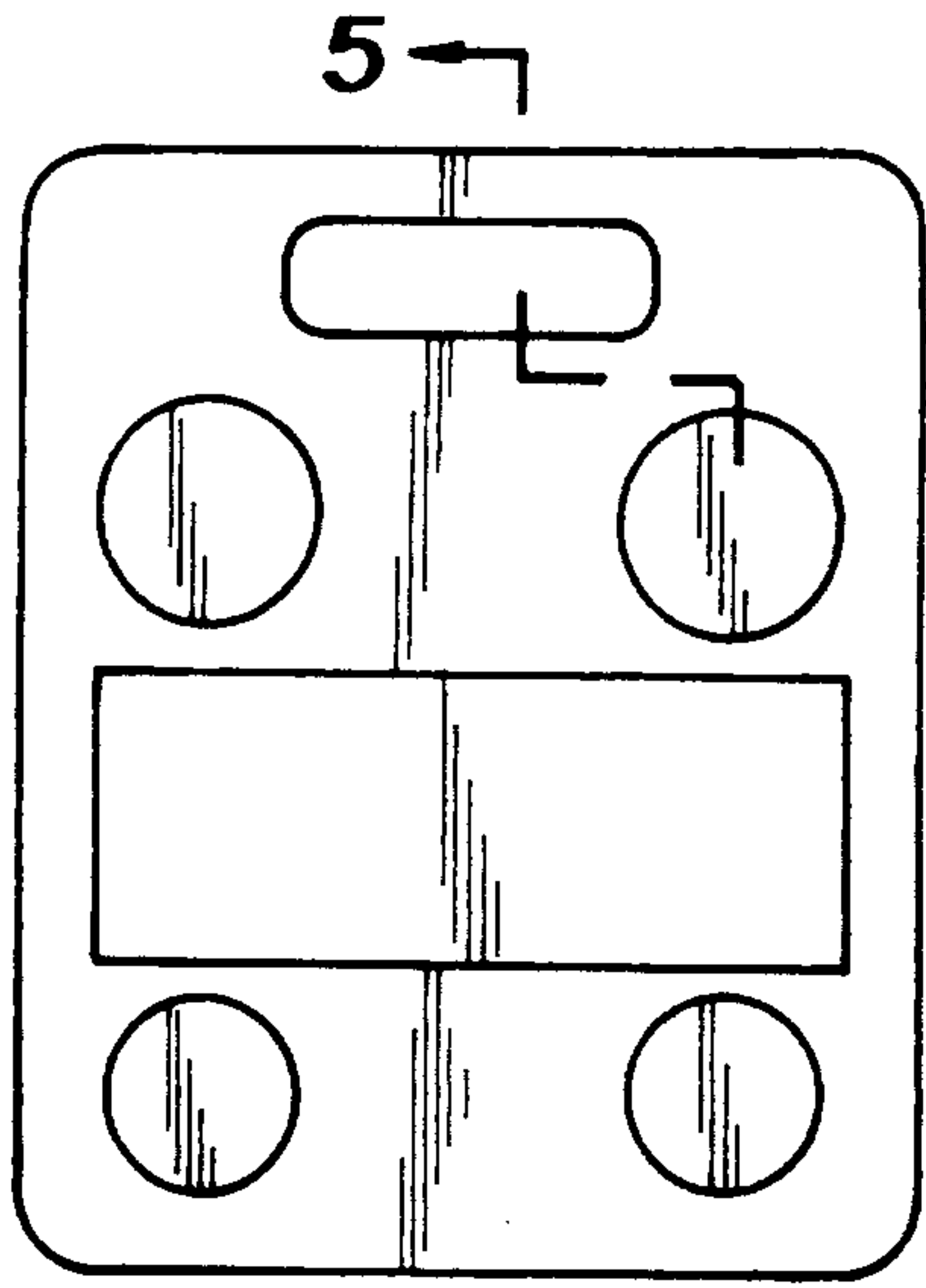


Fig. 1

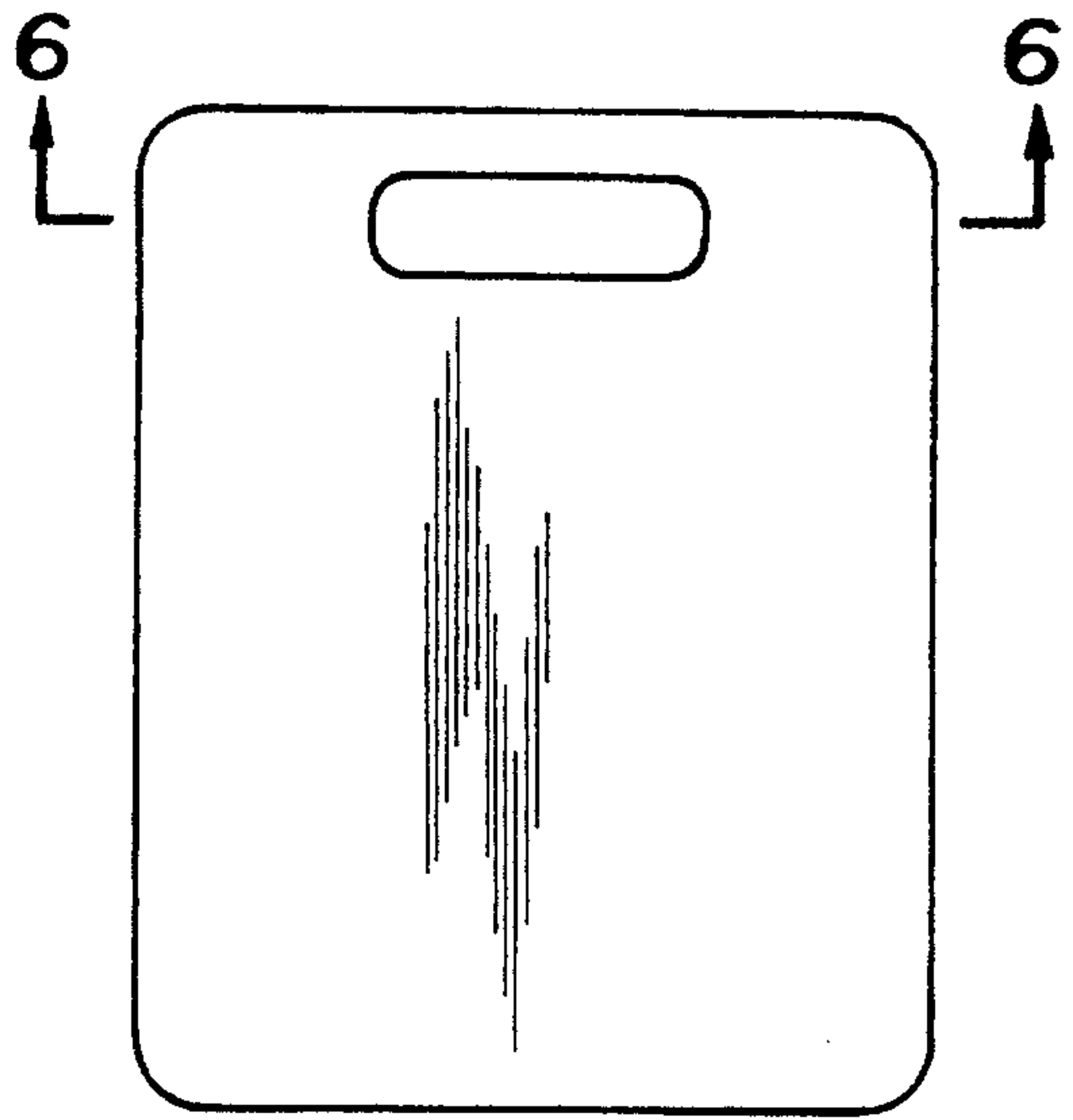


Fig. 2



Fig. 3



Fig. 4



Fig. 5



Fig. 6

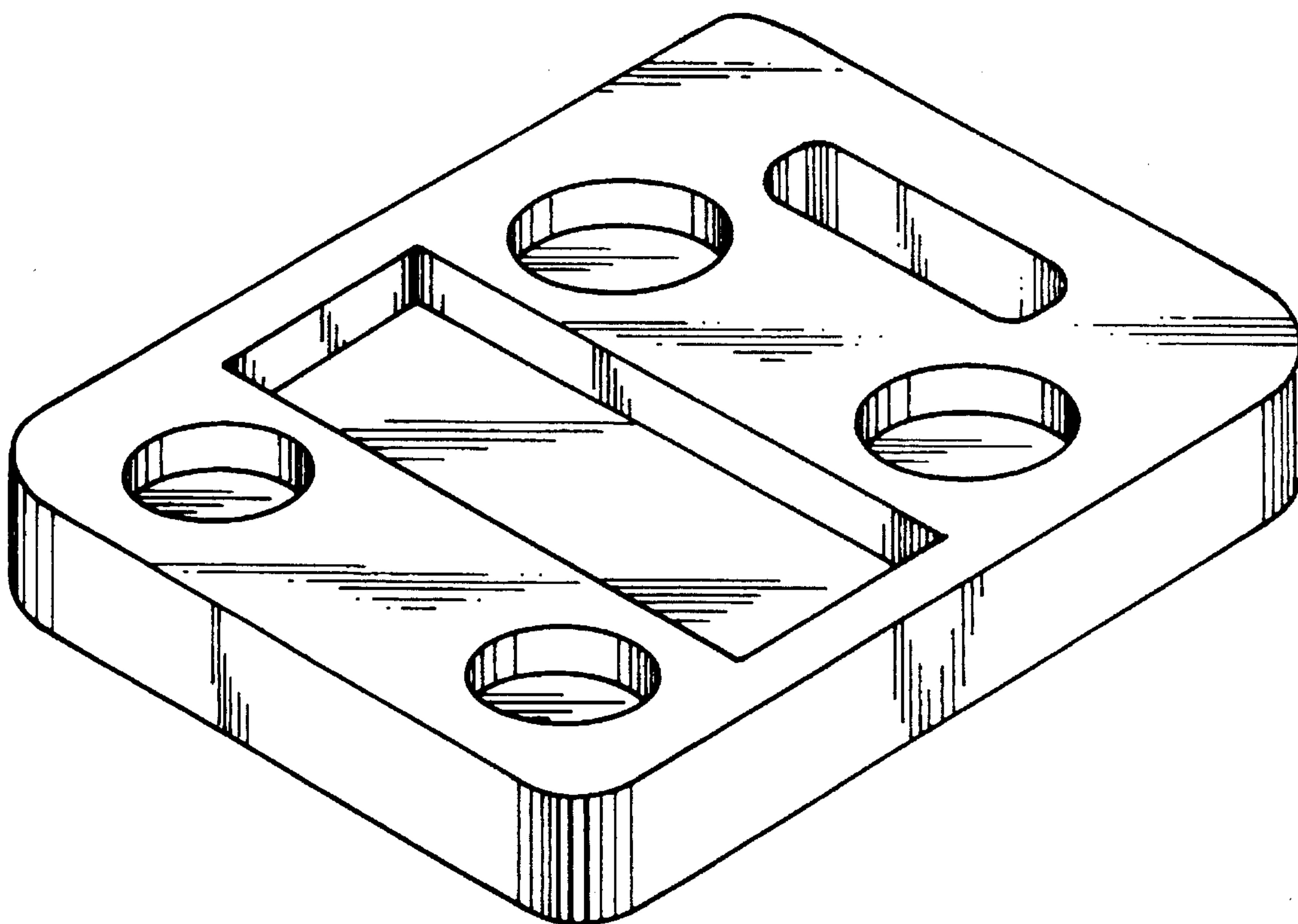


Fig. 7