



US00D372827S

United States Patent [19]

Roche et al.

[11] Patent Number: **Des. 372,827**

[45] Date of Patent: ****Aug. 20, 1996**

[54] **WALL-MOUNTABLE RACK FOR BRUSHES, BROOMS AND CLEANING MATERIALS**

D. 347,538	6/1994	Fleischer	D6/567
2,974,804	3/1961	Maro	211/60.1
3,187,902	6/1965	Nelson	211/70.6

[75] Inventors: **Roderick C. Roche**, Enniskerry; **Niall A. O'Sullivan**, Dublin; **Colin A. Deevy**, Dublin; **Brendan A. Rankin**, Dublin, all of Ireland

Primary Examiner—Brian N. Vinson
Attorney, Agent, or Firm—Frank P. Presta, Esq.

[73] Assignee: **Kerry Gardens Limited**, Cork, Ireland

[**] Term: **14 Years**

[57] **CLAIM**

The ornamental design for a wall-mountable rack for brushes, brooms, and cleaning materials, as shown and described.

[21] Appl. No.: **15,674**

DESCRIPTION

[22] Filed: **Nov. 24, 1993**

[52] U.S. Cl. **D6/567**

[58] Field of Search D6/552, 553, 567, D6/572, 574; 211/60.1, 70.6, 65-66, 68, 20.7

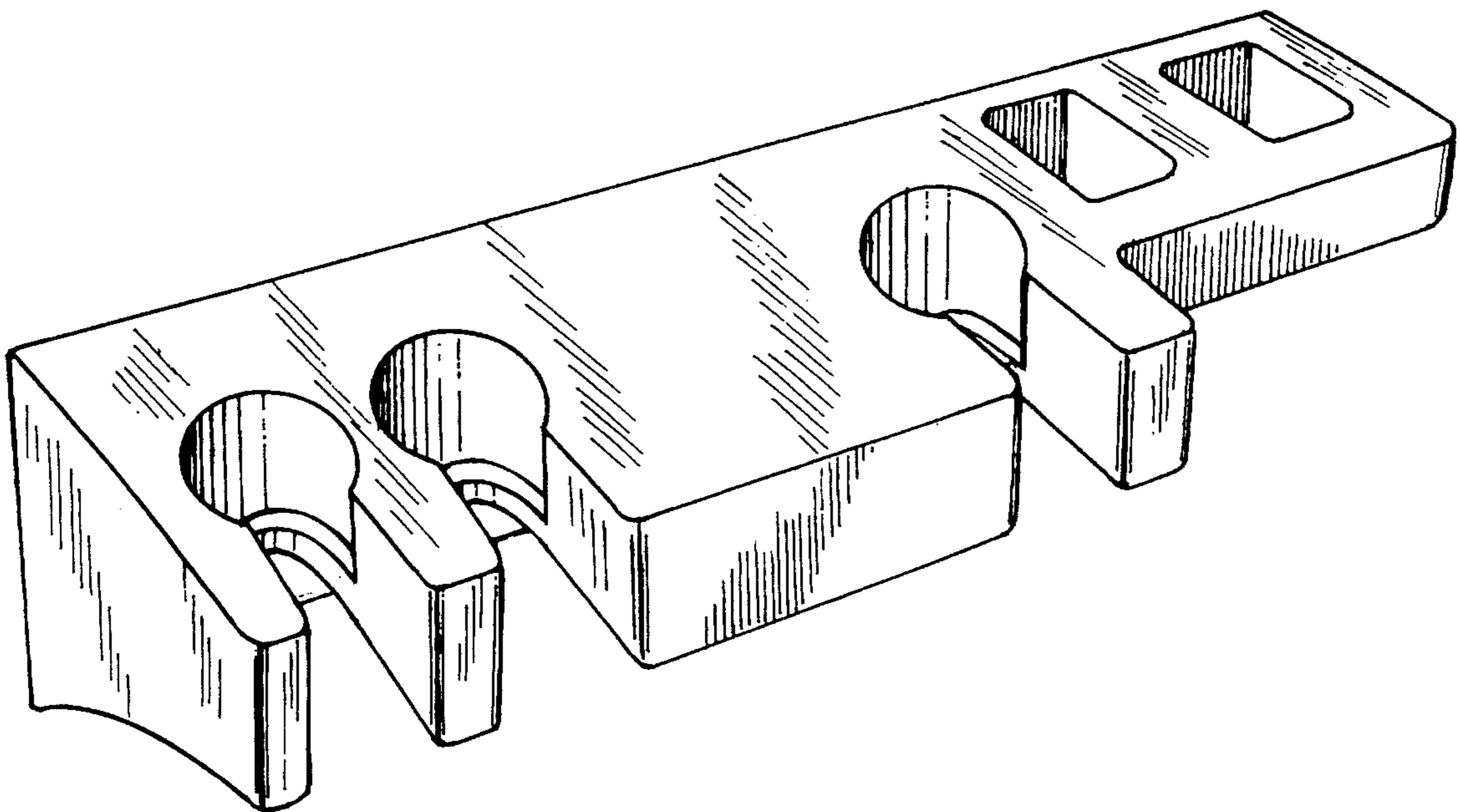
FIG. 1 is a top, front, and left side perspective view of a wall-mountable rack for brushes, brooms, and cleaning material showing our new design; FIG. 2 is a top, rear, and right side perspective view thereof; FIG. 3 is a front elevational view thereof; FIG. 4 is a rear elevational view thereof; FIG. 5 is a top plan view thereof; FIG. 6 is a bottom plan view thereof; FIG. 7 is a left side elevational view thereof; and, FIG. 8 is a right side elevational view thereof.

[56] **References Cited**

U.S. PATENT DOCUMENTS

D. 267,744	1/1983	Flynn	D6/574 X
D. 309,687	8/1990	Embree et al.	D6/574 X
D. 340,607	10/1993	Hubbard	D6/574 X

1 Claim, 7 Drawing Sheets



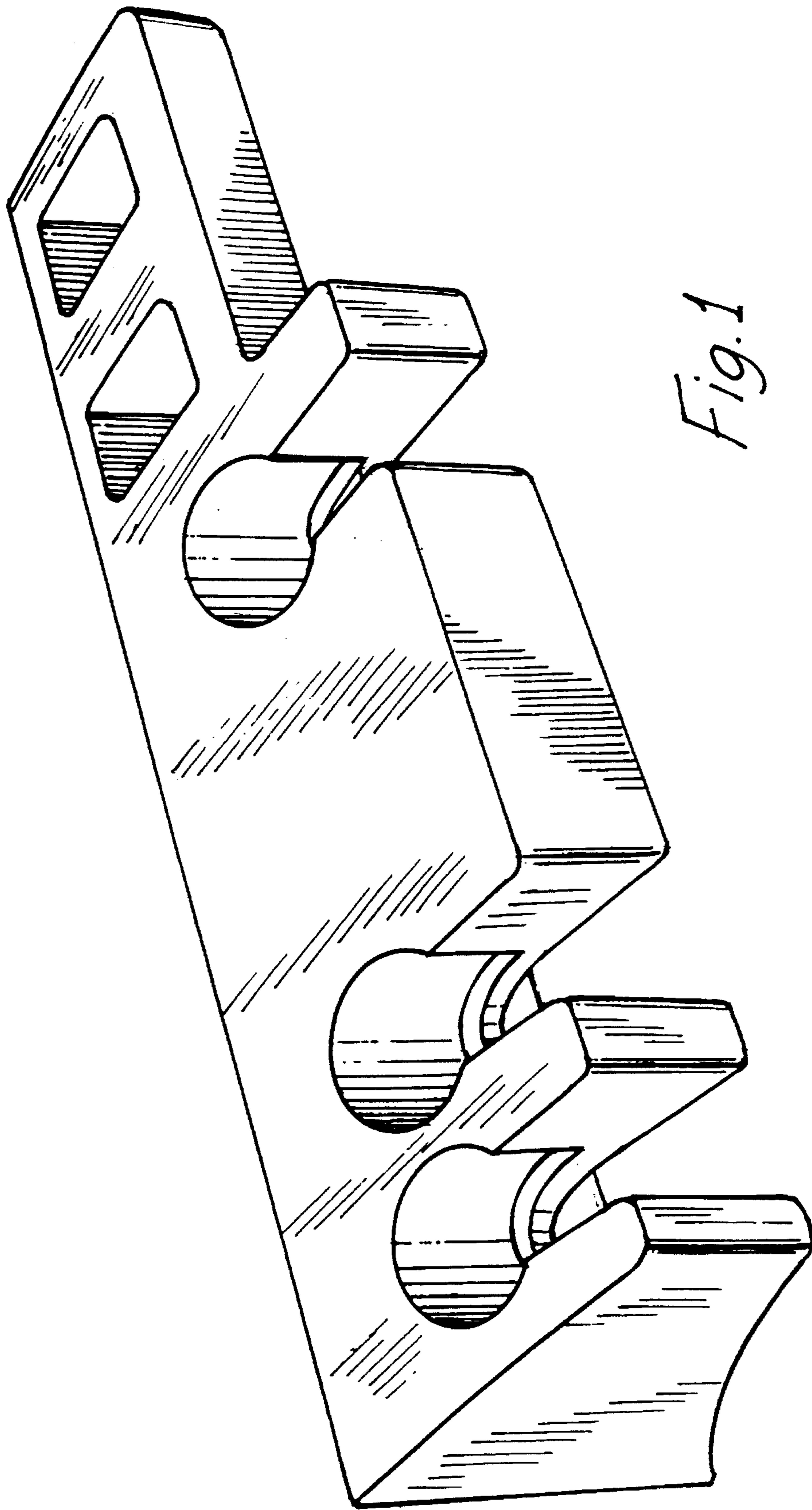


Fig. 1

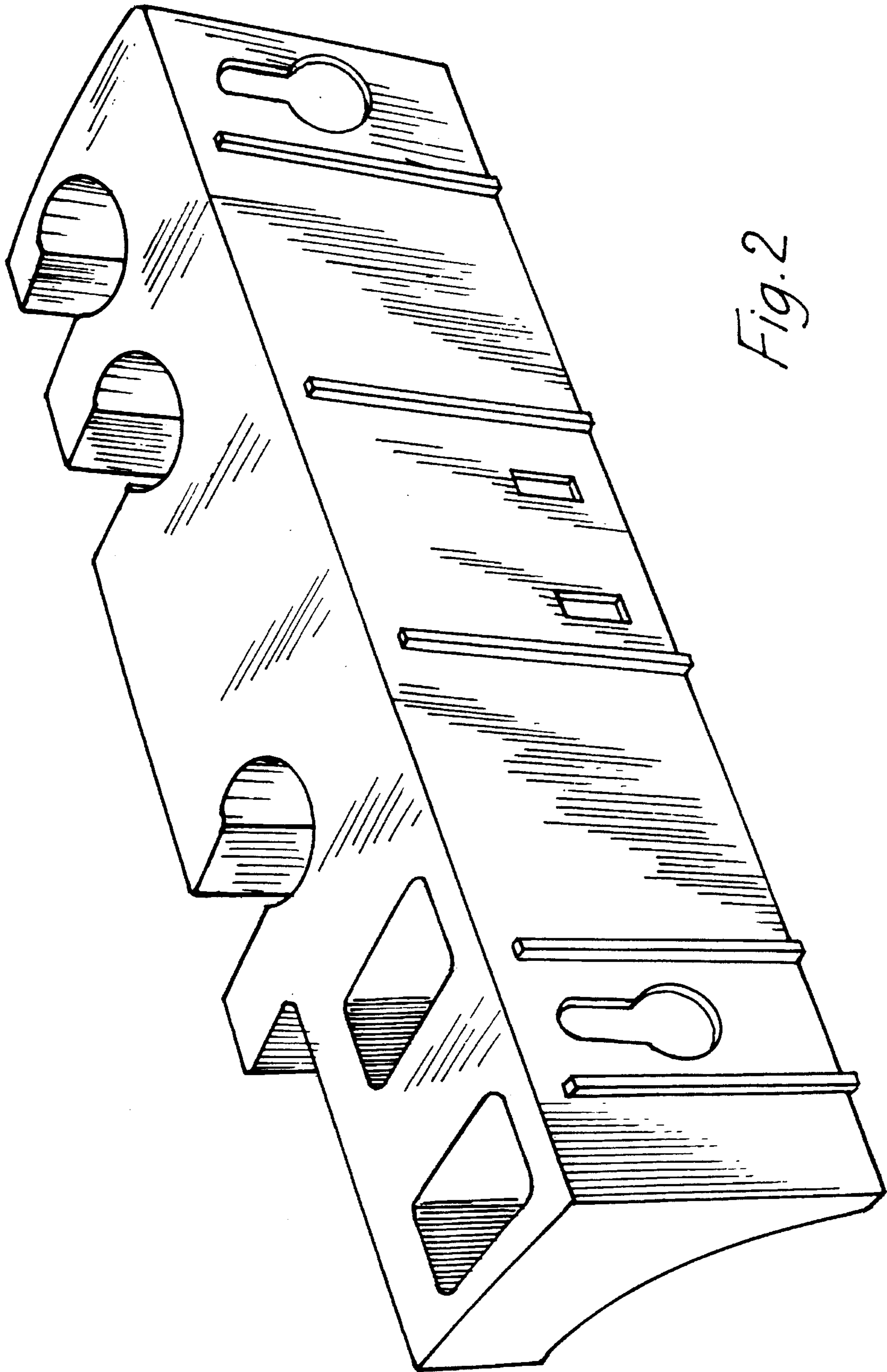


Fig. 2

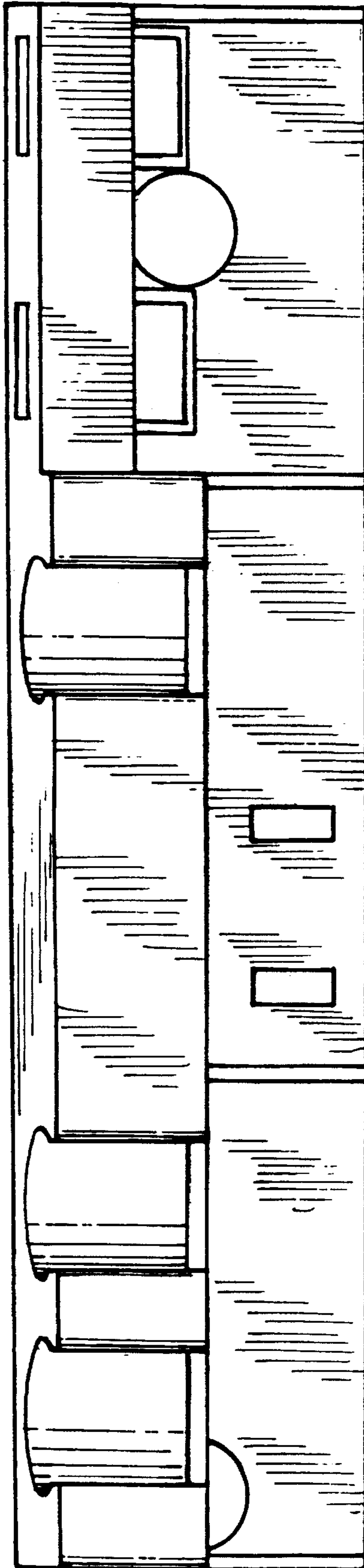


Fig. 3

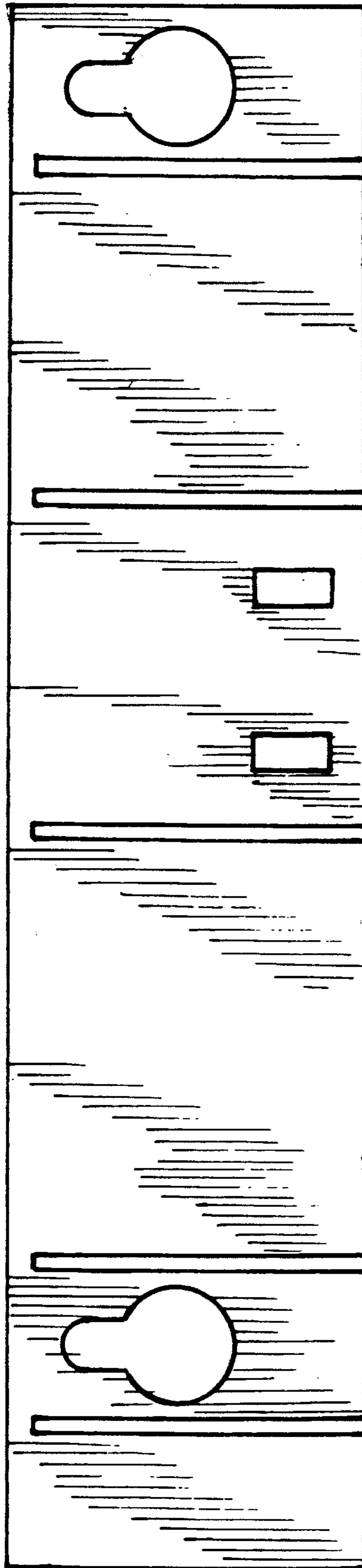


Fig. 4

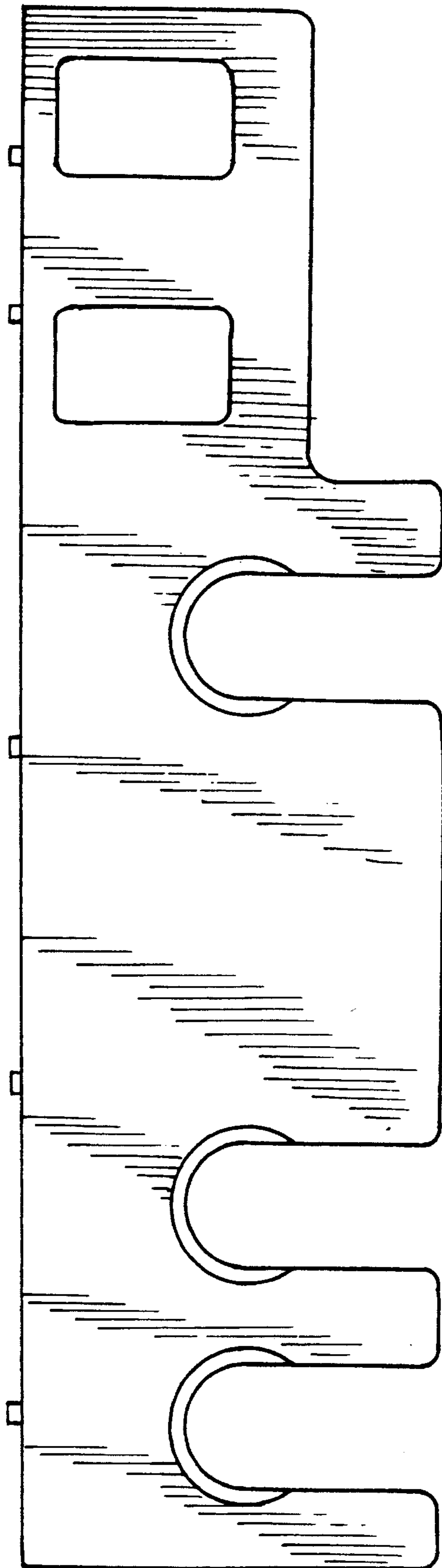


Fig. 5

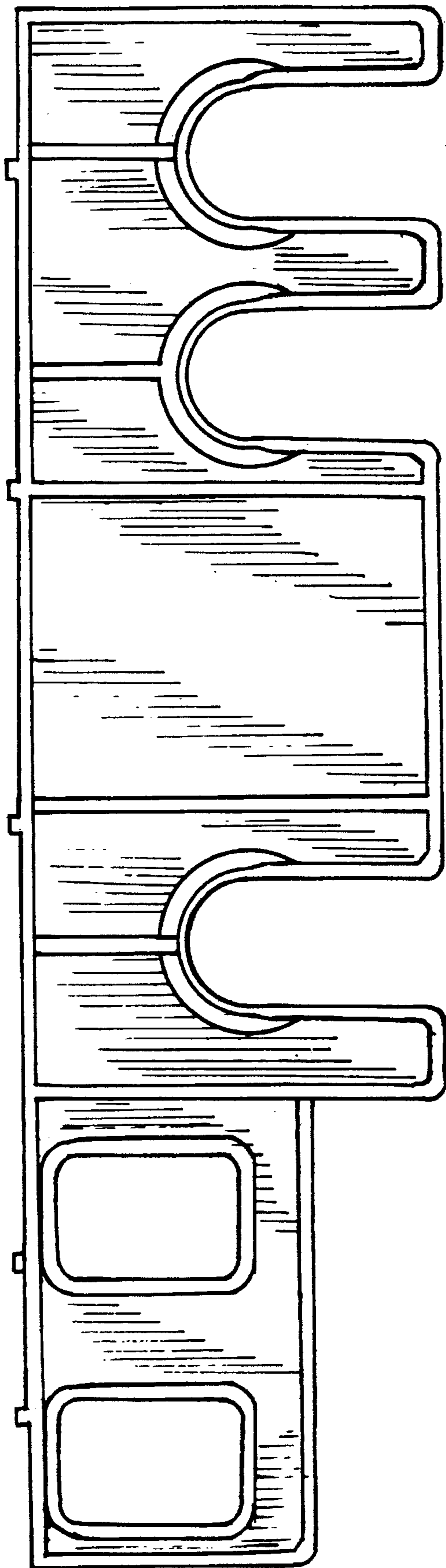


Fig. 6

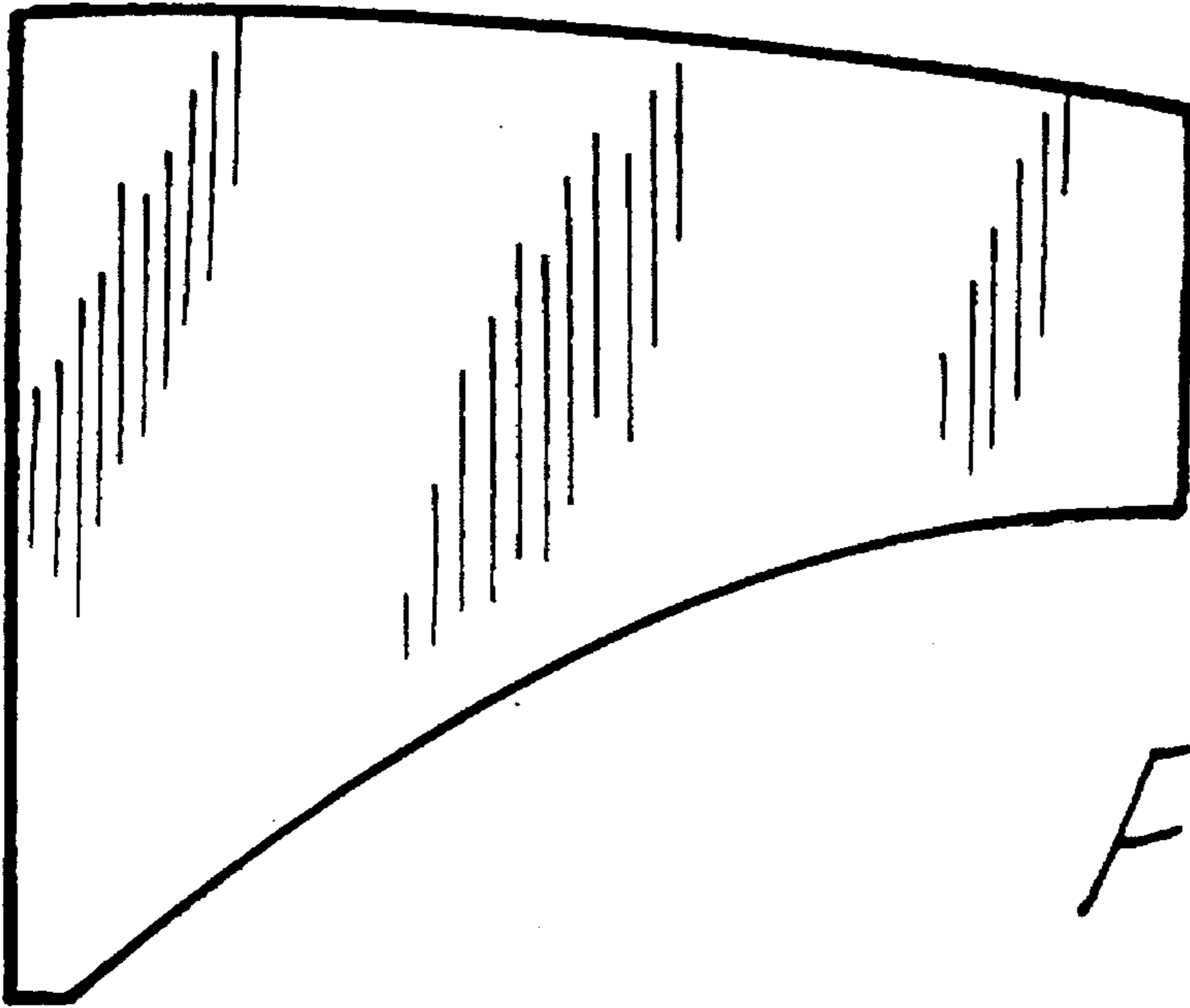


Fig. 7

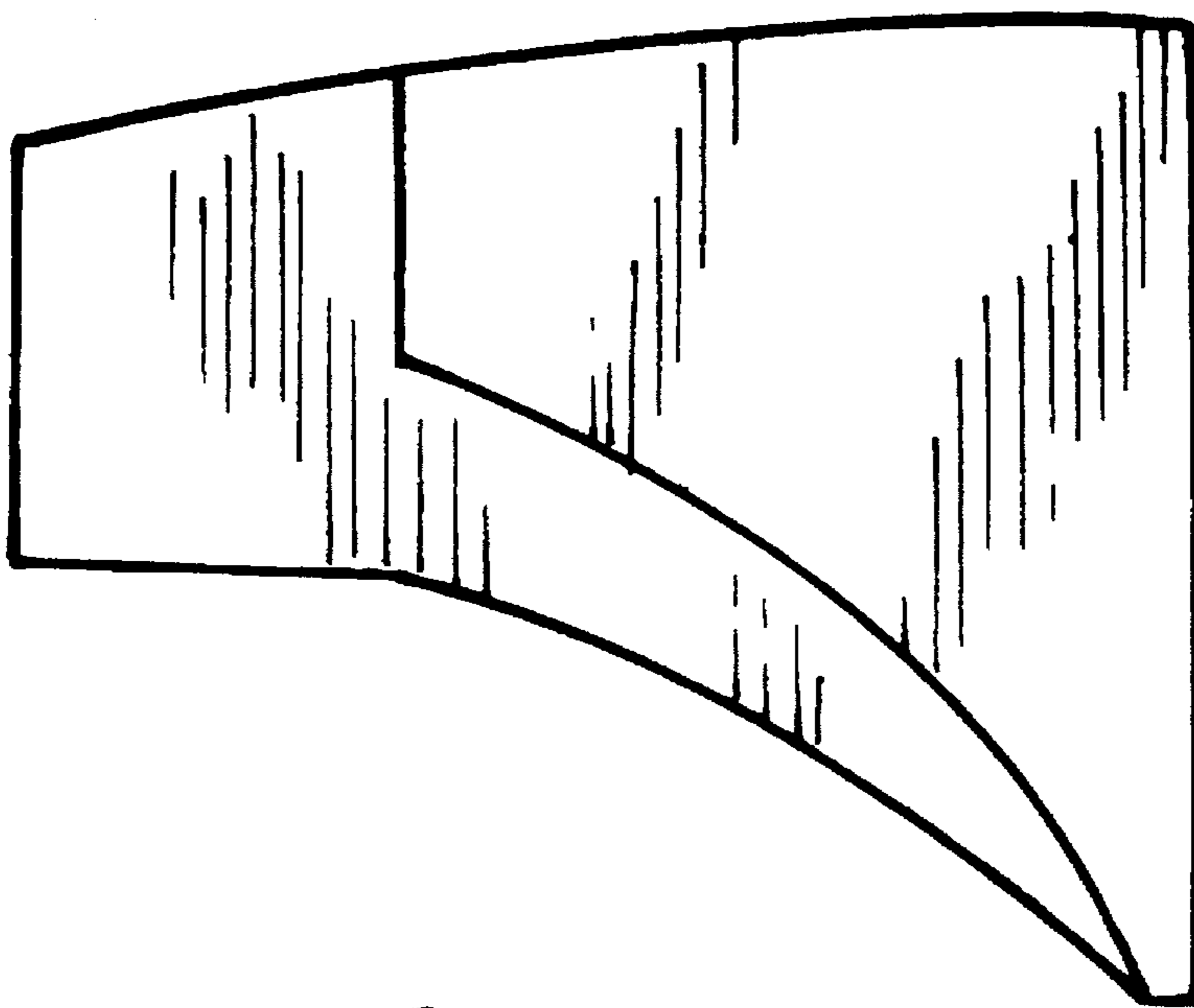


Fig. 8